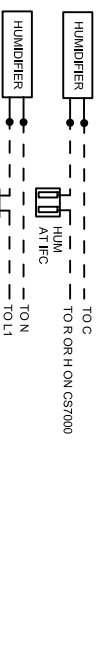
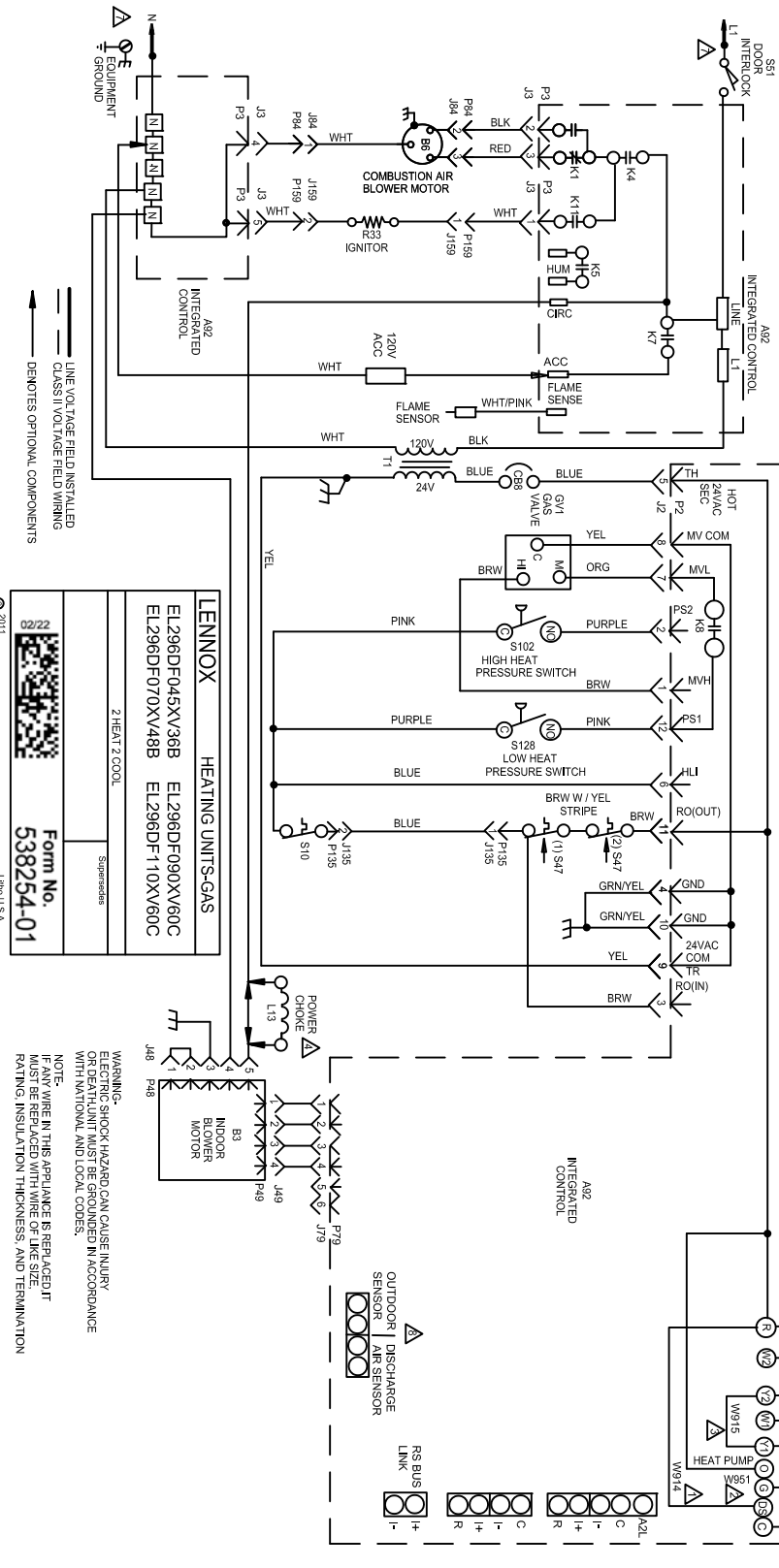


Blower Speed Chart		
UNIT	FACTORY SHIP/ED SETTINGS	SECONDARY USED
045XV36B	HEAT	COOL
070XV48B	COOL	ADJUST
090XV60C	FACTORY	FACTORY
110XV60C	HIGH	FACTORY
	1	

Character on / - (w/ dot ON)	Furnace Model	Circulator Motor Size
8	045XV36B	1/2 HP
9	070XV48B	3/4 HP
11	090XV60C	1 HP
U	110XV60C	1 HP



- ▲ DIP SWITCH FACTORY DEFAULT IS FOR A TWO STAGE THERMOSTAT
- ▲ FIELD SUPPLIED ACC WIRE
- ▲ USE COPPER CONDUCTORS ONLY
- ▲ DISCHARGE AND OUTDOOR AIR TERMINALS ARE FOR IONMOT USE ONLY
- ▲ THERMOSTAT CONNECTIONS ARE FOR COMMUNICATING SYSTEMS ONLY. REFER TO THERMOSTAT INSTALLATION INSTRUCTIONS FOR COMMUNICATING SYSTEMS.
- ▲ DH AND L TERMINALS ARE ONLY USED WITH Ionmot THERMOSTAT
- ▲ L13 USED ON 3/4 AND 1 HP ONLY
- ▲ THERMOSTAT HEAT ANTICIPATION SETTING: 65 AMP | HONEYWELL VALVE | 43 AMP | WHITE RODGERS VALVE
- ▲ TWO STAGE HEAT COOL: HEAT COOL | W915 | W914
- ▲ JUMPER W914 FROM DS TO R, AT A92 CONTROL BOARD, WHEN USED WITH Combosense 7000 THERMOSTAT
- ▲ CUT W914 JUMPER FROM O TO R, LABELED "HEAT PUMP", AT A92 CONTROL BOARD, WHEN USED FOR DUAL FUEL APPLICATIONS
- ▲ CUT W915 JUMPER FROM Y1 TO Y2 IS FACTORY INSTALLED ON A92 CONTROL BOARD, LEAVE IN FOR ONE STAGE COOL. REMOVE JUMPER FOR TWO STAGE COOL THERMOSTAT.
- ▲ L13 USED ON 3/4 AND 1 HP ONLY
- ▲ TYPICAL SYSTEM SHOWS FOR 2 HEAT/2 COOL, WITH A CONVENTIONAL THERMOSTAT. SEE INSTALLATION INSTRUCTIONS FOR CONNECTIONS TO OTHER EQUIPMENT AND ACCESSORIES.



LENNOX HEATING UNITS-GAS

EL296DF045XV36B EL296DF090XV60C
 EL296DF070XV48B EL296DF110XV60C

2 HEAT / 2 COOL

Supersedes

Form No. 538254-01

02/22

2011

Mfg. U.S.A.

WARNING:
 ELECTRIC SHOCK HAZARD CAN CAUSE INJURY OR DEATH. UNIT MUST BE GROUNDING IN ACCORDANCE WITH NATIONAL AND LOCAL CODES.

NOTE:
 IF ANY WIRE IN THIS APPLIANCE IS REPLACED IT MUST BE REPLACED WITH THE SAME SIZE, RATING, INSULATION THICKNESS, AND TERMINATION.

— LINE VOLTAGE FIELD INSTALLED
 - - - CLASS II VOLTAGE FIELD WIRING
 ← DEMOTES OPTIONAL COMPONENTS