



**ZCC**

**Raider® Rooftop Units**  
Standard Efficiency - 60 Hz

**COMMERCIAL  
PRODUCT SPECIFICATIONS**

Bulletin No. 210999  
October 2023  
Supersedes May 2023



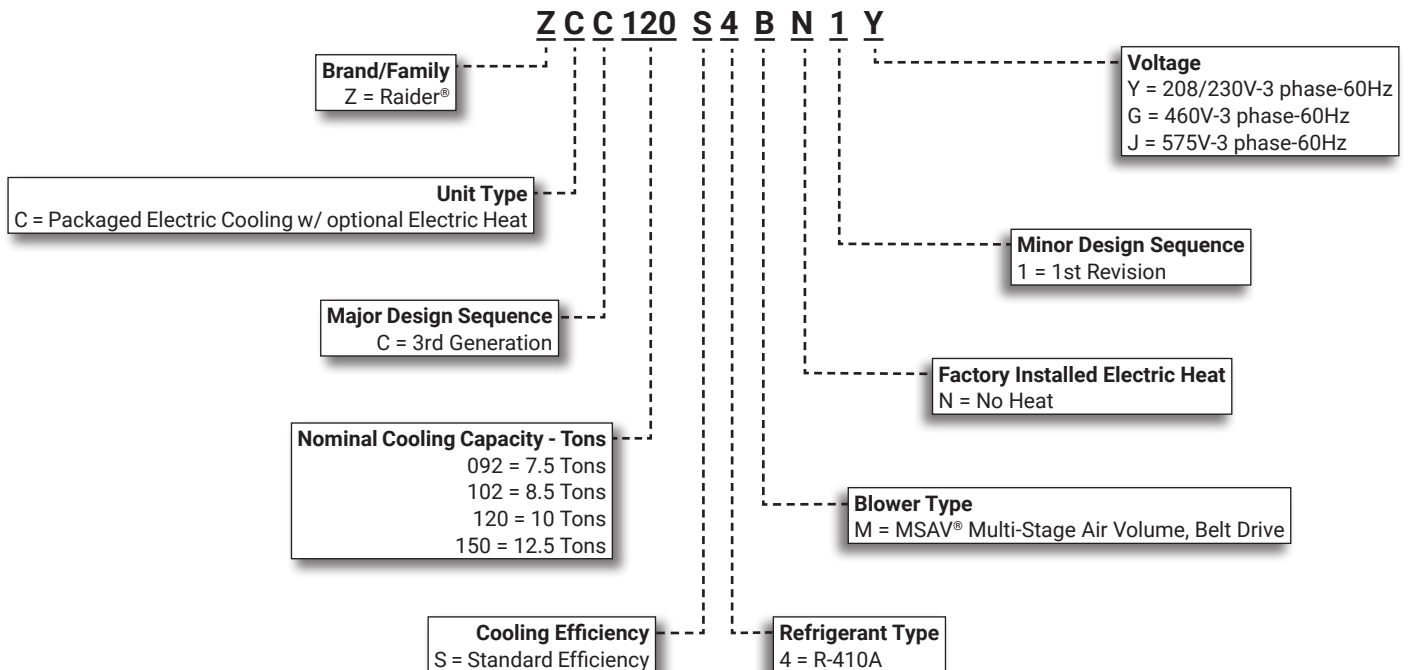
**RAIDER**



**ASHRAE 90.1  
COMPLIANT**

**7.5 to 12.5 Tons**  
**Net Cooling Capacity - 88,000 to 136,000 Btuh**  
**Optional Electric Heat - 7.5 to 60 kW**

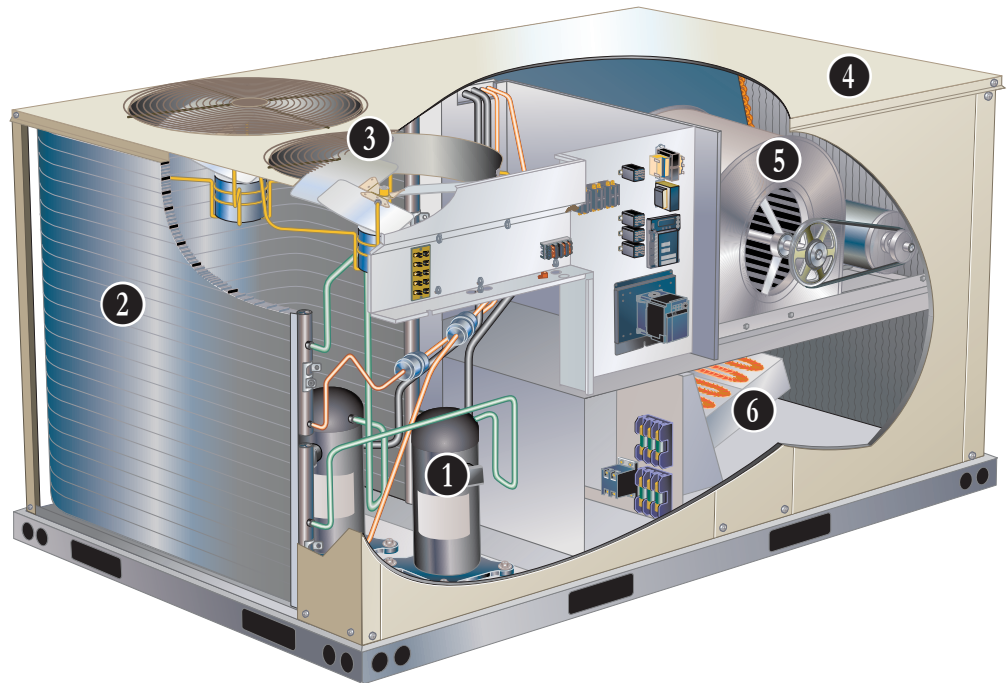
**MODEL NUMBER IDENTIFICATION**



## FEATURE HIGHLIGHTS

Raider® rooftop units from Lennox Commercial are the new standard for cost efficient reliable, efficient rooftop units built for long-lasting performance that can significantly improve indoor environments.

1. Scroll Compressors
2. Environ™ Coil System
3. Outdoor Coil Fans
4. Heavy Gauge Steel Cabinet
5. MSAV Multi-Stage Air Volume Blower
6. Electric Heat (option)



## CONTENTS

Approvals And Warranty . . . . .	3
Blower Data . . . . .	20
- 7.5 Ton   8.5 Ton . . . . .	20
- 10 Ton   12.5 Ton . . . . .	21
Dimensions . . . . .	31
- Accessories . . . . .	32
- Unit . . . . .	31
Electrical Accessories - Fuse Blocks . . . . .	28
Electrical/Electric Heat Data . . . . .	24
- 7.5 Ton . . . . .	24
- 8.5 Ton . . . . .	25
- 10 Ton . . . . .	26
- 12.5 Ton . . . . .	27
Electric Heat Capacities . . . . .	29
Features And Benefits . . . . .	3
Model Number Identification . . . . .	1
Optional Conventional Temperature Control Systems . . . . .	10
Options / Accessories . . . . .	12
Outdoor Sound Data . . . . .	29
Ratings . . . . .	16
Specifications . . . . .	15
Unit Clearances . . . . .	29
Weight Data . . . . .	30

## APPROVALS AND WARRANTY

### APPROVALS

- AHRI Standard 340/360 certified
- ETL Intertek listed
- Unit and components are ETL, NEC, and CEC bonded for grounding to meet safety standards for servicing
- All models are ASHRAE 90.1 energy efficiency compliant and meet or exceed requirements of Section 6.8
- All models meet DOE 2023 energy efficiency standards
- All models meet California Code of Regulations, Title 24 and ASHRAE 90.1 Section 6.4.3.10 requirements for staged airflow
- ISO 9001 Registered Manufacturing Quality System

### WARRANTY

- Compressors - Limited five years
- Environ™ Coil System - Limited three years
- Variable-Frequency Drive (VFD) - Limited five years
- High Performance Economizers (optional) - Limited five years
- All other covered components - Limited one year

## FEATURES AND BENEFITS

### COOLING SYSTEM

- Designed to maximize sensible and latent cooling performance at design conditions
- System can operate from 40°F to 125°F without any additional controls

#### R-410A Refrigerant

- Non-chlorine based
- Ozone friendly

#### 1 Scroll Compressors

- System consists of one two-stage scroll compressor and one single-stage scroll compressor
- Resiliently mounted on rubber grommets for quiet operation

#### Thermal Expansion Valves

- Circuit 1 - Two-stage (all models)
- Circuit 2 - Single-stage (150 model)
- Ensures optimal performance throughout the application range
- Removable element head

#### Refrigerant Metering Orifice

- Circuit 2 - Single-stage (092, 102, 120 models)
- Accurately meters refrigerant in system
- Refrigerant control is accomplished by exact sizing of refrigerant metering orifice

#### Filter/Driers

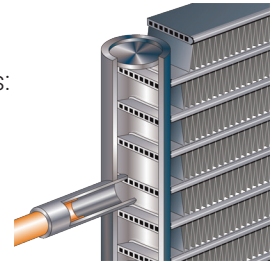
- High capacity filter/drier protects the system from dirt and moisture

#### High Pressure Switches

- Protects the compressor from overload conditions such as dirty condenser coils, blocked refrigerant flow or loss of outdoor fan operation

#### 2 Condenser Coil - Environ™ Coil System

- Lightweight, all aluminum brazed fin construction
- Constructed of three components:
  - A flat extrusion tube
  - Fins in-between the flat extrusion tube
  - Two refrigerant manifolds



#### Environ™ Coil System Features:

- Improved heat transfer performance due to high primary surface area (flat tubes) versus secondary surface (fins)
- Smaller internal volume (reduced refrigerant charge)
- High durability
- All aluminum construction
- Fewer brazed joints
- Compact design
- Reduced unit weight
- Easy maintenance/cleaning
- Mounting brackets with rubber inserts secure coil to unit providing vibration dampening and corrosion protection

#### Evaporator Coil

- Copper tube construction
- Enhanced rippled-edge aluminum fins
- Flared shoulder tubing connections
- Silver soldered construction
- Factory leak tested
- Cross-row circuiting with rifled tubing

## FEATURES AND BENEFITS

### **COOLING SYSTEM (continued)**

#### **Antimicrobial Condensate Drain Pan**

- Composite pan, sloped to meet drainage requirements of ASHRAE 62.1
- Antimicrobial additive resists growth of mold and mildew on drain pan, which improves indoor air quality and reduces drain line blockage
- Side or bottom drain connections

### **3 Outdoor Coil Fan Motors**

- Thermal overload protected
- Totally enclosed
- Permanently lubricated ball bearings
- Shaft up
- Wire basket mount

#### **Outdoor Coil Fans**

- PVC coated fan guard furnished

### **Required Selections**

#### **Cooling Capacity**

- Specify nominal cooling capacity

### **Options/Accessories**

#### **Field Installed**

##### **Condensate Drain Trap**

- Available in copper or PVC

##### **Drain Pan Overflow Switch**

- Monitors condensate level in drain pan
- Shuts down unit if drain becomes clogged

##### **Low Ambient Kit (0°F)**

##### **(Includes Compressor Crankcase Heater)**

- Cycles the outdoor fans while allowing compressor operation in the cooling cycle
- Intermittent fan operation allows the system to operate without icing the evaporator coil and losing capacity
- Designed for use in ambient temperatures no lower than 0°F
- Controls the compressor crankcase heaters

**NOTE** - Compressor crankcase heater is furnished with the kit and protects against refrigerant migration that can occur during low ambient operation.

### **CABINET**

#### **Construction**

- 4** • Heavy-gauge steel panels
- Full perimeter heavy-gauge galvanized steel base rail
- Base rails have rigging holes
- Three sides of the base rail have forklift slots
- Raised edges around duct and power entry openings in the bottom of the unit for water protection

#### **Airflow Choice**

- Units are shipped in downflow (vertical) return air flow configuration

**NOTE** - Units can be field converted to horizontal airflow.

#### **Duct Flanges**

- Provided for horizontal duct attachment

#### **Power Entry**

- Electrical lines can be routed through the unit base or through horizontal access knock-outs

**NOTE** - Optional Bottom Power Entry Kit is available.

#### **Exterior Panels**

- Constructed of heavy-gauge, galvanized steel
- Textured pre-paint with polyurethane finish
- Cyclic salt fog and UV exposure up to 1,680 hours per ASTM D5894

#### **Insulation**

- Fully insulated with non-hygroscopic fiberglass insulation (conditioned areas)

#### **Access Panels**

- Filter section
- Blower/heating section
- Compressor/controls section
- Recessed handles for easy service access

### **Options/Accessories**

#### **Factory Installed**

##### **Corrosion Protection**

- Completely flexible immersed coating
- Electrodeposited dry film process (AST ElectroFin E-Coat)
- ASTM B117 / DIN 53167 Salt Spray - 15,000+ hours
- ASTM G85 Annex A3 SWAAT Modified Salt Spray - 3000 hours
- VA Master Construction Specification Division 23 for High Humidity Installations
- CID AA-52474A (GSA)
- Indoor Corrosion Protection:
  - Coated coil
- Outdoor Corrosion Protection:
  - Coated coil

#### **Field Installed**

##### **Combination Coil/Hail Guards**

- Heavy gauge steel frame
- Painted to match cabinet
- Expanded metal mesh protects outdoor coil

## FEATURES AND BENEFITS

### **BLOWER**

A wide selection of supply air blower options are available to meet a variety of airflow requirements

#### **5 Blower Motor**

- Overload protected
- Ball bearings
- Available in several different sizes to maximize air performance

#### **Supply Air Blower**

- Forward curved blades
- Double inlet
- Blower wheel statically and dynamically balanced
- Ball bearings
- Adjustable pulley (allows speed change).
- Blower assembly slides out of unit for servicing

#### **MSAV Multi-Stage Air Volume Operation**

- MSAV Multi-Stage Air Volume stages the amount of airflow according to compressor stages, heating demand and ventilation demand
- Units utilize a Variable Frequency Drive (VFD) to stage the supply air blower airflow
- VFD alters the frequency and voltage of the power supply to the blower to control blower speed
- The supply air blower has three speeds:
  1. Low Speed - 1st Stage Cooling
  2. Medium Speed - 2nd Stage Cooling
  3. High Speed - Full load cooling and all heat modes
- Full speed blower operation is set by adjusting the motor pulley to deliver the desired air volume
- Ventilation speed is same as low speed for improved energy savings

**NOTE** - Part load airflow in cooling mode should not be set below 220 cfm/nominal full load ton to reduce the risk of evaporator coil freeze-up.

- VFD has an operational range of -40 to 125° F outdoor air ambient temperature

**NOTE** - Lower operating costs are obtained when the blower is operated on lower speeds.

#### **MSAV Multi-Stage Air Volume Sequence of Operation**

- Blower operates in low speed with (G) demand
- Blower operates in low speed for mechanical cooling (Y1)
- Blower operates in medium speed for any other mode (mechanical cooling (Y1+Y2)
- Blower operates in high speed for any other mode (mechanical cooling Y1+Y2+Y3, and heating)
- Economizer damper minimum position is fully closed in unoccupied mode
- In occupied mode, the economizer damper minimum position is determined by the economizer minimum position of the potentiometer

**NOTE** - Variable Frequency Drive (VFD) is designed to operate on balanced, three-phase power. Operating units on unbalanced three-phase power will reduce the reliability of all electrical components in the unit. Unbalanced power is a result of the power delivery system supplied by the local utility company. Factory-installed inverters are sized to drive blower motors with an equivalent current rating using balanced three-phase power. If unbalanced three-phase power is supplied the installer must replace the existing factory-installed inverter with an inverter that has a higher current rating to allow for the imbalance. Refer to the installation instructions for additional information and replacement information.  
Required Selections

#### **Required Selections**

- Order blower motor horsepower and drive kit number required when base unit is ordered
- See Drive Kit Specifications Table

#### **CONTROLS**

##### **Unit Control**

- All control voltage is provided via a 24V (secondary) transformer with built-in circuit breaker protection
- **Heat/Cool Staging** - Capable of up to 2 heat / 3 cool staging with a third party DDC control system or thermostat
- **Low Voltage Terminal Block** - Provides screw terminal connections for thermostat or controller wiring

#### **Options/Accessories**

##### **Field Installed**

##### **Smoke Detectors**

**NOTE** - Smoke detectors are not furnished and must be field supplied.

##### **Thermostats**

- Control system and thermostat options, see page 10.

## FEATURES AND BENEFITS

### **ELECTRICAL**

#### **Marked & Color-Coded Wiring**

- All electrical wiring is color-coded and marked to identify which components it is connecting

#### **Electrical Plugs**

- Positive connection electrical plugs are used to connect common accessories or maintenance parts for easy removal or installation

### **Required Selections**

#### **Voltage Choice**

- Specify when ordering base unit

### **Options/Accessories**

#### **Field Installed**

6

#### **Electric Heat**

- Helix wound nichrome elements
- Individual element limit controls
- Wiring harness

**NOTE** - See Options / Accessories tables for ordering information.

**NOTE** - Unit Fuse Block is required and must be ordered separately. See Electrical / Electric Heat tables for ordering information.

#### **Bottom Power Entry Kit**

- Reduces the number of penetrations in the roof
- Includes bulkhead connectors to provide power and control wiring routing through the roof curb

### **INDOOR AIR QUALITY**

#### **Air Filters**

- Disposable 2 inch MERV 4 filters furnished as standard

### **Options/Accessories**

#### **Field Installed**

#### **Replacement Filter Media Kit With Frame**

- Replaces existing pleated filter media
- Includes washable metal mesh screen and metal frame with clip for holding replaceable non-pleated filter

#### **Indoor Air Quality (CO<sub>2</sub>) Sensors**

- Monitors CO<sub>2</sub> levels
- Reports to the economizer control to adjust the dampers as needed

## OPTIONS / ACCESSORIES

### ECONOMIZER

#### Economizer

##### (Standard and High Performance Common Features)

- Downflow or Horizontal models with Barometric Relief Dampers and Hood
- Barometric Relief Dampers allow relief of excess air
- Aluminum blade dampers prevent blow back and outdoor air infiltration during off cycle
- Exhaust hood with bird screen furnished
- Occupied/Unoccupied mode with field furnished setback thermostat
- Demand Control Ventilation (DCV) ready using optional CO<sub>2</sub> sensors
- Single temperature control is furnished with Economizer
- Outdoor air temperature sensor enables Economizer if the outdoor temperature is less than the setpoint of the control

#### Field Installed

##### Standard Economizer Features (Not for Title 24)

- Gear-driven action
- Return air and outdoor air dampers
- Plug-in connections to unit
- Nylon bearings
- Neoprene seals
- 24-volt
- Fully-modulating spring return motor

##### Standard Economizer Control Module

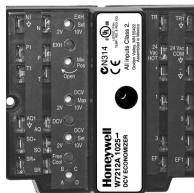
The Standard Economizer Control Module can be adjusted to operate based on outdoor air temperatures.

##### Economizer Controls:

- **Damper Minimum Position** - Can be set lower than traditional minimum air requirements resulting in cost savings
- **IAQ Sensor** - Signals dampers to modulate and maintain 55°F when CO<sub>2</sub> is higher than the CO<sub>2</sub> setpoint
- **Demand Control Ventilation (DCV) LED** - A steady green Demand Control Ventilation LED indicates the IAQ reading is higher than setpoint and requires more fresh air
- **Free Cool LED** - A steady green LED indicates outdoor air is suitable for free cooling

**NOTE** - Free Cooling runs when outdoor air temperature is lower than the set temperature on the economizer control.

**NOTE:** The Free Cooling default setting for outdoor air temperature sensor is 55°F.



#### Factory or Field Installed

**NOTE** - Downflow Economizer is factory or field installed. Horizontal Economizer is field installed only.

#### High Performance Economizer Features

- Approved for California Title 24 building standards
- Low leakage dampers are Air Movement and Control Association International (AMCA) Class 1A Certified - Maximum 3 CFM per sq. ft. leakage at 1 in. w.g.
- ASHRAE 90.1-2010 compliant
- Gear-driven action
- High torque 24-volt fully-modulating spring return damper motor
- Return air and outdoor air dampers
- Plug-in connections to unit
- Stainless steel bearings
- Enhanced thermoplastic vulcanizate (TPV) seals
- Flexible stainless steel jamb seals minimize air leakage

**NOTE** - Outdoor Air and Barometric Relief Exhaust Hoods are included when economizer is factory installed and are furnished when ordered for field installation.

**NOTE** - High Performance Economizers are not approved for use with differential enthalpy controls in Title 24 applications.

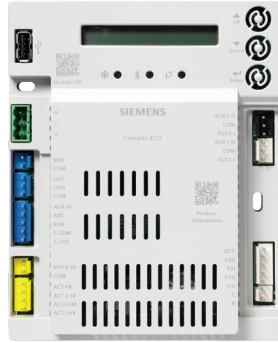
**NOTE** - The Free Cooling setpoint for Title 24 applications must be set based on the Climate Zone where the system is installed. See Section 140.4 "Prescriptive Requirements for Space Conditioning Systems" of the California Energy Commission's 2013 Building Energy Efficiency Standards. Refer to Installation Instructions for complete setup information and menu parameters available.

## OPTIONS / ACCESSORIES

### ECONOMIZER (continued)

#### High Performance Economizer Control Module

- Provides inputs and outputs to control economizer based on parameter settings
- Free cooling based on single dry bulb temperature, or combination temperature + humidity sensors
- Automatic switchover for different control modes
- Parameter settings based on climate zone, using GPS functionality in the Climatix Mobile application
- LED indication for free cooling operation, sensor operation and damper operation
- Quick installation and easy commissioning with the **Climatix Mobile App** on a mobile device



**NOTE** - WLAN Stick is required for App connection to module(s).

- Module displays any alarm messages (fault detection and diagnostics) as an aid in troubleshooting
- RS485 port for BACnet MSTP or Modbus RTU communication
- USB port for firmware updates and WLAN connection for setup and commissioning
- QR codes on module for quick access to download Climatix Mobile App and user documentation
- User Interface for normal operation, parameter setup and, alarm notifications with an LCD display and three operation buttons:
  1. **Up Button** - Move to the previous value, step or category
  2. **Down Button** - Move to the next value, step or category
  3. **Enter Button** -
    - Press to edit the current value or option
    - Press to confirm a newly selected value or option
    - Press Enter + Up to jump up one category
    - Press Enter + Down to jump down one category

**NOTE** - The Free Cooling setpoint for Title 24 applications must be set based on the Climate Zone where the system is installed. See Section 140.4 "Prescriptive Requirements for Space Conditioning Systems" of the California Energy Commission's 2013 Building Energy Efficiency Standards.

**NOTE** - Refer to Installation Instructions for complete setup information and menu parameters available.

### Field Installed

#### Single Enthalpy Temperature Control

- Outdoor air enthalpy sensor enables economizer if the outdoor enthalpy is less than the setpoint of the control

#### Differential Enthalpy Control (Not for Title 24)

- Order one for factory installed economizer
- Order two for field installed economizer
  - One is field installed in the return air section
  - One in the outdoor air section
- Allows the economizer control board to select between outdoor air or return air, whichever has lower enthalpy

#### WLAN Stick

- Required for Climatix Mobile App usage
- Plugs into USB port on Module to provide a temporary WLAN connection for setup, commissioning, and servicing

**NOTE** - Only one WLAN Stick is required and can be used on multiple modules.

### EXHAUST

#### Field Installed

#### Power Exhaust Fan

- Installs internal to unit for downflow applications only with Economizer option
- Provides exhaust air pressure relief
- Interlocked to run when supply air blower is operating
- Fan runs when outdoor air dampers are 50% open (adjustable)
- Motor is overload protected
- Fan is 20 in. diameter
- Five fan blades
- One 1/3 hp motor

**NOTE** - Requires Economizer and Downflow Barometric Relief Dampers.



## OPTIONS / ACCESSORIES

### **OUTDOOR AIR**

#### **Field Installed**

##### **Outdoor Air Damper**

- Downflow or Horizontal
- Linked mechanical dampers
- 0 to 25% (fixed) outdoor air adjustable
- Installs in unit
- Includes outdoor air hood
- Motorized model features fully modulating spring return damper motor with plug-in connection
- Manual model features a slide damper

**NOTE** - Maximum mixed air temperature in cooling mode is 100°F.

### **ROOF CURBS**

#### **Field Installed**

##### **Hybrid Roof Curbs, Downflow**

- Nailer strip furnished; mates to unit
- US National Roofing Contractors approved
- Shipped knocked down
- Interlocking tabs fasten corners together
- No tools required for assembly
- Can also be fastened together with furnished hardware
- Available in 8, 14, 18, and 24 inch heights

##### **Adaptor Curbs (not shown)**

- Curbs are regionally sourced
- Dimensions will vary based upon the source

**NOTE** - Contact your local sales representative for a detailed cut sheet with applicable dimensions.

### **CEILING DIFFUSERS**

#### **Field Installed**

- Flush or Step-Down
- White powder coat finish on diffuser face and grilles
- Insulated UL listed duct liner
- Diffuser box has collars for duct connection
- Step-down diffusers have double deflection blades
- Flush diffusers have fixed blades
- Provisions for suspending
- Internally sealed to prevent recirculation
- Removable return air grille
- Adapts to T-bar ceiling grids or plaster ceilings

#### **Transitions (Supply and Return)**

**NOTE** - Ceiling Diffuser Transitions are not furnished and must be field fabricated.

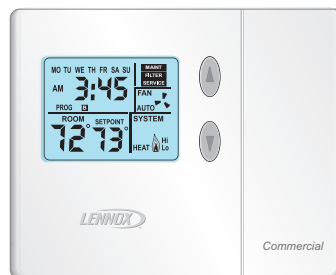
## OPTIONAL CONVENTIONAL TEMPERATURE CONTROL SYSTEMS

### CS7500 Commercial 7-Day Programmable Thermostat



- Premium Universal Thermostat
- Full Color Touchscreen Interface
- Up To 4 Heat / 3 Cool
- Built-In Sensors For Temperature and Humidity
- Remote Sensors Options For Temperature, Discharge Air, Outdoor Air
- 5-2 or 7-Day Scheduling
- Smooth Setback Recovery
- Heat/Cool Auto-Changeover
- FDD, ASHRAE, IECC Compliant

### CS3000 Commercial 5-2 Day Programmable Thermostat



- Conventional Multi-Stage Thermostat
- Intuitive Display
- Push-Button Operation
- Up To 2 Heat / 2 Cool
- Built-In Temperature Sensor
- Remote Temperature Sensing
- Up to 5-2 Day Scheduling
- Smooth Setback Recovery
- Heat/Cool Auto-changeover

#### Optional Accessories

##### Cooling Stage-Up Timer Relay

- Allows the unit to attain an additional stage of cooling without the need for extra thermostat connections
- Adjustable - 1 to 1023 seconds
- Mounts internal to unit

## OPTIONAL CONVENTIONAL TEMPERATURE CONTROL SYSTEMS

### BACnet Compatible Thermostat With Reheat



- 7-Day Programmable
- For units with or without Humiditrol®
- BTL listed MS/TP ensures compatibility with any BACnet system
- Built-in control programs for conventional and heat pump applications
- Conventional systems up to 3-stage heat and 3-stage cool
- Heat pumps with 1 or 2 compressors and up to 2-stage auxiliary heat
- On-board temperature and humidity sensor
- Multiple configurable inputs and outputs enable advanced control strategies
- Set-up Wizard enables rapid system configuration
- No special tools required for installation or commissioning
- Seven-day (2, 4 or 6 event) occupancy scheduling per day
- Backlit 5-inch LCD touchscreen

Description	Catalog No.	
<b>CS7500 Commercial 7-Day Programmable Thermostat</b>		
CS7500 7-Day Thermostat	<b>24K41</b>	
Sensors/Accessories	<sup>1</sup> Remote non-adjustable wall-mount 20k	<b>47W36</b>
	<sup>1</sup> Remote non-adjustable wall-mount 10k	<b>47W37</b>
	Remote non-adjustable discharge air (duct mount)	<b>19L22</b>
	Outdoor temperature sensor	<b>X2658</b>
<b>CS3000 5-2 Day Programmable Thermostat</b>		
CS3000 5-2 Day Thermostat	<b>11Y05</b>	
Sensor/Accessories	Remote non-adjustable wall mount 10k averaging	<b>47W37</b>
	Thermostat wall mounting plate	<b>X2659</b>
<b>Optional Accessory</b>		
	Cooling Stage-Up Timer Relay	<b>24G40</b>
<b>BACnet 7-Day Programmable Thermostat</b>		
BACnet Controls	<sup>2</sup> 7-Day BACnet Thermostat	<b>24C57</b>
	<sup>3</sup> BACnet Module (factory or field)	<b>16X71</b>
<sup>4</sup> BACnet Room Sensors	With Display	<b>97W23</b>
	Without Display	<b>97W24</b>
<b>Universal Thermostat Guard with Lock (clear)</b>		
	Inside Dimensions (H x W x D) 5-7/8 x 8-3/8 x 3 in.	<b>39P21</b>

<sup>1</sup> Remote wall-mount sensors can be applied in any of the following combinations:  
 One Sensor - (1) 47W36, Two Sensors - (2) 47W37, Three Sensors - (2) 47W36 and (1) 47W37  
 Four Sensors - (4) 47W36, Five Sensors - (3) 47W36 and (2) 47W37

<sup>2</sup> BACnet Thermostat (24C57) will control units with and without the Humiditrol® option. If there is a mix of units equipped with and without Humiditrol on the same site, this thermostat can be used for all units if suitable.

<sup>3</sup> Not compatible with units equipped with Humiditrol® option.

<sup>4</sup> Only compatible with BACnet Module (16X71).

## OPTIONS / ACCESSORIES

Item Description	Catalog Number	Unit Model No				
		092	102	120	150	
<b>COOLING SYSTEM</b>						
Condensate Drain Trap	PVC	<b>22H54</b>	X	X	X	X
	Copper	<b>76W27</b>	X	X	X	X
Corrosion Protection	Factory		O	O	O	O
Drain Pan Overflow Switch		<b>99W59</b>	X	X	X	X
Low Ambient Kit (Includes Compressor Crankcase Heater)	208/230V-3ph	<b>10Z35</b>	X	X		
	460V-3ph	<b>10Z36</b>	X	X		
	575V-3ph	<b>10Z37</b>	X	X		
	208/230V-3ph	<b>10Z50</b>			X	X
	460V-3ph	<b>10Z51</b>			X	X
	575V-3ph	<b>10Z52</b>			X	X
Refrigerant Type		R-410A	O	O	O	O
<b>BLOWER - SUPPLY AIR</b>						
Blower Motors	Belt Drive - 2 hp	Factory	O	O	O	O
	Belt Drive - 3 hp	Factory	O	O	O	O
	Belt Drive - 5 hp	Factory	O	O	O	O
Drive Kits See Blower Data Tables for selection	Kit #1 590-890 rpm	Factory	O	O	O	O
	Kit #2 800-1105 rpm	Factory	O	O	O	O
	Kit #3 795-1195 rpm	Factory	O	O	O	O
	Kit #4 730-970 rpm	Factory	O	O	O	O
	Kit #5 940-1200 rpm	Factory	O	O	O	O
	Kit #6 1015-1300 rpm	Factory	O	O	O	O
	Kit #10 900-1135 rpm	Factory	O	O	O	O
	Kit #11 1040-1315 rpm	Factory	O	O	O	O
	Kit #12 1125-1425 rpm	Factory	O	O	O	O
<b>CABINET</b>						
Combination Coil/Hail Guards		<b>12X21</b>	X	X	X	X
<b>CONTROLS</b>						

**NOTE - See Conventional Thermostat Control Systems on page 10 for Additional Options.**

NOTE - Catalog numbers shown are for ordering field installed accessories.

OX - Configure To Order (Factory Installed) or Field Installed

O = Configure To Order (Factory Installed)

X = Field Installed

## OPTIONS / ACCESSORIES

Item Description	Catalog Number	Unit Model No				
		092	102	120	150	
<b>INDOOR AIR QUALITY</b>						
<b>Air Filters</b>						
Replacement Media Filter With Metal Mesh Frame (includes non-pleated filter media)	<b>Y3063</b>	X	X	X	X	
<b>Indoor Air Quality (CO<sub>2</sub>) Sensors</b>						
Sensor - Wall-mount, off-white plastic cover with LCD display	<b>77N39</b>	X	X	X	X	
Sensor - Wall-mount, off-white plastic cover, no display	<b>23V86</b>	X	X	X	X	
Sensor - Black plastic case with LCD display, rated for plenum mounting	<b>87N52</b>	X	X	X	X	
Sensor - Wall-mount, black plastic case, no display, rated for plenum mounting	<b>87N54</b>	X	X	X	X	
CO <sub>2</sub> Sensor Duct Mounting Kit - for downflow applications	<b>85L43</b>	X	X	X	X	
Aspiration Box - for duct mounting non-plenum rated CO <sub>2</sub> sensors ( <b>77N39</b> )	<b>90N43</b>	X	X	X	X	
<b>ELECTRICAL</b>						
Voltage 60 Hz	208/230V - 3 phase	Factory	O	O	O	O
	460V - 3 phase	Factory	O	O	O	O
	575V - 3 phase	Factory	O	O	O	O
Bottom Power Entry Kit	<b>11H66</b>	X	X	X	X	
<b>ELECTRIC HEAT</b>						
7.5 kW	208/240V-3ph	<b>10Y97</b>	X	X		
	460V-3ph	<b>10Y98</b>	X	X		
	575V-3ph	<b>10Y99</b>	X	X		
15 kW	208/240V-3ph	<b>10Z01</b>	X	X	X	X
	460V-3ph	<b>10Z03</b>	X	X	X	X
	575V-3ph	<b>10Z04</b>	X	X	X	X
22.5 kW	208/240V-3ph	<b>10Z05</b>	X	X	X	X
	460V-3ph	<b>10Z06</b>	X	X	X	X
	575V-3ph	<b>10Z07</b>	X	X	X	X
30 kW	208/240V-3ph	<b>10Z08</b>	X	X	X	X
	460V-3ph	<b>10Z09</b>	X	X	X	X
	575V-3ph	<b>10Z10</b>	X	X	X	X
45 kW	208/240V-3ph	<b>10Z11</b>	X	X	X	X
	460V-3ph	<b>10Z12</b>	X	X	X	X
	575V-3ph	<b>10Z13</b>	X	X	X	X
60 kW	208/240V-3ph	<b>10Z14</b>			X	X
	460V-3ph	<b>10Z15</b>			X	X
	575V-3ph	<b>10Z16</b>			X	X
<b>ELECTRIC HEAT ACCESSORIES</b>						
Unit Fuse Block (required) - See Electrical Accessories table for Selection on page 28			X	X	X	X

NOTE - Catalog numbers shown are for ordering field installed accessories.

OX - Configure To Order (Factory Installed) or Field Installed

O = Configure To Order (Factory Installed)

X = Field Installed

## OPTIONS / ACCESSORIES

Item Description	Catalog Number	Unit Model No				
		092	102	120	150	
<b>ECONOMIZER</b>						
<b>Standard Economizer (Not for Title 24)</b>						
Standard Downflow Economizer with Single Temperature Control - With Barometric Relief Dampers and Air Hoods	24K57	X	X	X	X	
Standard Horizontal Economizer with Single Temperature Control - With Barometric Relief Dampers and Air Hoods	24K58	X	X	X	X	
<b>Standard Economizer Controls (Not for Title 24)</b>						
Single Enthalpy Control	21Z09	X	X	X	X	
Differential Enthalpy Control (order 2)	21Z09	X	X	X	X	
<b>High Performance Economizer (Approved for California Title 24 Building Standards / AMCA Class 1A Certified)</b>						
High Performance Downflow Economizer with Single Temperature Control - With Barometric Relief Dampers and Air Hoods	24F99	OX	OX	OX	OX	
High Performance Horizontal Economizer with Single Temperature Control - With Barometric Relief Dampers and Air Hoods	24G01	X	X	X	X	
<b>High Performance Economizer Controls</b>						
Single Enthalpy Control	24G11	X	X	X	X	
Differential Enthalpy Control (order 2) (Not for Title 24)	24G11	X	X	X	X	
<b>Economizer Accessories</b>						
WLAN Stick (For High Performance Economizer only)	23K58	X	X	X	X	
<b>OUTDOOR AIR</b>						
<b>Outdoor Air Dampers</b>						
Motorized Dampers with outdoor air hood	14G36	X	X	X	X	
Manual Dampers with outdoor air hood	14G37	X	X	X	X	
<b>POWER EXHAUST</b>						
Standard Static (Downflow)	208/230V-3ph	10Z70	X	X	X	X
	460V-3ph	10Z71	X	X	X	X
Standard Static (Horizontal)	208/230V-3ph	24E01	X	X	X	X
	460V-3ph	28E01	X	X	X	X
575V Transformer Kit	575V-3ph	59E02	X	X	X	X
NOTE - Order 575V Transformer Kit with 208/230V Power Exhaust Fan for 575V applications. Order two kits for downflow models, order one kit for horizontal models.						
<b>ROOF CURBS</b>						
<b>Hybrid Roof Curbs, Downflow</b>						
8 in. height		10Z25	X	X	X	X
14 in. height		10Z26	X	X	X	X
18 in. height		10Z27	X	X	X	X
24 in. height		10Z28	X	X	X	X
<b>CEILING DIFFUSERS</b>						
Step-Down - Order one	RTD11-95S	13K61	X			
	RTD11-135S	13K62		X	X	
	RTD11-185S	13K63				X
Flush - Order one	FD11-95S	13K56	X			
	FD11-135S	13K57		X	X	
	FD11-185S	13K58				X

NOTE - Ceiling Diffuser Transitions are not furnished and must be field fabricated.

NOTE - Catalog numbers shown are for ordering field installed accessories.

OX - Configure To Order (Factory Installed) or Field Installed

O = Configure To Order (Factory Installed)

X = Field Installed

## SPECIFICATIONS

General Data		Nominal Tonnage	7.5 Ton	8.5 Ton	10 Ton	12.5 Ton
		Model Number	ZCC092S4M	ZCC102S4M	ZCC120S4M	ZCC150S4M
		Efficiency Type	Standard	Standard	Standard	Standard
		Blower Type	MSAV® Multi-Stage Air Volume	MSAV® Multi-Stage Air Volume	MSAV® Multi-Stage Air Volume	MSAV® Multi-Stage Air Volume
<b>Cooling Performance</b>	Gross Cooling Capacity - Btuh		89,700	100,200	118,200	140,200
	<sup>1</sup> Net Cooling Capacity - Btuh		88,000	98,000	115,000	136,000
	AHRI Rated Air Flow - cfm		2400	2800	3200	3800
	Total Unit Power - kW		7.8	8.8	10.2	12.1
	<sup>1</sup> EER (Btuh/Watt)		11.2	11.2	11.2	11.0
	<sup>1</sup> IEER (Btuh/Watt)		14.8	14.8	14.8	14.2
<b>Refrigerant Charge Furnished</b>	Refrigerant Type		R-410A	R-410A	R-410A	R-410A
	Circuit 1		5 lbs. 14 oz.	5 lbs. 10 oz.	5 lbs. 1 oz.	7 lbs. 0 oz.
	Circuit 2		3 lbs. 4 oz.	3 lbs. 6 oz.	5 lbs. 4 oz.	6 lbs. 1 oz.
<b>Electric Heat Available - See page 13</b>			7.5, 15, 22.5, 30 & 45 kW		15, 22.5, 30, 45 and 60 KW	
<b>Compressor Type (number)</b>			(1) Two-Stage Scroll, (1) Single-Stage Scroll			
<b>Outdoor Coils</b>	Net face area (total) - sq. ft.		20.9	20.9	28.0	28.0
	Number of rows		1	1	1	1
	Fins per inch		23	23	23	20
<b>Outdoor Coil Fans</b>	Motor - (No.) hp		(2) 1/3	(2) 1/3	(2) 1/2	(2) 1/2
	Motor rpm		1075	1075	1075	1075
	Total Motor watts		740	740	930	950
	Diameter - (No.) in.		(2) 24	(2) 24	(2) 24	(2) 24
	Number of blades		3	3	3	3
	Total Air volume - cfm		8800	8800	9600	9600
<b>Indoor Coils</b>	Net face area (total) - sq. ft.		13.54	13.54	13.54	13.54
	Tube diameter - in.		3/8	3/8	3/8	3/8
	Number of rows		3	3	4	4
	Fins per inch		14	14	14	14
	Drain connection - Number and size		(1) 1 in. NPT coupling			
	Expansion device type		Circuit 1 - Balanced Port Thermostatic Expansion Valve, removable element head Circuit 2 - Refrigerant Metering Orifice		Both Circuits - Balanced Port Thermostatic Expansion Valve, removable element head	
<sup>2</sup> <b>Indoor Blower and Drive Selection</b>	Nominal motor output		2 hp, 3 hp, 5 hp			
	Motor - Drive kit number		2 hp Kit 1 590-890 rpm Kit 2 800-1105 rpm Kit 3 795-1195 rpm 3 hp Kit 4 730-970 rpm Kit 5 940-1200 rpm Kit 6 1015-1300 rpm 5 hp Kit 10 900-1135 rpm Kit 11 1040-1315 rpm Kit 12 1125-1425 rpm			
	Blower wheel nominal diameter x width - in.		(1) 15 X 15			
<b>Filters</b>	Type of filter		Disposable			
	Number and size - in.		(4) 20 x 24 x 2			
<b>Electrical characteristics</b>			208/230V, 460V or 575V - 60 hertz - 3 phase			

NOTE - Net capacity includes evaporator blower motor heat deduction. Gross capacity does not include evaporator blower motor heat deduction.

<sup>1</sup> AHRI Certified to AHRI Standard 340/360; 95°F outdoor air temperature and 80°F db/67°F wb entering evaporator air; minimum external duct static pressure.

<sup>2</sup> Using total air volume and system static pressure requirements determine from blower performance tables rpm and motor output required. Maximum usable output of motors furnished are shown. If motors of comparable output are used, be sure to keep within the service factor limitations outlined on the motor nameplate.

NOTE - Motor service factor limit - 1.0.

# RATINGS

NOTE - For Temperatures and Capacities not shown in tables, see bulletin - Cooling Unit Rating Table Correction Factor Data in Miscellaneous Engineering Data section.

## 7.5 TON - ZCC092S4M (1 COMPRESSOR - PART LOAD)

Entering Wet Bulb Temperature	Total Air Volume	Outdoor Air Temperature Entering Outdoor Coil																							
		65°F						75°F						85°F						95°F					
		Total Cool Cap.	Comp. Motor Input	Sensible To Total Ratio (S/T)			Total Cool Cap.	Comp. Motor Input	Sensible To Total Ratio (S/T)			Total Cool Cap.	Comp. Motor Input	Sensible To Total Ratio (S/T)			Total Cool Cap.	Comp. Motor Input	Sensible To Total Ratio (S/T)						
				Dry Bulb					Dry Bulb					Dry Bulb					Dry Bulb						
cfm	kBtuh	kW	75°F	80°F	85°F	kBtuh	kW	75°F	80°F	85°F	kBtuh	kW	75°F	80°F	85°F	kBtuh	kW	75°F	80°F	85°F					
63°F	1600	49.2	1.72	0.76	0.92	1	46.4	2.01	0.77	0.94	1	43.3	2.33	0.79	0.97	1	39.9	2.7	0.81	1	1				
	1980	51.8	1.71	0.82	1	1	49	1.99	0.83	1	1	46	2.32	0.85	1	1	42.7	2.68	0.88	1	1				
	2360	54.4	1.69	0.87	1	1	51.6	1.98	0.89	1	1	48.4	2.31	0.92	1	1	44.9	2.68	0.96	1	1				
67°F	1600	52.1	1.71	0.6	0.74	0.88	49.2	1.99	0.6	0.75	0.9	45.9	2.32	0.6	0.77	0.93	42.4	2.69	0.61	0.78	0.97				
	1980	54.6	1.69	0.63	0.8	0.97	51.5	1.98	0.63	0.81	0.99	48.1	2.31	0.64	0.83	1	44.2	2.68	0.66	0.86	1				
	2360	56.4	1.68	0.66	0.85	1	53.2	1.97	0.67	0.87	1	49.5	2.3	0.68	0.9	1	45.7	2.67	0.7	0.94	1				
71°F	1600	54.8	1.69	0.44	0.58	0.72	51.8	1.98	0.43	0.59	0.73	48.5	2.31	0.43	0.59	0.74	44.8	2.68	0.42	0.6	0.76				
	1980	57.5	1.67	0.46	0.62	0.77	54.3	1.97	0.45	0.63	0.79	50.7	2.29	0.45	0.64	0.81	46.9	2.67	0.45	0.65	0.84				
	2360	59.4	1.66	0.47	0.66	0.83	56.1	1.96	0.47	0.66	0.85	52.4	2.29	0.47	0.68	0.88	48.3	2.66	0.47	0.69	0.91				

## 7.5 TON - ZCC092S4M (2 COMPRESSORS - PART LOAD / FULL LOAD)

Entering Wet Bulb Temperature	Total Air Volume	Outdoor Air Temperature Entering Outdoor Coil																							
		85°F						95°F						105°F						115°F					
		Total Cool Cap.	Comp. Motor Input	Sensible To Total Ratio (S/T)			Total Cool Cap.	Comp. Motor Input	Sensible To Total Ratio (S/T)			Total Cool Cap.	Comp. Motor Input	Sensible To Total Ratio (S/T)			Total Cool Cap.	Comp. Motor Input	Sensible To Total Ratio (S/T)						
				Dry Bulb					Dry Bulb					Dry Bulb					Dry Bulb						
cfm	kBtuh	kW	75°F	80°F	85°F	kBtuh	kW	75°F	80°F	85°F	kBtuh	kW	75°F	80°F	85°F	kBtuh	kW	75°F	80°F	85°F					
63°F	1800	71.4	4.43	0.66	0.79	0.9	65.9	5.09	0.66	0.81	0.92	60.1	5.83	0.67	0.82	0.95	54.1	6.65	0.69	0.85	0.99				
	2250	76.7	4.42	0.7	0.85	0.97	71.1	5.09	0.71	0.87	0.99	65	5.83	0.73	0.89	1	58.5	6.65	0.75	0.92	1				
	2700	81	4.42	0.75	0.9	1	75.1	5.08	0.78	0.92	1	68.6	5.82	0.8	0.96	1	61.8	6.65	0.82	0.99	1				
67°F	1800	76.6	4.42	0.52	0.65	0.76	71	5.09	0.52	0.64	0.77	64.7	5.82	0.52	0.65	0.79	58	6.65	0.51	0.66	0.81				
	2250	81.6	4.41	0.56	0.68	0.82	75.3	5.07	0.55	0.69	0.84	68.6	5.82	0.56	0.72	0.86	61.4	6.64	0.55	0.74	0.89				
	2700	84.8	4.41	0.57	0.73	0.87	78.4	5.07	0.58	0.75	0.89	71.5	5.81	0.58	0.77	0.92	64.2	6.64	0.59	0.8	0.96				
71°F	1800	81.8	4.41	0.39	0.51	0.62	75.8	5.07	0.39	0.51	0.62	69.4	5.82	0.36	0.5	0.63	62.6	6.63	0.35	0.51	0.64				
	2250	86.8	4.4	0.41	0.54	0.67	80.5	5.07	0.4	0.54	0.67	73.7	5.81	0.39	0.55	0.68	66.6	6.64	0.36	0.54	0.71				
	2700	90.7	4.39	0.41	0.57	0.71	84	5.06	0.42	0.57	0.73	76.9	5.81	0.4	0.58	0.75	69.2	6.64	0.4	0.59	0.78				

## 7.5 TON - ZCC092S4M (2 COMPRESSORS - FULL LOAD)

Entering Wet Bulb Temperature	Total Air Volume	Outdoor Air Temperature Entering Outdoor Coil																							
		85°F						95°F						105°F						115°F					
		Total Cool Cap.	Comp. Motor Input	Sensible To Total Ratio (S/T)			Total Cool Cap.	Comp. Motor Input	Sensible To Total Ratio (S/T)			Total Cool Cap.	Comp. Motor Input	Sensible To Total Ratio (S/T)			Total Cool Cap.	Comp. Motor Input	Sensible To Total Ratio (S/T)						
				Dry Bulb					Dry Bulb					Dry Bulb					Dry Bulb						
cfm	kBtuh	kW	75°F	80°F	85°F	kBtuh	kW	75°F	80°F	85°F	kBtuh	kW	75°F	80°F	85°F	kBtuh	kW	75°F	80°F	85°F					
63°F	2400	91.4	5.41	0.69	0.81	0.93	85.8	6.1	0.69	0.82	0.95	80	6.9	0.7	0.84	0.97	73.8	7.81	0.7	0.86	0.99				
	3000	97.3	5.46	0.74	0.87	0.99	91.3	6.15	0.74	0.89	1	85.1	6.94	0.76	0.91	1	78.4	7.86	0.78	0.94	1				
	3600	101.8	5.5	0.78	0.93	1	95.4	6.19	0.8	0.95	1	88.7	6.98	0.81	0.98	1	81.8	7.89	0.83	1	1				
67°F	2400	96.7	5.45	0.54	0.66	0.78	90.4	6.14	0.53	0.68	0.79	84	6.93	0.53	0.69	0.81	77.4	7.84	0.53	0.69	0.83				
	3000	101.6	5.5	0.56	0.72	0.84	95.1	6.18	0.58	0.72	0.86	88.4	6.97	0.58	0.75	0.88	81.5	7.89	0.58	0.75	0.91				
	3600	105.2	5.54	0.59	0.77	0.9	98.8	6.22	0.61	0.77	0.92	91.8	7.01	0.61	0.79	0.95	84.7	7.92	0.61	0.81	0.98				
71°F	2400	102.5	5.51	0.4	0.53	0.65	96.2	6.19	0.39	0.53	0.64	89.7	6.99	0.39	0.53	0.65	82.7	7.9	0.37	0.53	0.67				
	3000	108	5.56	0.41	0.56	0.7	101.2	6.25	0.41	0.56	0.71	94.3	7.04	0.41	0.56	0.72	86.7	7.95	0.4	0.57	0.74				
	3600	111.8	5.61	0.43	0.59	0.74	104.7	6.29	0.43	0.59	0.76	97.4	7.07	0.43	0.6	0.77	89.4	7.98	0.42	0.62	0.8				



# RATINGS

NOTE – For Temperatures and Capacities not shown in tables, see bulletin – Cooling Unit Rating Table Correction Factor Data in Miscellaneous Engineering Data section.

## 8.5 TON - ZCC102S4M (1 COMPRESSOR - PART LOAD)

Entering Wet Bulb Temperature	Total Air Volume	Outdoor Air Temperature Entering Outdoor Coil																							
		65°F						75°F						85°F						95°F					
		Total Cool Cap.	Comp. Motor Input	Sensible To Total Ratio (S/T)			Total Cool Cap.	Comp. Motor Input	Sensible To Total Ratio (S/T)			Total Cool Cap.	Comp. Motor Input	Sensible To Total Ratio (S/T)			Total Cool Cap.	Comp. Motor Input	Sensible To Total Ratio (S/T)						
				Dry Bulb					Dry Bulb					Dry Bulb					Dry Bulb						
cfm	kBtuh	kW	75°F	80°F	85°F	kBtuh	kW	75°F	80°F	85°F	kBtuh	kW	75°F	80°F	85°F	kBtuh	kW	75°F	80°F	85°F					
63°F	1800	50.6	1.75	0.79	0.96	1	47.8	2.04	0.8	0.99	1	44.7	2.38	0.82	1	1	41.5	2.75	0.85	1	1				
	2250	53.6	1.73	0.85	1	1	50.9	2.03	0.87	1	1	47.8	2.36	0.9	1	1	44.4	2.74	0.93	1	1				
	2700	56.3	1.72	0.92	1	1	53.4	2.02	0.94	1	1	50.1	2.35	0.97	1	1	46.5	2.73	1	1	1				
67°F	1800	53.6	1.74	0.61	0.77	0.92	50.5	2.03	0.62	0.78	0.95	47.2	2.37	0.62	0.8	0.98	43.4	2.74	0.63	0.82	1				
	2250	56	1.72	0.65	0.83	1	52.8	2.02	0.66	0.85	1	49.1	2.36	0.67	0.88	1	45.2	2.73	0.69	0.91	1				
71°F	2700	57.6	1.71	0.69	0.9	1	54.3	2.01	0.7	0.92	1	50.7	2.35	0.72	0.95	1	46.8	2.73	0.73	0.99	1				
	1800	56.3	1.72	0.45	0.6	0.75	53.3	2.02	0.44	0.61	0.76	49.8	2.35	0.44	0.62	0.78	46	2.73	0.43	0.63	0.8				
	2250	58.9	1.7	0.46	0.65	0.81	55.6	2	0.46	0.65	0.83	52	2.34	0.46	0.67	0.86	48	2.72	0.47	0.68	0.89				
	2700	60.7	1.69	0.49	0.69	0.88	57.3	1.99	0.49	0.7	0.9	53.4	2.33	0.49	0.71	0.93	49.3	2.72	0.49	0.73	0.97				

## 8.5 TON - ZCC102S4M (2 COMPRESSORS - PART LOAD / FULL LOAD)

Entering Wet Bulb Temperature	Total Air Volume	Outdoor Air Temperature Entering Outdoor Coil																							
		85°F						95°F						105°F						115°F					
		Total Cool Cap.	Comp. Motor Input	Sensible To Total Ratio (S/T)			Total Cool Cap.	Comp. Motor Input	Sensible To Total Ratio (S/T)			Total Cool Cap.	Comp. Motor Input	Sensible To Total Ratio (S/T)			Total Cool Cap.	Comp. Motor Input	Sensible To Total Ratio (S/T)						
				Dry Bulb					Dry Bulb					Dry Bulb					Dry Bulb						
cfm	kBtuh	kW	75°F	80°F	85°F	kBtuh	kW	75°F	80°F	85°F	kBtuh	kW	75°F	80°F	85°F	kBtuh	kW	75°F	80°F	85°F					
63°F	2040	80.5	5.21	0.67	0.79	0.91	74.4	5.94	0.68	0.82	0.93	68	6.77	0.68	0.83	0.96	61.4	7.72	0.7	0.86	0.99				
	2550	85.7	5.21	0.71	0.86	0.98	79.6	5.94	0.72	0.88	1	73.1	6.77	0.74	0.9	1	66.2	7.73	0.77	0.93	1				
	3060	90.3	5.21	0.76	0.91	1	83.9	5.94	0.77	0.93	1	77.1	6.78	0.79	0.96	1	69.9	7.73	0.82	0.99	1				
67°F	2040	85.9	5.21	0.53	0.65	0.77	79.6	5.94	0.53	0.66	0.78	73	6.77	0.52	0.66	0.81	65.7	7.72	0.53	0.68	0.83				
	2550	91.1	5.21	0.56	0.69	0.83	84.4	5.94	0.56	0.7	0.85	77.3	6.77	0.57	0.72	0.87	69.8	7.73	0.56	0.73	0.9				
	3060	95	5.21	0.58	0.74	0.88	88	5.94	0.59	0.76	0.9	80.6	6.77	0.59	0.77	0.93	72.5	7.73	0.6	0.8	0.97				
71°F	2040	91.3	5.2	0.39	0.52	0.63	84.8	5.93	0.38	0.51	0.63	78	6.77	0.37	0.52	0.64	70.6	7.72	0.36	0.52	0.66				
	2550	96.9	5.2	0.42	0.54	0.67	89.9	5.94	0.4	0.55	0.68	82.4	6.77	0.4	0.56	0.7	74.5	7.73	0.38	0.56	0.71				
	3060	100.8	5.21	0.42	0.57	0.72	93.4	5.94	0.42	0.58	0.74	85.6	6.78	0.4	0.59	0.75	77.1	7.73	0.41	0.6	0.78				

## 8.5 TON - ZCC102S4M (2 COMPRESSORS - FULL LOAD)

Entering Wet Bulb Temperature	Total Air Volume	Outdoor Air Temperature Entering Outdoor Coil																							
		85°F						95°F						105°F						115°F					
		Total Cool Cap.	Comp. Motor Input	Sensible To Total Ratio (S/T)			Total Cool Cap.	Comp. Motor Input	Sensible To Total Ratio (S/T)			Total Cool Cap.	Comp. Motor Input	Sensible To Total Ratio (S/T)			Total Cool Cap.	Comp. Motor Input	Sensible To Total Ratio (S/T)						
				Dry Bulb					Dry Bulb					Dry Bulb					Dry Bulb						
cfm	kBtuh	kW	75°F	80°F	85°F	kBtuh	kW	75°F	80°F	85°F	kBtuh	kW	75°F	80°F	85°F	kBtuh	kW	75°F	80°F	85°F					
63°F	2720	100.3	6.24	0.7	0.82	0.94	94.2	7.02	0.71	0.84	0.95	88	7.93	0.71	0.85	0.98	81.2	8.98	0.72	0.87	1				
	3400	106.8	6.3	0.74	0.88	1	100.3	7.07	0.76	0.9	1	93.5	7.98	0.77	0.92	1	86.2	9.03	0.79	0.95	1				
	4080	111.7	6.35	0.78	0.94	1	104.8	7.11	0.81	0.96	1	97.6	8.01	0.82	0.98	1	90.1	9.07	0.85	1	1				
67°F	2720	106.6	6.3	0.54	0.67	0.8	99.9	7.07	0.54	0.68	0.81	92.8	7.97	0.55	0.69	0.82	85	9.01	0.54	0.71	0.84				
	3400	112	6.34	0.58	0.72	0.85	104.7	7.11	0.58	0.73	0.87	97	8.01	0.59	0.75	0.89	89	9.06	0.59	0.79	0.92				
	4080	115.8	6.38	0.61	0.77	0.91	108.2	7.15	0.61	0.8	0.93	100.6	8.05	0.61	0.8	0.96	92.6	9.09	0.63	0.82	0.99				
71°F	2720	113.1	6.35	0.4	0.53	0.66	106.1	7.12	0.4	0.53	0.66	98.8	8.02	0.39	0.54	0.67	90.9	9.07	0.38	0.53	0.68				
	3400	118.8	6.41	0.42	0.57	0.7	111.2	7.17	0.42	0.58	0.71	103.2	8.07	0.42	0.58	0.73	94.9	9.12	0.41	0.58	0.75				
	4080	122.8	6.45	0.43	0.59	0.76	114.7	7.21	0.43	0.6	0.76	106.5	8.1	0.44	0.61	0.79	97.5	9.15	0.42	0.61	0.81				

# RATINGS

NOTE – For Temperatures and Capacities not shown in tables, see bulletin – Cooling Unit Rating Table Correction Factor Data in Miscellaneous Engineering Data section.

## 10 TON - ZCC120S4M (1 COMPRESSOR - PART LOAD)

Entering Wet Bulb Temperature	Total Air Volume	Outdoor Air Temperature Entering Outdoor Coil																							
		65°F						75°F						85°F						95°F					
		Total Cool Cap.	Comp. Motor Input	Sensible To Total Ratio (S/T)			Total Cool Cap.	Comp. Motor Input	Sensible To Total Ratio (S/T)			Total Cool Cap.	Comp. Motor Input	Sensible To Total Ratio (S/T)			Total Cool Cap.	Comp. Motor Input	Sensible To Total Ratio (S/T)						
				Dry Bulb					Dry Bulb					Dry Bulb					Dry Bulb						
cfm	kBtuh	kW	75°F	80°F	85°F	kBtuh	kW	75°F	80°F	85°F	kBtuh	kW	75°F	80°F	85°F	kBtuh	kW	75°F	80°F	85°F					
63°F	2110	52.1	1.78	0.85	1	1	49.4	2.07	0.87	1	1	46.4	2.4	0.89	1	1	43.1	2.77	0.92	1	1				
	2640	55.5	1.76	0.92	1	1	52.6	2.06	0.94	1	1	49.4	2.39	0.97	1	1	45.8	2.76	0.99	1	1				
	3170	58	1.75	0.99	1	1	55	2.05	1	1	1	51.6	2.38	1	1	1	47.9	2.75	1	1	1				
67°F	2110	54.5	1.77	0.66	0.83	0.99	51.5	2.06	0.67	0.85	1	48	2.39	0.68	0.87	1	44.3	2.76	0.69	0.9	1				
	2640	57	1.76	0.7	0.9	1	53.8	2.05	0.71	0.92	1	50.1	2.39	0.73	0.95	1	46.3	2.76	0.75	0.99	1				
	3170	58.8	1.75	0.75	0.97	1	55.5	2.05	0.76	0.99	1	51.8	2.38	0.78	1	1	47.9	2.75	0.8	1	1				
71°F	2110	57.5	1.76	0.48	0.65	0.81	54.4	2.05	0.48	0.66	0.83	50.8	2.38	0.47	0.67	0.85	46.9	2.76	0.47	0.68	0.88				
	2640	60	1.75	0.5	0.7	0.88	56.6	2.04	0.5	0.71	0.9	52.8	2.38	0.5	0.73	0.93	48.6	2.75	0.51	0.74	0.97				
	3170	61.5	1.74	0.52	0.74	0.95	58.1	2.04	0.52	0.76	0.97	54.1	2.37	0.53	0.78	0.99	49.9	2.75	0.53	0.8	1				

## 10 TON - ZCC120S4M (2 COMPRESSORS - PART LOAD / FULL LOAD)

Entering Wet Bulb Temperature	Total Air Volume	Outdoor Air Temperature Entering Outdoor Coil																							
		85°F						95°F						105°F						115°F					
		Total Cool Cap.	Comp. Motor Input	Sensible To Total Ratio (S/T)			Total Cool Cap.	Comp. Motor Input	Sensible To Total Ratio (S/T)			Total Cool Cap.	Comp. Motor Input	Sensible To Total Ratio (S/T)			Total Cool Cap.	Comp. Motor Input	Sensible To Total Ratio (S/T)						
				Dry Bulb					Dry Bulb					Dry Bulb					Dry Bulb						
cfm	kBtuh	kW	75°F	80°F	85°F	kBtuh	kW	75°F	80°F	85°F	kBtuh	kW	75°F	80°F	85°F	kBtuh	kW	75°F	80°F	85°F					
63°F	2400	99	6.04	0.7	0.82	0.92	92.1	6.86	0.7	0.84	0.93	84.9	7.8	0.71	0.85	0.95	77.3	8.9	0.73	0.87	0.98				
	3000	105.4	6.07	0.74	0.87	0.97	98.5	6.89	0.76	0.89	0.99	91.2	7.84	0.78	0.91	1	83.2	8.93	0.79	0.93	1				
	3600	111.2	6.1	0.79	0.92	1	103.8	6.92	0.8	0.94	1	96	7.87	0.82	0.96	1	87.6	8.96	0.86	0.99	1				
67°F	2400	105.8	6.06	0.55	0.67	0.79	98.5	6.89	0.54	0.68	0.81	90.8	7.82	0.54	0.69	0.82	82.5	8.91	0.55	0.71	0.85				
	3000	111.8	6.09	0.58	0.72	0.85	104	6.91	0.58	0.73	0.86	95.9	7.85	0.59	0.74	0.88	87	8.93	0.6	0.78	0.91				
	3600	116.1	6.1	0.61	0.77	0.89	108.1	6.93	0.61	0.79	0.91	99.7	7.88	0.62	0.8	0.94	90.5	8.96	0.64	0.83	0.97				
71°F	2400	113.1	6.09	0.41	0.53	0.65	105.6	6.92	0.41	0.53	0.66	97.7	7.86	0.4	0.53	0.67	89.1	8.95	0.39	0.53	0.68				
	3000	119.3	6.12	0.42	0.57	0.7	111.5	6.94	0.43	0.56	0.72	102.9	7.89	0.42	0.58	0.73	93.6	8.97	0.41	0.58	0.76				
	3600	123.7	6.13	0.44	0.6	0.75	115.2	6.95	0.43	0.61	0.77	106.5	7.91	0.43	0.61	0.78	97	9	0.43	0.62	0.81				

## 10 TON - ZCC120S4M (2 COMPRESSORS - FULL LOAD)

Entering Wet Bulb Temperature	Total Air Volume	Outdoor Air Temperature Entering Outdoor Coil																							
		85°F						95°F						105°F						115°F					
		Total Cool Cap.	Comp. Motor Input	Sensible To Total Ratio (S/T)			Total Cool Cap.	Comp. Motor Input	Sensible To Total Ratio (S/T)			Total Cool Cap.	Comp. Motor Input	Sensible To Total Ratio (S/T)			Total Cool Cap.	Comp. Motor Input	Sensible To Total Ratio (S/T)						
				Dry Bulb					Dry Bulb					Dry Bulb					Dry Bulb						
cfm	kBtuh	kW	75°F	80°F	85°F	kBtuh	kW	75°F	80°F	85°F	kBtuh	kW	75°F	80°F	85°F	kBtuh	kW	75°F	80°F	85°F					
63°F	3200	119.7	7.08	0.73	0.85	0.94	112.7	7.95	0.74	0.86	0.96	105.6	8.97	0.75	0.87	0.98	97.6	10.14	0.75	0.89	1				
	4000	126.9	7.16	0.77	0.9	1	119.6	8.04	0.78	0.91	1	111.7	9.05	0.81	0.93	1	103.2	10.22	0.82	0.95	1				
	4800	132.5	7.22	0.81	0.94	1	124.5	8.09	0.84	0.96	1	116.3	9.1	0.85	0.99	1	107.4	10.29	0.87	1	1				
67°F	3200	126.8	7.16	0.57	0.69	0.82	119.1	8.03	0.56	0.7	0.83	111.1	9.03	0.57	0.72	0.85	102.3	10.21	0.57	0.74	0.86				
	4000	132.8	7.23	0.61	0.75	0.87	124.5	8.1	0.61	0.77	0.89	116	9.1	0.61	0.79	0.91	106.6	10.27	0.62	0.81	0.93				
	4800	136.9	7.28	0.63	0.81	0.92	128.4	8.14	0.65	0.83	0.94	119.4	9.15	0.65	0.83	0.96	110.1	10.33	0.66	0.85	0.99				
71°F	3200	133.8	7.24	0.43	0.55	0.68	125.9	8.11	0.41	0.56	0.69	117.5	9.12	0.42	0.55	0.69	108.5	10.31	0.4	0.57	0.72				
	4000	140	7.32	0.44	0.59	0.73	131.5	8.18	0.44	0.6	0.75	122.5	9.2	0.42	0.6	0.77	113	10.38	0.42	0.6	0.78				
	4800	144.4	7.37	0.46	0.62	0.78	135.6	8.24	0.46	0.63	0.8	126.3	9.25	0.46	0.64	0.82	115.8	10.43	0.44	0.65	0.84				

# RATINGS

NOTE – For Temperatures and Capacities not shown in tables, see bulletin – Cooling Unit Rating Table Correction Factor Data in Miscellaneous Engineering Data section.

## 12.5 TON - ZCC150S4M (1 COMPRESSOR - PART LOAD)

Entering Wet Bulb Temperature	Total Air Volume	Outdoor Air Temperature Entering Outdoor Coil																							
		65°F						75°F						85°F						95°F					
		Total Cool Cap.	Comp. Motor Input	Sensible To Total Ratio (S/T)			Total Cool Cap.	Comp. Motor Input	Sensible To Total Ratio (S/T)			Total Cool Cap.	Comp. Motor Input	Sensible To Total Ratio (S/T)			Total Cool Cap.	Comp. Motor Input	Sensible To Total Ratio (S/T)						
				Dry Bulb					Dry Bulb					Dry Bulb					Dry Bulb						
cfm	kBtuh	kW	75°F	80°F	85°F	kBtuh	kW	75°F	80°F	85°F	kBtuh	kW	75°F	80°F	85°F	kBtuh	kW	75°F	80°F	85°F					
63°F	2640	64.7	2.16	0.84	1	1	61.5	2.5	0.85	1	1	58.2	2.88	0.87	1	1	54.7	3.33	0.89	1	1				
	3300	68.9	2.14	0.9	1	1	65.5	2.48	0.92	1	1	61.9	2.87	0.95	1	1	58.1	3.31	0.98	1	1				
	3960	72.1	2.13	0.97	1	1	68.5	2.47	0.99	1	1	64.7	2.86	1	1	1	60.6	3.3	1	1	1				
67°F	2640	67.8	2.15	0.65	0.82	0.98	64.2	2.49	0.65	0.83	1	60.5	2.88	0.66	0.85	1	56.3	3.32	0.67	0.87	1				
	3300	70.9	2.14	0.69	0.88	1	67.1	2.48	0.7	0.9	1	63.1	2.87	0.71	0.93	1	58.8	3.31	0.72	0.95	1				
	3960	73.2	2.13	0.73	0.95	1	69.2	2.47	0.74	0.97	1	65.2	2.86	0.75	0.99	1	60.7	3.3	0.77	1	1				
71°F	2640	71.7	2.13	0.47	0.64	0.8	67.9	2.48	0.46	0.65	0.81	63.9	2.86	0.46	0.65	0.83	59.6	3.31	0.46	0.66	0.85				
	3300	74.5	2.12	0.49	0.68	0.86	70.6	2.46	0.49	0.69	0.88	66.2	2.85	0.49	0.7	0.9	61.7	3.3	0.48	0.72	0.93				
	3960	76.5	2.11	0.51	0.72	0.93	72.3	2.45	0.51	0.74	0.95	68.1	2.84	0.51	0.75	0.98	63.6	3.29	0.51	0.77	1				

## 12.5 TON - ZCC150S4M (2 COMPRESSORS - PART LOAD / FULL LOAD)

Entering Wet Bulb Temperature	Total Air Volume	Outdoor Air Temperature Entering Outdoor Coil																			
		85°F					95°F					105°F					115°F				
		Total Cool Cap.	Comp. Motor Input	Sensible To Total Ratio (S/T)			Total Cool Cap.	Comp. Motor Input	Sensible To Total Ratio (S/T)			Total Cool Cap.	Comp. Motor Input	Sensible To Total Ratio (S/T)			Total Cool Cap.	Comp. Motor Input	Sensible To Total Ratio (S/T)		
				Dry Bulb					Dry Bulb					Dry Bulb					Dry Bulb		
cfm	kBtuh	kW	75°F	80°F	85°F	kBtuh	kW	75°F	80°F	85°F	kBtuh	kW	75°F	80°F	85°F	kBtuh	kW	75°F	80°F	85°F	
63°F	3000	127.9	7.8	0.69	0.81	0.91	120.6	8.79	0.69	0.82	0.93	112.4	9.92	0.7	0.84	0.94	103.5	11.22	0.71	0.86	0.97
	3750	135.6	7.86	0.72	0.87	0.97	128	8.85	0.74	0.88	0.99	120	9.99	0.76	0.9	1	111.1	11.29	0.77	0.92	1
	4500	142.7	7.92	0.77	0.91	1	134.7	8.91	0.79	0.93	1	126.1	10.04	0.81	0.95	1	116.7	11.35	0.83	0.98	1
67°F	3000	136.6	7.86	0.54	0.66	0.77	128.6	8.84	0.54	0.67	0.79	120	9.97	0.54	0.68	0.81	110.7	11.27	0.54	0.69	0.83
	3750	144.1	7.91	0.57	0.7	0.84	135.5	8.89	0.57	0.72	0.85	126.5	10.02	0.57	0.72	0.87	116.5	11.31	0.59	0.75	0.89
	4500	149.7	7.95	0.59	0.75	0.89	140.7	8.93	0.6	0.77	0.9	131.2	10.06	0.61	0.78	0.92	120.6	11.35	0.61	0.81	0.95
71°F	3000	145.9	7.92	0.41	0.52	0.64	137.4	8.91	0.4	0.53	0.65	128.5	10.04	0.4	0.53	0.65	118.8	11.33	0.39	0.53	0.67
	3750	153.7	7.98	0.42	0.56	0.68	144.8	8.96	0.41	0.56	0.69	135.1	10.09	0.41	0.57	0.71	124.7	11.37	0.4	0.57	0.73
	4500	159.4	8.02	0.43	0.59	0.73	149.9	8.99	0.43	0.59	0.75	139.6	10.12	0.42	0.6	0.76	128.7	11.4	0.42	0.61	0.79

## 12.5 TON - ZCC150S4M (2 COMPRESSORS - FULL LOAD)

Entering Wet Bulb Temperature	Total Air Volume	Outdoor Air Temperature Entering Outdoor Coil																			
		85°F					95°F					105°F					115°F				
		Total Cool Cap.	Comp. Motor Input	Sensible To Total Ratio (S/T)			Total Cool Cap.	Comp. Motor Input	Sensible To Total Ratio (S/T)			Total Cool Cap.	Comp. Motor Input	Sensible To Total Ratio (S/T)			Total Cool Cap.	Comp. Motor Input	Sensible To Total Ratio (S/T)		
				Dry Bulb					Dry Bulb					Dry Bulb					Dry Bulb		
cfm	kBtuh	kW	75°F	80°F	85°F	kBtuh	kW	75°F	80°F	85°F	kBtuh	kW	75°F	80°F	85°F	kBtuh	kW	75°F	80°F	85°F	
63°F	4000	148.4	9.02	0.71	0.84	0.94	140.3	10.14	0.72	0.85	0.96	131.6	11.41	0.74	0.87	0.98	122.6	12.89	0.75	0.88	1
	5000	157	9.12	0.77	0.89	1	148.4	10.23	0.78	0.91	1	139.4	11.5	0.79	0.93	1	129.7	12.97	0.82	0.95	1
	6000	163.8	9.21	0.81	0.94	1	154.8	10.31	0.83	0.96	1	145.3	11.57	0.85	0.99	1	135	13.03	0.86	1	1
67°F	4000	156.5	9.11	0.56	0.69	0.81	147.6	10.21	0.55	0.7	0.82	138.1	11.47	0.57	0.71	0.84	127.9	12.91	0.56	0.74	0.86
	5000	163.9	9.2	0.58	0.74	0.87	154.3	10.3	0.59	0.76	0.88	144.3	11.54	0.6	0.78	0.9	133.7	12.99	0.62	0.79	0.93
	6000	169.1	9.26	0.61	0.8	0.92	159.4	10.35	0.64	0.81	0.94	149	11.6	0.65	0.82	0.96	138.1	13.05	0.65	0.84	0.99
71°F	4000	166.3	9.23	0.41	0.54	0.66	156.9	10.33	0.41	0.55	0.68	147	11.58	0.41	0.55	0.7	136.2	13.01	0.41	0.56	0.71
	5000	173.9	9.32	0.43	0.57	0.72	163.5	10.41	0.42	0.58	0.74	152.9	11.64	0.43	0.6	0.76	141.9	13.09	0.43	0.59	0.78
	6000	178.6	9.38	0.44	0.61	0.78	168.3	10.46	0.44	0.62	0.79	157.4	11.71	0.45	0.64	0.81	145.7	13.14	0.45	0.65	0.83

**ZCC092S4M - ZCC102S4M – BASE UNIT**

**BLOWER TABLE INCLUDES RESISTANCE FOR BASE UNIT ONLY (NO HEAT SECTION) WITH DRY INDOOR COIL AND AIR FILTERS IN PLACE. FOR ALL UNITS ADD:**

- 1 – Wet indoor coil air resistance of selected unit.
- 2 – Any factory installed options air resistance (heat section, economizer, etc.)
- 3 – Any field installed accessories air resistance (duct resistance, diffuser, etc.)

Then determine from blower table blower motor output required.

See page 22 for blower motors and drives and air resistance for wet coil and options/accessories.

**Minimum Air Volume Required For Use With Optional Electric Heat:**

15 kW, 22.5 kW- 2065 cfm; 30 kW - 2250 cfm; 45 kW - 2625 cfm

Total Air Volume cfm	Total Static Pressure – in. w.g.																											
	0.2		0.4		0.6		0.8		1.0		1.2		1.4		1.6		1.8		2		2.2		2.4		2.6			
	RPM	BHP	RPM	BHP	RPM	BHP	RPM	BHP	RPM	BHP	RPM	BHP	RPM	BHP	RPM	BHP	RPM	BHP	RPM	BHP	RPM	BHP	RPM	BHP	RPM	BHP	RPM	BHP
2000	535	0.28	596	0.49	660	0.69	724	0.87	788	1.00	851	1.11	913	1.23	971	1.37	1025	1.52	1076	1.69	1124	1.86	---	---	---	---	---	---
2250	552	0.43	613	0.63	675	0.81	738	0.98	802	1.11	864	1.22	925	1.36	982	1.51	1036	1.68	1085	1.85	1133	2.04	1180	2.23	1228	2.44	1276	2.65
2500	570	0.57	630	0.76	692	0.94	754	1.10	817	1.22	879	1.35	939	1.51	995	1.67	1047	1.85	1096	2.04	1143	2.23	1190	2.43	1239	2.65	1287	2.87
2750	589	0.72	648	0.91	709	1.08	772	1.22	833	1.36	894	1.50	954	1.67	1009	1.85	1059	2.04	1108	2.24	1154	2.44	1202	2.65	1251	2.87	1300	3.11
3000	608	0.87	668	1.05	729	1.22	791	1.37	852	1.51	912	1.67	970	1.85	1023	2.05	1073	2.25	1120	2.46	1167	2.67	1215	2.89	1265	3.11	1314	3.37
3250	629	1.03	688	1.21	749	1.37	811	1.52	871	1.68	930	1.86	987	2.06	1039	2.27	1088	2.49	1134	2.70	1181	2.92	1229	3.14	1279	3.37	1328	3.65
3500	651	1.20	710	1.38	772	1.54	833	1.70	892	1.88	950	2.07	1004	2.28	1055	2.51	1103	2.74	1150	2.96	1196	3.19	1245	3.42	1295	3.65	1344	3.95
3750	674	1.36	734	1.56	796	1.73	856	1.90	914	2.10	970	2.30	1023	2.53	1072	2.78	1120	3.02	1166	3.25	1213	3.47	1262	3.71	1313	3.95	1362	4.28
4000	699	1.55	761	1.76	822	1.94	880	2.12	936	2.33	991	2.56	1042	2.81	1090	3.07	1137	3.31	1183	3.55	1231	3.78	1281	4.03	1333	4.28	1382	4.63
4250	726	1.77	789	1.98	849	2.16	904	2.37	959	2.59	1012	2.84	1062	3.11	1109	3.38	1156	3.63	1202	3.87	1251	4.11	1302	4.37	1354	4.63	1403	5.00
4500	756	2.01	818	2.22	875	2.41	929	2.63	983	2.88	1034	3.15	1082	3.44	1129	3.71	1175	3.96	1222	4.21	1271	4.46	1323	4.72	1376	5.00	1425	5.37
4750	788	2.27	848	2.47	902	2.68	955	2.92	1006	3.20	1056	3.50	1104	3.79	1150	4.06	1196	4.32	1243	4.57	1293	4.83	1345	5.09	1399	5.37	1450	5.74
5000	822	2.54	878	2.75	929	2.98	980	3.25	1031	3.56	1079	3.87	1126	4.16	1172	4.44	1218	4.70	1266	4.95	1315	5.20	1367	5.47	1421	5.74	1470	6.11

**ZCC120S4M - ZCC150S4M – BASE UNIT**

**BLOWER TABLE INCLUDES RESISTANCE FOR BASE UNIT ONLY (NO HEAT SECTION) WITH DRY INDOOR COIL AND AIR FILTERS IN PLACE. FOR ALL UNITS ADD:**

- 1 – Wet indoor coil air resistance of selected unit.
- 2 – Any factory installed options air resistance (heat section, economizer, etc.)
- 3 – Any field installed accessories air resistance (duct resistance, diffuser, etc.)

Then determine from blower table blower motor output required.

See page 22 for blower motors and drives and air resistance for wet coil and options/accessories.

**Minimum Air Volume Required For Use With Optional Electric Heat:**

15 kW, 22.5 kW - 2065 cfm; 30 kW - 2250 cfm; 45 kW - 2625 cfm

Total Air Volume cfm	Total Static Pressure – in. w.g.																										
	0.2		0.4		0.6		0.8		1.0		1.2		1.4		1.6		1.8		2		2.2		2.4		2.6		
	RPM	BHP	RPM	BHP	RPM	BHP	RPM	BHP	RPM	BHP	RPM	BHP	RPM	BHP	RPM	BHP	RPM	BHP	RPM	BHP	RPM	BHP	RPM	BHP	RPM	BHP	RPM
2000	542	0.43	602	0.60	664	0.75	732	0.89	802	1.02	869	1.15	927	1.27	979	1.41	1029	1.57	1079	1.75	1129	1.95	1179	2.15	1230	2.37	
2250	560	0.55	619	0.71	681	0.86	748	1.00	817	1.14	882	1.27	939	1.41	991	1.57	1041	1.74	1090	1.93	1140	2.13	1190	2.35	1241	2.57	
2500	579	0.68	637	0.83	699	0.98	766	1.12	834	1.26	897	1.41	953	1.57	1005	1.74	1054	1.92	1103	2.12	1152	2.33	1202	2.55	1254	2.79	
2750	599	0.81	657	0.97	719	1.11	785	1.25	851	1.41	913	1.57	968	1.74	1020	1.93	1068	2.13	1116	2.34	1165	2.56	1215	2.78	1268	3.01	
3000	620	0.95	678	1.11	741	1.25	806	1.40	870	1.58	930	1.75	985	1.94	1036	2.14	1084	2.36	1131	2.58	1180	2.80	1230	3.02	1283	3.26	
3250	643	1.10	701	1.26	764	1.41	828	1.57	891	1.76	950	1.95	1003	2.16	1053	2.38	1100	2.61	1148	2.83	1196	3.06	1246	3.29	1299	3.52	
3500	667	1.26	726	1.43	788	1.58	851	1.77	913	1.97	970	2.17	1023	2.41	1071	2.65	1118	2.88	1165	3.11	1213	3.33	1264	3.57	1317	3.81	
3750	693	1.44	752	1.61	813	1.78	876	1.98	936	2.20	992	2.43	1043	2.68	1091	2.93	1137	3.17	1183	3.40	1232	3.64	1284	3.88	1338	4.13	
4000	720	1.65	779	1.82	840	2.00	902	2.22	961	2.46	1015	2.71	1064	2.98	1111	3.24	1156	3.48	1203	3.72	1253	3.96	1305	4.22	1359	4.48	
4250	748	1.86	807	2.04	868	2.24	929	2.48	986	2.75	1038	3.02	1086	3.30	1132	3.57	1177	3.81	1224	4.05	1274	4.31	1327	4.57	1382	4.85	
4500	778	2.09	837	2.28	898	2.51	957	2.78	1012	3.07	1062	3.37	1108	3.65	1154	3.92	1199	4.17	1247	4.41	1297	4.67	1350	4.94	1405	5.22	
4750	809	2.34	868	2.56	929	2.82	986	3.12	1038	3.43	1087	3.74	1132	4.03	1177	4.29	1223	4.54	1270	4.79	1321	5.04	1374	5.31	1428	5.58	
5000	841	2.62	901	2.87	960	3.17	1015	3.50	1065	3.83	1112	4.14	1157	4.43	1201	4.69	1247	4.94	1295	5.18	1345	5.42	1398	5.68	---	---	
5250	875	2.93	935	3.23	992	3.56	1044	3.91	1092	4.26	1138	4.57	1182	4.85	1226	5.10	1272	5.34	1320	5.57	---	---	---	---	---	---	
5500	911	3.30	969	3.63	1024	4.00	1074	4.37	1120	4.71	1165	5.02	1208	5.29	1253	5.53	---	---	---	---	---	---	---	---	---	---	
5750	948	3.71	1004	4.08	1056	4.48	1104	4.85	1148	5.19	1192	5.49	1235	5.74	---	---	---	---	---	---	---	---	---	---	---	---	
6000	985	4.18	1039	4.59	1088	5.00	1134	5.37	1177	5.69	---	---	---	---	---	---	---	---	---	---	---	---	---	---	---	---	
6250	1022	4.70	1073	5.14	1120	5.54	---	---	---	---	---	---	---	---	---	---	---	---	---	---	---	---	---	---	---	---	

## BLOWER DATA

### FACTORY INSTALLED BELT DRIVE KIT SPECIFICATIONS

Nominal hp	Drive Kit Number	RPM Range
2	1	590 - 890
2	2	800 - 1105
2	3	795 - 1195
3	4	730 - 970
3	5	940 - 1200
3	6	1015 - 1300
5	10	900 - 1135
5	11	1040 - 1315
5	12	1125 - 1425

NOTE - Using total air volume and system static pressure requirements determine from blower performance tables rpm and motor output required. Maximum usable output of motors furnished are shown. If motors of comparable output are used, be sure to keep within the service factor limitations outlined on the motor nameplate.

NOTE - Motor service factor limit - 1.0.

### POWER EXHAUST FAN PERFORMANCE

Return Air System Static Pressure in. w.g.	Air Volume Exhausted cfm
0	3575
0.05	3405
0.10	3550
0.15	3245
0.20	3115
0.25	3020
0.30	2900
0.35	2785

### FACTORY INSTALLED OPTIONS/FIELD INSTALLED ACCESSORY AIR RESISTANCE - in. w.g.

Air Volume cfm	Wet Indoor Coil		Electric Heat	Economizer	Filters	
	092, 102	120, 150			MERV 8	MERV 13
1750	0.03	0.04	0.03	0.03	0.01	0.03
2000	0.04	0.05	0.03	0.05	0.01	0.03
2250	0.05	0.06	0.04	0.06	0.01	0.04
2500	0.05	0.07	0.04	0.08	0.01	0.05
2750	0.06	0.08	0.05	0.09	0.02	0.05
3000	0.07	0.09	0.06	0.11	0.02	0.06
3250	0.08	0.10	0.06	0.13	0.02	0.06
3500	0.09	0.11	0.09	0.15	0.03	0.07
3750	0.10	0.13	0.09	0.17	0.03	0.08
4000	0.11	0.14	0.09	0.19	0.04	0.08
4250	0.13	0.15	0.13	0.21	0.04	0.09
4500	0.14	0.17	0.14	0.24	0.04	0.09
4750	0.15	0.18	0.17	0.26	0.05	0.10
5000	0.16	0.20	0.20	0.29	0.06	0.10
5250	0.17	0.22	0.22	0.32	0.06	0.11
5500	0.19	0.23	0.25	0.34	0.07	0.12
5750	0.20	0.25	0.31	0.37	0.07	0.12
6000	0.22	0.27	0.33	0.40	0.08	0.13

## BLOWER DATA

### CEILING DIFFUSERS AIR RESISTANCE - in. w.g.

Unit Size	RTD11 Step-Down Diffuser			FD11 Flush Diffuser	
	Air Volume cfm	2 Ends Open	1 Side, 2 Ends Open		All Ends & Sides Open
092 Models	2400	0.21	0.18	0.15	0.14
	2600	0.24	0.21	0.18	0.17
	2800	0.27	0.24	0.21	0.20
	3000	0.32	0.29	0.25	0.25
	3200	0.41	0.37	0.32	0.31
	3400	0.50	0.45	0.39	0.37
	3600	0.61	0.54	0.48	0.44
102 & 120 Models	3800	0.73	0.63	0.57	0.51
	3600	0.36	0.28	0.23	0.15
	3800	0.40	0.32	0.26	0.18
	4000	0.44	0.36	0.29	0.21
	4200	0.49	0.40	0.33	0.24
	4400	0.54	0.44	0.37	0.27
	4600	0.60	0.49	0.42	0.31
	4800	0.65	0.53	0.46	0.35
150 Models	5000	0.69	0.58	0.50	0.39
	5200	0.75	0.62	0.54	0.43
	4200	0.22	0.19	0.16	0.10
	4400	0.28	0.24	0.20	0.12
	4600	0.34	0.29	0.24	0.15
	4800	0.40	0.34	0.29	0.19
	5000	0.46	0.39	0.34	0.23
	5200	0.52	0.44	0.39	0.27
	5400	0.58	0.49	0.43	0.31
5600	0.64	0.54	0.47	0.35	
5800	0.70	0.59	0.51	0.39	

### CEILING DIFFUSER AIR THROW DATA

Model No.	Air Volume cfm	<sup>1</sup> Effective Throw Range	
		RTD11 Step-Down	FD11 Flush
		ft.	ft.
092 Models	2600	24 - 29	19 - 24
	2800	25 - 30	20 - 28
	3000	27 - 33	21 - 29
	3200	28 - 35	22 - 29
	3400	30 - 37	22 - 30
102, 120 Models	3600	25 - 33	22 - 29
	3800	27 - 35	22 - 30
	4000	29 - 37	24 - 33
	4200	32 - 40	26 - 35
	4400	34 - 42	28 - 37
150 Models	5600	39 - 49	28 - 37
	5800	42 - 51	29 - 38
	6000	44 - 54	40 - 50
	6200	45 - 55	42 - 51
	6400	46 - 55	43 - 52
6600	47 - 56	45 - 56	

<sup>1</sup> Throw is the horizontal or vertical distance an air stream travels on leaving the outlet or diffuser before the maximum velocity is reduced to 50 ft. per minute. Four sides open.

**ELECTRICAL/ELECTRIC HEAT DATA**

**7.5 TON**

Model No.		ZCC092S4M								
<sup>1</sup> Voltage - 60Hz		208/230V - 3 Ph			460V - 3 Ph			575V - 3 Ph		
Compressor 1 (Non-Inverter)	Rated Load Amps	14			6.5			4.9		
	Locked Rotor Amps	93			60			41		
Compressor 2 (Non-Inverter)	Rated Load Amps	9			5.6			3.8		
	Locked Rotor Amps	71			38			36.5		
Outdoor Fan Motors (2)	Full Load Amps (2 Non-ECM)	2.4			1.3			1		
	Total	4.8			2.6			2		
Power Exhaust (2) 0.5 HP	Full Load Amps	4.4			1.7			1.7		
	Total	8.8			3.4			3.4		
Indoor Blower Motor	Horsepower	2	3	5	2	3	5	2	3	5
	Full Load Amps	7.5	10.6	16.7	3.4	4.8	7.6	2.7	3.9	6.1
<sup>2</sup> Maximum Overcurrent Protection (MOCP)	Unit Only	50	50	60	25	25	30	15	20	20
	With (2) 0.5 HP Power Exhaust	60	60	70	25	30	35	20	20	25
<sup>3</sup> Minimum Circuit Ampacity (MCA)	Unit Only	39	42	49	20	22	25	15	16	19
	With (2) 0.5 HP Power Exhaust	48	51	58	24	25	28	19	20	22

**ELECTRIC HEAT DATA**

Electric Heat Voltage			208V	240V	208V	240V	208V	240V	480V	480V	480V	600V	600V	600V
<sup>2</sup> Maximum Overcurrent Protection (MOCP)	Unit+	7.5 kW	50	50	50	50	60	60	25	25	30	15	20	20
	Electric Heat	15 kW	50	60	60	60	60	70	30	30	35	25	25	30
		22.5 kW	70	80	80	90	80	90	40	40	45	35	35	35
		30 kW	90	100	100	110	100	125	50	60	60	40	45	45
		45 kW	150	150	150	150	150	175	80	80	80	60	60	70
<sup>3</sup> Minimum Circuit Ampacity (MCA)	Unit+	7.5 kW	39	39	42	42	49	49	20	22	25	15	16	19
	Electric Heat	15 kW	49	55	53	59	60	66	27	29	33	22	23	26
		22.5 kW	69	78	72	81	80	89	39	40	44	31	32	35
		30 kW	88	100	92	104	100	112	50	52	55	40	41	44
		45 kW	127	145	131	149	139	157	72	74	78	58	60	62
<sup>2</sup> Maximum Overcurrent Protection (MOCP)	Unit+	7.5 kW	60	60	60	60	70	70	25	30	35	20	20	25
	Electric Heat and (2) 0.5 HP Power Exhaust	15 kW	60	70	70	70	80	80	35	35	40	30	30	30
		22.5 kW	80	90	90	100	100	100	45	45	50	35	40	40
		30 kW	100	125	110	125	125	125	60	60	60	45	50	50
		45 kW	150	175	150	175	150	175	80	80	90	70	70	70
<sup>3</sup> Minimum Circuit Ampacity (MCA)	Unit+	7.5 kW	48	48	51	51	58	58	24	25	28	19	20	22
	Electric Heat and (2) 0.5 HP Power Exhaust	15 kW	60	66	64	70	71	77	32	33	37	26	28	30
		22.5 kW	80	89	83	92	91	100	43	45	48	35	37	39
		30 kW	99	111	103	115	111	123	54	56	59	44	46	48
		45 kW	138	156	142	160	150	168	77	78	82	62	64	67

NOTE - All units have a minimum Short Circuit Current Rating (SCCR) of 5000 amps.

<sup>1</sup> Extremes of operating range are plus and minus 10% of line voltage.

<sup>2</sup> HACR type breaker or fuse.

<sup>3</sup> Refer to National or Canadian Electrical Code manual to determine wire, fuse and disconnect size requirements.



**ELECTRICAL/ELECTRIC HEAT DATA**

**8.5 TON**

Model No.		ZCC102S4M								
<sup>1</sup> Voltage - 60Hz		208/230V - 3 Ph			460V - 3 Ph			575V - 3 Ph		
Compressor 1 (Non-Inverter)	Rated Load Amps	14			6.5			4.9		
	Locked Rotor Amps	93			60			41		
Compressor 2 (Non-Inverter)	Rated Load Amps	13.1			6.1			4.4		
	Locked Rotor Amps	83.1			41			33		
Outdoor Fan Motors (2)	Full Load Amps (2 Non-ECM) Total	2.4			1.3			1		
		4.8			2.6			2		
Power Exhaust (2) 0.5 HP	Full Load Amps Total	4.4			1.7			1.7		
		8.8			3.4			3.4		
Indoor Blower Motor	Horsepower	2	3	5	2	3	5	2	3	5
	Full Load Amps	7.5	10.6	16.7	3.4	4.8	7.6	2.7	3.9	6.1
<sup>2</sup> Maximum Overcurrent Protection (MOCP)	Unit Only	50	60	60	25	25	30	20	20	25
	With (2) 0.5 HP Power Exhaust	60	60	70	30	30	35	20	20	25
<sup>3</sup> Minimum Circuit Ampacity (MCA)	Unit Only	43	46	53	21	22	25	16	17	19
	With (2) 0.5 HP Power Exhaust	52	55	62	24	26	29	19	20	23

**ELECTRIC HEAT DATA**

Electric Heat Voltage			208V	240V	208V	240V	208V	240V	480V	480V	480V	600V	600V	600V
<sup>2</sup> Maximum Overcurrent Protection (MOCP)	Unit+	7.5 kW	50	50	60	60	60	60	25	25	30	20	20	25
	Electric Heat	15 kW	50	60	60	60	60	70	30	30	35	25	25	30
		22.5 kW	70	80	80	90	80	90	40	40	45	35	35	35
		30 kW	90	100	100	110	100	125	50	60	60	40	45	45
		45 kW	150	150	150	150	150	175	80	80	80	60	60	70
<sup>3</sup> Minimum Circuit Ampacity (MCA)	Unit+	7.5 kW	43	43	46	46	53	53	21	22	25	16	17	19
	Electric Heat	15 kW	49	55	53	59	60	66	27	29	33	22	23	26
		22.5 kW	69	78	72	81	80	89	39	40	44	31	32	35
		30 kW	88	100	92	104	100	112	50	52	55	40	41	44
		45 kW	127	145	131	149	139	157	72	74	78	58	60	62
<sup>2</sup> Maximum Overcurrent Protection (MOCP)	Unit+	7.5 kW	60	60	60	60	70	70	30	30	35	20	20	25
	Electric Heat and (2) 0.5 HP Power Exhaust	15 kW	60	70	70	70	80	80	35	35	40	30	30	30
		22.5 kW	80	90	90	100	100	100	45	45	50	35	40	40
		30 kW	100	125	110	125	125	125	60	60	60	45	50	50
		45 kW	150	175	150	175	150	175	80	80	90	70	70	70
<sup>3</sup> Minimum Circuit Ampacity (MCA)	Unit+	7.5 kW	52	52	55	55	62	62	24	26	29	19	20	23
	Electric Heat and (2) 0.5 HP Power Exhaust	15 kW	60	66	64	70	71	77	32	33	37	26	28	30
		22.5 kW	80	89	83	92	91	100	43	45	48	35	37	39
		30 kW	99	111	103	115	111	123	54	56	59	44	46	48
		45 kW	138	156	142	160	150	168	77	78	82	62	64	67

NOTE - All units have a minimum Short Circuit Current Rating (SCCR) of 5000 amps.

<sup>1</sup> Extremes of operating range are plus and minus 10% of line voltage.

<sup>2</sup> HACR type breaker or fuse.

<sup>3</sup> Refer to National or Canadian Electrical Code manual to determine wire, fuse and disconnect size requirements.

**ELECTRICAL/ELECTRIC HEAT DATA**

**10 TON**

Model No.		ZCC120S4M								
<sup>1</sup> Voltage - 60Hz		208/230V - 3 Ph			460V - 3 Ph			575V - 3 Ph		
Compressor 1 (Non-Inverter)	Rated Load Amps	14			6.5			4.9		
	Locked Rotor Amps	93			60			41		
Compressor 2 (Non-Inverter)	Rated Load Amps	16			7.8			5.7		
	Locked Rotor Amps	110			52			38.9		
Outdoor Fan Motors (2)	Full Load Amps (2 Non-ECM)	3			1.5			1.2		
	Total	6			3			2.4		
Power Exhaust (2) 0.5 HP	Full Load Amps	4.4			1.7			1.7		
	Total	8.8			3.4			3.4		
Indoor Blower Motor	Horsepower	2	3	5	2	3	5	2	3	5
	Full Load Amps	7.5	10.6	16.7	3.4	4.8	7.6	2.7	3.9	6.1
<sup>2</sup> Maximum Overcurrent Protection (MOCP)	Unit Only	60	60	70	30	30	30	20	20	25
	With (2) 0.5 HP Power Exhaust	70	70	80	30	35	35	25	25	30
<sup>3</sup> Minimum Circuit Ampacity (MCA)	Unit Only	48	51	57	23	25	27	18	19	21
	With (2) 0.5 HP Power Exhaust	57	60	66	27	28	31	21	22	25

**ELECTRIC HEAT DATA**

Electric Heat Voltage			208V	240V	208V	240V	208V	240V	480V	480V	480V	600V	600V	600V	
<sup>2</sup> Maximum Overcurrent Protection (MOCP)	Unit+ Electric Heat	15 kW	60	60	60	60	70	70	30	30	35	25	25	30	
		22.5 kW	70	80	80	90	80	90	40	40	45	35	35	35	
		30 kW	90	100	100	110	100	125	50	60	60	40	45	45	
		45 kW	150	150	150	150	150	175	80	80	80	60	60	70	70
		60 kW	150	175	150	175	150	175	80	80	90	70	70	70	70
<sup>3</sup> Minimum Circuit Ampacity (MCA)	Unit+ Electric Heat	15 kW	49	55	53	59	60	66	27	29	33	22	23	26	
		22.5 kW	69	78	72	81	80	89	39	40	44	31	32	35	
		30 kW	88	100	92	104	100	112	50	52	55	40	41	44	
		45 kW	127	145	131	149	139	157	72	74	78	58	60	62	
		60 kW	135	154	139	158	146	166	77	79	82	62	63	66	
<sup>2</sup> Maximum Overcurrent Protection (MOCP)	Unit+ Electric Heat and (2) 0.5 HP Power Exhaust	15 kW	70	70	70	70	80	80	35	35	40	30	30	30	
		22.5 kW	80	90	90	100	100	100	45	45	50	35	40	40	
		30 kW	100	125	110	125	125	125	60	60	60	45	50	50	
		45 kW	150	175	150	175	150	175	80	80	90	70	70	70	
		60 kW	150	175	150	175	175	200	90	90	90	70	70	70	
<sup>3</sup> Minimum Circuit Ampacity (MCA)	Unit+ Electric Heat and (2) 0.5 HP Power Exhaust	15 kW	60	66	64	70	71	77	32	33	37	26	28	30	
		22.5 kW	80	89	83	92	91	100	43	45	48	35	37	39	
		30 kW	99	111	103	115	111	123	54	56	59	44	46	48	
		45 kW	138	156	142	160	150	168	77	78	82	62	64	67	
		60 kW	146	165	150	169	157	177	81	83	86	66	67	70	

NOTE - All units have a minimum Short Circuit Current Rating (SCCR) of 5000 amps.

<sup>1</sup> Extremes of operating range are plus and minus 10% of line voltage.

<sup>2</sup> HACR type breaker or fuse.

<sup>3</sup> Refer to National or Canadian Electrical Code manual to determine wire, fuse and disconnect size requirements.

**ELECTRICAL/ELECTRIC HEAT DATA**

**12.5 TON**

Model No.		ZCC0150S4M								
<sup>1</sup> Voltage - 60Hz		208/230V - 3 Ph			460V - 3 Ph			575V - 3 Ph		
Compressor 1 (Non-Inverter)	Rated Load Amps	17.6			8.5			6.3		
	Locked Rotor Amps	136			66.1			55.3		
Compressor 2 (Non-Inverter)	Rated Load Amps	22.4			10.6			7.7		
	Locked Rotor Amps	149			75			54		
Outdoor Fan Motors (2)	Full Load Amps (2 Non-ECM)	3			1.5			1.2		
	Total	6			3			2.4		
Power Exhaust (2) 0.5 HP	Full Load Amps	4.4			1.7			1.7		
	Total	8.8			3.4			3.4		
Indoor Blower Motor	Horsepower	2	3	5	2	3	5	2	3	5
	Full Load Amps	7.5	10.6	16.7	3.4	4.8	7.6	2.7	3.9	6.1
<sup>2</sup> Maximum Overcurrent Protection (MOCP)	Unit Only	80	80	90	35	40	40	25	25	30
	With (2) 0.5 HP Power Exhaust	90	90	90	40	40	45	30	30	35
<sup>3</sup> Minimum Circuit Ampacity (MCA)	Unit Only	60	63	69	29	30	33	22	23	25
	With (2) 0.5 HP Power Exhaust	68	71	78	32	33	36	25	26	28

**ELECTRIC HEAT DATA**

Electric Heat Voltage				208V	240V	208V	240V	208V	240V	480V	480V	480V	600V	600V	600V
<sup>2</sup> Maximum Overcurrent Protection (MOCP)	Electric Heat	Unit+	15 kW	80	80	80	80	90	90	35	40	40	25	25	30
			22.5 kW	80	80	80	90	90	90	40	40	45	35	35	35
			30 kW	90	100	100	110	100	125	50	60	60	40	45	45
			45 kW	150	150	150	150	150	175	80	80	80	60	60	70
			60 kW	150	175	150	175	150	175	80	80	90	70	70	70
<sup>3</sup> Minimum Circuit Ampacity (MCA)	Electric Heat	Unit+	15 kW	60	60	63	63	69	69	29	30	33	22	23	26
			22.5 kW	69	78	72	81	80	89	39	40	44	31	32	35
			30 kW	88	100	92	104	100	112	50	52	55	40	41	44
			45 kW	127	145	131	149	139	157	72	74	78	58	60	62
			60 kW	135	154	139	158	146	166	77	79	82	62	63	66
<sup>2</sup> Maximum Overcurrent Protection (MOCP)	Electric Heat and (2) 0.5 HP Power Exhaust	Unit+	15 kW	90	90	90	90	90	90	40	40	45	30	30	35
			22.5 kW	90	90	90	100	100	100	45	45	50	35	40	40
			30 kW	100	125	110	125	125	125	60	60	60	45	50	50
			45 kW	150	175	150	175	150	175	80	80	90	70	70	70
			60 kW	150	175	150	175	175	200	90	90	90	70	70	70
<sup>3</sup> Minimum Circuit Ampacity (MCA)	Electric Heat and (2) 0.5 HP Power Exhaust	Unit+	15 kW	68	68	71	71	78	78	32	33	37	26	28	30
			22.5 kW	80	89	83	92	91	100	43	45	48	35	37	39
			30 kW	99	111	103	115	111	123	54	56	59	44	46	48
			45 kW	138	156	142	160	150	168	77	78	82	62	64	67
			60 kW	146	165	150	169	157	177	81	83	86	66	67	70

NOTE - All units have a minimum Short Circuit Current Rating (SCCR) of 5000 amps.

<sup>1</sup> Extremes of operating range are plus and minus 10% of line voltage.

<sup>2</sup> HACR type breaker or fuse.

<sup>3</sup> Refer to National or Canadian Electrical Code manual to determine wire, fuse and disconnect size requirements.

<sup>4</sup> Factory installed circuit breaker not available.

## ELECTRICAL ACCESSORIES - FUSE BLOCKS

### 7.5 TON | ZCC092S4M

Motor Horsepower	2		3		5		2	3	5	2	3	5
Electric Heat Voltage	208V	240V	208V	240V	208V	240V	480V	480V	480V	600V	600V	600V
Unit Only	10Z41	10Z41	10Z41	10Z41	10Z41	10Z41	10Z39	10Z39	10Z39	10Z38	10Z38	10Z38
Unit + Power Exhaust	10Z41	10Z41	10Z41	10Z41	10Z42	10Z42	10Z39	10Z39	10Z40	10Z38	10Z38	10Z39

### 8.5 TON | ZCC102S4M

Motor Horsepower	2		3		5		2	3	5	2	3	5
Electric Heat Voltage	208V	240V	208V	240V	208V	240V	480V	480V	480V	600V	600V	600V
Unit Only	10Z41	10Z41	10Z41	10Z41	10Z41	10Z41	10Z39	10Z39	10Z39	10Z38	10Z38	10Z39
Unit + Power Exhaust	10Z41	10Z41	10Z41	10Z41	10Z42	10Z42	10Z39	10Z39	10Z40	10Z38	10Z39	10Z39

### 10 TON | ZCC120S4M

Motor Horsepower	2		3		5		2	3	5	2	3	5
Electric Heat Voltage	208V	240V	208V	240V	208V	240V	480V	480V	480V	600V	600V	600V
Unit Only	10Z41	10Z41	10Z41	10Z41	10Z41	10Z41	10Z39	10Z39	10Z40	10Z38	10Z38	10Z39
Unit + Power Exhaust	10Z41	10Z41	10Z41	10Z41	10Z42	10Z42	10Z40	10Z40	10Z40	10Z38	10Z39	10Z39

### 12.5 TON | ZCC0150S4M

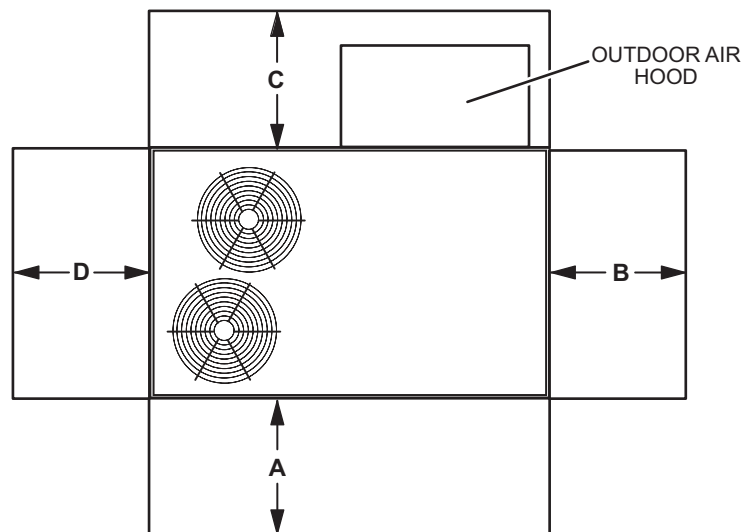
Motor Horsepower	2		3		5		2	3	5	2	3	5
Electric Heat Voltage	208V	240V	208V	240V	208V	240V	480V	480V	480V	600V	600V	600V
Unit Only	10Z42	10Z42	10Z42	10Z42	10Z42	10Z42	10Z39	10Z39	10Z40	10Z39	10Z39	10Z39
Unit + Power Exhaust	10Z42	10Z42	10Z42	10Z42	10Z42	10Z42	10Z40	10Z40	10Z40	10Z39	10Z39	10Z39

## ELECTRIC HEAT CAPACITIES

Volts Input	7.5 kW			15 kW			22.5 kW			30 kW			45 kW			60 kW		
	kW Input	Btuh Output	No. of Stages	kW Input	Btuh Output	No. of Stages	kW Input	Btuh Output	No. of Stages	kW Input	Btuh Output	No. of Stages	kW Input	Btuh Output	No. of Stages	kW Input	Btuh Output	No. of Stages
208	5.6	19,100	1	11.3	38,600	1	16.9	57,700	2	22.5	76,800	2	33.8	115,300	2	45.0	153,600	2
220	6.3	21,500	1	12.6	43,000	1	18.9	64,500	2	25.2	86,000	2	37.8	129,000	2	50.4	172,000	2
230	6.9	23,600	1	13.8	47,100	1	20.7	70,700	2	27.5	93,900	2	41.3	141,000	2	55.1	188,000	2
240	7.5	25,600	1	15.0	51,200	1	22.5	76,800	2	30.0	102,400	2	45.0	153,600	2	60.0	204,800	2
440	6.9	21,500	1	12.6	43,000	1	18.9	64,500	2	25.2	86,000	2	37.8	129,000	2	50.4	172,000	2
460	6.9	23,600	1	13.8	47,100	1	20.7	70,700	2	27.5	93,900	2	41.3	141,000	2	55.1	188,000	2
480	7.5	25,600	1	15.0	51,200	1	22.5	76,800	2	30.0	102,400	2	45.0	153,600	2	60.0	204,800	2
550	6.3	21,500	1	12.6	43,000	1	18.9	64,500	2	25.2	86,000	2	37.8	129,000	2	50.4	172,000	2
575	6.9	23,600	1	13.8	47,100	1	20.7	70,700	2	27.5	93,900	2	41.3	141,000	2	55.1	188,000	2
600	7.5	25,600	1	15.0	51,200	1	22.5	76,800	2	30.0	102,400	2	45.0	153,600	2	60.0	204,800	2

## UNIT CLEARANCES

### UNIT WITH ECONOMIZER



<sup>1</sup> Unit Clearance	A		B		C		D		Top Clearance
	in.	mm	in.	mm	in.	mm	in.	mm	
Service Clearance	60	1524	36	914	36	914	60	1524	Unobstructed
Minimum Operation Clearance	36	914	36	914	36	914	36	914	

NOTE - Entire perimeter of unit base requires support when elevated above the mounting surface.

<sup>1</sup> Service Clearance - Required for removal of serviceable parts.

Minimum Operation Clearance - Required clearance for proper unit operation.

## OUTDOOR SOUND DATA

Unit Model Number	Octave Band Sound Power Levels dBA, re 10 <sup>-12</sup> Watts - Center Frequency - Hz							<sup>1</sup> Sound Rating Number dBA
	125	250	500	1000	2000	4000	8000	
092, 102	72	74	79	80	76	70	63	84
120	76	73	82	80	75	74	73	90
150	76	81	87	86	80	77	76	91

<sup>1</sup> Sound Rating Number according to ARI Standard 270-2008. Sound Rating Number is the overall A-Weighted Sound Power Level, (LWA), dB (100 Hz to 10,000 Hz).

## WEIGHT DATA

Model Number	Net		Shipping	
	lbs.	kg	lbs.	kg
092S Base Unit	874	396	959	435
092S Max. Unit	1031	468	1116	506
102S Base Unit	874	396	959	435
102S Max. Unit	1031	468	1116	506
120S Base Unit	914	415	999	453
120S Max. Unit	1078	489	1163	528
150S Base Unit	1004	455	1089	494
150S Max. Unit	1168	530	1253	568

## OPTIONS / ACCESSORIES

	Shipping Weight		
	lbs.	kg	
<b>ECONOMIZER / OUTDOOR AIR / POWER EXHAUST</b>			
<b>Economizer - With Barometric Relief Dampers and Hoods</b>			
Downflow	90	41	
Horizontal	95	43	
Horizontal Low Profile Barometric Relief Dampers with Hood	8	4	
<b>Outdoor Air Dampers With Hood</b>			
Morotized	44	20	
Manual	27	12	
<b>Power Exhaust</b>			
Downflow	60	27	
Horizontal	41	19	
<b>ELECTRIC HEAT</b>			
7.5 kW	90	41	
15 kW	90	41	
22.5 kW	90	41	
30 kW	90	41	
45 kW	90	41	
60 kW	90	41	
<b>COIL/HAIL GUARDS</b>			
All models	50	23	
<b>ROOF CURBS</b>			
<b>Hybrid Roof Curbs, Downflow</b>			
8 in. height	79	36	
14 in. height	104	47	
18 in. height	120	54	
24 in. height	145	66	
<b>CEILING DIFFUSERS</b>			
Step-Down	RTD11-95S	118	54
	RTD11-135S	135	61
	RTD11-185S	168	76
Flush	FD11-95S	118	54
	FD11-135S	135	61
	FD11-185S	168	76

# DIMENSIONS

# UNIT

Model No.	CORNER WEIGHTS														CENTER OF GRAVITY									
	AA				BB				CC				DD				EE				FF			
	Base		Max.		Base		Max.		Base		Max.		Base		Max.		Base		Max.		Base		Max.	
	lbs.	kg	lbs.	kg	lbs.	kg	lbs.	kg	lbs.	kg	lbs.	kg	lbs.	kg	lbs.	kg	in.	mm	in.	mm	in.	mm	in.	mm
092S	250	113	293	133	185	84	231	105	187	85	224	102	252	114	283	128	47.5	1207	48.5	1232	25.5	648	26.5	673
102S	250	113	293	133	185	84	231	105	187	85	224	102	252	114	283	128	47.5	1207	48.5	1232	25.5	648	26.5	673
120S	262	119	306	139	193	88	242	110	195	88	234	106	264	120	296	134	47.5	1207	48.5	1232	25.5	648	26.5	673
150S	287	130	332	150	212	96	262	119	214	97	254	115	290	131	321	145	47.5	1207	48.5	1232	25.5	648	26.5	673

Base Unit - The unit with NO OPTIONS.

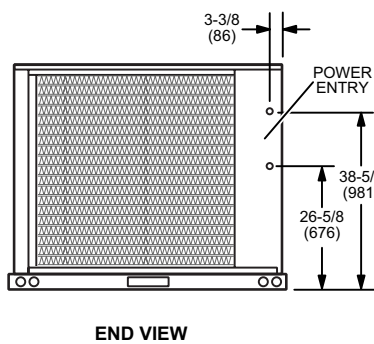
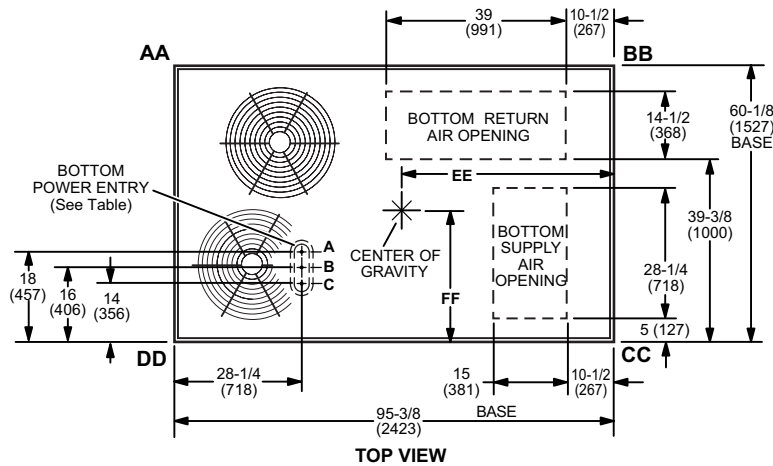
Max. Unit - The unit with ALL OPTIONS Installed. (Economizer, etc.)

## BOTTOM POWER ENTRY

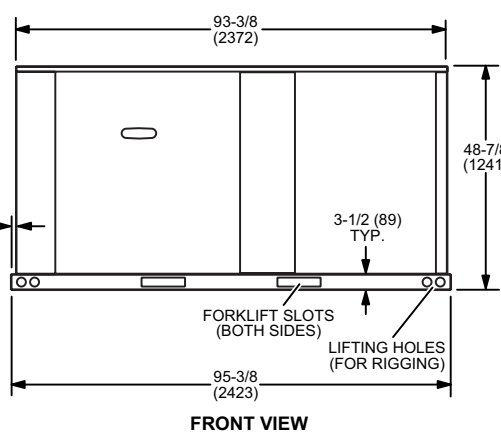
Holes required for Optional Bottom Power Entry Kit

	Threaded Conduit Fittings (Provided in Kit)	Wire Use	Hole Diameter Required in Unit Base (Max.)
<b>A</b>	1 1/2	ACC	7/8 (23)
<b>B</b>	1/2	24V	7/8 (23)
<b>C</b>	1-1/4	POWER	1-3/4 (44)

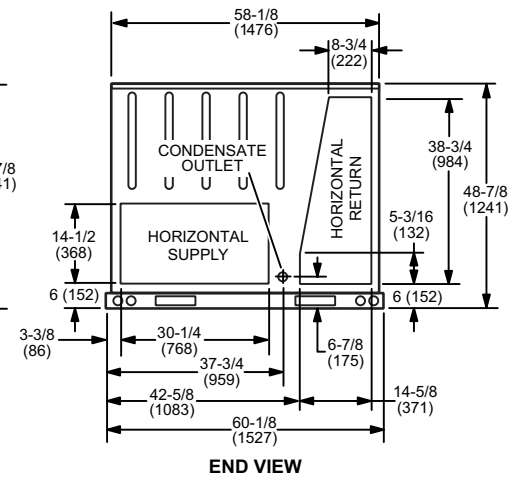
<sup>1</sup> Field provided.



END VIEW

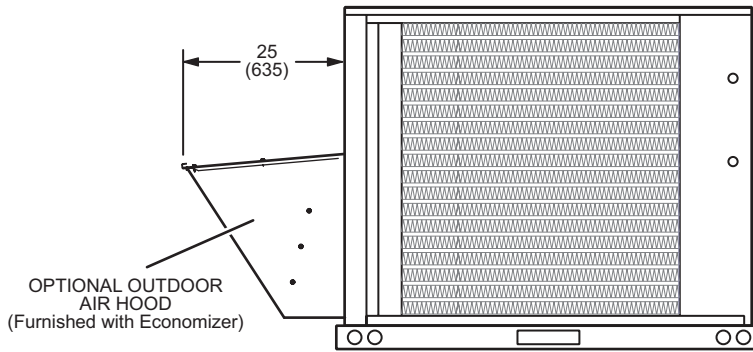


FRONT VIEW

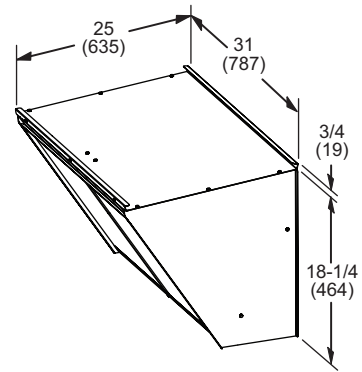


END VIEW

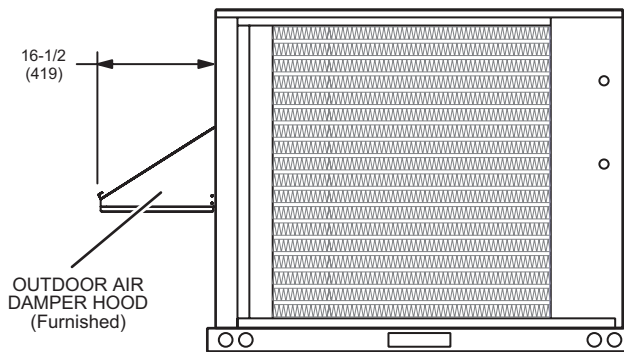
**OUTDOOR AIR HOOD DETAIL FOR OPTIONAL DOWNFLOW ECONOMIZER  
(Downflow Applications)**



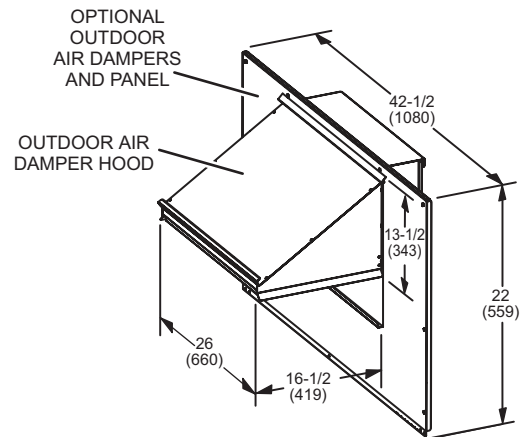
**END VIEW**



**OUTDOOR AIR DAMPER HOOD DETAIL FOR OPTIONAL MANUAL OR MOTORIZED OUTDOOR AIR DAMPERS  
(Downflow or Horizontal Applications)**

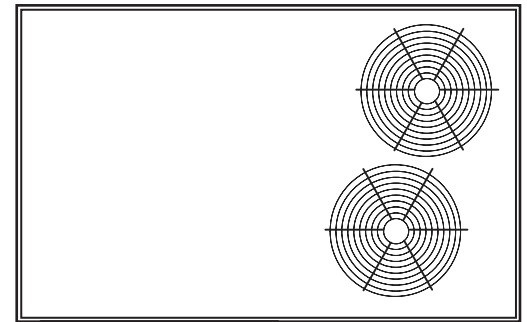


**END VIEW**





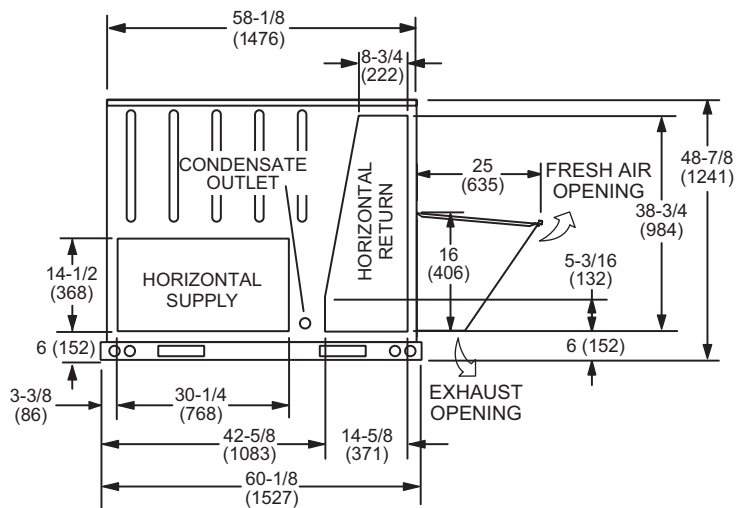
**OUTDOOR AIR HOOD DETAIL WITH OPTIONAL HORIZONTAL ECONOMIZER AND BAROMETRIC RELIEF DAMPERS  
(Horizontal Applications)**



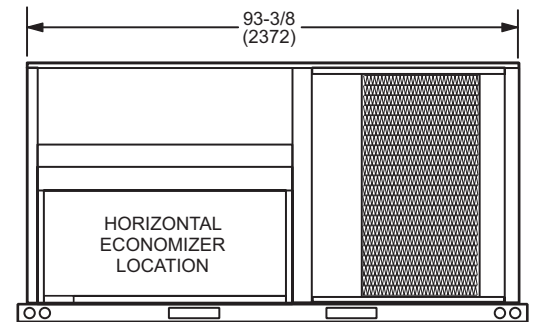
OUTDOOR AIR/  
BAROMETRIC  
RELIEF HOOD  
(Furnished with  
Economizer)

31  
(787)

**TOP VIEW**



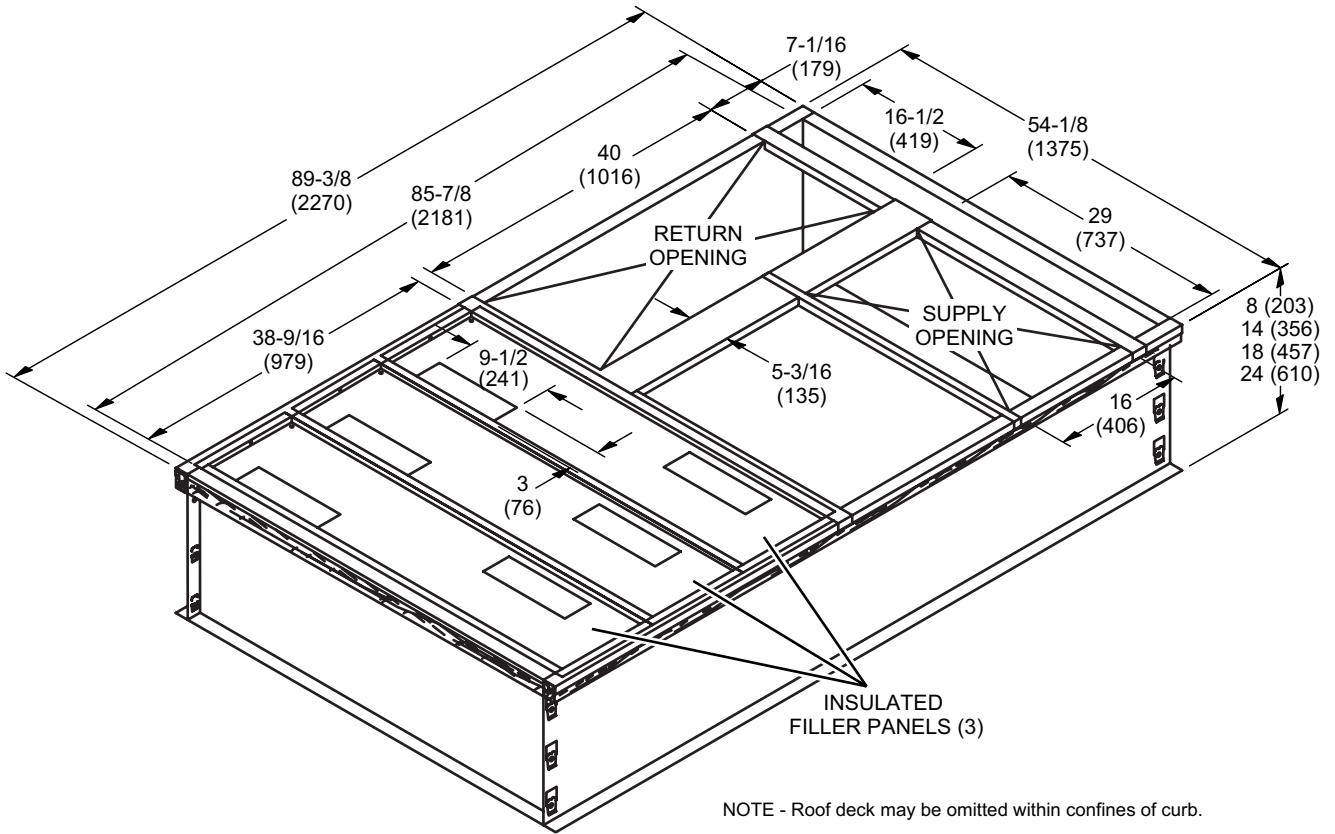
**END VIEW**



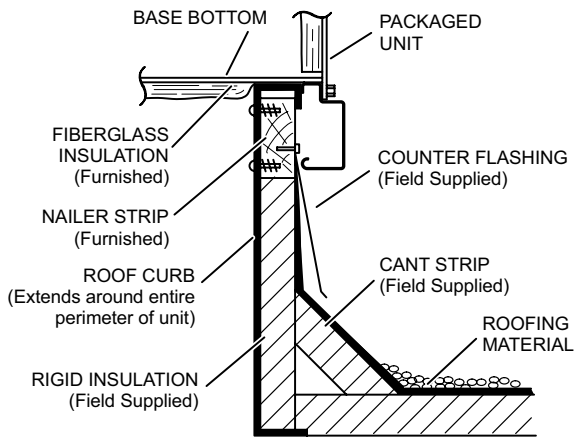
**BACK VIEW**

Note - Supply and Return Air Ducts must be supported.

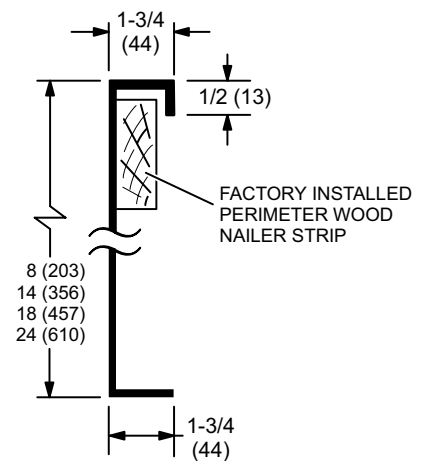
**HYBRID CURBS - DOUBLE DUCT OPENING**



**TYPICAL FLASHING DETAIL FOR ROOF CURB**

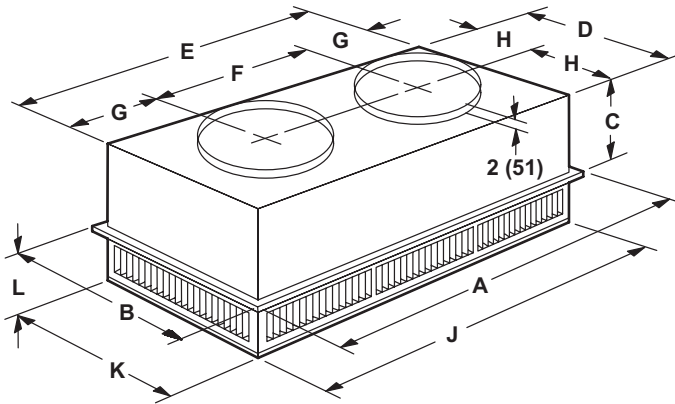


**DETAIL ROOF CURB**

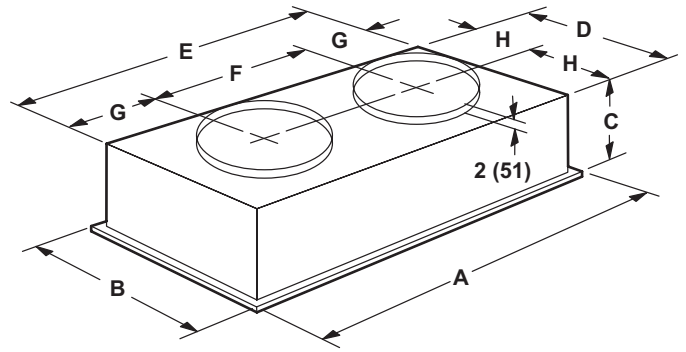


**COMBINATION CEILING SUPPLY AND RETURN DIFFUSERS**

**STEP-DOWN CEILING DIFFUSER**



**FLUSH CEILING DIFFUSER**

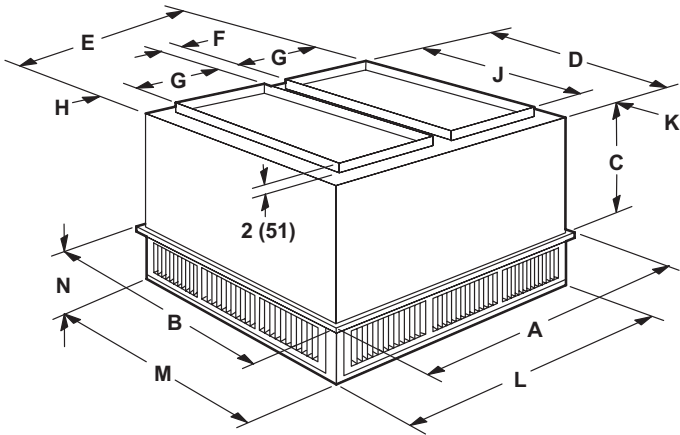


Model Number		RTD11-95S
A	in.	47-5/8
	mm	1159
B	in.	29-5/8
	mm	752
C	in.	14-3/8
	mm	365
D	in.	27-1/2
	mm	699
E	in.	45-1/2
	mm	1158
F	in.	22-1/2
	mm	572
G	in.	11-1/2
	mm	292
H	in.	13-3/4
	mm	349
J	in.	45-1/2
	mm	1156
K	in.	27-1/2
	mm	699
L	in.	8-1/8
	mm	206
Duct Size	in.	20 round
	mm	508 round

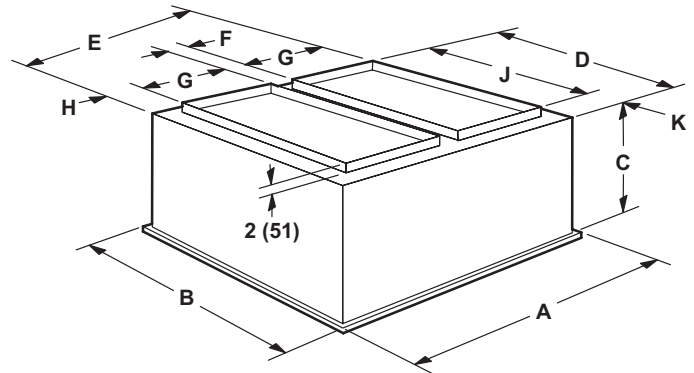
Model Number		FD11-95S
A	in.	47-5/8
	mm	1159
B	in.	29-5/8
	mm	752
C	in.	16-5/8
	mm	422
D	in.	27
	mm	686
E	in.	45
	mm	1143
F	in.	22-1/2
	mm	572
G	in.	11-1/4
	mm	286
H	in.	13-1/2
	mm	343
Duct Size	in.	20 round
	mm	508 round

**COMBINATION CEILING SUPPLY AND RETURN DIFFUSERS**

**STEP-DOWN CEILING DIFFUSER**



**FLUSH CEILING DIFFUSER**



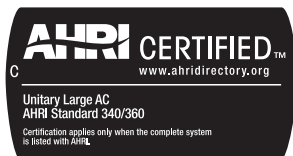
Model Number		RTD11-135S	RTD11-185S
A	in.	47-5/8	47-5/8
	mm	1210	1210
B	in.	35-5/8	47-5/8
	mm	905	1210
C	in.	20-5/8	24-5/8
	mm	524	625
D	in.	33-1/2	45-1/2
	mm	851	1156
E	in.	45-1/2	45-1/2
	mm	1156	1156
F	in.	4-1/2	4-1/2
	mm	114	114
G	in.	18	18
	mm	457	457
H	in.	2-1/2	2-1/2
	mm	64	64
J	in.	28	36
	mm	711	914
K	in.	2-3/4	4-3/4
	mm	70	121
L	in.	45-1/2	45-1/2
	mm	1156	1156
M	in.	33-1/2	45-1/2
	mm	851	1156
N	in.	9-1/8	10-1/8
	mm	232	257
Duct Size	in.	18 x 28	18 x 36
	mm	457 x 711	457 x 914

Model Number		FD11-135S	FD11-185S
A	in.	47-5/8	47-5/8
	mm	1210	1210
B	in.	35-5/8	47-5/8
	mm	905	1210
C	in.	23-1/4	29-1/4
	mm	591	743
D	in.	33	45
	mm	838	1143
E	in.	45	45
	mm	1143	1143
F	in.	4-1/2	4-1/2
	mm	114	114
G	in.	18	18
	mm	457	457
H	in.	2-1/4	2-1/4
	mm	57	57
J	in.	28	36
	mm	711	914
K	in.	2-1/2	4-1/2
	mm	64	114
Duct Size	in.	18 x 28	18 x 36
	mm	457 x 711	457 x 914



## REVISIONS

Sections	Description of Change
Optional Conventional Temperature Control Systems	Added Cooling Stage-Up Timer Relay Optional Accessory for CS3000 Thermostat



Visit us at [www.Lennox.com](http://www.Lennox.com)

For the latest technical information, [www.LennoxCommercial.com](http://www.LennoxCommercial.com)

Contact us at 1-800-4-LENNOX

NOTE - Due to Lennox' ongoing commitment to quality, Specifications, Ratings and Dimensions subject to change without notice and without incurring liability. Improper installation, adjustment, alteration, service or maintenance can cause property damage or personal injury. Installation and service must be performed by a qualified installer and servicing agency.

©2023 Lennox Industries, Inc.