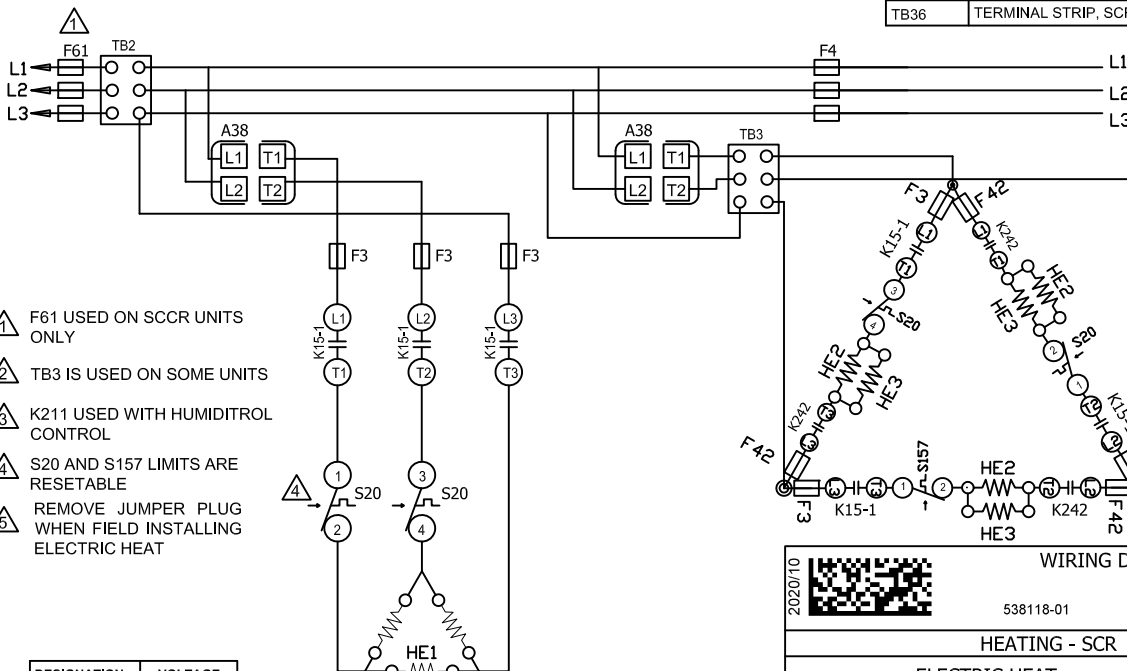


A AND B UNITS

KW	HEATING ELEMENTS			SCR AMPS	
	HE1	HE2	HE3	208V	240V
7.5	7.5			30	30
15	15			40	40
22.5		15	7.5	50	75
30		15	15	75	75

J/P	DESCRIPTION
2	ELECTRIC HEAT
297	PLUG, THERMOSTAT INTERFACE
393	PLUG, ELECTRIC HEAT CONTROL

A38	CONTROL, SCR ELECTRIC HEAT
A55	PANEL, MAIN
A104	THERMOSTAT, SUPPLY AIR
F3	FUSE, ELECTRIC HEAT 1
F4	FUSE, UNIT
F42	FUSE, ELECTRIC HEAT 2
F61	FUSE, SCCR OPTION UNIT
HE1	ELEMENT, ELECTRIC HEAT 1
HE2	ELEMENT, ELECTRIC HEAT 2
HE3	ELEMENT, ELECTRIC HEAT 3
K15,-1	CONTACTOR, ELECTRIC HEAT 1
K161,-1	RELAY, SCR INTERRUPT
K162,-1	RELAY, SCR HIGH OUTPUT
K211-1	RELAY, LOCKOUT
K242	CONTACTOR, ELECTRIC HEAT 1
RT20	SENSOR, DISCHARGE SCR
S15	SWITCH, LIMIT PRIMARY ELECTRIC HEAT
S20	SWITCH, LIMIT SECONDARY ELEC. HEAT 1
S26	THERMOSTAT, AMBIENT
S157	SWITCH, LIMIT SECONDARY ELEC. HEAT 2
TB2	TERMINAL STRIP, UNIT
TB3	TERMINAL STRIP, ELECTRIC HEAT
TB36	TERMINAL STRIP, SCR



- ⚠ F61 USED ON SCCR UNITS ONLY
- ⚠ TB3 IS USED ON SOME UNITS
- ⚠ K211 USED WITH HUMIDITROL CONTROL
- ⚠ S20 AND S157 LIMITS ARE RESETTABLE
- ⚠ REMOVE JUMPER PLUG WHEN FIELD INSTALLING ELECTRIC HEAT

DESIGNATION	VOLTAGE
Y	208-230/60/3
G	460/60/3
J	575/60/3
M	380-420/50/3

← DENOTES OPTIONAL COMPONENTS

2020/10	WIRING DIAGRAM	10/20
538118-01		
HEATING - SCR		
ELECTRIC HEAT E1EH - 7.5, 15, 22.5, 30 - Y		
SECTION A		REV. 0
Supersedes		New Form No. 538118-01