



MPC

Mini-Split

Multi-Zone Heat Pump Outdoor Units - R-410A - 60 Hz

**RESIDENTIAL / COMMERCIAL
PRODUCT SPECIFICATIONS**

Form Number 211039

April 2024

Supersedes all previous versions

MPC048 Heat Pump Outdoor Unit



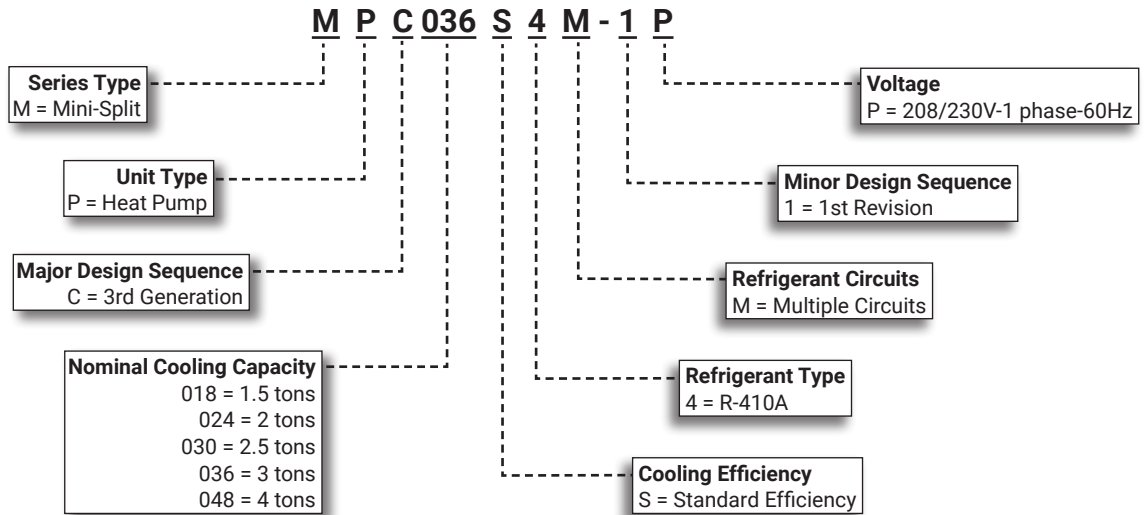
MPC018 thru 036 Heat Pump Outdoor Units



Certain models have earned the ENERGY STAR® mark by meeting strict energy efficiency guidelines set by the US EPA.

Up to 5 Zones
SEER2 - up to 24.6 / SEER - up to 24.1
HSPF2 up to 10.5 / HSPF - up to 13.3
1.5 to 4 Tons
Cooling Capacity - 18,000 to 49,000 Btuh
Heating Capacity - 19,000 to 50,000 Btuh

MODEL NUMBER IDENTIFICATION



CONTENTS

AHRI Ratings	12
Approvals And Warranty	4
Dimensions	32
Features	4
- Indoor Units Overview	6
- Outdoor Units	4
Installation Clearances	35
Line Set And Elevation Guidelines	36
Model Number Identification	2
Multi-Zone System Combinations	13
Optional Accessories - Order Separately	11
Outdoor To Indoor Unit Line Connections - Two Zones	19
Sound Levels - Test Conditions	12
Specifications	9
- 1.5 Ton 2 Ton 2.5 Ton	9
- 3 Ton 4 Ton	10
System Components	3

SYSTEM COMPONENTS



MMDB Medium Static Ducted Indoor Unit
with Wired Remote Controller (furnished)



MWMC Wall-Mounted
Non-Ducted Indoor Unit
with Wireless Remote (furnished)



M22A/M33C Cassette
Non-Ducted Indoor Unit
with Wireless Remote (furnished)



MFMA Floor-Mount Console
Non-Ducted Indoor Unit
with Wireless Remote (furnished)



MCFA/MCFB Ceiling/Floor-Mount
Non-Ducted Indoor Unit
with Wireless Remote (furnished)



MPC036 and 048 Outdoor Unit
(not shown - MPC018 thru 030)

Depending on capacity,
multi-zone heat pumps
allow up to five indoor
units (5 zones) to be
connected to one
outdoor unit.



MMA Multi-Position
Air Handler
with Wired and Wireless
Remote (furnished)

APPROVALS AND WARRANTY

APPROVALS

- AHRI Standard 210/240 certified with Addenda 1 and 2
- ENERGY STAR® certified units (certain models) are designed to use less energy, help save money on utility bills, and help protect the environment
- Rated According to U.S. Department of Energy (DOE) test procedures
- Outdoor units and components UL and CEC bonded for grounding to meet safety standards for servicing
- ETL certified for the U.S. and Canada
- Meets 2014 Florida Building Code Wind Design Criteria
 - Ultimate Wind Speed – 186 miles per hour
 - Risk Categories – III and IV
 - Wind Exposures – C and D
 - Mean Roof Heights – Up to 60 feet above ground

WARRANTY

- Compressor - Limited seven years
- All other covered components
 - Limited five years in all applications
- Accessories and controls - Limited one year

NOTE - Refer to Lennox Basic Limited Warranty at www.Lennox.com for additional details.

FEATURES

APPLICATIONS

- 1.5 through 4 ton
- Single phase power supply (208/230V)
- Sound levels as low as 58.5 dBA
- Ductless mini-split systems provide a wide range of capacities and applications and provide an alternative when a ducted system is impractical or cost prohibitive
- Depending on capacity, multi-zone heat pumps allow up to five indoor units (5 zones) to be connected to one outdoor unit
- Units shipped completely factory assembled, internally piped, and wired

NOTE - Outdoor unit is designed for outdoor location only.

NOTE - it is recommended that Medium Static Ducted Indoor Units not be installed in unconditioned spaces with temperatures above 100°F.

REFRIGERATION SYSTEM

R-410A Refrigerant

- Non-chlorine, ozone friendly
- Unit is factory pre-charged

Outdoor Coil

- Aluminum fins fitted to copper tubes
- Wire grille guard provided

Outdoor Fan

- Direct drive fan moves large air volumes uniformly through entire outdoor coil for high refrigeration capacity
- Fan guard provided

OUTDOOR UNITS

Refrigerant Line Connections, Service Valve

- Flare connection lines are located on side of unit cabinet
- Fully serviceable brass service valve prevents corrosion and provides access to refrigerant system

COMPRESSOR

Variable Frequency Rotary Compressor

- Compressor features high efficiency operation
- Balanced for reduced vibration and quiet operation
- Brushless DC motor uses powerful Neodymium magnets, which are approximately 15-20 times stronger than ferrite magnets used in conventional AC compressors

Compressor Crankcase Heater

- Protects against liquid refrigerant migration that can occur during low ambient operation

CONTROLS

DC Inverter Control

- Provides continuous operation, while adjusting capacity according to room temperature
- The accurate sensing of cooling loads prevents frequent changes in capacity and ensures efficient, economical operation

Inverter Module Protection

- Protects against differences in current, voltage and temperature
- Displays code on the indoor unit indicating a need for servicing

CONTROLS (continued)**Outdoor Unit Microprocessor**

- Electronic expansion valve control
- Automatic compressor timed-off protection (3 minutes)
- Temperature sensor
- LEDs on control display error codes and assist in troubleshooting
- 4-Way reversing valve control

Electronic Expansion Valve

- Furnished on all models

Compressor Overcurrent Protection

- Overcurrent protection can result due to any of the following:
 - Ambient temperature is too high
 - Locked rotor on the compressor
 - Outdoor air is blocked or restricted

Condenser High Temperature Protection

- Condenser high temperature can occur due to any of the following conditions:
 - High outdoor ambient
 - Outdoor fan blocked
 - Outdoor coil blocked
- The outdoor coil thermistor continuously monitors the temperature and communicates with the microprocessor
- Depending on the temperature measured, the compressor will be allowed to increase the frequency if needed to meet the load or is forced to run at the current or reduced frequency
- If the temperature becomes excessively high the compressor will be de-energized

Compressor Discharge Temperature Protection

- The compressor discharge line thermistor continuously monitors the temperature and communicates with the microprocessor
- Depending on the temperature measured, the compressor will be allowed to increase the frequency to meet the load or is forced to run at the current or reduced frequency
- If the temperature becomes excessively high, the compressor will be de-energized

Voltage Protection

- Protects unit from low or high voltage fluctuations

Terminal Strip

- Furnished for easy wiring connections

Defrost Control

- Defrost cycle is automatically enabled if there is a build-up of frost on the outdoor coil
- Outdoor fan operation is terminated during the defrost cycle
- Indoor fan changes to ultra low speed during the defrost cycle to help bring warm refrigerant back to the outdoor coil to assist during defrost operation
- Defrost LED is lit on the indoor unit panel on the front cover during a defrost cycle

Reversing Valve

- 4-way interchange reversing valve effects a rapid change in direction of refrigerant flow resulting in quick changeover from cooling to heating and vice versa
- Valve operates on pressure differential between outdoor unit and indoor unit of the system

CABINET

- Constructed of heavy gauge steel
- Tabs on unit base allow secure mounting to slab
- Condensate drain outlets furnished on unit base

NOTE - Drain must be field furnished.

- Pan heater prevents ice build-up in the bottom of the unit during heating operation
- Access cover for power and control wiring connections
- Access cover for service valves

WALL-MOUNTED INDOOR UNITS



- Low-sound, three-speed Wall Mount with LED display
- Swing louver angles to 90°
- Unit installs horizontally on a vertical wall
- Wall plate furnished for installation
- Wireless remote controller furnished

NOTE - See the MWM Product Specifications bulletin for more information.

CASSETTE INDOOR UNITS



- Cassette unit with LED display
- Low-sound
- Galvanized steel case
- Offers 360° airflow for immediate, equal distribution of wide-range cooling and heating
- 360° Airflow Panel - Allows for even, wide-range cooling and heating
- Wireless remote controller furnished

NOTE - The cassette panel must be ordered separately.

NOTE - See the M22/M33 Product Specifications bulletin for more information.

CEILING/FLOOR MOUNT INDOOR UNITS



- Low-sound, three-speed Ceiling and Floor Mount models with LED display
- Multi-blade fan distributes air vertically and horizontally with a wide angle sweeping motion
- Two installation options are available:
 1. Horizontally against the ceiling
 2. Vertically against the floor/wall
- Wireless remote controller furnished

NOTE - See the MCF Product Specifications bulletin for more information.

FLOOR MOUNT CONSOLE INDOOR UNIT



- Low-sound, three-speed Floor Mount Console model with LED display
- Multi-blade fan distributes air vertically and horizontally with a wide angle sweeping motion
- Swing louver angles to 90°
- Installed vertically against the floor/wall
- Wireless remote controller furnished

NOTE - See the MFM Product Specifications bulletin for more information.

MEDIUM STATIC DUCTED INDOOR UNITS



- Slim, compact design for limited space requirements. Installs out of sight between the drop ceiling and ceiling slab with ducted distribution to the indoor space
- Wired remote controller furnished

NOTE - See the MMD Product Specifications bulletin for more information.

MULTI-POSITION AIR HANDLER



- Constant torque blower motor
- Multi-position cabinet (upflow, downflow, horizontal)
- Completely insulated with foil faced fiberglass insulation
- Low Leakage (less than 2%) Cabinet
- Wired and wireless remote controller furnished

NOTE - MMA036, MMA048 and MMA060 air handlers are not approved for multi-zone matches.

NOTE - See the MMA Product Specifications bulletin for more information.

OPTIONAL ACCESSORIES - ORDER SEPARATELY

OUTDOOR UNITS

Condenser Pad

- Provides permanent foundation for outdoor units
- One-piece lightweight structural foam and molded from high-density polyethylene (HDPE)
- Lightweight, easy to carry and install
- Textured finish provides a non-skid surface so outdoor unit sits securely in one place
- UV stable

Disconnects

- Positive unit disconnect
- Single door enclosure
- Fused and non-fused models available

Fuses

- 30 and 60 amp fuses available

Hail Guards

- Protects outdoor coils on all sides without inhibiting airflow or performance
- Self-tapping screws provided for installation
- Flat shape allows for outdoor units to be placed close together
- Each kit contains all required guards
- Order one hail guard kit per outdoor unit

Indoor/Outdoor Wiring Cable

- 14-gauge, 4-conductor wire
- THHN (Thermoplastic High Heat-resistant Nylon-coated) wire
- Suitable for wet or dry locations
- Rated up to 600V

Refrigerant Line Sets

- Refrigerant lines are shipped refrigeration clean
- Lines are cleaned, dried, pressurized and sealed at factory

Wall Brackets

- Heavy duty 1/8 in. thick steel brackets for supporting outdoor units
- Mount at any height to allow for easy maintenance under units
- Pre-punched holes for easy installation
- Powder coated gray finish
- Load rating 600 lbs. per pair

Whips

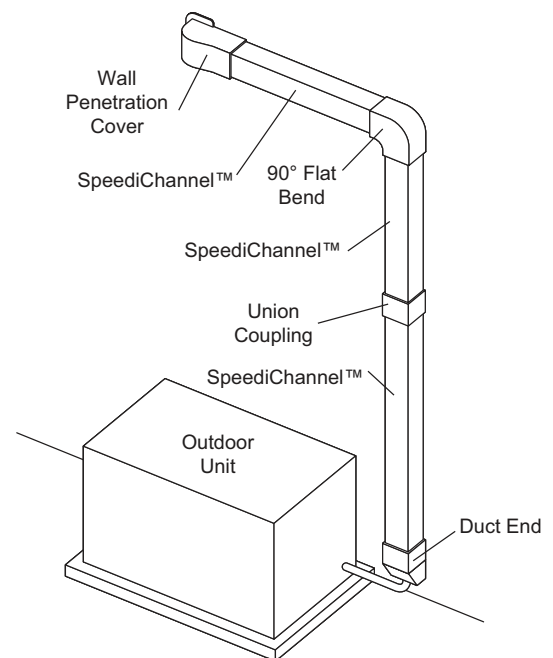
- Heavy duty electrical whips are available in 8 and 10 gauge sizes
- 6 ft. lengths
- Weatherproof metal conduit

SPEEDICHANNEL™ SYSTEM



- SpeediChannel™ is a channel system covers system line sets
- Two-part system has a base and a cover
- Base is fastened to a wall or ceiling with plastic clips (SpeediClip™) that snap into a channel already molded into the base
- Cover fits on top of the base
- Manufactured from rigid PVC, which is UL rated and resistant to UV light
- System is a natural color that closely matches typical mini-split outdoor units
- Can be painted as desired to match any wall color

Typical Application



OPTIONAL ACCESSORIES - ORDER SEPARATELY

SPEEDICHANNEL™ SYSTEM (continued)

SpeediChannel™ Starter Kit

- The starter kit includes (1) Coupling, (1) Wall Penetration, (1) Inside Elbow, (1) Long Radius Flat Bend, (10) Speediclips™, (10) 11 in. Cable Ties, and (1) SpeediChannel Instruction Booklet

Duct End

- Duct Ends are used to terminate a run of SpeediChannel™ to a small opening just large enough for the line set and condensate drain line to pass through



Flat Wall Escutcheon

- Flat Wall Escutcheons are used to cover a rough opening in a soffit, wall, or ceiling penetration



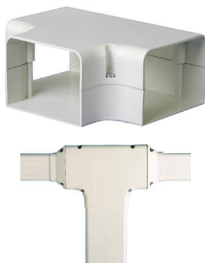
- One side of the escutcheon is flat to allow for a SpeediChannel™ to run along a wall and to penetrate through an adjacent wall or ceiling
- This is the most common type of wall penetration
- Furnished in two parts, the escutcheon easily snaps onto the SpeediChannel™

Flex Joint

- A Flex Joint is an accordion-style piece of SpeediChannel™
- The flex joint can be extremely flexible when routing a SpeediChannel™ system around an obstacle
- Each joint is 20 in. long and can be combined together for longer flex runs
- The flex joint does not require the use of a union coupling
- The flex joint slides tightly inside the SpeediChannel™ system

T-Joint

- T-Joints are used for creating a tee connection between three pieces of SpeediChannel™
- Each tee is individually packed and furnished with stainless steel screws



Union Coupling

- Union Couplings are used for joining two pieces of SpeediChannel™
- Each coupling is individually packed and furnished with stainless steel screws



Wall Penetration Cover

- Wall penetration covers are used to transition from the SpeediChannel™ system to a through wall penetration
- Wall covers are designed to allow for easy installation, even after the line set has been installed
- A hooking and fastening arrangement allows for quick installation
- Each wall cover is individually packed, and furnished with stainless steel screws to attach the wall cover to the base
- Three screws are necessary to fasten the wall cover to the wall construction, regardless of the type of installed system



45° and 90° Flat Bend Elbows

- 45° Flat Bends are used to route the SpeediChannel™ around obstacles
- Each bend is individually packed and furnished with stainless steel screws



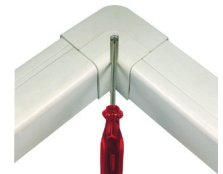
45°



90°

90° Inside Elbow

- 90° Inside Elbows are used to route the SpeediChannel™ around an inside corner
- Each elbow is individually packed and furnished with stainless steel screws



Mount Block White Qty. (2) 14 in. and (2) 36 in.

- Mount Blocks are used as mounting bases when outdoor units must be bolted down
- End caps (for aesthetics) come furnished with mounting bolts
- Maximum load capacity is 900 pounds per mounting block
- Installation temperatures range from -4°F to 140°F
- Mount blocks fit all mini-split outdoor units with a sliding rail feature



SPECIFICATIONS		1.5 TON 2 TON 2.5 TON		
Nominal Size - Tons		1.5	2	2.5
Outdoor Unit Model		MPC018S4M	MPC024S4M	MPC030S4M
Number of Zones		2	Up to 3	Up to 3
Ambient Temperature Range - °F	Cooling	-13 - 122	-13 - 122	-13 - 122
	Heating	-13 - 86	-13 - 86	-13 - 86
Sound Data (dBA)	Cooling	58.5	61	61
	Heating	58.5	61	61
Refrigerant	Charge furnished (R-410A)	4 lbs. 1 oz.	5 lbs. 11 oz.	5 lbs. 11 oz.
	Maximum line length with furnished charge (per zone) - ft.	49	74	74
	Additional charge required per ft. - oz.	0.16	0.16	0.16
Compressor	No. and Type	(1) Rotary	(1) Rotary	(1) Rotary
	Refrigerant oil type	VG74	VG74	VG74
	Refrigerant oil charge - oz.	15.20	21.00	21.00
Connections	Liquid+Gas pipe (in.) flare	(2) 1/4 + (2) 3/8	(3) 1/4 + (3) 3/8	(3) 1/4 + (3) 3/8
	Max pipe. length for all rooms - ft.	131	197	197
	Max. pipe length for one indoor unit - ft.	82	98	98
	Max. height difference between indoor and outdoor units - ft.	49	49	49
	Max. height difference between indoor units - ft.	33	33	33
Outdoor Fan	(No.) Diameter - in.	(1) 21	(1) 22	(1) 22
	Total air volume - cfm	1765	2130	2130
	Motor rpm	750/500	1050/900/850	1050/900/850
Outdoor Coil	Number of rows	2	2	2
	Fins per inch	18	18	18
	Fin type	Hydrophilic Aluminum		
	Tube outside diameter - in.	3/8	3/8	3/8
	Tube type	Rifled Copper Tubing		
	Net face area - ft. ²	5.90	8.18	8.18
Design Pressure	PSIG	540 / 340	540 / 340	540 / 340
Shipping Data	Net/Shipping weight (lbs.)	100 / 109	140 / 151	140 / 151
ELECTRICAL DATA				
Electrical Characteristics - 60 Hz - 1 Phase		208/230V	208/230V	208/230V
¹ Maximum Overcurrent Protection (MOCP) amps		20	30	30
² Minimum circuit ampacity (MCA)		14	24.5	24.5
Outdoor Fan Motor	Output - W	80	120	120

NOTE - Extremes of operating range are plus and minus 10% of line voltage.

¹ HACR type circuit breaker or fuse.

² Refer to National or Canadian Electrical Code manual to determine wire, fuse and disconnect size requirements.

NOTE - Adaptors are furnished for the gas pipe connections:

018 - (2) 3/8 x 1/2 in.

030 - (3) 3/8 x 1/2 in.

SPECIFICATIONS		3 TON 4 TON	
Nominal Size - Tons		3	4
Outdoor Unit Model		MPC036S4M	MPC048S4M
Number of Zones		Up to 4	Up to 5
Ambient Temperature Range - °F	Cooling	-13 - 122	-13 - 122
	Heating	-13 - 86	-13 - 86
Sound Data (dBA)	Cooling	63	64
	Heating	63	64
Refrigerant	Charge furnished (R-410A)	8 lbs. 6 oz.	³ 10 lbs. 2 oz.
	Maximum line length with furnished charge (per zone) - ft.	98	123
	Additional charge required per ft. - oz.	0.16	0.16
Compressor	No. and Type	(1) Rotary	(1) Rotary
	Refrigerant oil type	VG74	VG74
	Refrigerant oil charge - oz.	33.80	47.30
Connections	Liquid+Gas+Gas pipe (in.) flare	(4) 1/4 + (3) 3/8 / (1) 1/2"	(5) 1/4 + (3) 3/8 / (2) 1/2"
	Max pipe. length for all rooms - ft.	262	262
	Max. pipe length for one indoor unit - ft.	115	115
	Max. height difference between indoor and outdoor units - ft.	49	49
	Max. height difference between indoor units - ft.	33	33
Outdoor Fan(s)	(No.) Diameter - in.	(1) 22	(2) 22
	Total air volume - cfm	2150	4500
	Motor rpm	1000/900/750	800/700/600
Outdoor Coil	Number of rows	2.6	2
	Fins per inch	16	18
	Fin type	Hydrophilic Aluminum	
	Tube outside diameter - in.	3/8	3/8
	Tube type	Rifled Copper Tubing	
	Net face area - ft. ²	8.16	6.66+6.66
Design Pressure	PSIG	540 / 340	540 / 340
Shipping Data	Net/Shipping weight (lbs.)	169 / 181	224 / 255
ELECTRICAL DATA			
Electrical Characteristics - 60 Hz - 1 Phase		208/230V	208/230V
	¹ Maximum Overcurrent Protection (MOCP) amps	40	50
	² Minimum circuit ampacity (MCA)	25	35
Outdoor Fan Motor	Output - W	120	(2) 85

NOTE - Extremes of operating range are plus and minus 10% of line voltage.

¹ HACR type circuit breaker or fuse.

² Refer to National or Canadian Electrical Code manual to determine wire, fuse and disconnect size requirements.

³ If matched with the MMA036 air handler an additional charge of 1 lbs. 2 oz. is required.

NOTE - Adaptors are furnished for the gas pipe connections:

036 - (3) 3/8 x 1/2 in. and (1) 1/2 x 3/8 in.

048 - (3) 3/8 x 1/2 in., (2) 1/2 x 3/8 in., (2) 1/4 x 3/8 in. and (2) 1/2 x 5/8 in.

OPTIONAL ACCESSORIES - ORDER SEPARATELY

Description	Order No.	Size				
		018	024	030	036	048
OUTDOOR UNIT						
Condenser Pad (18 x 38 x 3)	Y5014	•	•	•	•	•
Disconnects	30 amp, fused, 1 ph	27P37	•	•	•	•
	60 amp, non-fused, 1 ph	27P39	•	•	•	•
Fuses	30A	83P75	•	•	•	•
	60A	83P77	•	•	•	•
Hail Guards (H x W)	(1) 22-7/8 x 32 in. + (1) 22-1/4 x 11 in.	24M85	•	•	•	
	(1) 28-5/8 x 33-1/2 in. + (1) 28-5/8 x 12-7/8 in.	24M84				•
	(1) 48-5/8 x 29-1/8 + (1) 48-5/8 x 11-1/2 in.	24M83				•
¹ Line Sets	1/4 in. x 3/8 in. x 25 ft.	90X53	•	•	•	•
	1/4 in. x 3/8 in. x 50 ft.	X0258	•	•	•	•
	1/4 in. x 1/2 in. x 25 ft.	90X52	•	•	•	•
	1/4 in. x 1/2 in. x 50 ft.	X0259	•	•	•	•
	3/8 in. x 5/8 in. x 25 ft.	X8406	N/A			•
	3/8 in. x 5/8 in. x 50 ft.	X8407	N/A			•
	Wall Brackets	30 inch	X1727	•	N/A	
36 inch		X1728	N/A	•	•	•
Whips	10 Gauge - 1/2 in. x 6 ft.	29P54	•	•	•	•
	8 Gauge - 3/4 in. x 6 ft.	27P44	•	•	•	•
SPEEDICHANNEL™ SYSTEM						
SpeediChannel™ Starter Kit - 4 in.	Y3387	•	•	•	•	•
SpeediChannel - 4 in. x 6-1/2 ft. (qty. 6)	Y3388	•	•	•	•	•
Union Coupling - 4 in.	Y3389	•	•	•	•	•
90° Flat Bend Elbow - 4 in.	Y3390	•	•	•	•	•
90° Inside Elbow - 4 in.	Y3391	•	•	•	•	•
45° Flat Bend Elbow - 4 in.	Y3392	•	•	•	•	•
Flex Joint - 4 in.	Y3393	•	•	•	•	•
T-Joint - 4 in.	Y3394	•	•	•	•	•
Duct End - 4 in.	Y3395	•	•	•	•	•
Flat Wall Escutcheon - 4 in.	Y3396	•	•	•	•	•
Wall Penetration Cover - 4 in.	Y3399	•	•	•	•	•
Mount Block (White) Qty, 2 - 14 in.	Y3397	•	•	•	•	•
Mount Block (White) Qty, 2 - 36 in.	Y3398	•	•	•	•	•

¹ See "Outdoor To Indoor Unit Line Connections" tables starting on page 23 for correct refrigerant line adaptors furnished with outdoor units.

AHRI RATINGS

Outdoor Unit Model	System Type	2017						2023					1 AHRI Reference Number
		Cooling Capacity	SEER	EER	Heat Capacity		HSPF (IV)	Cooling Capacity	SEER2	EER2	High Heat	HSPF2 (IV)	
					High	Low							
MPC018S4M-1P	Non-Duct	18000	22.5	13.3	19000	11000	10.6	18000	22.9	13.9	19000	10.5	207768721
MPC018S4M-1P	Duct	18000	19	12	19000	11800	10.8	18000	19.0	12.0	19000	9.8	207768722
MPC018S4M-1P	Mixed	18000	20.75	12.65	19000	11400	10.7	17900	20.95	12.95	19000	10.15	207768723
MPC024S4M-1P	Non-Duct	24000	24.1	13	25000	15000	11	24000	24.6	13.4	25000	10.0	207699116
MPC024S4M-1P	Duct	24000	15.5	11	24000	18500	9	24000	16.0	11.7	24000	8.6	207699117
MPC024S4M-1P	Mixed	24000	19.8	12	24400	16700	10	24000	20.3	12.55	24400	9.3	207699118
MPC030S4M-1P	Non-Duct	28000	23.8	12.5	28000	16000	10.5	28000	24.6	12.7	28000	9.3	207699110
MPC030S4M-1P	Duct	28000	19.5	11.2	28000	16000	10.2	28000	20.7	11.7	28000	9.2	207699111
MPC030S4M-1P	Mixed	28000	21.65	11.85	28000	16000	10.35	28000	22.65	12.2	28000	9.25	207699112
MPC036S4M-1P	Non-Duct	36000	23	11.5	37000	23400	11.3	36000	23.9	11.7	37000	9.3	207768724
MPC036S4M-1P	Duct	36000	19.5	11	37000	23000	10.7	36000	20.0	11.0	37000	9.2	207768725
MPC036S4M-1P	Mixed	36000	21.25	11.25	37000	23200	11	36000	21.95	11.35	37000	9.35	207768726
MPC048S4M-1P	Non-Duct	48000	22.4	12.5	48000	33000	11	48000	23.4	12.2	48000	8.7	207699101
MPC048S4M-1P	Duct	49000	20.5	10.1	50000	33000	11.5	48000	20.0	10.8	50000	9.7	207699102
MPC048S4M-1P	Mixed	48500	21.45	11.3	49000	33000	11.25	48000	21.9	11.55	49000	9.2	207699103

¹ Bold Reference Numbers indicate Energy Star approval.

NOTE - MMA036, MMA048 and MMA060 air handlers are not approved for multi-zone matches.

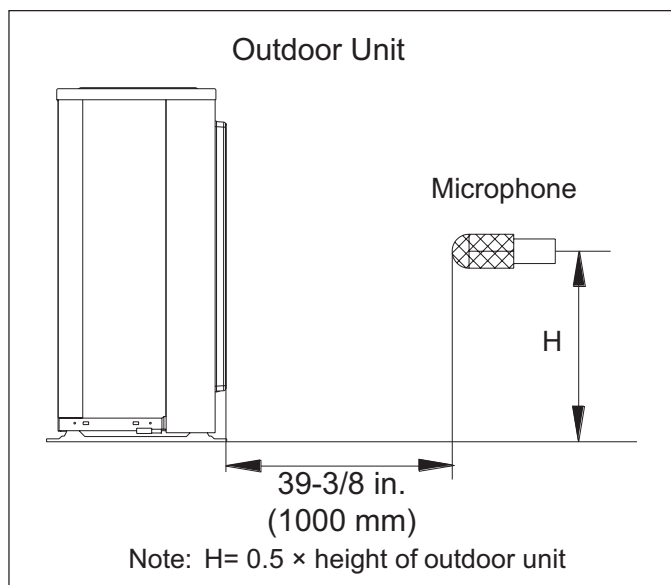
NOTE - Per AHRI, the certified ratings for systems are valid for all combinations of indoor units with the specific outdoor units listed above and in the AHRI Directory of Certified Equipment. Please visit <http://www.ahridirectory.org> for further details and latest updates.

¹ Ratings are AHRI certified to AHRI Standard 210/240;

- Cooling Ratings - 95°F wet bulb/75°F dry bulb outdoor air temperature and 80°F dry bulb/67°F wet bulb entering indoor coil air.
- High Temperature Heating Ratings - 47°F dry bulb/43°F wet bulb outdoor air temperature and 70°F dry bulb/60°F wet bulb entering indoor coil air.
- Low Temperature Heating Ratings - 17°F dry bulb/15°F wet bulb outdoor air temperature and 70°F dry bulb/60°F wet bulb entering indoor coil air.

To convert HSPF from Region IV to Region V - Divide by 1.15.

SOUND LEVELS - TEST CONDITIONS



MULTI-ZONE SYSTEM COMBINATIONS

NOTE - For multi-zone systems, the total capacity of all indoor units must be 66% to 133% of the outdoor unit capacity.

Outdoor Unit Model	Number of Zones	Indoor Unit Capacity					Nominal Cooling Capacity at Rated System Capacity (Btuh)					Nominal Heating Capacity at Rated System Capacity (Btuh)				
		#1	#2	#3	#4	#5	#1	#2	#3	#4	#5	#1	#2	#3	#4	#5
MPC018S4M	1	12K	---	---	---	---	9,000	---	---	---	---	9,500	---	---	---	---
		18K	---	---	---	---	13,500	---	---	---	---	14,000	---	---	---	---
	2	6K	6K	---	---	---	6,000	6,000	---	---	---	6,700	6,700	---	---	---
		9K	6K	---	---	---	9,000	6,000	---	---	---	9,900	6,600	---	---	---
		12K	6K	---	---	---	12,000	6,000	---	---	---	12,500	6,300	---	---	---
		9K	9K	---	---	---	9,000	9,000	---	---	---	9,500	9,500	---	---	---
		12K	9K	---	---	---	11,000	8,000	---	---	---	11,500	8,600	---	---	---
		12K	12K	---	---	---	10,000	10,000	---	---	---	10,100	10,100	---	---	---
MPC024S4M	1	18K	---	---	---	---	16,000	---	---	---	---	17,000	---	---	---	---
		24K	---	---	---	---	21,000	---	---	---	---	22,000	---	---	---	---
	2	12K	6K	---	---	---	12,000	6,000	---	---	---	12,900	6,500	---	---	---
		18K	6K	---	---	---	17,000	5,000	---	---	---	18,900	6,300	---	---	---
		9K	9K	---	---	---	9,000	9,000	---	---	---	9,700	9,700	---	---	---
		12K	9K	---	---	---	11,000	8,000	---	---	---	12,900	9,700	---	---	---
		18K	9K	---	---	---	16,000	8,000	---	---	---	18,300	9,200	---	---	---
		12K	12K	---	---	---	11,000	11,000	---	---	---	12,600	12,600	---	---	---
		18K	12K	---	---	---	15,000	10,000	---	---	---	17,400	11,600	---	---	---
		18K	18K	---	---	---	14,000	14,000	---	---	---	14,800	14,800	---	---	---
	3	6K	6K	6K	---	---	7,000	7,000	7,000	---	---	8,500	8,500	8,500	---	---
		9K	6K	6K	---	---	10,000	7,000	7,000	---	---	11,500	7,700	7,700	---	---
		12K	6K	6K	---	---	13,000	6,000	6,000	---	---	13,900	7,000	7,000	---	---
		18K	6K	6K	---	---	17,000	6,000	6,000	---	---	17,500	5,900	5,900	---	---
		9K	9K	6K	---	---	9,000	9,000	6,000	---	---	9,500	9,500	6,000	---	---
		12K	9K	6K	---	---	12,000	9,000	6,000	---	---	12,700	9,500	6,400	---	---
		18K	9K	6K	---	---	16,000	8,000	5,000	---	---	16,100	8,100	5,400	---	---
		12K	12K	6K	---	---	11,000	11,000	6,000	---	---	11,700	11,700	5,900	---	---
		18K	12K	6K	---	---	15,000	10,000	5,000	---	---	15,000	10,000	5,000	---	---
		9K	9K	9K	---	---	9,000	9,000	9,000	---	---	9,500	9,500	9,500	---	---
12K		9K	9K	---	---	11,000	9,000	9,000	---	---	11,700	8,800	8,800	---	---	
18K		9K	9K	---	---	15,000	7,000	7,000	---	---	15,000	7,500	7,500	---	---	
MPC030S4M	1	18K	---	---	---	---	16,600	---	---	---	---	18,000	---	---	---	---
		24K	---	---	---	---	22,000	---	---	---	---	23,000	---	---	---	---
	2	12K	6K	---	---	---	12,000	6,000	---	---	---	12,900	6,500	---	---	---
		18K	6K	---	---	---	17,000	5,000	---	---	---	18,900	6,300	---	---	---
		9K	9K	---	---	---	9,000	9,000	---	---	---	9,700	9,700	---	---	---
		12K	9K	---	---	---	11,000	8,000	---	---	---	12,900	9,700	---	---	---
		18K	9K	---	---	---	16,000	8,000	---	---	---	18,300	9,200	---	---	---
		12K	12K	---	---	---	11,000	11,000	---	---	---	12,600	12,600	---	---	---
		18K	12K	---	---	---	15,000	10,000	---	---	---	17,400	11,600	---	---	---
		18K	18K	---	---	---	14,000	14,000	---	---	---	14,800	14,800	---	---	---
	3	6K	6K	6K	---	---	7,000	7,000	7,000	---	---	8,500	8,500	8,500	---	---
		9K	6K	6K	---	---	10,000	7,000	7,000	---	---	11,500	7,700	7,700	---	---
		12K	6K	6K	---	---	13,000	6,000	6,000	---	---	13,900	7,000	7,000	---	---
		18K	6K	6K	---	---	17,000	6,000	6,000	---	---	17,500	5,900	5,900	---	---
		9K	9K	6K	---	---	10,000	10,000	6,000	---	---	10,500	10,500	7,000	---	---
		12K	9K	6K	---	---	12,000	9,000	6,000	---	---	12,700	9,500	6,400	---	---
		18K	9K	6K	---	---	16,000	8,000	5,000	---	---	16,100	8,100	5,400	---	---
		12K	12K	6K	---	---	11,000	11,000	6,000	---	---	11,700	11,700	5,900	---	---
18K		12K	6K	---	---	15,000	10,000	5,000	---	---	15,000	10,000	5,000	---	---	
9K		9K	9K	---	---	9,000	9,000	9,000	---	---	9,500	9,500	9,500	---	---	
12K		9K	9K	---	---	11,000	9,000	9,000	---	---	11,700	8,800	8,800	---	---	
18K		9K	9K	---	---	15,000	7,000	7,000	---	---	15,000	7,500	7,500	---	---	

¹ One outdoor unit may be matched with one indoor unit for single zone applications. Additional indoor units can be added at a later date for multi-zone applications (if applicable).

NOTE - MMA036, MMA048 and MMA060 air handlers are not approved for multi-zone matches.

MULTI-ZONE SYSTEM COMBINATIONS

NOTE - For multi-zone systems, the total capacity of all indoor units must be 66% to 133% of the outdoor unit capacity.

Outdoor Unit Model	Number of Zones	Indoor Unit Capacity					Nominal Cooling Capacity at Rated System Capacity (Btuh)					Nominal Heating Capacity at Rated System Capacity (Btuh)				
		#1	#2	#3	#4	#5	#1	#2	#3	#4	#5	#1	#2	#3	#4	#5
MPC036S4M	1	24K	---	---	---	---	22,000	---	---	---	---	23,000	---	---	---	---
		30K	---	---	---	---	26,000	---	---	---	---	27,000	---	---	---	---
	2	18K	6K	---	---	---	18,000	6,000	---	---	---	19,100	6,400	---	---	---
		24K	6K	---	---	---	22,000	6,000	---	---	---	24,200	6,100	---	---	---
		18K	9K	---	---	---	17,000	9,000	---	---	---	18,700	9,400	---	---	---
		24K	9K	---	---	---	21,000	8,000	---	---	---	23,300	8,800	---	---	---
		12K	12K	---	---	---	12,000	12,000	---	---	---	12,800	12,800	---	---	---
		18K	12K	---	---	---	17,000	11,000	---	---	---	18,200	12,100	---	---	---
		24K	12K	---	---	---	20,000	10,000	---	---	---	22,200	11,100	---	---	---
		18K	18K	---	---	---	15,000	15,000	---	---	---	16,600	16,600	---	---	---
	24K	18K	---	---	---	18,000	13,000	---	---	---	19,300	14,500	---	---	---	
	24K	24K	---	---	---	15,000	15,000	---	---	---	15,700	15,700	---	---	---	
	3	12K	6K	6K	---	---	12,900	6,500	6,500	---	---	13,600	6,800	6,800	---	---
		18K	6K	6K	---	---	18,000	6,000	6,000	---	---	18,900	6,300	6,300	---	---
		24K	6K	6K	---	---	22,000	5,500	5,500	---	---	23,200	5,800	5,800	---	---
		12K	9K	6K	---	---	12,500	9,300	6,200	---	---	13,100	9,800	6,600	---	---
		18K	9K	6K	---	---	17,200	8,600	5,700	---	---	18,100	9,100	6,100	---	---
		24K	9K	6K	---	---	21,100	7,900	5,300	---	---	22,200	8,400	5,600	---	---
		12K	12K	6K	---	---	12,000	12,000	6,000	---	---	12,600	12,600	6,300	---	---
		18K	12K	6K	---	---	16,500	11,000	5,500	---	---	17,400	11,600	5,800	---	---
		24K	12K	6K	---	---	20,100	10,000	5,000	---	---	21,200	10,600	5,300	---	---
		18K	18K	6K	---	---	15,100	15,100	5,000	---	---	15,900	15,900	5,300	---	---
		24K	18K	6K	---	---	18,100	13,600	4,500	---	---	19,200	14,400	4,800	---	---
		9K	9K	9K	---	---	9,300	9,300	9,300	---	---	9,800	9,800	9,800	---	---
		12K	9K	9K	---	---	12,000	9,000	9,000	---	---	12,600	9,500	9,500	---	---
		18K	9K	9K	---	---	16,500	8,300	8,300	---	---	17,400	8,700	8,700	---	---
		24K	9K	9K	---	---	20,100	7,500	7,500	---	---	21,200	8,000	8,000	---	---
		12K	12K	9K	---	---	11,500	11,500	8,600	---	---	12,100	12,100	9,100	---	---
		18K	12K	9K	---	---	15,800	10,500	7,900	---	---	16,700	11,100	8,400	---	---
		24K	12K	9K	---	---	19,100	9,600	7,200	---	---	20,200	10,100	7,600	---	---
	18K	18K	9K	---	---	14,300	14,300	7,200	---	---	15,200	15,200	7,600	---	---	
	12K	12K	12K	---	---	11,000	11,000	11,000	---	---	11,600	11,600	11,600	---	---	
	18K	12K	12K	---	---	15,100	10,000	10,000	---	---	15,900	10,600	10,600	---	---	
	24K	12K	12K	---	---	18,100	9,100	9,100	---	---	19,200	9,600	9,600	---	---	
	18K	18K	12K	---	---	13,600	13,600	9,100	---	---	14,400	14,400	9,600	---	---	
	4	6K	6K	6K	6K	---	7,200	7,200	7,200	7,200	---	7,700	7,700	7,700	7,700	---
		9K	6K	6K	6K	---	10,400	6,900	6,900	6,900	---	11,000	7,400	7,400	7,400	---
		12K	6K	6K	6K	---	13,200	6,600	6,600	6,600	---	14,000	7,000	7,000	7,000	---
		18K	6K	6K	6K	---	17,900	6,000	6,000	6,000	---	19,000	6,400	6,400	6,400	---
		24K	6K	6K	6K	---	21,400	5,300	5,300	5,300	---	22,600	5,700	5,700	5,700	---
		9K	9K	6K	6K	---	9,900	9,900	6,600	6,600	---	10,500	10,500	7,000	7,000	---
		12K	9K	6K	6K	---	12,600	9,400	6,300	6,300	---	13,300	10,000	6,700	6,700	---
		18K	9K	6K	6K	---	17,000	8,500	5,700	5,700	---	18,000	9,000	6,000	6,000	---
		24K	9K	6K	6K	---	20,100	7,500	5,000	5,000	---	21,200	8,000	5,300	5,300	---
		12K	12K	6K	6K	---	12,000	12,000	6,000	6,000	---	12,700	12,700	6,400	6,400	---
		18K	12K	6K	6K	---	16,000	10,700	5,300	5,300	---	17,000	11,300	5,700	5,700	---
		24K	12K	6K	6K	---	18,900	9,400	4,700	4,700	---	19,900	10,000	5,000	5,000	---
		9K	9K	9K	6K	---	9,400	9,400	9,400	6,300	---	10,000	10,000	10,000	6,700	---
		12K	9K	9K	6K	---	12,000	9,000	9,000	6,000	---	12,700	9,500	9,500	6,400	---
		18K	9K	9K	6K	---	16,000	8,000	8,000	5,300	---	17,000	8,500	8,500	5,700	---
24K		9K	9K	6K	---	18,900	7,100	7,100	4,700	---	19,900	7,500	7,500	5,000	---	
12K		12K	9K	6K	---	11,300	11,300	8,500	5,700	---	12,000	12,000	9,000	6,000	---	
18K		12K	9K	6K	---	15,100	10,100	7,500	5,000	---	15,900	10,600	8,000	5,300	---	
12K		12K	12K	6K	---	10,700	10,700	10,700	5,300	---	11,300	11,300	11,300	5,700	---	
18K		12K	12K	6K	---	14,100	9,400	9,400	4,700	---	14,900	10,000	10,000	5,000	---	
9K		9K	9K	9K	---	9,000	9,000	9,000	9,000	---	9,500	9,500	9,500	9,500	---	
12K		9K	9K	9K	---	11,300	8,500	8,500	8,500	---	12,000	9,000	9,000	9,000	---	
18K		9K	9K	9K	---	15,100	7,500	7,500	7,500	---	15,900	8,000	8,000	8,000	---	
12K		12K	9K	9K	---	10,700	10,700	8,000	8,000	---	11,300	11,300	8,500	8,500	---	
18K	12K	9K	9K	---	14,100	9,400	7,100	7,100	---	14,900	10,000	7,500	7,500	---		
12K	12K	12K	9K	---	10,100	10,100	10,100	7,500	---	10,600	10,600	10,600	8,000	---		
12K	12K	12K	12K	---	9,400	9,400	9,400	9,400	---	10,000	10,000	10,000	10,000	---		

¹ One outdoor unit may be matched with one indoor unit for single zone applications. Additional indoor units can be added at a later date for multi-zone applications (if applicable).

NOTE - MMA036, MMA048 and MMA060 air handlers are not approved for multi-zone matches.

MULTI-ZONE SYSTEM COMBINATIONS

NOTE - For multi-zone systems, the total capacity of all indoor units must be 66% to 133% of the outdoor unit capacity.

Outdoor Unit Model	Number of Zones	Indoor Unit Capacity					Nominal Cooling Capacity at Rated System Capacity (Btuh)					Nominal Heating Capacity at Rated System Capacity (Btuh)				
		#1	#2	#3	#4	#5	#1	#2	#3	#4	#5	#1	#2	#3	#4	#5
MPC048S4M	1	30K	---	---	---	---	27,000	---	---	---	---	28,000	---	---	---	---
		36K	---	---	---	---	33,000	---	---	---	---	34,000	---	---	---	---
	2	24K	9K	---	---	---	24,000	9,000	---	---	---	25,100	9,400	---	---	---
		30K	9K	---	---	---	29,000	8,000	---	---	---	30,400	9,100	---	---	---
		24K	12K	---	---	---	23,000	11,000	---	---	---	24,800	12,400	---	---	---
		30K	12K	---	---	---	28,000	11,000	---	---	---	29,600	11,900	---	---	---
		18K	18K	---	---	---	17,000	17,000	---	---	---	18,600	18,600	---	---	---
		24K	18K	---	---	---	22,000	17,000	---	---	---	23,700	17,800	---	---	---
		30K	18K	---	---	---	26,000	15,000	---	---	---	27,600	16,600	---	---	---
		24K	24K	---	---	---	21,000	21,000	---	---	---	22,000	22,000	---	---	---
		30K	24K	---	---	---	23,000	18,000	---	---	---	25,000	20,000	---	---	---
		30K	30K	---	---	---	19,000	19,000	---	---	---	21,700	21,700	---	---	---
	3	24K	6K	6K	---	---	24,000	6,000	6,000	---	---	25,500	6,400	6,400	---	---
		30K	6K	6K	---	---	29,000	6,000	6,000	---	---	30,100	6,100	6,100	---	---
		24K	9K	6K	---	---	23,000	9,000	6,000	---	---	24,800	9,300	6,200	---	---
		30K	9K	6K	---	---	28,000	8,000	6,000	---	---	29,300	8,800	5,900	---	---
		18K	12K	6K	---	---	18,000	12,000	6,000	---	---	19,100	12,800	6,400	---	---
		24K	12K	6K	---	---	23,000	11,000	6,000	---	---	24,100	12,100	6,100	---	---
		30K	12K	6K	---	---	27,000	11,000	5,000	---	---	28,600	11,500	5,800	---	---
		18K	18K	6K	---	---	17,000	17,000	6,000	---	---	18,100	18,100	6,100	---	---
		24K	18K	6K	---	---	22,000	16,000	5,000	---	---	22,900	17,200	5,800	---	---
		30K	18K	6K	---	---	26,000	15,000	5,000	---	---	27,300	16,400	5,500	---	---
		24K	24K	6K	---	---	20,000	20,000	5,000	---	---	21,800	21,800	5,500	---	---
		30K	24K	6K	---	---	24,000	19,000	5,000	---	---	26,200	21,000	5,300	---	---
		18K	9K	9K	---	---	18,000	9,000	9,000	---	---	19,100	9,600	9,600	---	---
		24K	9K	9K	---	---	23,000	9,000	9,000	---	---	24,100	9,100	9,100	---	---
		30K	9K	9K	---	---	27,000	8,000	8,000	---	---	28,600	8,600	8,600	---	---
		12K	12K	9K	---	---	12,000	12,000	9,000	---	---	13,200	13,200	9,900	---	---
		18K	12K	9K	---	---	18,000	12,000	9,000	---	---	18,600	12,400	9,300	---	---
		24K	12K	9K	---	---	22,000	11,000	8,000	---	---	23,500	11,800	8,800	---	---
		30K	12K	9K	---	---	26,000	11,000	8,000	---	---	27,900	11,200	8,400	---	---
		18K	18K	9K	---	---	17,000	17,000	8,000	---	---	17,600	17,600	8,800	---	---
		24K	18K	9K	---	---	21,000	16,000	8,000	---	---	22,300	16,800	8,400	---	---
		30K	18K	9K	---	---	25,000	15,000	7,000	---	---	26,700	16,100	8,100	---	---
		24K	24K	9K	---	---	20,000	20,000	7,000	---	---	21,400	21,400	8,100	---	---
		30K	24K	9K	---	---	23,000	19,000	7,000	---	---	25,700	20,600	7,800	---	---
		12K	12K	12K	---	---	12,000	12,000	12,000	---	---	12,800	12,800	12,800	---	---
		18K	12K	12K	---	---	17,000	11,000	11,000	---	---	18,100	12,100	12,100	---	---
		24K	12K	12K	---	---	22,000	11,000	11,000	---	---	22,900	11,500	11,500	---	---
		30K	12K	12K	---	---	26,000	10,000	10,000	---	---	27,300	10,900	10,900	---	---
		18K	18K	12K	---	---	16,000	16,000	11,000	---	---	17,200	17,200	11,500	---	---
		24K	18K	12K	---	---	20,000	15,000	10,000	---	---	21,800	16,400	10,900	---	---
30K	18K	12K	---	---	24,000	14,000	10,000	---	---	26,200	15,700	10,500	---	---		
24K	24K	12K	---	---	19,000	19,000	10,000	---	---	21,000	21,000	10,500	---	---		
18K	18K	18K	---	---	15,000	15,000	15,000	---	---	16,400	16,400	16,400	---	---		
24K	18K	18K	---	---	19,000	14,000	14,000	---	---	21,000	15,700	15,700	---	---		

¹ One outdoor unit may be matched with one indoor unit for single zone applications. Additional indoor units can be added at a later date for multi-zone applications (if applicable).

NOTE - MMA036, MMA048 and MMA060 air handlers are not approved for multi-zone matches.

MULTI-ZONE SYSTEM COMBINATIONS

NOTE - For multi-zone systems, the total capacity of all indoor units must be 66% to 133% of the outdoor unit capacity.

Outdoor Unit Model	Number of Zones	Indoor Unit Capacity					Nominal Cooling Capacity at Rated System Capacity (Btuh)					Nominal Heating Capacity at Rated System Capacity (Btuh)				
		#1	#2	#3	#4	#5	#1	#2	#3	#4	#5	#1	#2	#3	#4	#5
MPC048S4M	4	18K	6K	6K	6K	---	18,000	6,000	6,000	6,000	---	---	19,400	6,500	6,500	6,500
		24K	6K	6K	6K	---	24,000	6,000	6,000	6,000	---	---	25,100	6,300	6,300	6,300
		30K	6K	6K	6K	---	29,000	6,000	6,000	6,000	---	---	30,100	6,100	6,100	6,100
		18K	9K	6K	6K	---	18,000	9,000	6,000	6,000	---	---	19,100	9,600	6,400	6,400
		24K	9K	6K	6K	---	24,000	9,000	6,000	6,000	---	---	24,600	9,300	6,200	6,200
		30K	9K	6K	6K	---	28,000	8,000	6,000	6,000	---	---	29,200	8,800	5,900	5,900
		12K	12K	6K	6K	---	12,000	12,000	6,000	6,000	---	---	12,900	12,900	6,500	6,500
		18K	12K	6K	6K	---	18,000	12,000	6,000	6,000	---	---	18,900	12,600	6,300	6,300
		24K	12K	6K	6K	---	23,000	11,000	6,000	6,000	---	---	24,100	12,100	6,100	6,100
		30K	12K	6K	6K	---	27,000	11,000	5,000	5,000	---	---	28,200	11,300	5,700	5,700
		18K	18K	6K	6K	---	17,000	17,000	6,000	6,000	---	---	18,100	18,100	6,100	6,100
		24K	18K	6K	6K	---	22,000	16,000	5,000	5,000	---	---	22,600	16,900	5,700	5,700
		30K	18K	6K	6K	---	25,000	15,000	5,000	5,000	---	---	25,800	15,500	5,200	5,200
		24K	24K	6K	6K	---	20,000	20,000	5,000	5,000	---	---	20,700	20,700	5,200	5,200
		12K	9K	9K	6K	---	12,000	9,000	9,000	6,000	---	---	12,900	9,700	9,700	6,500
		18K	9K	9K	6K	---	18,000	9,000	9,000	6,000	---	---	18,900	9,500	9,500	6,300
		24K	9K	9K	6K	---	23,000	9,000	9,000	6,000	---	---	24,100	9,100	9,100	6,100
		30K	9K	9K	6K	---	27,000	8,000	8,000	5,000	---	---	28,200	8,500	8,500	5,700
		12K	12K	9K	6K	---	12,000	12,000	9,000	6,000	---	---	12,800	12,800	9,600	6,400
		18K	12K	9K	6K	---	18,000	12,000	9,000	6,000	---	---	18,500	12,300	9,300	6,200
		24K	12K	9K	6K	---	22,000	11,000	8,000	6,000	---	---	23,400	11,700	8,800	5,900
		30K	12K	9K	6K	---	26,000	10,000	8,000	5,000	---	---	27,100	10,900	8,200	5,500
		18K	18K	9K	6K	---	17,000	17,000	8,000	6,000	---	---	17,500	17,500	8,800	5,900
		24K	18K	9K	6K	---	21,000	16,000	8,000	5,000	---	---	21,700	16,300	8,200	5,500
		30K	18K	9K	6K	---	24,000	14,000	7,000	5,000	---	---	24,500	14,700	7,400	4,900
		12K	12K	12K	6K	---	12,000	12,000	12,000	6,000	---	---	12,600	12,600	12,600	6,300
		18K	12K	12K	6K	---	17,000	11,000	11,000	6,000	---	---	18,100	12,100	12,100	6,100
		24K	12K	12K	6K	---	22,000	11,000	11,000	5,000	---	---	22,600	11,300	11,300	5,700
		30K	12K	12K	6K	---	25,000	10,000	10,000	5,000	---	---	25,800	10,400	10,400	5,200
		18K	18K	12K	6K	---	16,000	16,000	11,000	5,000	---	---	16,900	16,900	11,300	5,700
		24K	18K	12K	6K	---	20,000	15,000	10,000	5,000	---	---	20,700	15,500	10,400	5,200
		9K	9K	9K	9K	---	9,000	9,000	9,000	9,000	---	---	9,700	9,700	9,700	9,700
12K	9K	9K	9K	---	12,000	9,000	9,000	9,000	---	---	12,800	9,600	9,600	9,600		
18K	9K	9K	9K	---	18,000	9,000	9,000	9,000	---	---	18,500	9,300	9,300	9,300		
24K	9K	9K	9K	---	22,000	8,000	8,000	8,000	---	---	23,400	8,800	8,800	8,800		
30K	9K	9K	9K	---	26,000	8,000	8,000	8,000	---	---	27,100	8,200	8,200	8,200		
12K	12K	9K	9K	---	12,000	12,000	9,000	9,000	---	---	12,600	12,600	9,500	9,500		
18K	12K	9K	9K	---	17,000	11,000	9,000	9,000	---	---	18,100	12,100	9,100	9,100		
24K	12K	9K	9K	---	22,000	11,000	8,000	8,000	---	---	22,600	11,300	8,500	8,500		

¹ One outdoor unit may be matched with one indoor unit for single zone applications. Additional indoor units can be added at a later date for multi-zone applications (if applicable).

NOTE - MMA036, MMA048 and MMA060 air handlers are not approved for multi-zone matches.

MULTI-ZONE SYSTEM COMBINATIONS

NOTE - For multi-zone systems, the total capacity of all indoor units must be 66% to 133% of the outdoor unit capacity.

Outdoor Unit Model	Number of Zones	Indoor Unit Capacity					Nominal Cooling Capacity at Rated System Capacity (Btuh)					Nominal Heating Capacity at Rated System Capacity (Btuh)				
		#1	#2	#3	#4	#5	#1	#2	#3	#4	#5	#1	#2	#3	#4	#5
MPC048S4M	4	30K	12K	9K	9K	---	25,000	10,000	7,000	7,000	---	25,800	10,400	7,800	7,800	---
		18K	18K	9K	9K	---	16,000	16,000	8,000	8,000	---	16,900	16,900	8,500	8,500	---
		24K	18K	9K	9K	---	20,000	15,000	7,000	7,000	---	20,700	15,500	7,800	7,800	---
		12K	12K	12K	9K	---	12,000	12,000	12,000	9,000	---	12,300	12,300	12,300	9,300	---
		18K	12K	12K	9K	---	17,000	11,000	11,000	8,000	---	17,500	11,700	11,700	8,800	---
		24K	12K	12K	9K	---	21,000	10,000	10,000	8,000	---	21,700	10,900	10,900	8,200	---
		30K	12K	12K	9K	---	24,000	9,000	9,000	7,000	---	24,500	9,800	9,800	7,400	---
		18K	18K	12K	9K	---	16,000	16,000	10,000	8,000	---	16,300	16,300	10,900	8,200	---
		24K	18K	12K	9K	---	19,000	14,000	9,000	7,000	---	19,600	14,700	9,800	7,400	---
		12K	12K	12K	12K	---	11,000	11,000	11,000	11,000	---	12,100	12,100	12,100	12,100	---
		18K	12K	12K	12K	---	16,000	11,000	11,000	11,000	---	16,900	11,300	11,300	11,300	---
		24K	12K	12K	12K	---	20,000	10,000	10,000	10,000	---	20,700	10,400	10,400	10,400	---
		18K	18K	12K	12K	---	15,000	15,000	10,000	10,000	---	15,500	15,500	10,400	10,400	---
	9K	6K	6K	6K	6K	9,000	6,000	6,000	6,000	6,000	10,000	7,000	7,000	7,000	7,000	
	12K	6K	6K	6K	6K	12,000	6,000	6,000	6,000	6,000	13,000	6,000	6,000	6,000	6,000	
	18K	6K	6K	6K	6K	18,000	6,000	6,000	6,000	6,000	19,000	6,000	6,000	6,000	6,000	
	24K	6K	6K	6K	6K	24,000	6,000	6,000	6,000	6,000	25,000	6,000	6,000	6,000	6,000	
	30K	6K	6K	6K	6K	28,000	6,000	6,000	6,000	6,000	29,000	5,000	5,000	5,000	5,000	
	9K	9K	6K	6K	6K	9,000	9,000	6,000	6,000	6,000	10,000	10,000	6,000	6,000	6,000	
	12K	9K	6K	6K	6K	12,000	9,000	6,000	6,000	6,000	13,000	10,000	6,000	6,000	6,000	
	18K	9K	6K	6K	6K	18,000	9,000	6,000	6,000	6,000	19,000	9,000	6,000	6,000	6,000	
	24K	9K	6K	6K	6K	23,000	9,000	6,000	6,000	6,000	24,000	9,000	6,000	6,000	6,000	
	30K	9K	6K	6K	6K	27,000	8,000	5,000	5,000	5,000	28,000	8,000	5,000	5,000	5,000	
	12K	12K	6K	6K	6K	12,000	12,000	6,000	6,000	6,000	13,000	13,000	6,000	6,000	6,000	
	18K	12K	6K	6K	6K	18,000	12,000	6,000	6,000	6,000	18,000	12,000	6,000	6,000	6,000	
	24K	12K	6K	6K	6K	22,000	11,000	6,000	6,000	6,000	23,000	11,000	5,000	5,000	5,000	
	30K	12K	6K	6K	6K	26,000	10,000	5,000	5,000	5,000	27,000	10,000	5,000	5,000	5,000	
	18K	18K	6K	6K	6K	17,000	17,000	6,000	6,000	6,000	17,000	17,000	5,000	5,000	5,000	
	24K	18K	6K	6K	6K	21,000	16,000	5,000	5,000	5,000	21,000	16,000	5,000	5,000	5,000	
	9K	9K	9K	6K	6K	9,000	9,000	9,000	6,000	6,000	10,000	10,000	10,000	6,000	6,000	
	12K	9K	9K	6K	6K	12,000	9,000	9,000	6,000	6,000	13,000	9,000	9,000	6,000	6,000	
	18K	9K	9K	6K	6K	18,000	9,000	9,000	6,000	6,000	18,000	9,000	9,000	6,000	6,000	
	24K	9K	9K	6K	6K	22,000	8,000	8,000	6,000	6,000	23,000	8,000	8,000	5,000	5,000	
	30K	9K	9K	6K	6K	26,000	8,000	8,000	5,000	5,000	27,000	8,000	8,000	5,000	5,000	
12K	12K	9K	6K	6K	12,000	12,000	9,000	6,000	6,000	12,000	12,000	9,000	6,000	6,000		
18K	12K	9K	6K	6K	17,000	12,000	9,000	6,000	6,000	18,000	12,000	9,000	6,000	6,000		
24K	12K	9K	6K	6K	22,000	11,000	8,000	5,000	5,000	22,000	11,000	8,000	5,000	5,000		
30K	12K	9K	6K	6K	24,000	10,000	7,000	5,000	5,000	26,000	10,000	7,000	5,000	5,000		
18K	18K	9K	6K	6K	16,000	16,000	8,000	5,000	5,000	17,000	17,000	8,000	5,000	5,000		
24K	18K	9K	6K	6K	20,000	15,000	7,000	5,000	5,000	21,000	15,000	7,000	5,000	5,000		
12K	12K	12K	6K	6K	12,000	12,000	12,000	6,000	6,000	12,000	12,000	12,000	6,000	6,000		
18K	12K	12K	6K	6K	17,000	11,000	11,000	6,000	6,000	17,000	11,000	11,000	5,000	5,000		
24K	12K	12K	6K	6K	21,000	10,000	10,000	5,000	5,000	21,000	10,000	10,000	5,000	5,000		

¹ One outdoor unit may be matched with one indoor unit for single zone applications. Additional indoor units can be added at a later date for multi-zone applications (if applicable).

NOTE - MMA036, MMA048 and MMA060 air handlers are not approved for multi-zone matches.

MULTI-ZONE SYSTEM COMBINATIONS

NOTE - For multi-zone systems, the total capacity of all indoor units must be 66% to 133% of the outdoor unit capacity.

Outdoor Unit Model	Number of Zones	Indoor Unit Capacity					Nominal Cooling Capacity at Rated System Capacity (Btuh)					Nominal Heating Capacity at Rated System Capacity (Btuh)				
		#1	#2	#3	#4	#5	#1	#2	#3	#4	#5	#1	#2	#3	#4	#5
MPC048S4M	5	18K	18K	12K	6K	6K	16,000	16,000	10,000	5,000	5,000	16,000	16,000	10,000	5,000	5,000
		9K	9K	9K	9K	6K	9,000	9,000	9,000	9,000	6,000	9,000	9,000	9,000	9,000	6,000
		12K	9K	9K	9K	6K	12,000	9,000	9,000	9,000	6,000	12,000	9,000	9,000	9,000	6,000
		18K	9K	9K	9K	6K	17,000	9,000	9,000	9,000	6,000	18,000	9,000	9,000	9,000	6,000
		24K	9K	9K	9K	6K	22,000	8,000	8,000	8,000	5,000	22,000	8,000	8,000	8,000	5,000
		30K	9K	9K	9K	6K	24,000	7,000	7,000	7,000	5,000	26,000	7,000	7,000	7,000	5,000
		12K	12K	9K	9K	6K	12,000	12,000	9,000	9,000	6,000	12,000	12,000	9,000	9,000	6,000
		18K	12K	9K	9K	6K	17,000	11,000	8,000	8,000	6,000	17,000	11,000	8,000	8,000	5,000
		24K	12K	9K	9K	6K	21,000	10,000	8,000	8,000	5,000	21,000	10,000	8,000	8,000	5,000
		18K	18K	9K	9K	6K	16,000	16,000	8,000	8,000	5,000	16,000	16,000	8,000	8,000	5,000
		12K	12K	12K	9K	6K	12,000	12,000	12,000	9,000	6,000	12,000	12,000	12,000	9,000	6,000
		18K	12K	12K	9K	6K	16,000	11,000	11,000	8,000	5,000	17,000	11,000	11,000	8,000	5,000
		24K	12K	12K	9K	6K	20,000	10,000	10,000	7,000	5,000	21,000	10,000	10,000	7,000	5,000
		12K	12K	12K	12K	6K	11,000	11,000	11,000	11,000	6,000	11,000	11,000	11,000	11,000	5,000
		18K	12K	12K	12K	6K	16,000	10,000	10,000	10,000	5,000	16,000	10,000	10,000	10,000	5,000
		9K	9K	9K	9K	9K	9,000	9,000	9,000	9,000	9,000	9500	9500	9500	9500	9500
		12K	9K	9K	9K	9K	12,000	9,000	9,000	9,000	9,000	12,000	9,000	9,000	9,000	9,000
		18K	9K	9K	9K	9K	17,000	8,000	8,000	8,000	8,000	17,000	8,000	8,000	8,000	8,000
		24K	9K	9K	9K	9K	21,000	8,000	8,000	8,000	8,000	21,000	8,000	8,000	8,000	8,000
		12K	12K	9K	9K	9K	12,000	12,000	9,000	9,000	9,000	12,000	12,000	9,000	9,000	9,000
		18K	12K	9K	9K	9K	16,000	11,000	8,000	8,000	8,000	17,000	11,000	8,000	8,000	8,000
24K	12K	9K	9K	9K	20,000	10,000	7,000	7,000	7,000	21,000	10,000	7,000	7,000	7,000		
12K	12K	12K	9K	9K	11,000	11,000	11,000	8,000	8,000	11,000	11,000	11,000	8,000	8,000		
18K	12K	12K	9K	9K	16,000	10,000	10,000	8,000	8,000	16,000	10,000	10,000	8,000	8,000		
12K	12K	12K	12K	9K	11,000	11,000	11,000	11,000	8,000	11,000	11,000	11,000	11,000	8,000		
12K	12K	12K	12K	12K	10,000	10,000	10,000	10,000	10,000	10,000	10,000	10,000	10,000	10,000		

¹ One outdoor unit may be matched with one indoor unit for single zone applications. Additional indoor units can be added at a later date for multi-zone applications (if applicable).

NOTE - MMA036, MMA048 and MMA060 air handlers are not approved for multi-zone matches.

OUTDOOR TO INDOOR UNIT LINE CONNECTIONS - TWO ZONES

MPC018S4M

Number of Zones and Outdoor Unit Connection Sizes

NOTE - Letter = Indoor Unit Zone Connection on Outdoor Unit

Zone 1 (A)	Zone 2 (B)
1/4 in. liq + 3/8 in. gas	1/4 in. liq + 3/8 in. gas
006	006
009	006
012	006
009	009
012	006
012	012

LEGEND:

CLEAR = No adaptors required.

GRAY = 3/8 x 1/2 in. gas pipe adaptor is required for line set connection to outdoor unit (furnished with outdoor unit).

OUTDOOR TO INDOOR UNIT LINE CONNECTIONS - UP TO THREE ZONES

MPC024S4M

Number of Zones and Outdoor Unit Connection Sizes

NOTE - Letter = Indoor Unit Zone Connection on Outdoor Unit

Zone 1 (A)	Zone 2 (B)	Zone 3 (C)
1/4 in. liq + 3/8 in. gas	1/4 in. liq + 3/8 in. gas	1/4 in. liq + 3/8 in. gas
012	006	---
018	006	---
009	009	---
012	009	---
018	009	---
012	012	---
018	012	---
018	018	---
006	006	006
009	006	006
012	006	006
018	006	006
009	009	006
012	009	006
018	009	006
012	012	006
018	012	006
009	009	009
012	009	009
018	009	009
012	012	009
012	012	012

LEGEND:

CLEAR = No adaptors required.

GRAY = 3/8 x 1/2 in. gas pipe adaptor is required for line set connection to outdoor unit (furnished with outdoor unit).

OUTDOOR TO INDOOR UNIT LINE CONNECTIONS - UP TO THREE ZONES

MPC030S4M

Number of Zones and Outdoor Unit Connection Sizes

NOTE - Letter = Indoor Unit Zone Connection on Outdoor Unit

Zone 1 (A)	Zone 2 (B)	Zone 3 (C)
1/4 in. liq + 3/8 in. gas	1/4 in. liq + 3/8 in. gas	1/4 in. liq + 3/8 in. gas
012	006	---
018	006	---
009	009	---
012	009	---
018	009	---
012	012	---
018	012	---
018	018	---
006	006	006
009	006	006
012	006	006
018	006	006
009	009	006
012	009	006
018	009	006
012	012	006
018	012	006
009	009	009
012	009	009
018	009	009
012	012	009
012	012	012

LEGEND:

CLEAR = No adaptors required.

GRAY = 3/8 x 1/2 in. gas pipe adaptor is required for line set connection to outdoor unit (furnished with outdoor unit).

OUTDOOR TO INDOOR UNIT LINE CONNECTIONS - UP TO FOUR ZONES

MPC036S4M

Number of Zones and Outdoor Unit Connection Sizes

NOTE - Letter = Indoor Unit Zone Connection on Outdoor Unit

Zone 1 (A)	Zone 2 (B)	Zone 3 (C)	Zone 4 (D)
1/4 in. liq + 1/2 in. gas	1/4 in. liq + 3/8 in. gas	1/4 in. liq + 3/8 in. gas	1/4 in. liq + 3/8 in. gas
018	006	---	---
024	006	---	---
018	009	---	---
024	009	---	---
012	012	---	---
018	012	---	---
024	012	---	---
018	018	---	---
024	018	---	---
024	¹ 024	---	---
012	006	006	---
018	006	006	---
024	006	006	---
012	009	006	---
018	009	006	---
024	009	006	---
012	012	006	---
018	012	006	---
024	012	006	---
018	018	006	---
024	018	006	---
009	009	009	---
012	009	009	---
018	009	009	---
024	009	009	---
012	012	009	---
018	012	009	---
024	012	009	---
018	018	009	---
012	012	012	---
018	012	012	---
024	012	012	---
018	018	012	---
006	006	006	006
009	006	006	006
012	006	006	006
018	006	006	006
024	006	006	006
009	009	006	006
012	009	006	006

LEGEND:

CLEAR = No adaptors required.

GRAY = 3/8 x 1/2 in. gas pipe adaptor is required for line set connection to outdoor unit (furnished with outdoor unit).

BLACK = 1/4 x 3/8 in. liquid pipe adaptor is required for line set connection to the 036 outdoor unit (furnished with outdoor unit).

1/2 x 5/8 in. gas pipe adaptor is required for line set connection to the 036 outdoor unit (furnished with outdoor unit).

¹ 1/4 x 3/8 in. liquid pipe adaptor is required for line set connection to the 036 outdoor unit (furnished with outdoor unit).

3/8 x 5/8 in. gas pipe adaptor is required for line set connection to the 036 outdoor unit (not furnished).

OUTDOOR TO INDOOR UNIT LINE CONNECTIONS - UP TO FOUR ZONES

MPC036S4M

Number of Zones and Outdoor Unit Connection Sizes

NOTE - Letter = Indoor Unit Zone Connection on Outdoor Unit

Zone 1 (A)	Zone 2 (B)	Zone 3 (C)	Zone 4 (D)
1/4 in. liq + 1/2 in. gas	1/4 in. liq + 3/8 in. gas	1/4 in. liq + 3/8 in. gas	1/4 in. liq + 3/8 in. gas
018	009	006	006
024	009	006	006
012	012	006	006
018	012	006	006
024	012	006	006
009	009	009	006
012	009	009	006
018	009	009	006
024	009	009	006
012	012	009	006
018	012	009	006
012	012	012	006
018	012	012	006
009	009	009	009
012	009	009	009
018	009	009	009
012	012	009	009
018	012	009	009
012	012	012	009
012	012	012	012

LEGEND:

CLEAR = No adaptors required.

GRAY = 3/8 x 1/2 in. gas pipe adaptor is required for line set connection to outdoor unit (furnished with outdoor unit).

BLACK = 1/4 x 3/8 in. liquid pipe adaptor is required for line set connection to the 036 outdoor unit (furnished with outdoor unit).

1/2 x 5/8 in. gas pipe adaptor is required for line set connection to the 036 outdoor unit (furnished with outdoor unit).

¹ 1/4 x 3/8 in. liquid pipe adaptor is required for line set connection to the 036 outdoor unit (furnished with outdoor unit).

3/8 x 5/8 in. gas pipe adaptor is required for line set connection to the 036 outdoor unit (not furnished).

OUTDOOR TO INDOOR UNIT LINE CONNECTIONS - UP TO FIVE ZONES

MPC048S4M

Number of Zones and Outdoor Unit Connection Sizes

NOTE - Letter = Indoor Unit Zone Connection on Outdoor Unit

Zone 1 (A)	Zone 2 (B)	Zone 3 (C)	Zone 4 (D)	Zone 5 (E)
1/4 in. liq + 1/2 in. gas	1/4 in. liq + 1/2 in. gas	1/4 in. liq + 3/8 in. gas	1/4 in. liq + 3/8 in. gas	1/4 in. liq + 3/8 in. gas
024	009	---	---	---
030	009	---	---	---
024	012	---	---	---
030	012	---	---	---
018	018	---	---	---
024	018	---	---	---
024	024	---	---	---
030	018	---	---	---
030	024	---	---	---
030	030	---	---	---
024	006	006	---	---
030	006	006	---	---
024	009	006	---	---
030	009	006	---	---
018	012	006	---	---
024	012	006	---	---
030	012	006	---	---
018	018	006	---	---
024	018	006	---	---
030	018	006	---	---
024	024	006	---	---
030	024	006	---	---
018	009	009	---	---
024	009	009	---	---
030	009	009	---	---
012	012	009	---	---
018	012	009	---	---
024	012	009	---	---
030	012	009	---	---
018	018	009	---	---
024	018	009	---	---
030	018	009	---	---
024	024	009	---	---
030	024	009	---	---
012	012	012	---	---
018	012	012	---	---
024	012	012	---	---
030	012	012	---	---
018	018	012	---	---
024	018	012	---	---
030	018	012	---	---

LEGEND:

CLEAR = No adaptors required.

GRAY = 3/8 x 1/2 in. gas pipe adaptor is required for line set connection to outdoor unit (furnished with outdoor unit).

BLACK = 1/4 x 3/8 in. liquid pipe adaptor is required for line set connection to the 048 outdoor unit (furnished with outdoor unit).

1/2 x 5/8 in. gas pipe adaptor is required for line set connection to the 048 outdoor unit (furnished with outdoor unit).

OUTDOOR TO INDOOR UNIT LINE CONNECTIONS - UP TO FIVE ZONES

MPC048S4M

Number of Zones and Outdoor Unit Connection Sizes

NOTE - Letter = Indoor Unit Zone Connection on Outdoor Unit

Zone 1 (A)	Zone 2 (B)	Zone 3 (C)	Zone 4 (D)	Zone 5 (E)
1/4 in. liq + 1/2 in. gas	1/4 in. liq + 1/2 in. gas	1/4 in. liq + 3/8 in. gas	1/4 in. liq + 3/8 in. gas	1/4 in. liq + 3/8 in. gas
024	024	012	---	---
018	018	018	---	---
024	018	018	---	---
018	006	006	006	---
024	006	006	006	---
030	006	006	006	---
018	009	006	006	---
024	009	006	006	---
030	009	006	006	---
012	012	006	006	---
018	012	006	006	---
024	012	006	006	---
030	012	006	006	---
018	018	006	006	---
024	018	006	006	---
030	018	006	006	---
024	024	006	006	---
012	009	009	006	---
018	009	009	006	---
024	009	009	006	---
030	009	009	006	---
012	012	009	006	---
018	012	009	006	---
024	012	009	006	---
030	012	009	006	---
018	018	009	006	---
024	018	009	006	---
030	018	009	006	---
012	012	012	006	---
018	012	012	006	---
024	012	012	006	---
030	012	012	006	---
018	018	012	006	---
024	018	012	006	---
009	009	009	009	---
012	009	009	009	---
018	009	009	009	---
024	009	009	009	---
030	009	009	009	---
012	012	009	009	---
018	012	009	009	---

LEGEND:

CLEAR = No adaptors required.

GRAY = 3/8 x 1/2 in. gas pipe adaptor is required for line set connection to outdoor unit (furnished with outdoor unit).

BLACK = 1/4 x 3/8 in. liquid pipe adaptor is required for line set connection to the 048 outdoor unit (furnished with outdoor unit).

1/2 x 5/8 in. gas pipe adaptor is required for line set connection to the 048 outdoor unit (furnished with outdoor unit).

OUTDOOR TO INDOOR UNIT LINE CONNECTIONS - UP TO FIVE ZONES

MPC048S4M

Number of Zones and Outdoor Unit Connection Sizes

NOTE - Letter = Indoor Unit Zone Connection on Outdoor Unit

Zone 1 (A)	Zone 2 (B)	Zone 3 (C)	Zone 4 (D)	Zone 5 (E)
1/4 in. liq + 1/2 in. gas	1/4 in. liq + 1/2 in. gas	1/4 in. liq + 3/8 in. gas	1/4 in. liq + 3/8 in. gas	1/4 in. liq + 3/8 in. gas
024	012	009	009	---
030	012	009	009	---
018	018	009	009	---
024	018	009	009	---
012	012	012	009	---
018	012	012	009	---
024	012	012	009	---
030	012	012	009	---
018	018	012	009	---
024	018	012	009	---
012	012	012	012	---
018	012	012	012	---
024	012	012	012	---
018	018	012	012	---
009	006	006	006	006
012	006	006	006	006
018	006	006	006	006
024	006	006	006	006
030	006	006	006	006
009	009	006	006	006
012	009	006	006	006
018	009	006	006	006
024	009	006	006	006
030	009	006	006	006
012	012	006	006	006
018	012	006	006	006
024	012	006	006	006
030	012	006	006	006
018	018	006	006	006
024	018	006	006	006
009	009	009	006	006
012	009	009	006	006
018	009	009	006	006
024	009	009	006	006
030	009	009	006	006
012	012	009	006	006
018	012	009	006	006
024	012	009	006	006
030	012	009	006	006
018	018	009	006	006
024	018	009	006	006

LEGEND:

CLEAR = No adaptors required.

GRAY = 3/8 x 1/2 in. gas pipe adaptor is required for line set connection to outdoor unit (furnished with outdoor unit).

BLACK = 1/4 x 3/8 in. liquid pipe adaptor is required for line set connection to the 048 outdoor unit (furnished with outdoor unit).

1/2 x 5/8 in. gas pipe adaptor is required for line set connection to the 048 outdoor unit (furnished with outdoor unit).

OUTDOOR TO INDOOR UNIT LINE CONNECTIONS - UP TO FIVE ZONES

MPC048S4M

Number of Zones and Outdoor Unit Connection Sizes

NOTE - Letter = Indoor Unit Zone Connection on Outdoor Unit

Zone 1 (A)	Zone 2 (B)	Zone 3 (C)	Zone 4 (D)	Zone 5 (E)
1/4 in. liq + 1/2 in. gas	1/4 in. liq + 1/2 in. gas	1/4 in. liq + 3/8 in. gas	1/4 in. liq + 3/8 in. gas	1/4 in. liq + 3/8 in. gas
012	012	012	006	006
018	012	012	006	006
024	012	012	006	006
018	018	012	006	006
009	009	009	009	006
012	009	009	009	006
018	009	009	009	006
024	009	009	009	006
030	009	009	009	006
012	012	009	009	006
018	012	009	009	006
024	012	009	009	006
018	018	009	009	006
012	012	012	009	006
018	012	012	009	006
024	012	012	009	006
012	012	012	012	006
018	012	012	012	006
009	009	009	009	009
012	009	009	009	009
018	009	009	009	009
024	009	009	009	009
012	012	009	009	009
018	012	009	009	009
024	012	009	009	009
012	012	012	009	009
018	012	012	009	009
012	012	012	012	009
012	012	012	012	012

LEGEND:

CLEAR = No adaptors required.

GRAY = 3/8 x 1/2 in. gas pipe adaptor is required for line set connection to outdoor unit (furnished with outdoor unit).

BLACK = 1/4 x 3/8 in. liquid pipe adaptor is required for line set connection to the 048 outdoor unit (furnished with outdoor unit).

1/2 x 5/8 in. gas pipe adaptor is required for line set connection to the 048 outdoor unit (furnished with outdoor unit).

COOLING CAPACITY

018

Outdoor Temperature - °F (Dry Bulb)	Indoor Temperature - °F (Dry Bulb / Wet Bulb)							
	65°F / 54°F		70°F / 59°F		75°F / 63°F		80°F / 67°F	
	Total mBtuh	Sensible mBtuh	Total mBtuh	Sensible mBtuh	Total mBtuh	Sensible mBtuh	Total mBtuh	Sensible mBtuh
-13	20.93	13.77	22.17	14.50	23.36	15.20	24.80	16.04
-4	22.29	15.09	23.51	15.84	24.72	16.56	25.83	17.20
0	22.55	15.35	23.68	16.03	25.17	16.93	26.22	17.54
5	22.90	15.43	24.08	16.14	25.38	16.91	26.63	17.66
17	22.81	16.07	23.76	16.64	24.93	17.37	26.41	18.30
25	22.83	16.77	23.93	17.48	25.19	18.29	26.35	19.03
35	22.61	16.23	23.70	16.92	24.79	17.58	26.29	18.56
47	22.61	16.36	24.06	17.31	25.51	18.25	26.57	18.92
55	22.07	16.95	23.20	17.71	24.63	18.68	25.66	19.37
65	21.08	16.00	22.12	16.71	23.21	17.45	24.70	18.47
75	20.23	15.79	21.23	16.47	22.56	17.42	23.82	18.32
85	19.33	15.56	20.33	16.26	21.29	16.92	22.45	17.76
95	18.77	15.03	19.68	15.68	20.93	16.59	22.08	17.42
105	18.01	15.56	18.88	16.22	19.85	16.97	20.88	17.74
110	16.84	14.87	17.86	15.69	18.94	16.56	19.87	17.29
115	16.25	14.87	17.01	15.50	17.72	16.07	18.52	16.70
122	14.33	14.24	15.23	15.07	16.03	15.81	16.70	16.40

HEATING CAPACITY

018

Outdoor Temperature - °F (Dry Bulb)	Indoor Temperature - °F (Dry Bulb)			
	60°F	65°F	70°F	75°F
	Total mBtuh	Total mBtuh	Total mBtuh	Total mBtuh
-13	10.12	9.84	9.53	9.17
-4	11.15	10.87	10.59	10.15
0	11.76	11.39	11.06	10.56
5	12.18	11.86	11.51	11.02
17	15.79	15.39	14.98	14.35
20	16.27	15.83	15.39	14.80
25	16.65	16.23	15.77	15.08
32	17.02	16.60	16.13	15.41
35	17.56	17.06	16.52	15.91
40	21.86	21.16	20.54	19.72
47	25.87	25.02	24.41	23.46
50	26.41	25.77	24.99	23.99
57	27.09	26.35	25.63	24.48

COOLING CAPACITY

024

Outdoor Temperature - °F (Dry Bulb)	Indoor Temperature - °F (Dry Bulb / Wet Bulb)							
	65°F / 54°F		70°F / 59°F		75°F / 63°F		80°F / 67°F	
	Total mBtuh	Sensible mBtuh	Total mBtuh	Sensible mBtuh	Total mBtuh	Sensible mBtuh	Total mBtuh	Sensible mBtuh
-13	24.22	15.54	25.69	16.39	26.76	16.97	27.87	17.59
-4	25.74	16.54	26.87	17.15	28.11	17.84	29.65	18.71
0	26.25	18.05	27.49	18.81	28.78	19.59	30.36	20.56
5	26.82	18.89	28.02	19.63	29.81	20.76	31.21	21.60
17	28.08	19.56	29.46	20.43	30.95	21.32	32.61	22.34
25	28.24	20.49	29.48	21.27	30.93	22.19	32.87	23.47
35	28.85	20.78	30.12	21.58	31.50	22.44	33.16	23.48
47	30.83	22.41	32.15	23.22	33.63	24.14	35.73	25.51
55	30.65	23.36	32.19	24.39	33.78	25.47	35.82	26.87
65	30.69	23.50	32.65	24.89	34.33	26.05	35.91	27.11
75	30.59	23.83	32.55	25.23	33.97	26.16	35.99	27.57
85	29.36	22.77	30.84	23.80	32.53	24.94	33.96	25.88
95	27.22	22.00	28.92	23.26	30.35	24.29	32.12	25.57
105	24.18	20.32	25.66	21.44	27.04	22.46	28.26	23.34
110	20.35	18.01	21.46	18.89	22.38	19.59	23.63	20.59
115	18.87	17.97	19.92	18.89	20.93	19.74	21.98	19.14
122	17.23	17.16	18.02	17.88	18.81	18.59	19.78	18.82

HEATING CAPACITY

024

Outdoor Temperature - °F (Dry Bulb)	Indoor Temperature - °F (Dry Bulb)			
	60°F	65°F	70°F	75°F
	Total mBtuh	Total mBtuh	Total mBtuh	Total mBtuh
-13	12.94	12.58	12.26	11.72
-4	14.54	14.10	13.62	13.08
0	15.03	14.66	14.22	13.61
5	15.92	15.38	14.86	14.27
17	17.65	17.06	16.49	15.92
20	18.88	18.42	17.89	17.12
25	20.51	20.01	19.36	18.52
32	21.95	21.42	20.87	19.93
35	23.71	23.13	22.48	21.47
40	25.50	24.71	24.01	23.08
47	30.74	29.73	28.72	27.49
50	36.07	35.05	33.93	32.51
57	36.39	35.40	34.20	32.94
	36.68	35.54	34.44	33.03

COOLING CAPACITY

030

Outdoor Temperature - °F (Dry Bulb)	Indoor Temperature - °F (Dry Bulb / Wet Bulb)							
	65°F / 54°F		70°F / 59°F		75°F / 63°F		80°F / 67°F	
	Total mBtuh	Sensible mBtuh	Total mBtuh	Sensible mBtuh	Total mBtuh	Sensible mBtuh	Total mBtuh	Sensible mBtuh
-13	28.28	18.04	29.99	19.03	31.41	19.81	32.85	20.60
-4	29.52	19.95	30.75	20.64	32.24	21.54	34.22	22.72
0	29.96	19.63	31.47	20.50	33.34	21.60	34.80	22.44
5	29.90	21.13	31.37	22.04	33.34	23.28	35.28	24.48
17	31.09	21.79	32.97	22.99	34.45	23.91	36.19	25.00
25	31.78	22.52	33.56	23.65	35.03	24.56	36.76	25.62
35	32.05	23.43	33.85	24.61	35.67	25.80	37.42	26.91
47	31.93	23.61	33.65	24.75	35.42	25.92	37.05	26.97
55	31.60	24.25	33.12	25.29	35.24	26.77	36.86	27.86
65	31.34	24.10	33.27	25.45	34.80	26.46	36.67	27.72
75	30.92	24.81	32.68	26.07	34.30	27.19	36.48	28.79
85	27.83	21.86	29.48	23.02	31.26	24.28	33.26	25.68
95	26.76	22.22	27.88	23.04	29.07	23.91	30.44	24.90
105	25.44	21.26	26.75	22.22	27.89	23.03	29.05	23.88
110	23.64	21.00	24.93	22.02	26.16	22.99	27.39	23.94
115	22.21	20.44	23.14	21.20	24.28	22.11	25.56	23.15
122	20.19	20.20	21.06	20.98	22.26	22.10	23.33	23.05

HEATING CAPACITY

030

Outdoor Temperature - °F (Dry Bulb)	Indoor Temperature - °F (Dry Bulb)			
	60°F	65°F	70°F	75°F
	Total mBtuh	Total mBtuh	Total mBtuh	Total mBtuh
-13	13.17	12.76	12.45	11.97
-4	14.71	14.25	13.83	13.28
0	15.35	14.87	14.50	13.89
5	16.02	15.56	15.04	14.50
17	19.34	18.80	18.23	17.47
20	21.01	20.32	19.79	18.98
25	22.70	21.98	21.30	20.51
32	24.28	23.55	22.77	21.98
35	25.78	25.03	24.21	23.31
40	31.63	30.83	29.90	28.85
47	36.77	35.73	34.56	33.07
50	37.50	36.27	35.39	33.79
57	38.38	37.41	36.28	34.72

COOLING CAPACITY
036

Outdoor Temperature - °F (Dry Bulb)	Indoor Temperature - °F (Dry Bulb / Wet Bulb)							
	65°F / 54°F		70°F / 59°F		75°F / 63°F		80°F / 67°F	
	Total mBtuh	Sensible mBtuh	Total mBtuh	Sensible mBtuh	Total mBtuh	Sensible mBtuh	Total mBtuh	Sensible mBtuh
-13	33.65	22.23	35.72	23.46	37.49	24.48	39.42	25.62
-4	35.02	22.55	37.09	23.77	38.80	24.71	41.06	25.99
0	36.12	23.94	37.78	24.92	39.90	26.19	41.73	27.25
5	36.44	25.34	38.36	26.51	39.96	27.47	42.33	28.95
17	38.32	27.39	40.63	28.90	42.59	30.14	44.55	31.37
25	39.65	29.35	42.00	30.91	44.49	32.58	46.79	34.06
35	42.03	30.62	44.57	32.30	46.77	33.71	48.77	34.96
47	41.87	30.24	44.08	31.69	46.20	33.01	48.63	34.53
55	41.94	32.71	44.15	34.22	46.52	35.87	48.71	37.31
65	41.35	32.21	43.30	33.51	46.01	35.41	48.80	37.38
75	41.59	32.56	43.78	34.11	46.23	35.80	48.87	37.63
85	38.94	30.76	40.65	31.97	42.56	33.31	45.09	35.08
95	35.10	29.10	36.79	30.33	38.32	31.39	40.56	33.05
105	32.82	28.27	34.91	29.89	36.41	31.00	38.69	32.77
110	31.16	28.49	32.87	29.89	34.64	31.33	36.50	32.81
115	29.51	27.29	30.83	28.35	32.36	29.59	33.70	30.67
122	25.82	25.68	27.15	26.90	28.55	28.18	29.77	29.27

HEATING CAPACITY
036

Outdoor Temperature - °F (Dry Bulb)	Indoor Temperature - °F (Dry Bulb)			
	60°F	65°F	70°F	75°F
	Total mBtuh	Total mBtuh	Total mBtuh	Total mBtuh
-13	20.48	19.86	19.36	18.61
-4	22.78	22.20	21.51	20.69
0	23.94	23.15	22.46	21.58
5	24.83	24.11	23.38	22.54
17	30.28	29.37	28.51	27.23
20	31.28	30.52	29.57	28.36
25	32.30	31.36	30.60	29.52
32	33.64	32.50	31.59	30.32
35	34.59	33.55	32.64	31.46
40	40.83	39.52	38.34	36.73
47	47.21	46.06	44.63	42.98
50	48.24	47.06	45.83	43.81
57	49.48	48.08	46.86	45.08

COOLING CAPACITY

048

Outdoor Temperature - °F (Dry Bulb)	Indoor Temperature - °F (Dry Bulb / Wet Bulb)							
	65°F / 54°F		70°F / 59°F		75°F / 63°F		80°F / 67°F	
	Total mBtuh	Sensible mBtuh	Total mBtuh	Sensible mBtuh	Total mBtuh	Sensible mBtuh	Total mBtuh	Sensible mBtuh
-13	44.92	28.68	47.04	29.89	49.77	31.48	52.89	33.27
-4	46.94	30.47	49.83	32.14	52.45	33.64	55.10	35.15
0	49.02	33.50	51.11	34.74	53.24	35.97	55.93	37.58
5	48.34	32.54	50.51	33.84	53.68	35.76	56.80	37.66
17	49.46	34.57	52.45	36.49	54.98	38.01	57.27	39.34
25	50.18	36.71	52.54	38.23	54.84	39.68	57.19	41.18
35	48.00	35.91	51.01	37.98	54.04	40.04	57.12	42.10
47	50.75	37.34	53.82	39.37	56.24	40.93	59.14	42.82
55	49.84	37.37	52.80	39.35	55.58	41.21	58.26	42.94
65	49.33	38.18	51.76	39.87	55.00	42.17	57.30	43.72
75	48.35	38.18	51.21	40.24	53.46	41.74	56.33	43.77
85	45.50	36.97	47.40	38.33	50.05	40.27	52.97	42.37
95	44.48	35.59	46.62	37.07	48.66	38.48	50.90	40.01
105	40.96	35.00	43.39	36.91	45.29	38.28	48.13	40.43
110	39.11	35.15	41.21	36.83	43.71	38.86	45.81	40.50
115	36.59	34.03	38.11	35.27	39.87	36.70	42.23	38.64
122	32.29	32.09	34.32	33.99	36.12	35.62	37.67	36.99

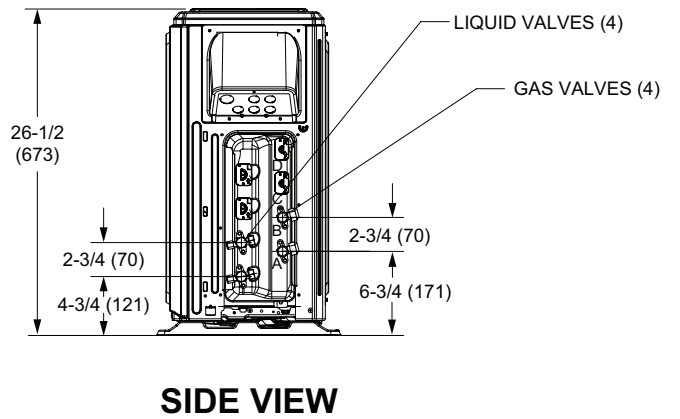
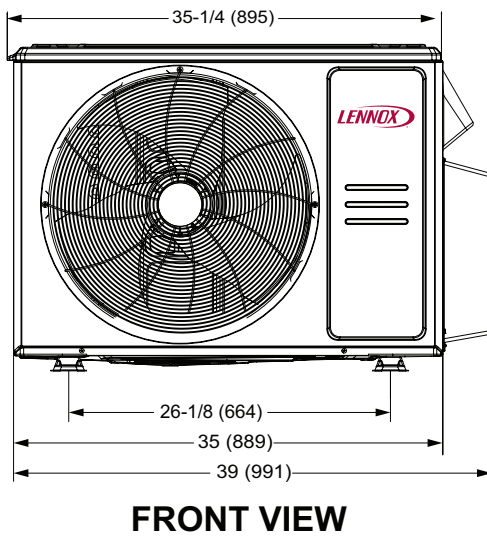
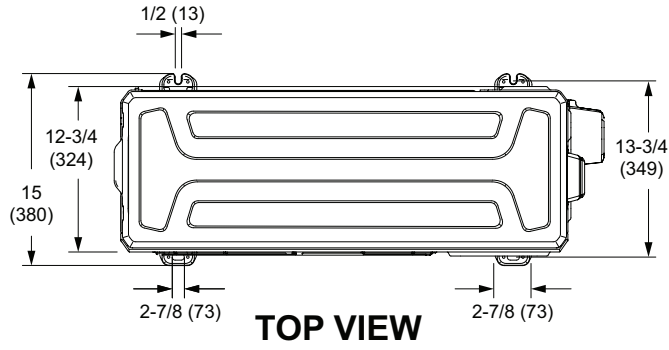
HEATING CAPACITY

048

Outdoor Temperature - °F (Dry Bulb)	Indoor Temperature - °F (Dry Bulb)			
	60°F	65°F	70°F	75°F
	Total mBtuh	Total mBtuh	Total mBtuh	Total mBtuh
-13	24.10	23.28	22.67	21.81
-4	26.70	25.87	25.19	24.15
0	28.06	27.11	26.29	25.32
5	28.99	28.20	27.38	26.26
17	35.95	34.83	33.88	32.43
20	36.70	35.77	34.86	33.57
25	37.78	36.68	35.78	34.39
32	38.99	37.78	36.68	35.03
35	39.62	38.58	37.60	36.14
40	48.29	47.11	45.60	43.83
47	56.10	54.52	53.14	50.75
50	58.23	56.37	54.47	52.02
57	59.13	57.69	55.80	53.51

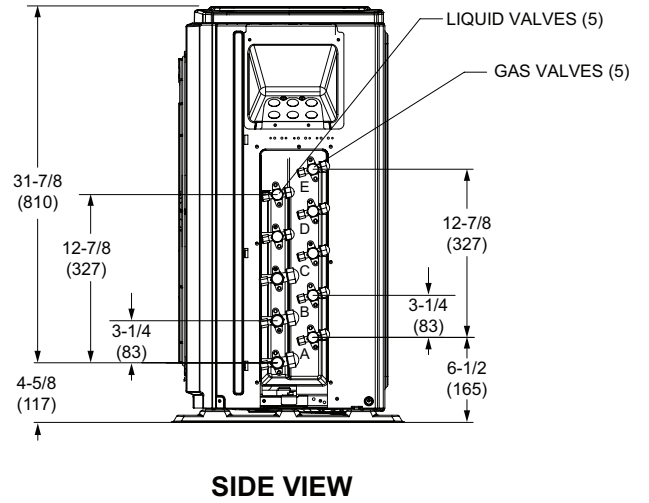
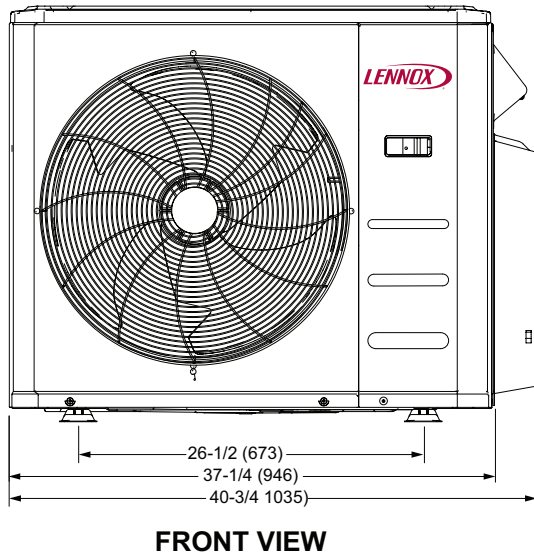
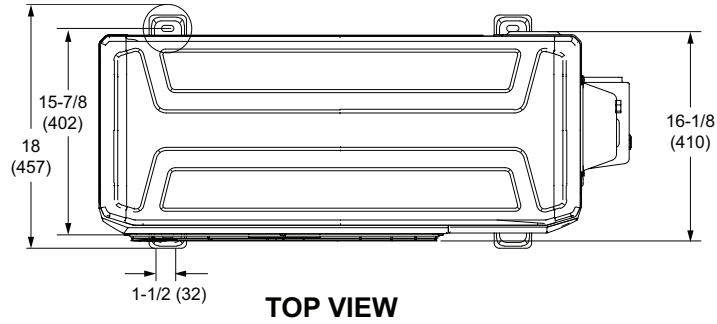
DIMENSIONS

MPC018S4M | MPC024S4M | MPC030S4M



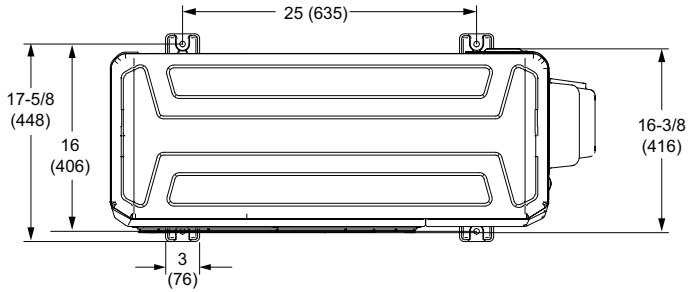
DIMENSIONS

MPC036S4M

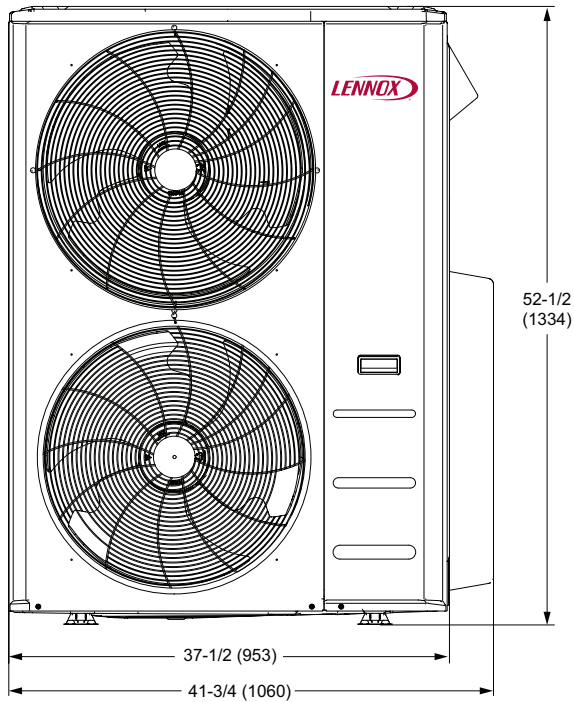


DIMENSIONS

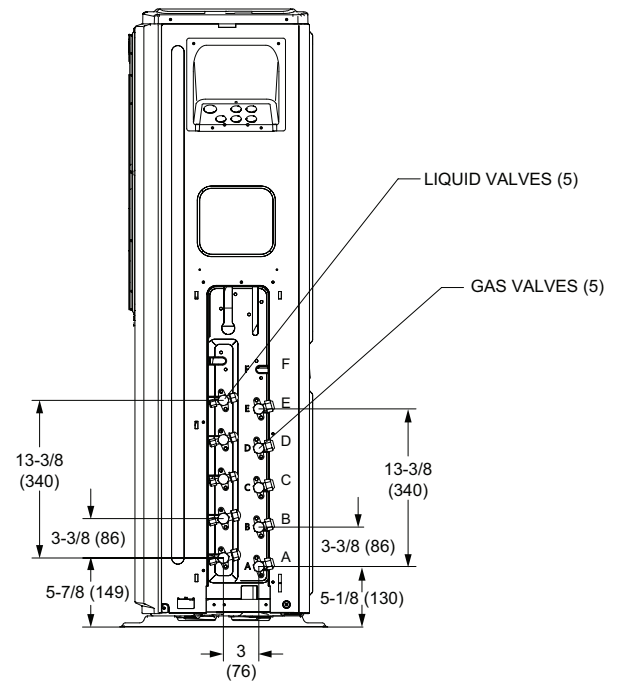
MPC048S4M



TOP VIEW

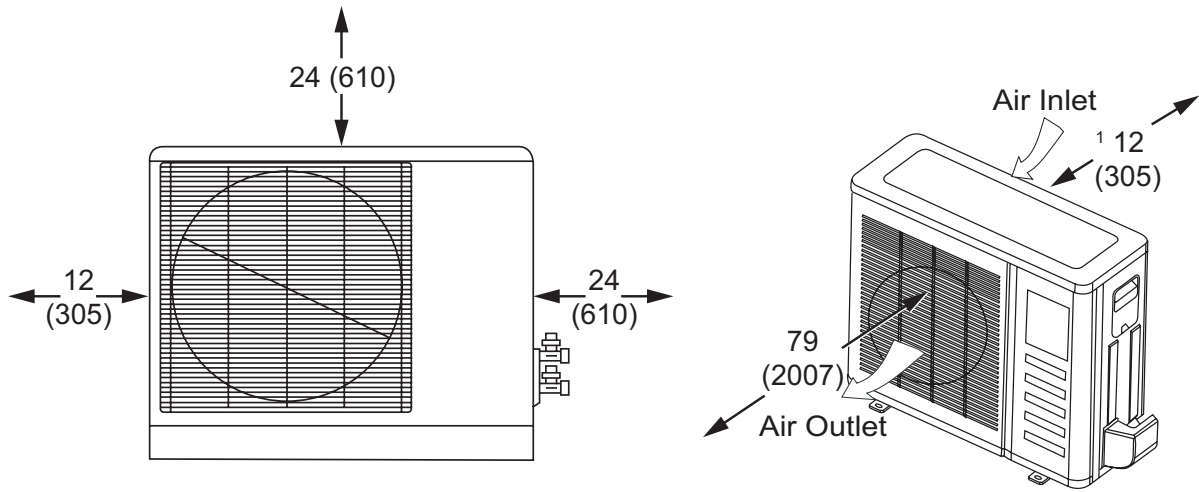


FRONT VIEW

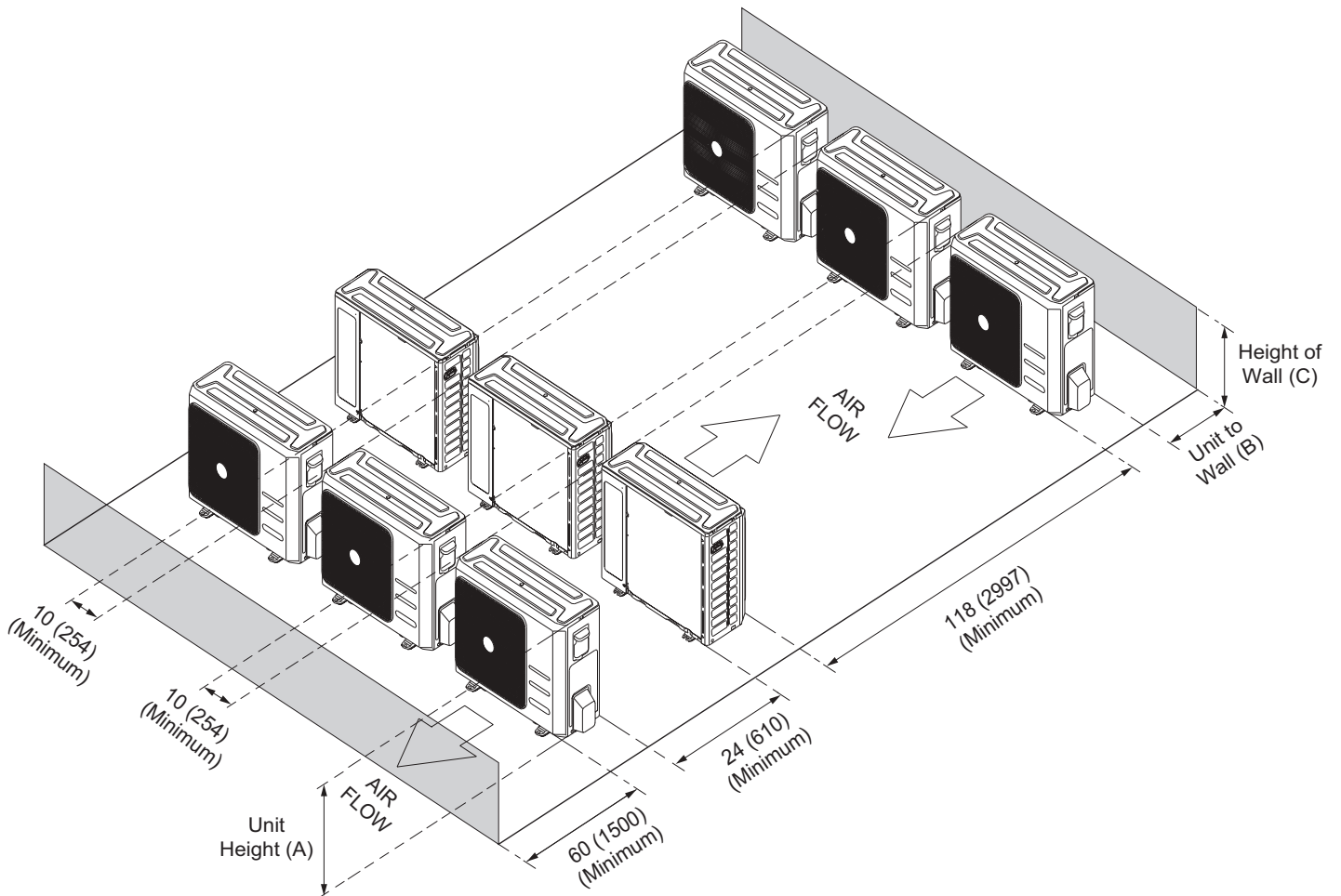


SIDE VIEW

INSTALLATION CLEARANCES



¹ Minimum rear clearance can be 6 inches (152 mm) when mounted on brackets and with no obstructions on the other three sides.



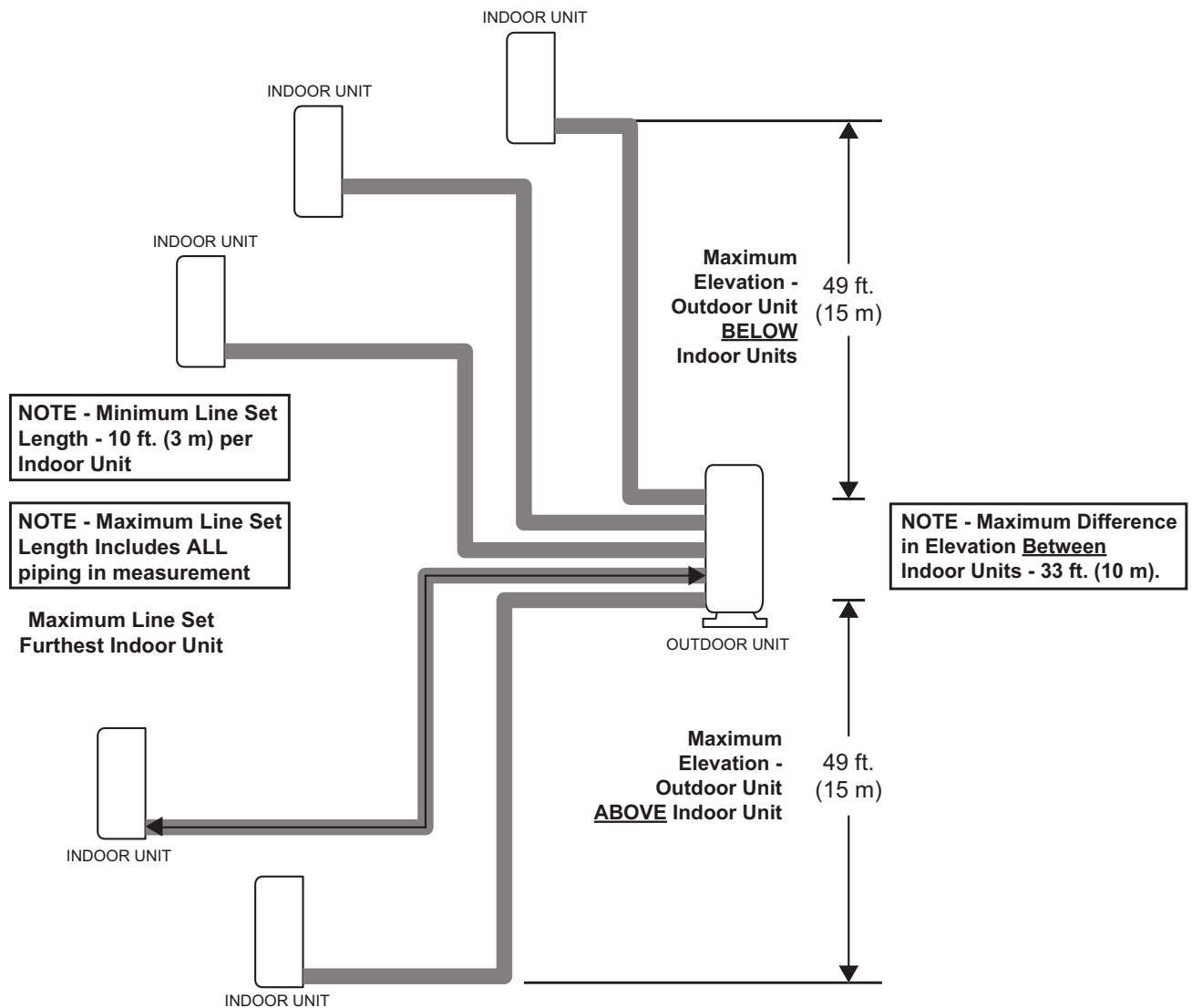
CLEARANCE NOTES FOR MULTIPLE UNITS:

If the height of the wall (C) is less than or equal to the height of the smallest unit (A), the distance from the unit to the wall (B) must be a minimum of 10 inches (254 mm).

If 1/2 the height of the unit (A) is less than the height of the wall (C), the distance from the unit to the wall (B) must be a minimum of 12 inches (305 mm).

If the height of the wall (C) is greater than the height of the unit (A), the distance from the unit to the wall (B) must be a minimum of 20 inches (508 mm).

LINE SET AND ELEVATION GUIDELINES



Outdoor Unit Model	MPC018S4M	MPC024S4M	MPC030S4M	MPC036S4M	MPC048S4M
Maximum Number of Indoor Units/Zones	Two	Three	Three	Four	Five
Indoor Unit Connections	(2) 1/4 liq. (2) 3/8 gas	(3) 1/4 liq. (3) 3/8 gas	(3) 1/4 liq. (3) 3/8 gas	(4) 1/4 liq. (3) 3/8 gas (1) 1/2 gas	(5) 1/4 liq. (3) 3/8 gas (2) 1/2 gas
Maximum Pipe Length for all Rooms	131 ft. (40 m)	197 ft. (60 m)	197 ft. (60 m)	262 ft. (80 m)	262 ft. (80 m)
Maximum Line Set Length - Furthest Indoor Unit	82 ft. (25 m)	98 ft. (30 m)	98 ft. (30 m)	115 ft. (35 m)	115 ft. (35 m)

NOTE - Refer to "Outdoor To Indoor Unit Line Connections" tables starting on page 23 for correct refrigerant line adaptors furnished with outdoor units.

REVISIONS

Sections	Description of Change
Approvals and Warranty	Updated Warranty statement.



HRAI
✓ MEMBER COMPANY



Visit us at www.Lennox.com

For the latest technical information, www.LennoxPros.com

Contact us at 1-800-9-LENNOX

NOTE - Due to Lennox' ongoing commitment to quality, Specifications, Ratings and Dimensions subject to change without notice and without incurring liability. Improper installation, adjustment, alteration, service or maintenance can cause property damage or personal injury. Installation and service must be performed by a qualified installer and servicing agency.

©2024 Lennox Industries, Inc.