



01

02

03

04

05

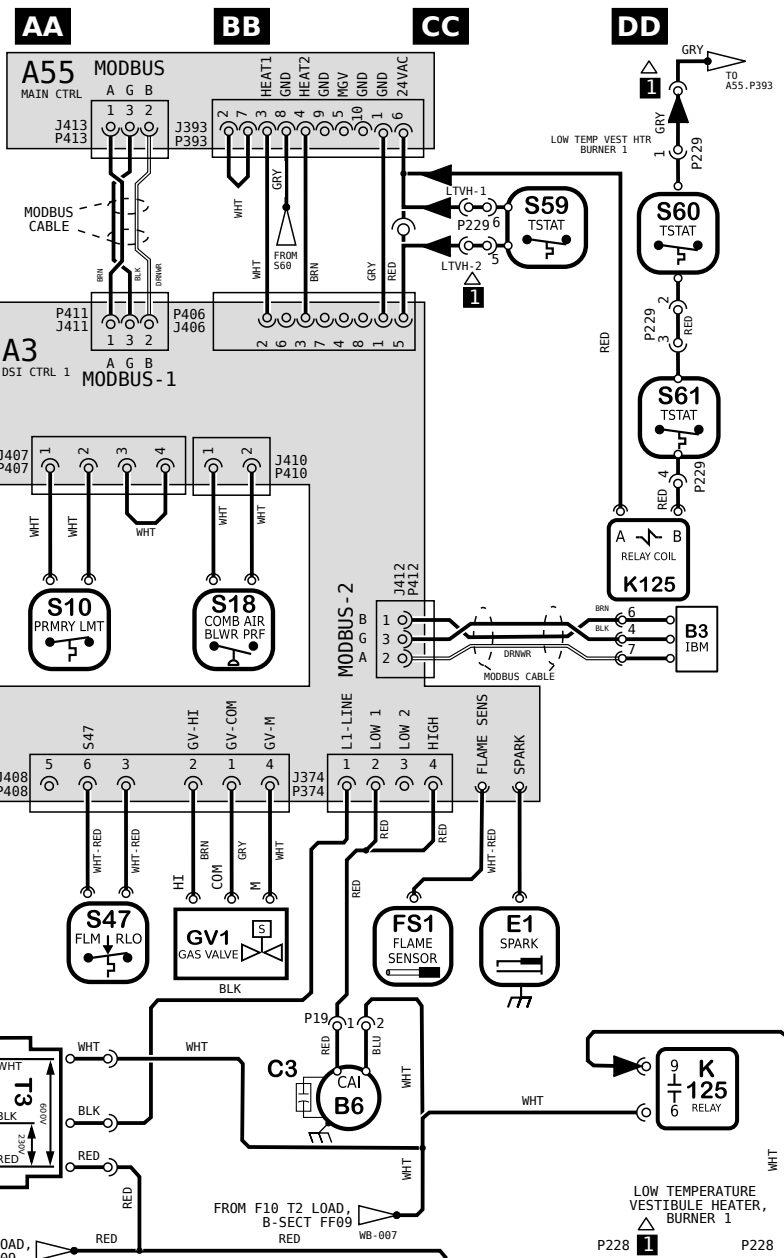
06

07

08

09

10



KEY LIST

LOCATION	COMPONENT DESCRIPTION
AA02	A3 CONTROL BOARD, DSI BURNER
AA01	A55 CONTROL BOARD, MAIN
DD04	B3 MOTOR, BLOWER
BB06	B6 MOTOR, COMBUSTION AIR IND., BURNER
BB06	C3 CAPACITOR, CAI MOTOR
CC06	E1 IGNITER, SPARK, BURNER
CC06	FS1 SENSOR, FLAME, BURNER
BB06	GV1 VALVE, GAS, BURNER
DD08	HR6 HEATER, -50C LOW TEMP VEST. BURNER
CC08/DD08	K125 RELAY, LOW TEMP VEST HEATER, BURNER
AA04	S10 LIMIT, PRIMARY, BURNER
BB04	S18 SWITCH, COMB AIR BLWR PROOF, BURNER
AA05	S47 SWITCH, FLAME ROLLOUT, BURNER
AA01	S59 TSTAT, OPEN -20F, CLOSE 10F, BURNER
CC02	S60 TSTAT, OPEN 20F, CLOSE -10F, BURNER
CC03	S61 TSTAT, OPEN 50F, CLOSE 20F, BURNER
AA08/AA07	T3 TRANSFORMER, COMBUSTION AIR BLOWER

← DENOTES OPTIONAL COMPONENTS AND WIRING

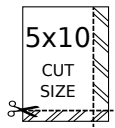
NOTES	
1	-50C LOW TEMPERATURE VESTIBULE HEATER - OPTIONAL

© 2019

HTG SEC A	CLG SEC B	CLG SEC B3	ACCS SEC C	ACCS SEC D
-----------------	-----------------	------------------	------------------	------------------

WIRING DIAGRAM FLOW

Model: LG* Series RTU - Gas Heat ...
 130k, 180k, 240k BtuH
 Voltage: 575/3/60 (J)
 Supersedes: XXXXXX-XX Form No: 538173-02 Rev: 0



REV	EC NO.	DATE	BY	APVD	REVISION NOTE
---	CN-010219G	08-26-2022	JDH	RXJ	ORIGINATED AT PD&R CARROLLTON, TX



01

02

03

04

05

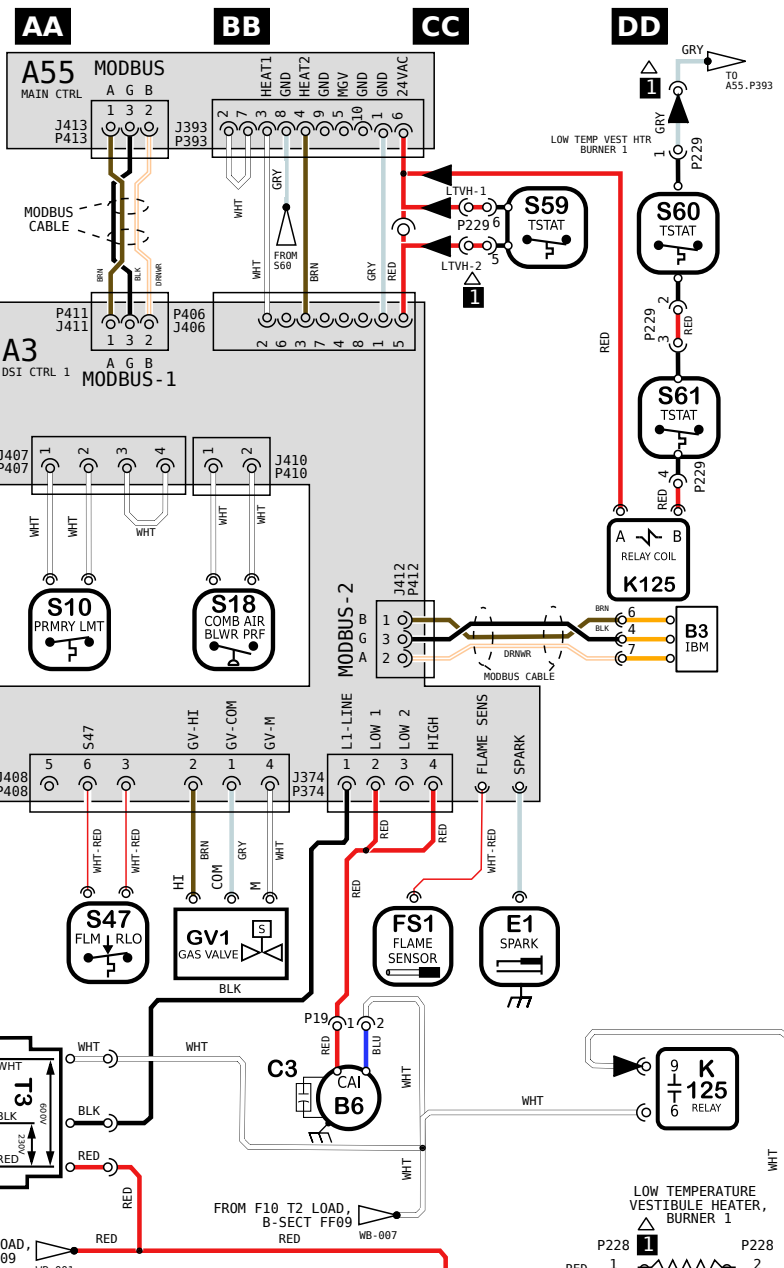
06

07

08

09

10



KEY LIST

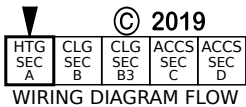
LOCATION	COMPONENT DESCRIPTION
AA02	A3 CONTROL BOARD, DSI BURNER
AA01	A55 CONTROL BOARD, MAIN
DD04	B3 MOTOR, BLOWER
BB06	B6 MOTOR, COMBUSTION AIR IND., BURNER
BB06	C3 CAPACITOR, CAI MOTOR
CC06	E1 IGNITER, SPARK, BURNER
CC06	FS1 SENSOR, FLAME, BURNER
BB06	GV1 VALVE, GAS, BURNER
DD08	HR6 HEATER, -50C LOW TEMP VEST. BURNER
CC08/DD08	K125 RELAY, LOW TEMP VEST HEATER, BURNER
AA04	S10 LIMIT, PRIMARY, BURNER
BB04	S18 SWITCH, COMB AIR BLWR PROOF, BURNER
AA05	S47 SWITCH, FLAME ROLLOUT, BURNER
AA01	S59 TSTAT, OPEN -20F, CLOSE 10F, BURNER
CC02	S60 TSTAT, OPEN 20F, CLOSE -10F, BURNER
CC03	S61 TSTAT, OPEN 50F, CLOSE 20F, BURNER
AA08/AA07	T3 TRANSFORMER, COMBUSTION AIR BLOWER

← DENOTES OPTIONAL COMPONENTS AND WIRING

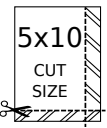
NOTES

- 1 -50C LOW TEMPERATURE VESTIBULE HEATER - OPTIONAL

Model: LG* Series RTU - Gas Heat ...
 Voltage: 575/3/60 (J)
 Supersedes: XXXXXX-XX Form No: 538173-02 Rev: 0



WIRING DIAGRAM FLOW



REV	EC NO.	DATE	BY	APVD	REVISION NOTE
---	CN-010219G	08-26-2022	JDH	RXJ	ORIGINATED AT PD&R CARROLLTON, TX