



VRF

# SUBMITTAL DATA - OUTDOOR UNIT VPB048H4M-3P Mini-VRF Heat Pump

Job: \_\_\_\_\_  
 Location: \_\_\_\_\_  
 Schedule No.: \_\_\_\_\_  
 System Designation: \_\_\_\_\_

Engineer: \_\_\_\_\_  
 Architect: \_\_\_\_\_  
 Location: \_\_\_\_\_  
 Date: \_\_\_\_\_

## Heat Pump Outdoor Unit

For:    Reference    Approval    Review    Construction

### FEATURES

- Two-pipe heat pump
- High efficiency twin rotary compressor
- Intelligent soft start
- Built-in base pan heater
- Power meter interface

### WARRANTY

- Compressor - 10-year limited warranty
  - All other components - 10-year limited warranty
- \*See warranty for details

### SPECIFICATIONS

#### PERFORMANCE

|                                       |                    |              |
|---------------------------------------|--------------------|--------------|
| Cooling Capacity <sup>1</sup> (Btu/h) | Nominal            | 48,000       |
|                                       | Rated <sup>2</sup> | 48,000       |
| EER2                                  | Ducted             | 9.8          |
|                                       | Non-Ducted         | 10.8         |
| SEER2                                 | Ducted             | 17.3         |
|                                       | Non-Ducted         | 18.8         |
| Heating Capacity <sup>1</sup> (Btu/h) | 52500              |              |
|                                       | HSPF2              | Ducted       |
|                                       | Non-Ducted         | 9.3          |
| Operating Range (°F)                  | Heating            | -4°F to 80°F |
|                                       | Cooling            | 5°F to 118°F |

#### ELECTRICAL DATA

|                                    |              |
|------------------------------------|--------------|
| Power Supply (Volts/Phase/Hertz)   | 208-230/1/60 |
| Minimum Circuit Ampacity (A)       | 38           |
| Maximum Overcurrent Protection (A) | 40           |
| Compressor RLA (A)                 | 28.2         |
| Number of Compressors              | 1            |
| Outdoor Fan Power Output (W)       | 90+90        |
| Outdoor Fan FLA (A)                | 1.2/1.2      |

#### GENERAL DATA

|  |             |
|--|-------------|
| Connection Ratio                       | 45% to 130% |
| Maximum Number of Indoor Units         | 7           |
| Outdoor Fan Total Air Volume (cfm)     | 4100        |
| Sound Pressure Level (dBA)             | 61          |
| Refrigerant Type                       | R-410A      |
| Factory Refrigerant Charge (each unit) | 8.6 lbs.    |

#### NOTES

- Cooling and Heating capacity data is rated at the following conditions:  
 Cooling: 80°FDB / 67°FWB Indoor, 95°FDB Outdoor  
 Heating: 70°FDB Indoor, 47°FDB / 43°FWB Outdoor
- Complies with AHRI 210/240 testing standards
- Operating Voltage Range 191V to 247V



#### DIMENSIONS

|                 |        |        |
|-----------------|--------|--------|
| Unit            | Height | 52-1/4 |
| Dimensions (in) | Width  | 35-3/8 |
|                 | Depth  | 13-1/4 |

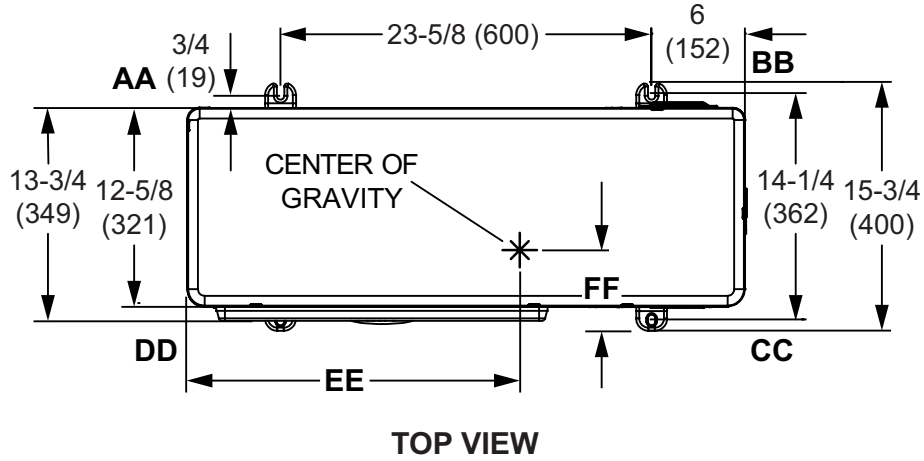
#### Main System Piping (in)

|                            |     |
|----------------------------|-----|
| Liquid Pipe Connection     | 3/8 |
| Gas Pipe Connection        | 3/4 |
| Unit Net Weight (lb)       | 220 |
| Unit Shipping Weight (lb.) | 245 |

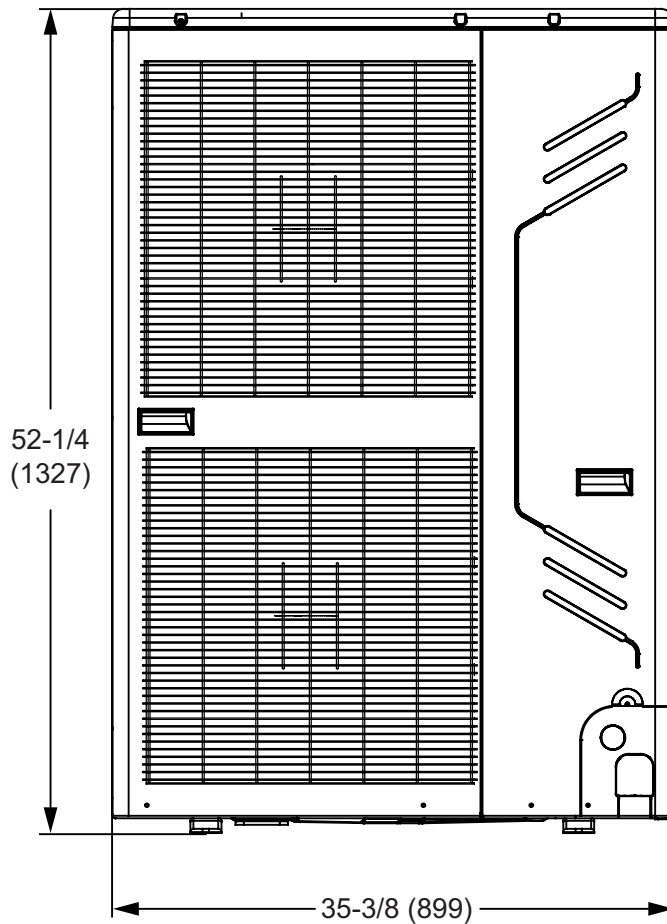


NOTE - Due to Lennox' ongoing commitment to quality, Specifications, Ratings and Dimensions subject to change without notice and without incurring liability. Improper installation, adjustment, alteration, service or maintenance can cause property damage or personal injury. Installation and service must be performed by a qualified installer and servicing agency.

**DIMENSIONAL DRAWINGS - INCHES (MM)**



**TOP VIEW**



**FRONT VIEW**

NOTE - Due to Lennox' ongoing commitment to quality, Specifications, Ratings and Dimensions subject to change without notice and without incurring liability. Improper installation, adjustment, alteration, service or maintenance can cause property damage or personal injury. Installation and service must be performed by a qualified installer and servicing agency.