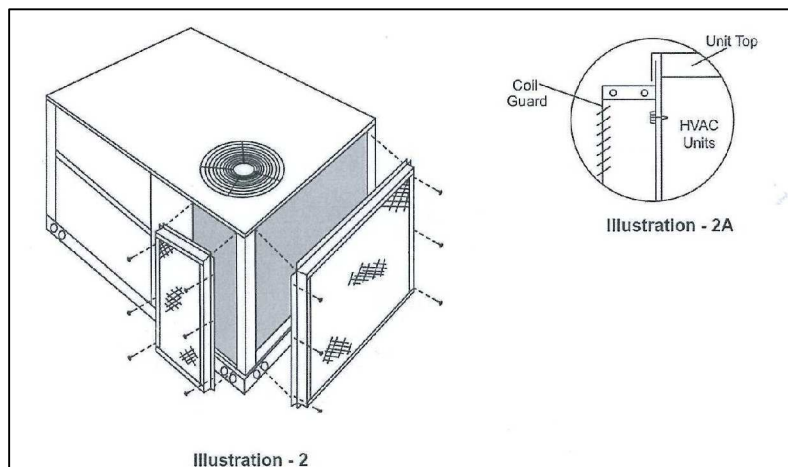
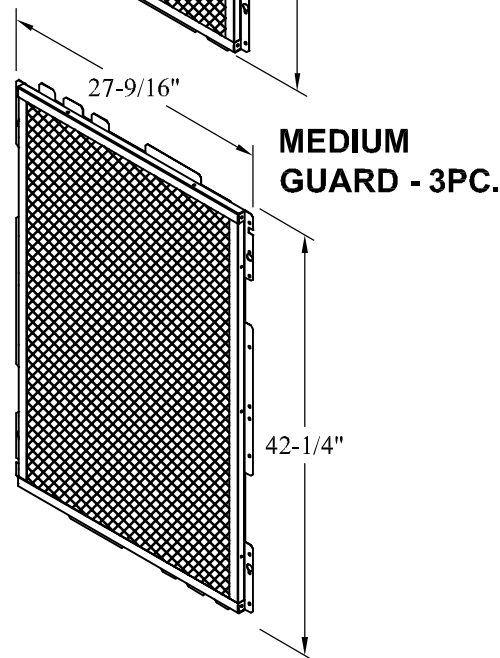
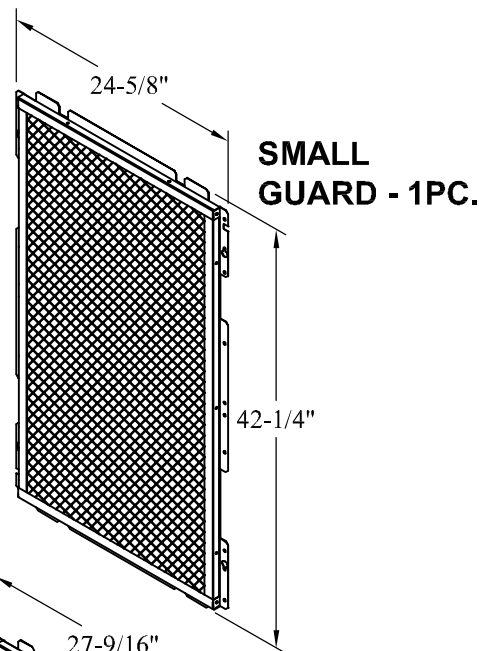




INSTALL INSTRUCTIONS FOR CONSOLIDATED COIL/HAIL GUARDS FOR LENNOX (CAT# 24C86)

CAUTION
WHEN INSTALLING COIL GUARD BE SURE
NOT TO PUNCTURE CONDENSER COIL

1. THE LCG24C86 COIL GUARDS ARE DESIGNED TO PROTECT THE CONDENSOR COIL OF THE HVAC UNIT. THE FOLLOWING ARE INCLUDED:—
SHIPPING AND PACKING LIST
- 1— SMALL COIL GUARD
- 3— MEDIUM COIL GUARD
- 1— HARDWARE BAG W/
1—INSTRUCTIONS
- 24—#10—1/2" SCREWS



INSTALLATION

1. DISCONNECT ALL POWER SOURCES TO THE UNIT.
2. SLIDE THE TOP FLANGE OF THE COIL GUARD UNDERNEATH THE TOP FLANGE OF THE HVAC UNIT. (SEE ILL. 2 AND 2A)
3. SCREW THE SIDE FLANGES OF THE GUARD WITH THE UNIT. TO AVOID COIL DAMAGE, USE ONLY 1/2" SCREWS PROVIDED.

NOTE:- BE CAREFUL NOT TO DAMAGE THE COIL WHILE INSTALLING THE GUARD. THE SELF DRILLING SCREWS PROVIDED CAN BE USED ON ALL THE SIDES WITH OR WITHOUT MATCHING HOLES IN THE UNIT.



INSTALL INSTRUCTIONS FOR
CONSOLIDATED COIL/HAIL GUARDS
TO SUIT
LENNOX CAT# 24C86

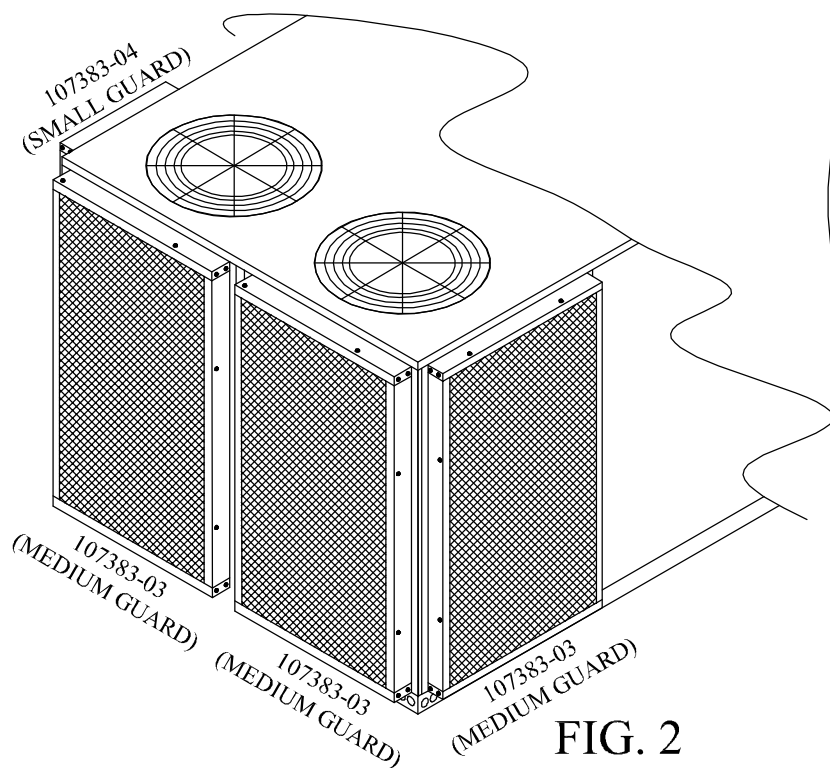


FIG. 2

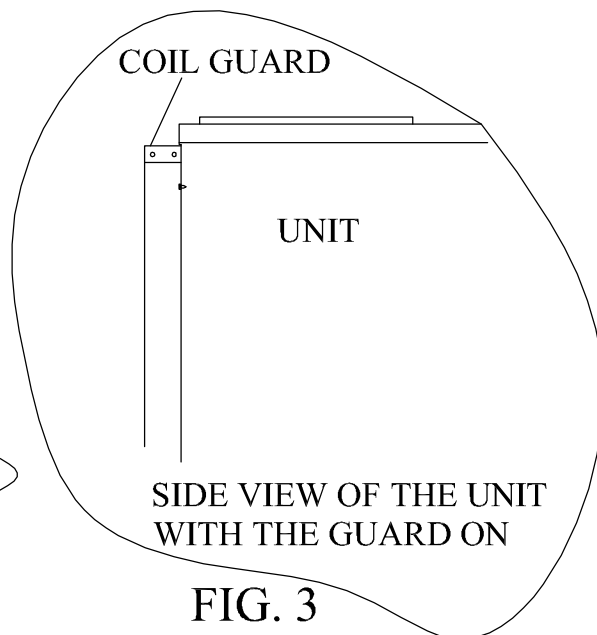


FIG. 3

5. REPEAT THE PROCESS FOR THE REMAINING GUARDS. TO AVOID COIL DAMAGE, USE ONLY 1/2" SCREWS PROVIDED.