

508312-01
8/2023
Supersedes 9/2021

BELT TENSIONER KIT & REPLACEMENT KIT

INSTALLATION INSTRUCTIONS FOR BELT TENSIONER KIT & REPLACEMENT KIT (623906 & 623907; 24B80 & 24B81) USED ON LG/LC/LH/LD 156-300 PACKAGED UNITS

WARNING

Improper installation, adjustment, alteration, service or maintenance can cause property damage, personal injury or loss of life. Installation and service must be performed by a licensed professional installer (or equivalent), service agency or the gas supplier.

Shipping and Packing List

Package 1 of 1 contains:

- 1-Tensioner
- 2-Tensioner brackets (24B80 only)
- Bag assembly containing:
 - 1-Belt tensioner sticker (24B80 only)

Check packaging for shipping damage. Contact the last carrier immediately if any shipping damage is found.

Application

This kit is designed for use on LG/LC/LH/LD 156-300 units.

24B80 is used when replacing a tensioner with a rotary adjustment bolt. 24B80 is also used as a field-installed kit on units not equipped with an auto-tensioner.

24B81 is used when replacing a tensioner similar to the one provided in this kit. Brackets and tensioner sticker are not replaced.

CAUTION

As with any mechanical equipment, personal injury can result from contact with sharp sheet metal edges. Be careful when you handle this equipment.

Installation

- 1 - Disconnect all power to unit.
- 2 - Release the belt tension and remove the blower belt.
- 3 - Loosen screws securing the blower assembly sliding base. See figure 1. Slide the blower assembly half way out of the unit.
- 4 - Remove existing tensioner. See figure 1.
- 5 - *24B80 Only* - Remove front and back brackets. See figure 1. Install kit two kit brackets. See figure 2.
- 6 - Install tensioner provided in kit. See figure 2.
- 7 - Tighten belt tension as shown in figure 2.
- 8 - Slide the blower assembly back into the unit. Tighten screws to secure the assembly in place.
- 9 - *24B80 Only* - Replace tensioner sticker with sticker provided in this kit. See figure 2 for sticker location.

WARNING

To prevent serious injury or death:

- 1- Lock-out/tag-out before performing maintenance.
- 2- If system power is required (e.g., smoke detector maintenance), disable power to blower, remove fan belt where applicable, and ensure all controllers and thermostats are set to the "OFF" position before performing maintenance.
- 3- Always keep hands, hair, clothing, jewelry, tools, etc., away from moving parts.

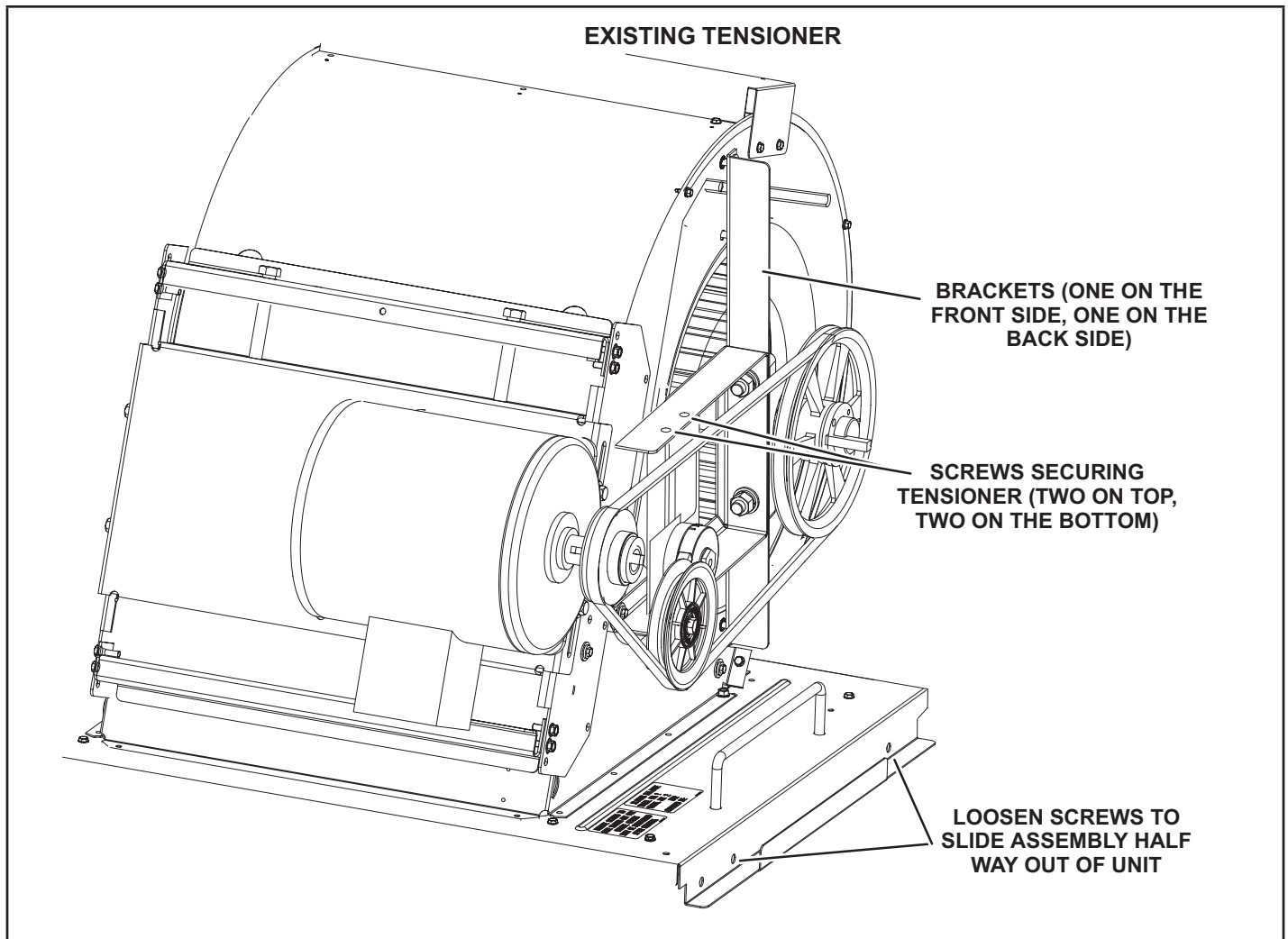


FIGURE 1

REPLACE BRACKETS AND TENSIONER

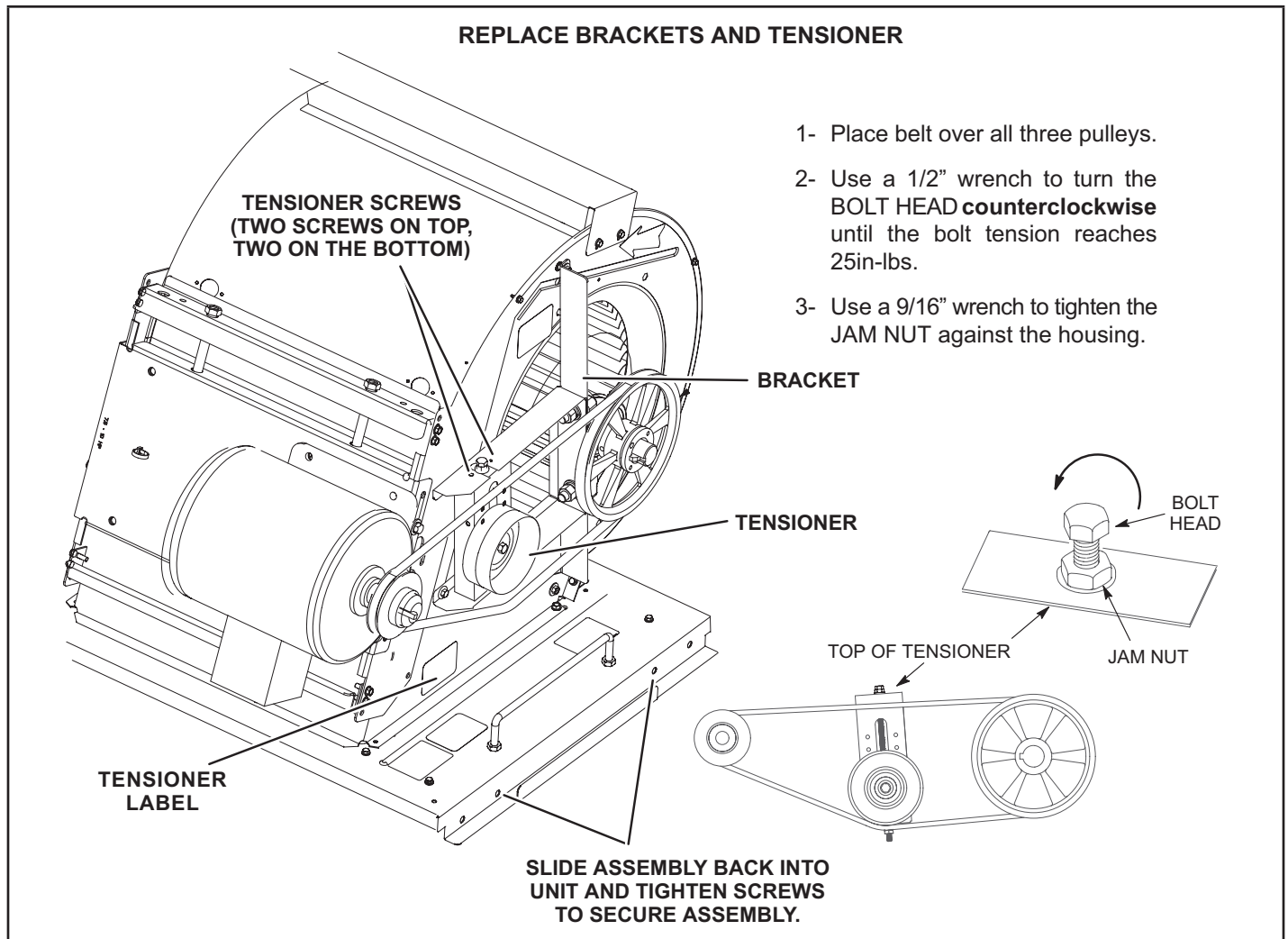


FIGURE 2