



INSTALL INSTRUCTIONS FOR CONSOLIDATED COIL/HAIL GUARD TO SUIT LENNOX CAT # 24M83

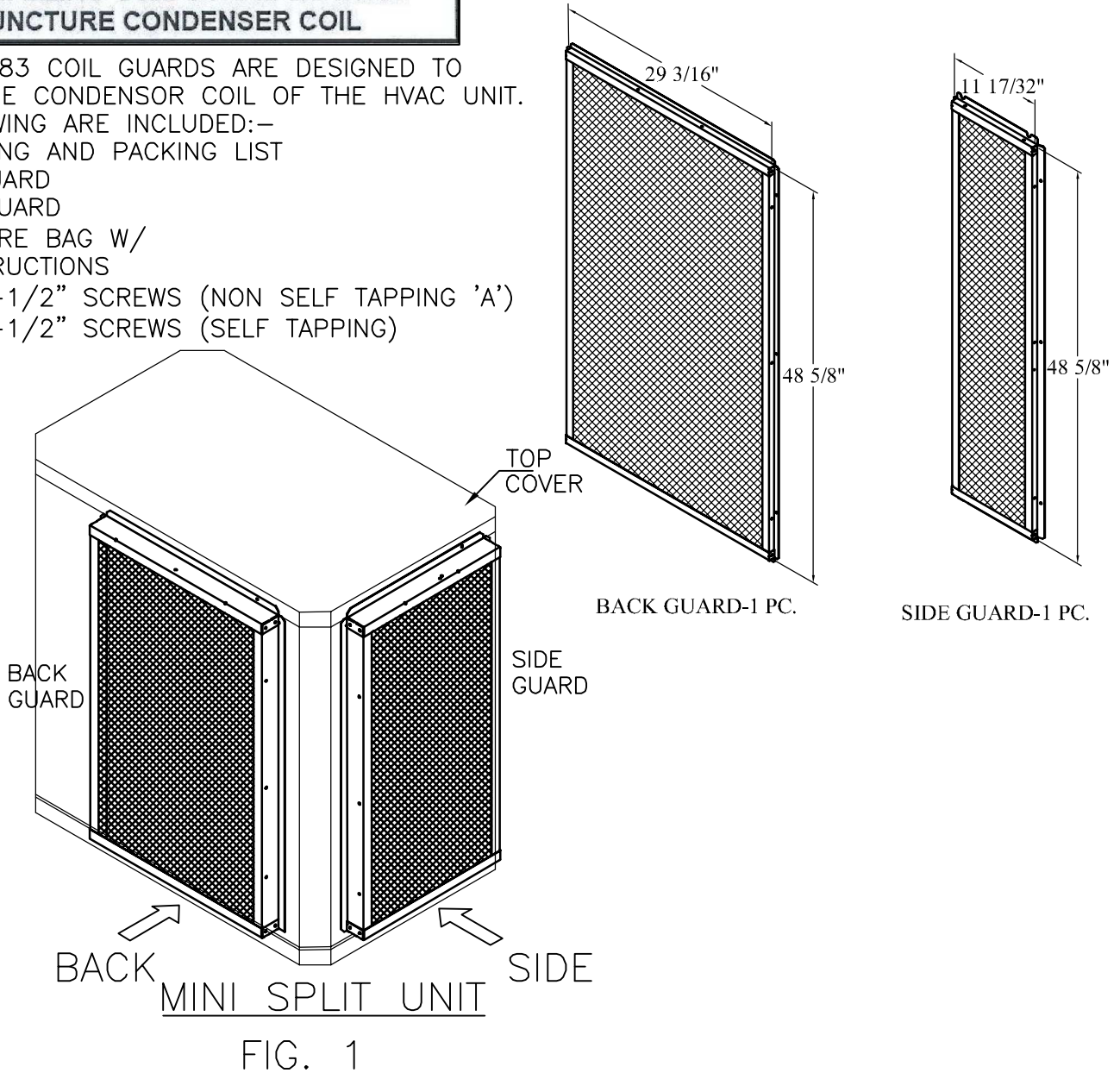
⚠ CAUTION

WHEN INSTALLING COIL GUARD BE SURE
NOT TO PUNCTURE CONDENSER COIL

1. THE 24M83 COIL GUARDS ARE DESIGNED TO
PROTECT THE CONDENSER COIL OF THE HVAC UNIT.
THE FOLLOWING ARE INCLUDED:-

SHIPPING AND PACKING LIST

- 1- SIDE GUARD
- 1- BACK GUARD
- 1- HARDWARE BAG W/
 - 1-INSTRUCTIONS
 - 4-#10-1/2" SCREWS (NON SELF TAPPING 'A')
 - 4-#10-1/2" SCREWS (SELF TAPPING)



**NOTE:- BE CAREFUL NOT TO DAMAGE THE COIL WHILE
INSTALLING THE GUARDS.
THE SELF DRILLING SCREWS PROVIDED CAN BE USED
ON THE SIDES WITHOUT MATCHING HOLES IN THE UNIT.
DO NOT REMOVE WIRE FAN GUARD. LEAVE IT ON THE
UNIT.**

5000412 LCG24M83

MARCH 08 / 23



INSTALL INSTRUCTIONS FOR CONSOLIDATED COIL/HAIL GUARD TO SUIT LENNOX CAT # 24M83

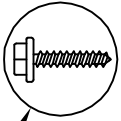
****INSTALLATION PROCEDURE****

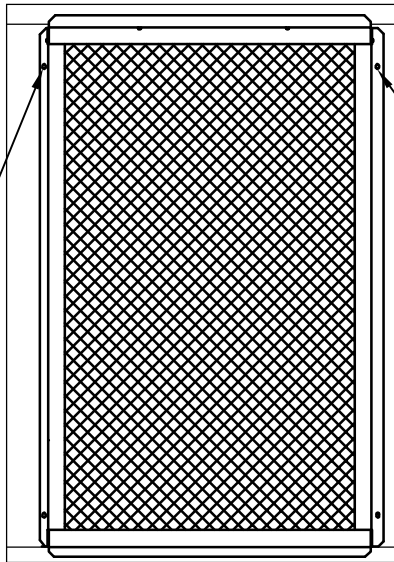
1. DISCONNECT ALL POWER SOURCES TO THE UNIT.
2. REMOVE WIRE GRID ON BACK OF UNIT AND DISCARD.
3. BACK GUARD INSTALLATION:-

-LOCATE AND UNSCREW EXISTING SCREWS ON THE UNIT. USE SAME SCREW HOLES TO LINE UP GUARD LEFT AND RIGHT FLANGES ON TO THE UNIT. TO HOLD THE GUARD, USE #10X1/2" NON SELF TAPPING SCREWS (PROVIDED WITH PACKAGE). DO NOT USE EXISTING UNIT SCREWS JUST REMOVED. USE ONLY HAND SCREW DRIVER, TO AVOID ANY COIL DAMAGE. DO NOT USE POWER DRILL. (FIG.#2)

4. SIDE GUARD INSTALLATION:-

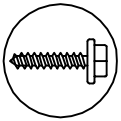
- SECURE LEFT AND RIGHT SIDE FLANGES ON TO THE UNIT BY SECURING THEM WITH #10X1/2" SELF TAPPING SCREWS (PROVIDED WITH PACKAGE).

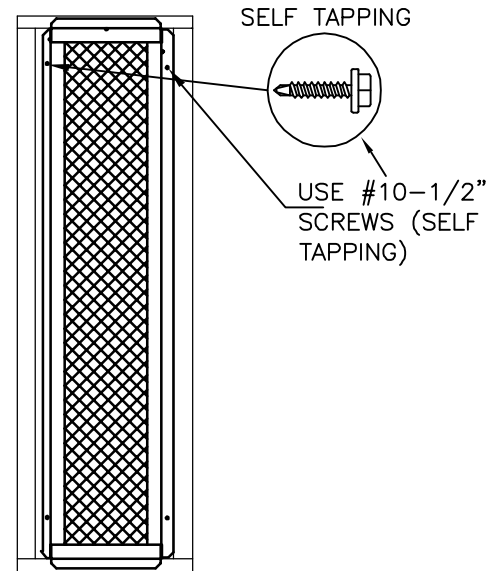
TYPE A

USE #10-1/2" (TYPE A) SCREWS—ONLY USE HAND SCREWDRIVER—DO NOT USE POWER DRILL !!



BACK VIEW

FIG. 2

TYPE A

USE #10-1/2" (TYPE A) SCREWS—ONLY USE HAND SCREWDRIVER—DO NOT USE POWER DRILL !!



SIDE VIEW

FIG. 3