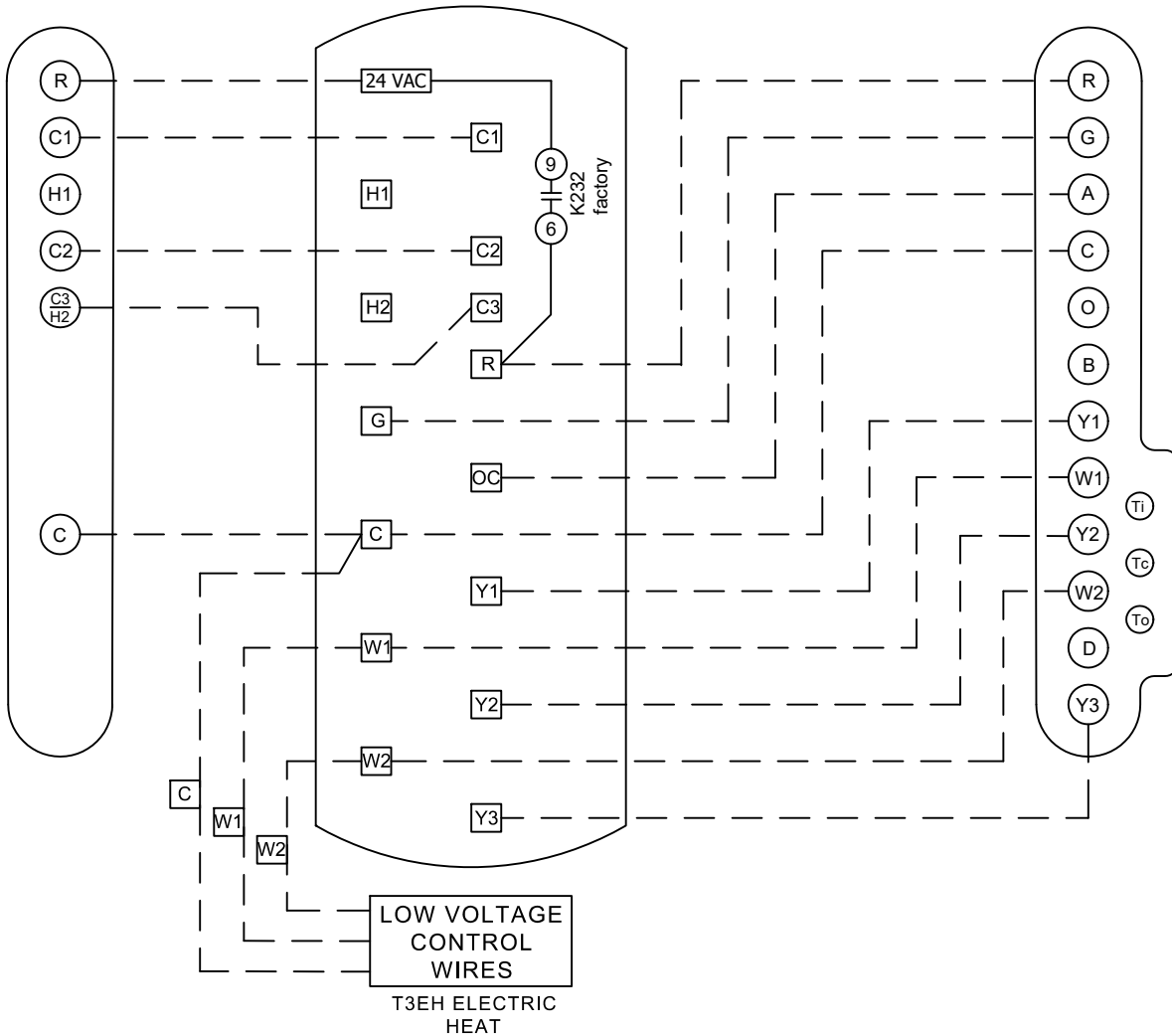



**OUTDOOR  
AIR CONDITIONER**  
(TB14) ⚠

**INDOOR  
AIR HANDLER**  
(TB1) ⚠

**THERMOSTAT**  
(A2) ⚠



- ⚠ WIRING DIAGRAM KEY NUMBERS
- — — THERMOSTAT SUPPLIED BY USER
- — — CLASS II FIELD WIRING

2022/09		WIRING DIAGRAM	09/22
		538312-01	
SPLIT SYSTEMS - 2 COMPRESSOR			
LABEL-WIRING DIAGRAM FIELD CONNECTION ELXA-ELXC			
SECTION C			REV. 0
Supersedes		New Form No. 538312-01	