



538177-01

01

02

03

04

05

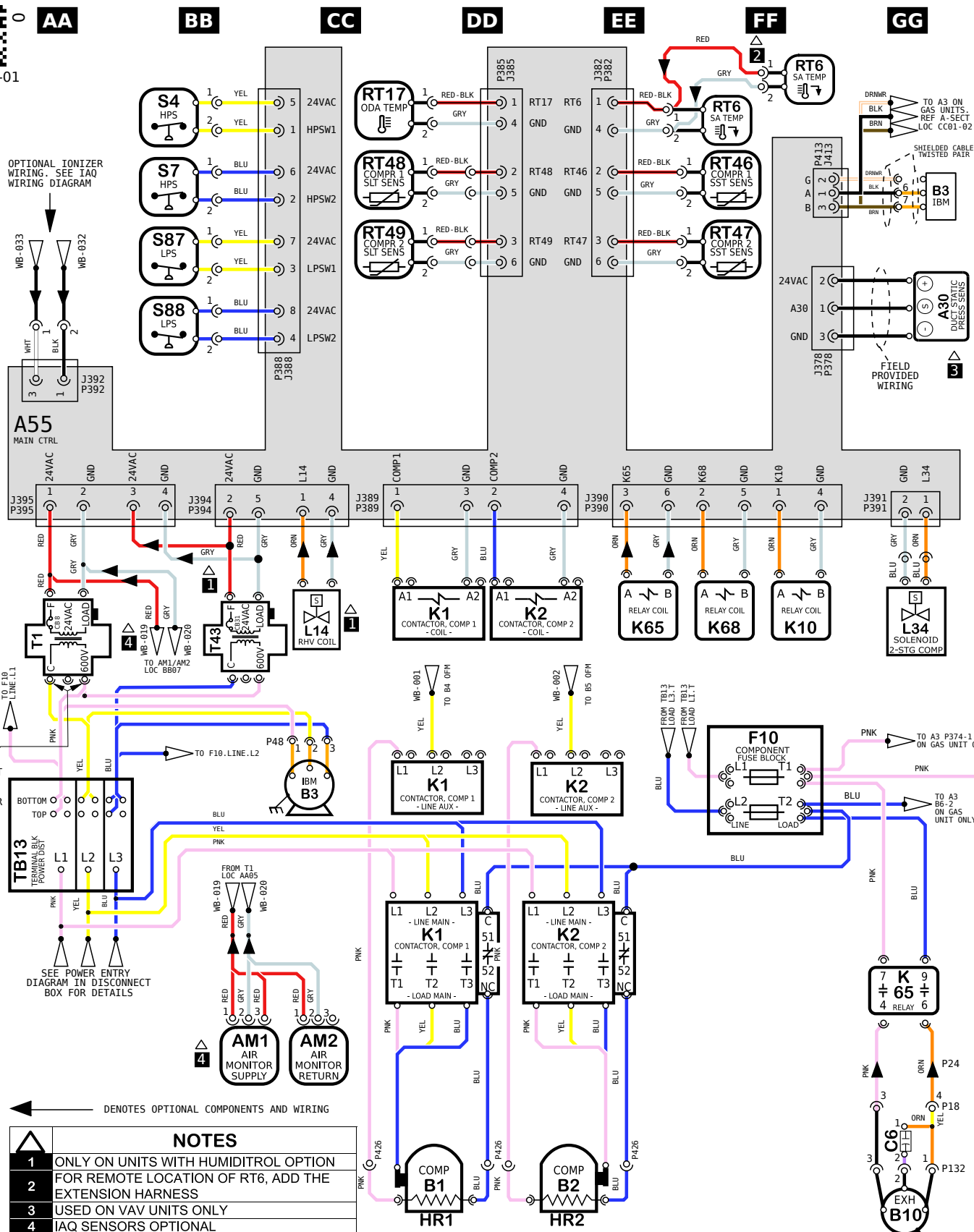
06

07

08

09

10

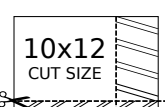
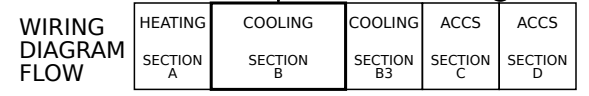


KEY LIST		
LOCATION	COMPONENT DESCRIPTION	
FF05	A30	SENSOR, DUCT STATIC PRESSURE
BB09	AM1, AM2	AIR MONITOR, SUPPLY/RETURN, IAQ-TVOC
DD/EE10	B1, B2	COMPRESSOR 1, 2
CC06, GG01	B3	MOTOR, BLOWER
GG02, HH07	B4, B5	MOTOR, OUTDOOR FAN 1, 2
GG10	B10	MOTOR, EXHAUST FAN 1
HH09, JJ09	C1, C2	CAPACITOR, OUTDOOR FAN 1,2
GG09	C6	CAPACITOR, EXHAUST FAN 1
FF09	F10	FUSE, COMPONENT
DD/EE10	HR1, HR2	HEATER, COMPRESSOR 1, 2
DD/EE05, 06, 08	K1, K2	CONTACTOR, COMPRESSOR 1, 2
FF05, JJ08	K10, K68	RELAY, OUTDOOR FAN 1, 2
EE05, GG08	K65	RELAY, EXHAUST FAN 1
CC05	L14	VALVE, SOLENOID, REHEAT COIL 1
GG03	L34	SOLENOID, TWO STAGE, COMPRESSOR 1
FF01	RT6	SENSOR, A55 DISCHARGE (IMC)
CC01	RT17	SENSOR, OUTSIDE AIR TEMP
FF02	RT46, RT47	SENSOR, SAT. SUCT TEMP., COMP 1, 2
CC02	RT48, RT49	SENSOR, SAT. LIQUID TEMP., COMP 1, 2
BB01/02	S4, S7	LIMIT, HI PRESS. SWITCH, COMP 1, 2
BB02/03	S87, S88	SWITCH, LOW PRESS., COMP. 1, 2
AA05	T1	TRANSFORMER, CONTROL
BB05	T43	TRANSFORMER, REHEAT
AA07	TB13	TERMINAL STRIP, POWER DISTRIBUTION

**WARNING**  
DISCONNECT ALL POWER BEFORE SERVICING.  
ELECTRIC SHOCK HAZARD, CAN CAUSE INJURY OR DEATH. UNIT MUST BE GROUNDED IN ACCORDANCE WITH NATIONAL AND LOCAL CODES.  
FOR USE WITH COPPER CONDUCTORS ONLY. REFER TO UNIT RATING PLATE FOR MINIMUM CIRCUIT AMPACITY AND MAXIMUM OVERCURRENT PROTECTION SIZE.  
IF ANY WIRE IN THIS APPLIANCE IS REPLACED, IT MUST BE REPLACED WITH WIRE OF LIKE SIZE, RATING AND INSULATION THICKNESS.

Product: LCT, LGT B Box - J VOLT  
Cooling Diagram with Higher SCCR

Voltage: 575V/3~/60Hz (J)  
Supersedes: XXXXXX-XX Form No: 538177-01 Rev: 0



REV	EC NO.	DATE	BY	APVD	REVISION NOTE
---	CN-010219	07-25-2022	MCF	RXJ	ORIGINATED AT PD&R CARROLLTON, TX.



01

02

03

04

05

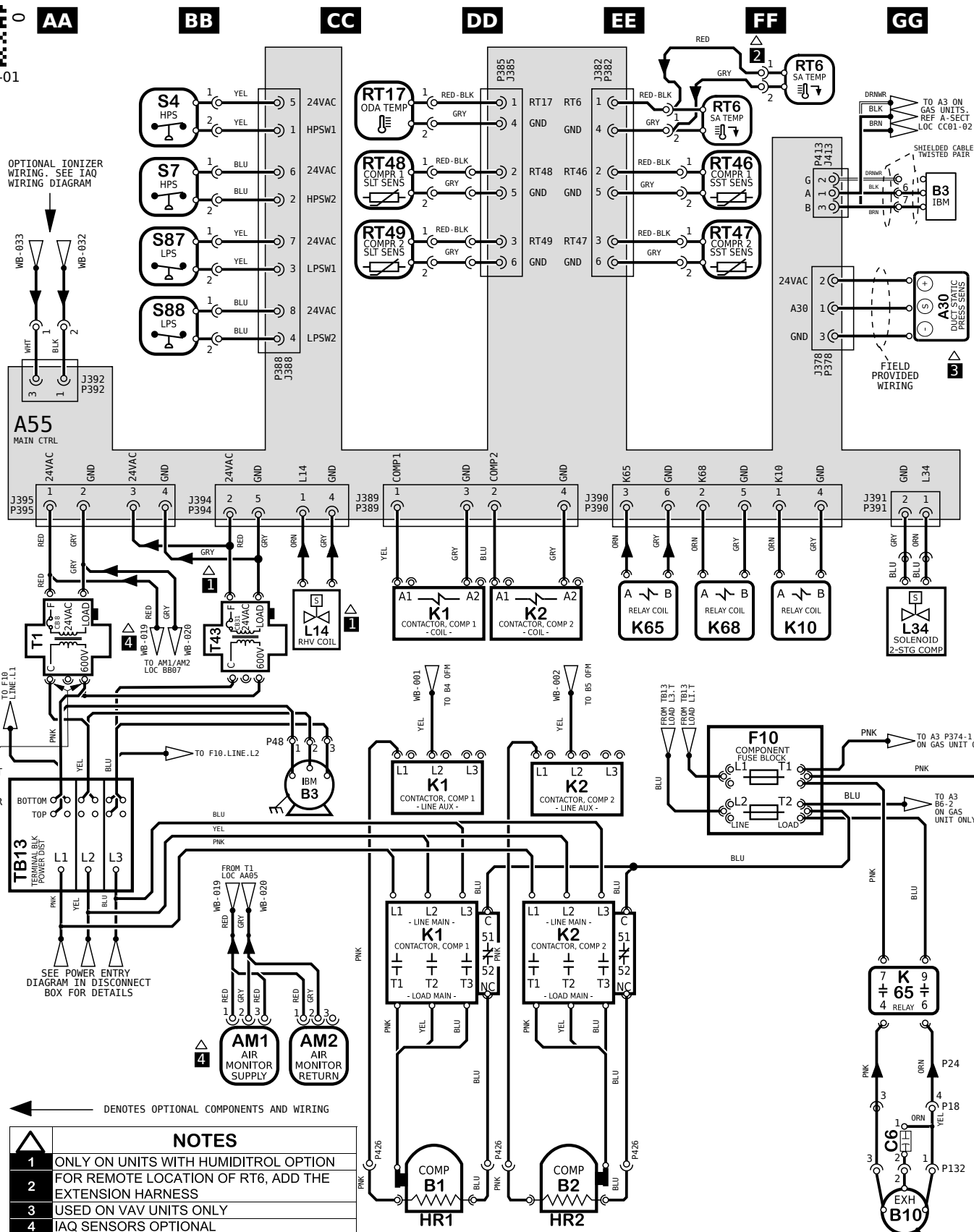
06

07

08

09

10

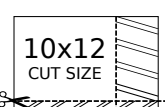
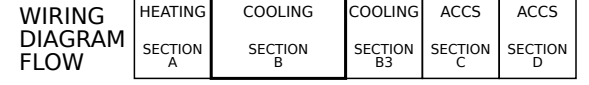


KEY LIST		
LOCATION	COMPONENT DESCRIPTION	
FF05	A30	SENSOR, DUCT STATIC PRESSURE
BB09	AM1, AM2	AIR MONITOR, SUPPLY/RETURN, IAQ-TVOC
DD/EE10	B1, B2	COMPRESSOR 1, 2
CC06, GG01	B3	MOTOR, BLOWER
GG02, HH07	B4, B5	MOTOR, OUTDOOR FAN 1, 2
GG10	B10	MOTOR, EXHAUST FAN 1
HH09, JJ09	C1, C2	CAPACITOR, OUTDOOR FAN 1,2
GG09	C6	CAPACITOR, EXHAUST FAN 1
FF09	F10	FUSE, COMPONENT
DD/EE10	HR1, HR2	HEATER, COMPRESSOR 1, 2
DD/EE05, 06, 08	K1, K2	CONTACTOR, COMPRESSOR 1, 2
FF05, JJ08	K10, K68	RELAY, OUTDOOR FAN 1, 2
EE05, GG08	K65	RELAY, EXHAUST FAN 1
CC05	L14	VALVE, SOLENOID, REHEAT COIL 1
GG03	L34	SOLENOID, TWO STAGE, COMPRESSOR 1
FF01	RT6	SENSOR, A55 DISCHARGE (IMC)
CC01	RT17	SENSOR, OUTSIDE AIR TEMP
FF02	RT46, RT47	SENSOR, SAT. SUCT TEMP., COMP 1, 2
CC02	RT48, RT49	SENSOR, SAT. LIQUID TEMP., COMP 1, 2
BB01/02	S4, S7	LIMIT, HI PRESS. SWITCH, COMP 1, 2
BB02/03	S87, S88	SWITCH, LOW PRESS., COMP. 1, 2
AA05	T1	TRANSFORMER, CONTROL
BB05	T43	TRANSFORMER, REHEAT
AA07	TB13	TERMINAL STRIP, POWER DISTRIBUTION

**WARNING**  
DISCONNECT ALL POWER BEFORE SERVICING.  
ELECTRIC SHOCK HAZARD, CAN CAUSE INJURY OR DEATH. UNIT MUST BE GROUNDED IN ACCORDANCE WITH NATIONAL AND LOCAL CODES.  
FOR USE WITH COPPER CONDUCTORS ONLY. REFER TO UNIT RATING PLATE FOR MINIMUM CIRCUIT AMPACITY AND MAXIMUM OVERCURRENT PROTECTION SIZE.  
IF ANY WIRE IN THIS APPLIANCE IS REPLACED, IT MUST BE REPLACED WITH WIRE OF LIKE SIZE, RATING AND INSULATION THICKNESS.

Product: LCT, LGT B Box - J VOLT  
Cooling Diagram with Higher SCCR

Voltage: 575V/3~/60Hz (J)  
Supersedes: XXXXXX-XX Form No: 538177-01 Rev: 0



REV	EC NO.	DATE	BY	APVD	REVISION NOTE
---	CN-010219	07-25-2022	MCF	RXJ	ORIGINATED AT PD&R CARROLLTON, TX.