



ENLIGHT™ QUICK REFERENCE GUIDE



3- TO 25-TON ENLIGHT™ PACKAGED ROOFTOP PERFORMANCE DATA (ELECTRIC OR GAS HEAT) - HIGH EFFICIENCY

Size (Tons) / Cabinet	3 Ton / A	4 Ton / A	5 Ton / A	6 Ton / A	7.5 Ton / B	8.5 Ton / B	10 Ton / B	12.5 Ton / B	13 Ton / C	15 Ton / C	17.5 Ton / C	20 Ton / C	25 Ton / C
Efficiency	High	High	High	High	High	High	High	High	High	High	High	High	Standard
Model Number	L(C,G)T036H4E	L(C,G)T048H4E	L(C,G)T060H4E	L(C,G)T072H4E	L(C,G)T092H4(E,P)	L(C,G)T102H4(E,P)	L(C,G)T120H4(E,P)	L(C,G)T150H4(E,P)	L(C,G)T156H4(M,V)	L(C,G)T180H4(M,V)	L(C,G)T210H4(M,V)	L(C,G)T240H4(M,V)	L(C,G)T300S4(M,V)
Blower Type	MSAV	MSAV	MSAV	MSAV	MSAV/VAV	MSAV/VAV	MSAV/VAV	MSAV/VAV	MSAV/VAV	MSAV/VAV	MSAV/VAV	MSAV/VAV	MSAV/VAV
Net Cooling Capacity (Btuh)	36,000	49,000	60,000	69,000	90,000	98,000	114,000	136,000	148,000	172,000	200,000	228,000	270,000
Compressor Qty and Type	1 Two-Speed (Scroll)				1 Two-Speed, 1 Fixed-Speed (Scroll)				1 Two-Speed, 1 Fixed-Speed	3 Fixed-Speed (Scroll)	4 Fixed-Speed (Scroll)		
Cooling Stages	2	2	2	2	3	3	3	3	3	4	4	4	4
EER (EER2 - 1ph)	13.5 (13.0)	12.8 (12.1)	12.70 (12.0)	12.2	12.5 E/E; 12.3 G/E	12.3 E/E; 12.1 G/E	12.2 E/E; 12.0 G/E	11.0 E/E; 10.8 G/E	12.0	12.0	12.0	12.0	10.5 E/E, 10.3 G/E
SEER (SEER2 - 1ph)	18.0 (208/230V-3) 17.0 (460V/575V-3) (16.9 - 1ph)	17.6 (208/230V-3) 17.0 (460V/575V-3) (17.3 - 1ph)	17.1 (208/230V-3) 17.0 (460V/575V-3) (16.4 - 1ph)	-	-	-	-	-	-	-	-	-	-
IEER (072-300)	-	-	-	17.0	15.7 MSAV 14.8 (E/E), 14.6 (G/E) VAV	15.7 MSAV 14.8 (E/E), 14.6 (G/E) VAV	15.5 MSAV 14.8 (E/E), 14.6 (G/E) VAV	14.6 MSAV 14.2 (E/E), 14.0 (G/E) VAV	15.7 (E/E), 15.5 (G/E) MSAV 15.2 (E/E), 15.0 (G/E) VAV	15.2 E/E 15.0 G/E	16.0 MSAV 15.5 VAV	15.9 E/E, 15.7 G/E - M 15.4 E/E, 15.2 G/E-V	14.5 MSAV 14.0 VAV
Gas Heat Stages (Up to)	2	2	2	2	2	2	2	2	4	4	4	4	4
Electric Heat Sizes (kW)	7.5, 15		7.5, 15, 22.5	7.5, 15, 22.5, 30	7.5, 15, 22.5, 30, 45			15, 22.5, 30, 45, 60		15, 30, 45, 60		15, 30, 45, 60, 90	
Blower Motor Size (HP)	0.5 or 1.5	1.0 or 1.5	1.0 or 1.5	1.5	3.75				3, 5	3, 5, 7.5	3, 5, 7.5	5, 7.5, 10	5, 7.5, 10
Approx. Base Unit Weight (lbs.) G/E	630	629	630	630	1168	1175	1210	1226	2014	2128	2569	2601	2651
Approx. Base Unit Weight (lbs.) E/E	594	593	594	594	1120	1127	1162	1178	1864	1978	2424	2456	2506
Cabinet Size - H x W x L (in.)	47 x 47 x 86				47 x 61 x 102				55 x 92 x 104	55 x 92 x 133			
Filters (Qty) - Size (in.)	(4) 20 x 20 x 2				(4) 20 x 25 x 2				(6) 24 x 24 x 2				
Sound (dBA)	75	75	82	82	88	88	89	89	86	93	94	94	94

2- TO 20-TON ENLIGHT™ PACKAGED ROOFTOP PERFORMANCE DATA (HEAT PUMP OR DUAL FUEL) - HIGH EFFICIENCY

Size (Tons) / Cabinet	2 Ton / A	3 Ton / A	4 Ton / A	5 Ton / A	6.5 Ton / B	7.5 Ton / B	8.5 Ton / B	10 Ton / B+	12.5 Ton / B+	13 Ton / C	15 Ton / C	20 Ton / C	
Efficiency	High	High	High	High	High	High	High	High	High	High	High	High	
Model Number	L(H,D)T024H4E	L(H,D)T036H4E	L(H,D)T048H4E	L(H,D)T060H4E	L(H,D)T078H4E	L(H,D)T092H4E	L(H,D)T102H4E	L(H,D)T122H4E	L(H,D)T150H4E	L(H,D)T156H4M	L(H,D)T180H4M	L(H,D)T240H4M	
Blower Type	MSAV	MSAV	MSAV	MSAV	MSAV	MSAV	MSAV	MSAV	MSAV	MSAV	MSAV	MSAV	
Net Cooling Capacity (Btuh)	23,600	35,000	44,500	55,000	78,000	90,000	98,000	118,000	136,000	148,000	176,000	224,000	
Compressor Qty and Type	1 Two-Speed (Scroll)				1 Two-Speed, 1 Fixed-Speed (Scroll)				1 Two-Speed, 1 Fixed-Speed (Scroll)				
Cooling Stages	2	2	2	2	3	3	3	3	3	3	3	3	
EER (EER2 - 1ph)	(11.4)	12.3 (11.4)	12.8 (12.0)	12.2 (11.4)	12.4 HP; 12.2 DF	12.1 HP; 11.9 DF	12.1 HP; 11.9 DF	12.1 HP; 11.9 DF	11.0 HP; 10.8 DF	12.1 HP; 11.9 DF	11.1 HP; 10.9 DF	11.1 HP; 10.9 DF	
SEER (SEER2 - 1ph)	(15.4)	16.1 (15.2)	16.1 (15.6)	16.1 (15.2)	-	-	-	-	-	-	-	-	
IEER (078-240)	-	-	-	-	16.5	16.0	15.5	15.5	14.3	15.5 HP; 15.3 DF	15.5 HP; 15.3 DF	15.5 HP; 15.3 DF	
Net Heating Capacity - 47°F	23,000	35,000	44,000	55,000	73,000	84,000	94,000	114,000	128,000	148,000	174,000 HP	222,000 HP	
HSPF (HSPF2 - 1ph)	(7.3)	8.5 (7.2)	8.5 (7.2)	8.5 (7.2)	-	-	-	-	-	-	-	-	
COP (47F)	N/A	3.8	3.9	3.7	3.5	3.5	3.5	3.5 HP, 3.45 DF	3.35	3.4	3.4	3.4	
Gas Heat Stages (Up to)	2	2	2	2	2	2	2	2	2	4	4	4	
Electric Heat Sizes (kW)	5, 7.5, 10	7.5, 15		7.5, 15, 22.5	7.5, 15, 22.5, 30	7.5, 15, 22.5, 30, 45			15, 22.5, 30, 45, 60		15, 30, 45, 60		
Blower Motor Size (HP)	0.5	0.5 or 1.5	1.0 or 1.5	1.0 or 1.5	3.75				3, 5	3, 5, 7.5	5, 7.5, 10		
Approx. Base Unit Weight (lbs.) DF	675	645	670	715	1121	1121	1123	1264	1264	2348	2376	2418	
Approx. Base Unit Weight (lbs.) HP	646	645	641	686	1073	1073	1075	1216	1216	2198	2226	2268	
Cabinet Size - H x W x L (in.)	47 x 47 x 86				47 x 61 x 102				47 x 61 x 125		55 x 92 x 133		
Filters (Qty) - Size (in.)	(4) 20 x 20 x 2				(4) 20 x 25 x 2				(6) 24 x 24 x 2				
Sound (dBA)	75	75	75	82	88	88	88	85	85	94	94	94	

ENLIGHT™ QUICK REFERENCE GUIDE



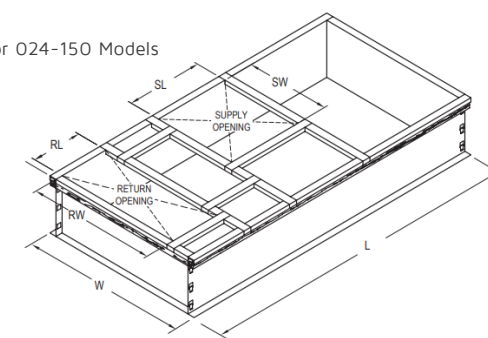
FACTORY- AND FIELD-INSTALLED OPTIONS

OPTION	FACTORY	FIELD	OPTION	FACTORY	FIELD
COOLING			DEHUMIDIFICATION		
Refrigerant Type (R-410A)	•		Humiditrol® Hot-Gas Reheat Dehumidification System*	•	
Drain Pan Overflow Switch	•	•	INDOOR AIR QUALITY		
Condensate Drain Trap (PVC)	•	•	MERV 8 Filters	•	•
Condensate Drain Trap (Copper)		•	MERV 13 Filters	•	•
BLOWER			MERV 16 Filters		•
Direct Drive ECM Blower - MSAV® (2-12.5 Tons)	•		IAQ Sensor (Return and Supply)	•	
Belt Drive Blower with VFD - MSAV® (13-25 Tons)	•		Needlepoint Bipolar Ionization (NPBI)		•
Belt-Auto Tensioner (13-25 Tons)		•	UVC Germicidal Light Kit		•
Variable Air Volume (VAV)* (7.5-25 Tons)	•		Replacement Media Filter With Metal Mesh		•
HEATING			Demand Control Ventilation - IAQ (CO2) Sensors		•
Electric Heat	•	•	ELECTRICAL		
Gas Heating	•		Voltage 60 Hz	•	
Stainless Steel Heat Exchanger	•		HACR Circuit Breakers	•	
Bottom Gas Piping Kit		•	Disconnect Switch	•	•
Combustion Air Intake Extensions		•	SCCR up to 100kA	•	
Low-Temperature Vestibule Heater		•	GFI Service Outlets (Unit-Powered, Factory-Wired)	•	
LPG/Propane Conversion Kits		•	GFI Service Outlets (Field Wired)	•	•
Vertical Vent Extension		•	Weatherproof Cover For GFI		•
CONTROLS			OUTDOOR AIR		
Lennox® CORE Control System	Standard		High Performance Economizer - (AMCA Class 1A Certified)	•	•
BACnet® IP & MS/ TP	Standard		Economizer Controls - Single and/or Differential Enthalpy	•	•
Commercial Controls - Novar LSE	•		Economizer Controls - Sensible	•	•
Blowing Proving Switch	•	•	Downflow Barometric Relief Dampers	•	•
Dirty Filter Switch	•	•	Horizontal Barometric Relief Dampers		•
Fresh Air Tempering	•	•	Manual Outdoor Air Dampers		•
Smoke Detector Supply and/or Return	•	•	Motorized Outdoor Air Dampers	•	•
Interoperability via BACnet® or LonTalk® Protocols	•	•	Power Exhaust Fan Standard Static	•	•
After-Market DDC and/or Thermostats		•	ROOF CURBS/CEILING DIFFUSERS		
Outdoor Air CFM Control		•	Roof Curbs - Hybrid		•
CABINET			Roof Curbs - Standard, Adjustable		•
Combination Coil/Hail Guards	•	•	Insulation Kit - Standard		•
Corrosion Protection (indoor coil/outdoor coil/HGRH coil)	•		Transition Curb		•
Hinged Access Panels	Standard		Ceiling Diffusers		•

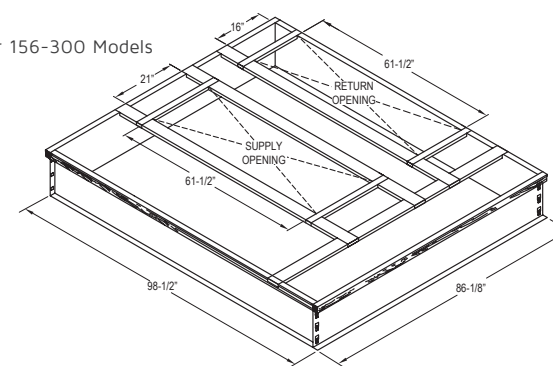
*Only Available on G/E, E/E units

Tonnage	LENGTH	WIDTH	SUPPLY AIR		RETURN AIR	
	L	W	SL	SW	RL	RW
024 TO 072 (A)	79-3/4	41-1/2	19-1/8	21-1/8	12-5/8	32
078 TO 150 (B)	95-3/8	54-1/4	29-3/4	21-3/4	26-3/4	29-3/4
156 TO 300 (C)	86-1/8	98-1/2	21	61-1/2	16	61-1/2

For 024-150 Models



For 156-300 Models



Note - Due to Lennox' ongoing commitment to quality, all specifications, ratings and dimensions are subject to change without notice.

Visit us at www.lennox.com
For the latest technical information, www.lennoxcommercial.com
Contact us at 1-800-4-LENNOX

©2023 Lennox Industries, Inc.

LC1099 1/23

