



# INSTALL INSTRUCTIONS FOR CONSOLIDATED COIL/HAIL GUARD TO SUIT LENNOX CAT # 24M81

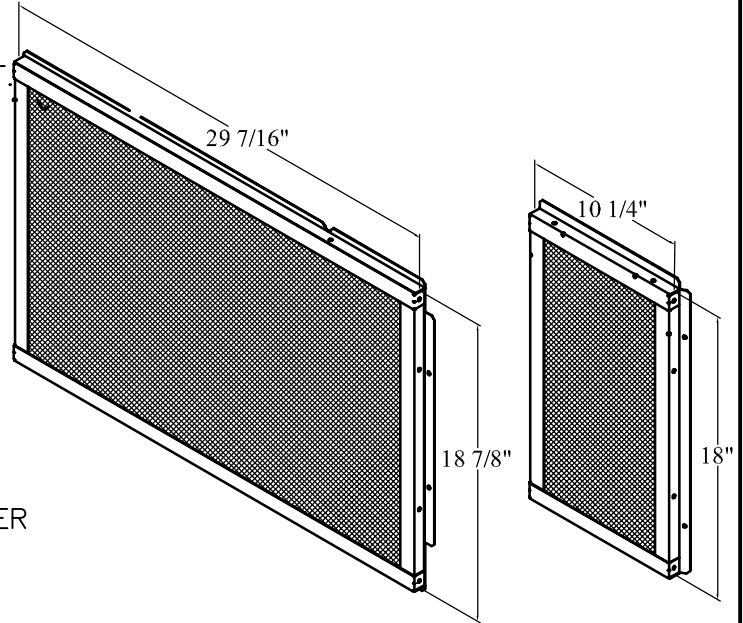
## ⚠ CAUTION

WHEN INSTALLING COIL GUARD BE SURE  
NOT TO PUNCTURE CONDENSER COIL

1. THE 24M81 COIL GUARDS ARE DESIGNED TO PROTECT THE CONDENSER COIL OF THE HVAC UNIT. THE FOLLOWING ARE INCLUDED:—

SHIPPING AND PACKING LIST

- 1- SIDE GUARD
- 1- BACK GUARD
- 1- HARDWARE BAG W/
  - 1-INSTRUCTIONS
  - 8-#10-1/2" SCREWS (SELF TAPPING)



BACK GUARD-1 PC.

SIDE GUARD-1 PC.

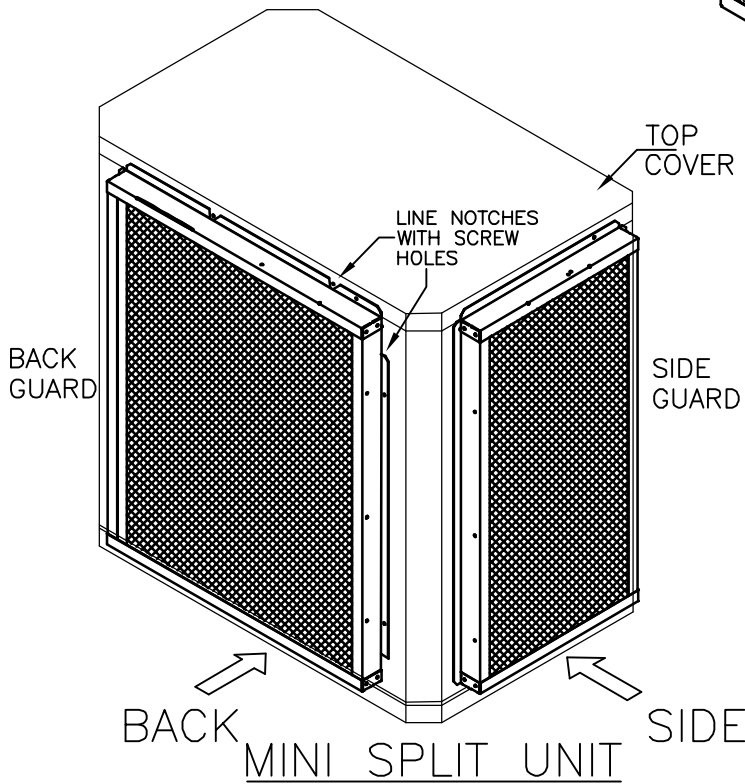


FIG. 1

**NOTE:- BE CAREFUL NOT TO DAMAGE THE COIL WHILE INSTALLING THE GUARDS.  
THE SELF DRILLING SCREWS PROVIDED CAN BE USED ON THE SIDES WITHOUT MATCHING HOLES IN THE UNIT.  
DO NOT REMOVE WIRE FAN GUARD. LEAVE IT ON THE UNIT.**

5000410 LCG24M81  
MARCH 08 / 23



# INSTALL INSTRUCTIONS FOR CONSOLIDATED COIL/HAIL GUARD TO SUIT LENNOX CAT # 24M81

## \*\*\*\*INSTALLATION PROCEDURE\*\*\*\*

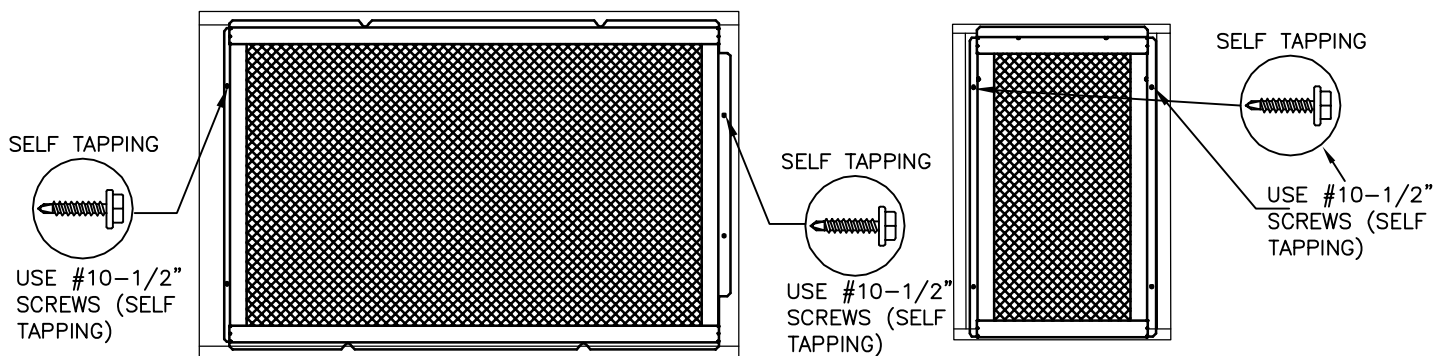
1. DISCONNECT ALL POWER SOURCES TO THE UNIT.

### 3. BACK GUARD INSTALLATION:-

-LOCATE THE NOTCHES ON THE TOP AND SIDE FLANGES AND LINE UP WITH BACK SIDE. TO HOLD THE GUARD, USE #10X $\frac{1}{2}$ " SELF TAPPING SCREWS (PROVIDED WITH PACKAGE).

### 4. SIDE GUARD INSTALLATION:-

- SECURE LEFT AND RIGHT SIDE FLANGES ONTO THE UNIT BY SECURING THEM WITH #10X $\frac{1}{2}$ " SELF TAPPING SCREWS (PROVIDED WITH PACKAGE).



BACK VIEW

FIG. 2

SIDE VIEW

FIG. 3