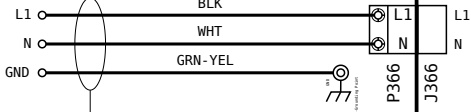




2.0  
538024-02

01

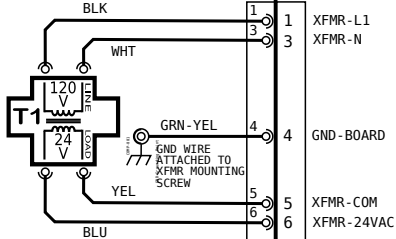
**AA** HIGH VOLTAGE POWER CONNECTIONS



02

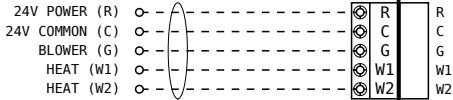
FIELD PROVIDED POWER WIRING. CONNECT TO P366 AND GREEN GROUND SCREW LOCATED INSIDE UNIT.

03



04

LOW VOLTAGE THERMOSTAT CONNECTIONS



05



FIELD PROVIDED CLASS II 24VAC THERMOSTAT WIRING

SET THERMOSTAT HEAT ANTICIPATION AS FOLLOWS  
HONEYWELL VALVE: .7  
WHITE ROGERS VALVE: .5

**WARNING**

DISCONNECT ALL POWER BEFORE SERVICING. ELECTRIC SHOCK HAZARD, CAN CAUSE INJURY OR DEATH. UNIT MUST BE GROUNDED IN ACCORDANCE WITH NATIONAL AND LOCAL CODES.

FOR USE WITH COPPER CONDUCTORS ONLY. REFER TO UNIT RATING PLATE FOR MINIMUM CIRCUIT AMPACITY AND MAXIMUM OVERCURRENT PROTECTION SIZE.

IF ANY WIRE IN THIS APPLIANCE IS REPLACED, IT MUST BE REPLACED WITH WIRE OF LIKE SIZE, RATING AND INSULATION THICKNESS.

**NOTES**

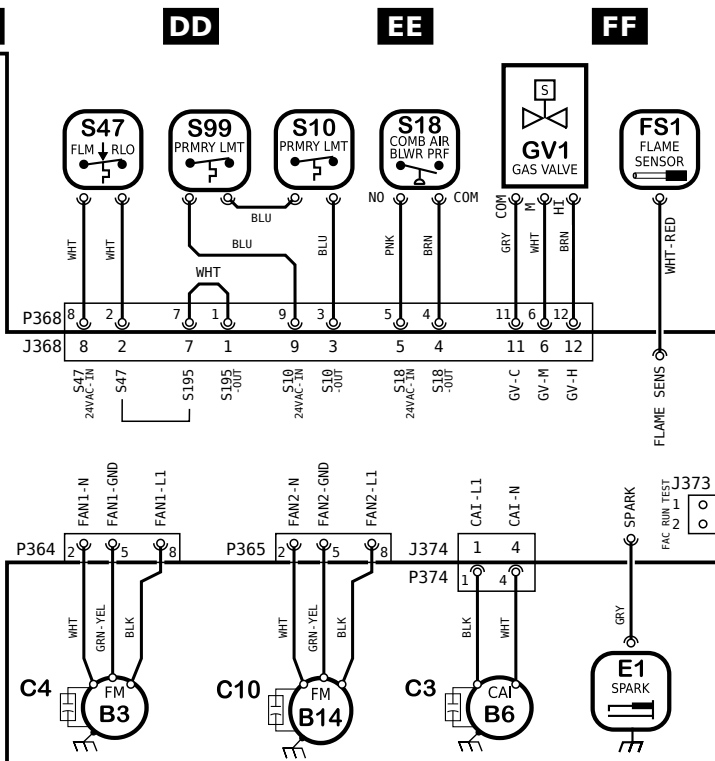
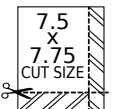
MAXIMUM LOAD NOT TO EXCEED 20VA AT 24VAC, CLASS 2.



08

Model:	LF25 Unit Heater; LS25 Separated Combustion Unit Heater		
Voltage:	120/60/1		
Supersedes:	538024-01	Form No:	538024-02
Rev:	2.0		

REV	EC NO.	DATE	BY	APVD	REVISION NOTE
---	CN-008462	04/27/2020	JDH25	EMP	ORIGINATED AT PD&R CARROLLTON, TX
001	CN-008216E	06/05/2020	JDH25	EMP	SUPERSEDES WAS N/A
002	CN-009314E	04/30/2021	JDH25	EMP	CORRECTED PIN DESCRIPTION, J373 WAS P373



**KEY LIST**

LOCATION	COMPONENT TAG	COMPONENT DESCRIPTION
<b>CONTROL</b>		
CC01	A3	IGN CTRL
<b>POWER</b>		
BB03	T1	TRANSFORMER, CONTROL
<b>INPUT</b>		
FF01	FS1	FLAME SENSOR
DD01	S10	PRMRY LMT
EE01	S18	COMB AIR BLWR PRF
DD01	S47	FLM RLO
DD01	S99	PRMRY LMT
<b>OUTPUT</b>		
DD04	B3	FM
EE04	B6	CAI
DD04	B14	FM
EE04	C3	-
DD04	C4	-
DD04	C10	-
FF04	E1	SPARK
FF01	GV1	GAS VALVE