



01

02

03

04

05

06

07

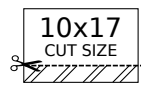
08

09

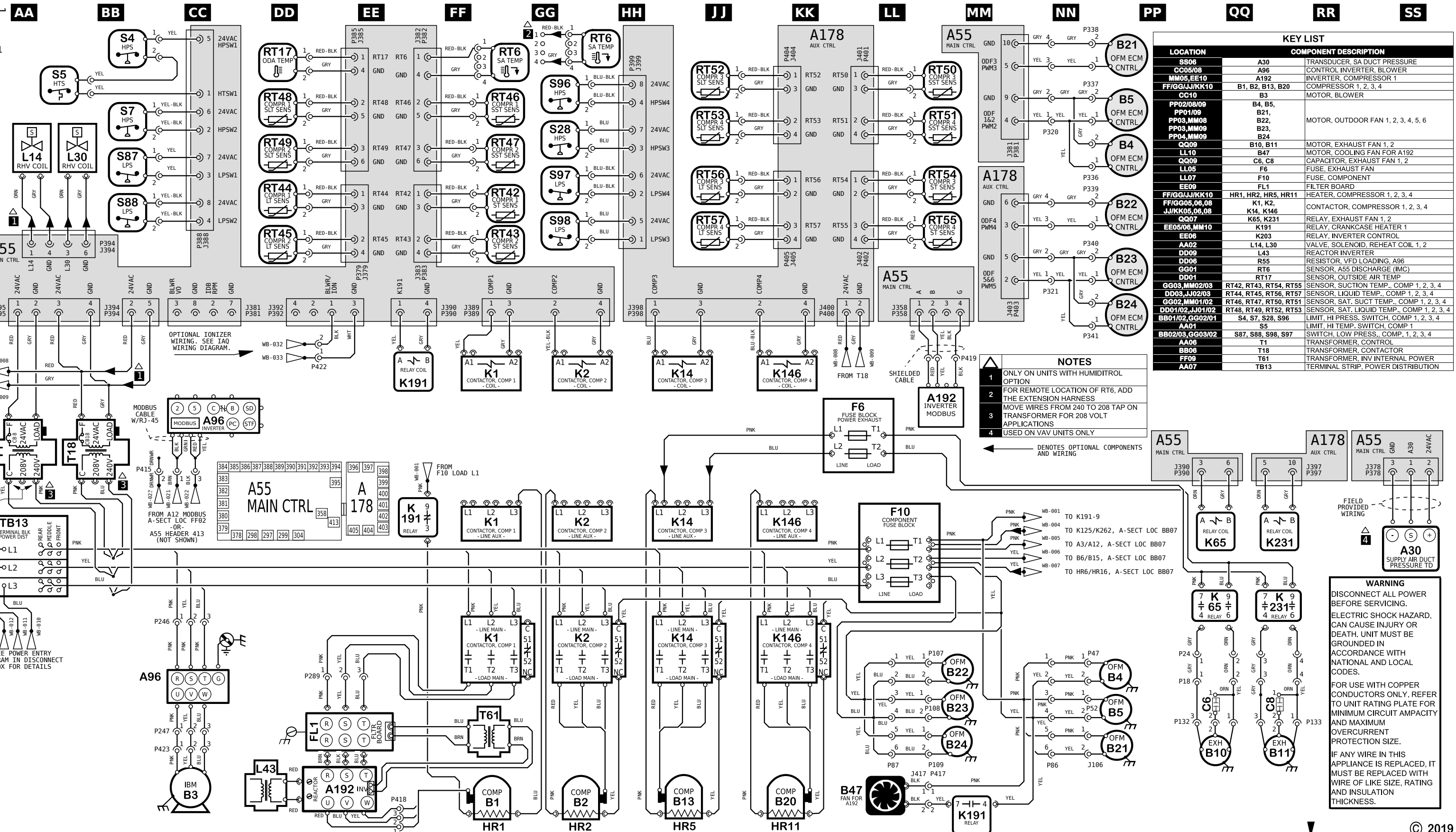
10

Model: LCM, LGM 210U, 240U, 300U - Y-VOLT  
COOLING - MSAV NO BYPASS -OR- VAV - 4 COMPRESSORS, 6 CONDENSER FANS

Voltage: 208-240/3/60 (Y)  
Supersedes: N/A Form No: 538096-01 Rev: 1



REV	EC NO.	DATE	BY	APVD	REVISION NOTE
---	CN-008993P	01-26-2021	MXR6	JAL21	ORIGINATED AT PD&R CARROLLTON, TX
001	CN-008993AE	04-30-2021	MXR6	JAL21	A) MODBUS CABLE COLOR ON P415 BRN WAS BLU, BLK WAS ORN.



KEY LIST	
LOCATION	COMPONENT DESCRIPTION
SS06	A30 TRANSDUCER, SA DUCT PRESSURE
CC05/08	A96 CONTROL INVERTER, BLOWER
MM05, EE10	A192 INVERTER, COMPRESSOR 1
FF/GG/JJ/KK/LL	B1, B2, B13, B20 COMPRESSOR 1, 2, 3, 4
CC10	B3 MOTOR, BLOWER
PP02/08/09	B4, B5, B21, B22, B23, B24 MOTOR, OUTDOOR FAN 1, 2, 3, 4, 5, 6
QQ09	B10, B11 MOTOR, EXHAUST FAN 1, 2
LL10	B47 MOTOR, COOLING FAN FOR A192
QQ09	C6, C8 CAPACITOR, EXHAUST FAN 1, 2
LL05	F6 FUSE, EXHAUST FAN
LL07	F10 FUSE, COMPONENT
EE09	FL1 FILTER BOARD
FF/GG/JJ/KK/LL	HR1, HR2, HR5, HR11 HEATER, COMPRESSOR 1, 2, 3, 4
FF/GG05,06,08	K1, K2, K14, K146 CONTACTOR, COMPRESSOR 1, 2, 3, 4
QQ07	K65, K231 RELAY, EXHAUST FAN 1, 2
EE05/08, MM10	K191 RELAY, CRANKCASE HEATER 1
EE06	K203 RELAY, INVERTER CONTROL
AA02	L14, L30 VALVE, SOLENOID, REHEAT COIL 1, 2
DD09	L43 REACTOR INVERTER
DD06	R55 RESISTOR, VFD LOADING, A96
GG01	RT6 SENSOR, A55 DISCHARGE (IMC)
DD01	RT7 SENSOR, OUTSIDE AIR TEMP
GG03, MM02/03	RT42, RT43, RT54, RT55 SENSOR, SUCTION TEMP., COMP 1, 2, 3, 4
DD03, JJ02/03	RT44, RT45, RT56, RT57 SENSOR, LIQUID TEMP., COMP 1, 2, 3, 4
GG02, MM01/02	RT46, RT47, RT50, RT51 SENSOR, SAT. SUCT TEMP., COMP 1, 2, 3, 4
DD01/02, JJ01/02	RT48, RT49, RT52, RT53 SENSOR, SAT. LIQUID TEMP., COMP 1, 2, 3, 4
BB01/02, GG02/01	S4, S7, S28, S96 LIMIT, HI PRESS. SWITCH, COMP 1, 2, 3, 4
AA01	S5 LIMIT, HI TEMP. SWITCH, COMP 1
BB02/03, GG03/02	S87, S88, S98, S97 SWITCH, LOW PRESS., COMP. 1, 2, 3, 4
AA08	T1 TRANSFORMER, CONTROL
BB08	T18 TRANSFORMER, CONTACTOR
FF09	T61 TRANSFORMER, INV INTERNAL POWER
AA07	TB13 TERMINAL STRIP, POWER DISTRIBUTION

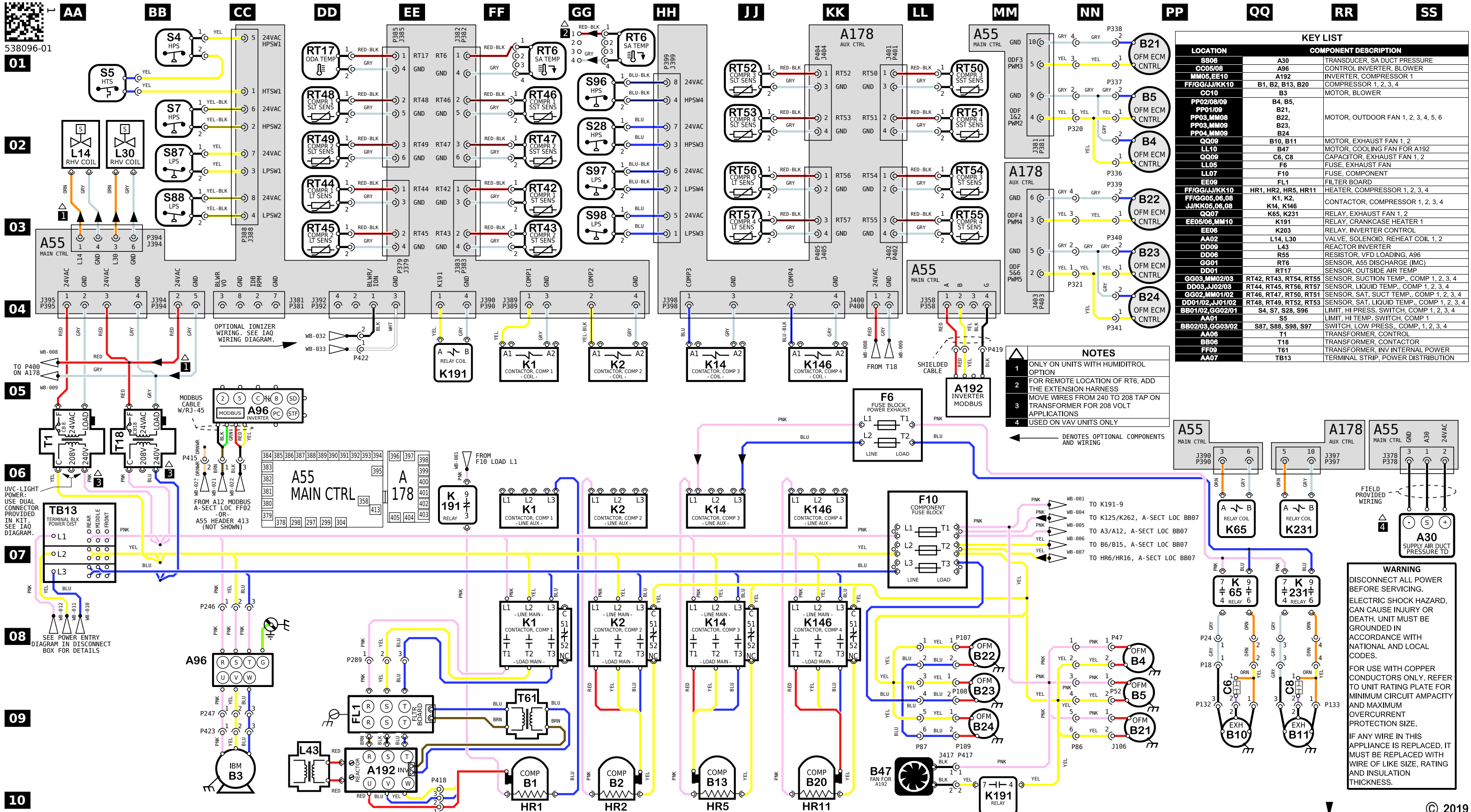
- NOTES**
- 1 ONLY ON UNITS WITH HUMIDITROL OPTION
  - 2 FOR REMOTE LOCATION OF RT6, ADD THE EXTENSION HARNESS
  - 3 MOVE WIRES FROM 240 TO 208 TAP ON TRANSFORMER FOR 208 VOLT APPLICATIONS
  - 4 USED ON VAV UNITS ONLY
- ← DENOTES OPTIONAL COMPONENTS AND WIRING

**WARNING**  
DISCONNECT ALL POWER BEFORE SERVICING.  
ELECTRIC SHOCK HAZARD. CAN CAUSE INJURY OR DEATH. UNIT MUST BE GROUNDED IN ACCORDANCE WITH NATIONAL AND LOCAL CODES.  
FOR USE WITH COPPER CONDUCTORS ONLY. REFER TO UNIT RATING PLATE FOR MINIMUM CIRCUIT AMPACITY AND MAXIMUM OVERCURRENT PROTECTION SIZE.  
IF ANY WIRE IN THIS APPLIANCE IS REPLACED, IT MUST BE REPLACED WITH WIRE OF LIKE SIZE, RATING AND INSULATION THICKNESS.

© 2019

HEATING SECTION A	COOLING SECTION B	COOLING SECTION B3	ACCS SECTION C	ACCS SECTION D
-------------------	-------------------	--------------------	----------------	----------------

WIRING DIAGRAM FLOW

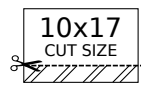
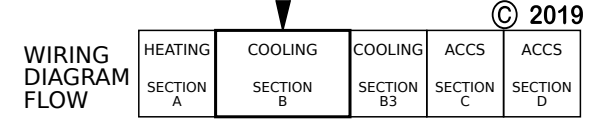


KEY LIST		
LOCATION	COMPONENT DESCRIPTION	
SS06	A30	TRANSUCER, SA DUCT PRESSURE
CC05/08	A96	CONTROL INVERTER, BLOWER
MM05, EE10	A192	INVERTER, COMPRESSOR 1
FF/GG/JJ/KK10	B1, B2, B13, B20	COMPRESSOR 1, 2, 3, 4
CC10	B3	MOTOR, BLOWER
PP02/08/09	B4, B5,	MOTOR, OUTDOOR FAN 1, 2, 3, 4, 5, 6
PP01/09	B21,	
PP03, MM08	B22,	
PP03, MM09	B23,	
PP04, MM09	B24	
QQ09	B10, B11	MOTOR, EXHAUST FAN 1, 2
LL10	B47	MOTOR, COOLING FAN FOR A192
QQ09	C6, C8	CAPACITOR, EXHAUST FAN 1, 2
LL05	F6	FUSE, EXHAUST FAN
LL07	F10	FUSE, COMPONENT
EE09	FL1	FILTER BOARD
FF/GG/JJ/KK10	HR1, HR2, HR5, HR11	HEATER, COMPRESSOR 1, 2, 3, 4
FF/GG05,06,08	K1, K2,	CONTACTOR, COMPRESSOR 1, 2, 3, 4
JJ/KK05,06,08	K14, K146	
QQ07	K65, K231	RELAY, EXHAUST FAN 1, 2
EE05/08, MM10	K191	RELAY, CRANKCASE HEATER 1
EE06	K203	RELAY, INVERTER CONTROL
AA02	L14, L30	VALVE, SOLENOID, REHEAT COIL 1, 2
DD09	L43	REACTOR INVERTER
DD06	R55	RESISTOR, VFD LOADING, A96
GG01	RT6	SENSOR, A55 DISCHARGE (IMC)
DD01	RT7	SENSOR, OUTSIDE AIR TEMP
GG03, MM02/03	RT42, RT43, RT54, RT55	SENSOR, SUCTION TEMP., COMP 1, 2, 3, 4
DD03, JJ02/03	RT44, RT45, RT56, RT57	SENSOR, LIQUID TEMP., COMP 1, 2, 3, 4
GG02, MM01/02	RT46, RT47, RT50, RT51	SENSOR, SAT. SUCT TEMP., COMP 1, 2, 3, 4
DD01/02, JJ01/02	RT48, RT49, RT52, RT53	SENSOR, SAT. LIQUID TEMP., COMP 1, 2, 3, 4
BB01/02, GG02/01	S4, S7, S28, S96	LIMIT, HI PRESS. SWITCH, COMP 1, 2, 3, 4
AA01	S5	LIMIT, HI TEMP. SWITCH, COMP 1
BB02/03, GG03/02	S87, S88, S98, S97	SWITCH, LOW PRESS., COMP. 1, 2, 3, 4
AA08	T1	TRANSFORMER, CONTROL
BB08	T18	TRANSFORMER, CONTACTOR
FF09	T61	TRANSFORMER, INV INTERNAL POWER
AA07	TB13	TERMINAL STRIP, POWER DISTRIBUTION

- NOTES**
- 1 ONLY ON UNITS WITH HUMIDITROL OPTION
  - 2 FOR REMOTE LOCATION OF RT6, ADD THE EXTENSION HARNESS
  - 3 MOVE WIRES FROM 240 TO 208 TAP ON TRANSFORMER FOR 208 VOLT APPLICATIONS
  - 4 USED ON VAV UNITS ONLY

Model: LCM, LGM 210U, 240U, 300U - Y-VOLT Voltage: 208-240/3/60 (Y) Supersedes: N/A Form No: 538096-01 Rev: 1

COOLING - MSAV NO BYPASS -OR- VAV - 4 COMPRESSORS, 6 CONDENSER FANS



REV	EC NO.	DATE	BY	APVD	REVISION NOTE
---	CN-008993P	01-26-2021	MXR6	JAL21	ORIGINATED AT PD&R CARROLLTON, TX
001	CN-008993AE	04-30-2021	MXR6	JAL21	A) MODBUS CABLE COLOR ON P415 BRN WAS BLU, BLK WAS ORN.

© 2019