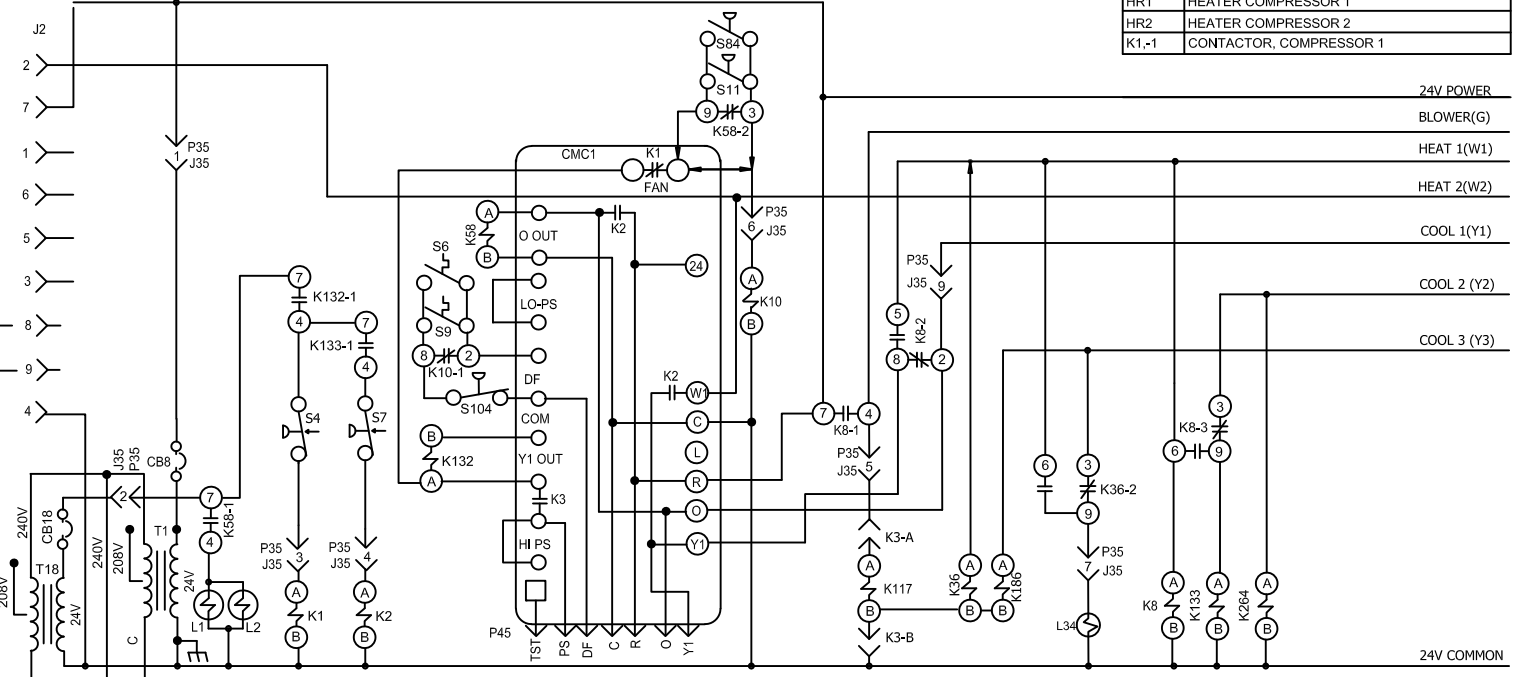


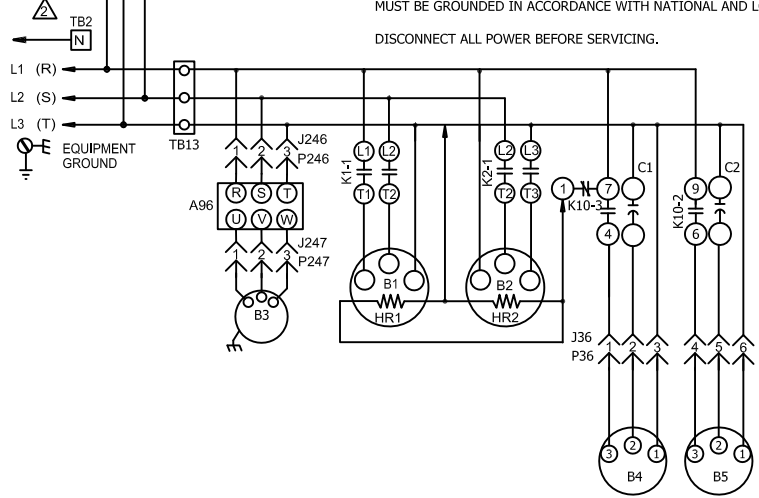
KEY	COMPONENT
A96	CONTROL, INVERTER
B1	COMPRESSOR 1
B2	COMPRESSOR 2
B3	MOTOR, BLOWER
B4	MOTOR, OUTDOOR FAN 1
B5	MOTOR, OUTDOOR FAN 2
C1	CAPACITOR, OUTDOOR FAN 1
C2	CAPACITOR, OUTDOOR FAN 2
CMC1	TIMER, DEFROST
HR1	HEATER COMPRESSOR 1
HR2	HEATER COMPRESSOR 2
K1-1	CONTACTOR, COMPRESSOR 1



NOTE - IF ANY WIRE IN THIS APPLIANCE IS REPLACED IT MUST BE REPLACED WITH WIRE OF LIKE SIZE, RATING, TERMINATION AND INSULATION THICKNESS

WARNING - ELECTRIC SHOCK HAZARD, CAN CAUSE INJURY OR DEATH. UNIT MUST BE GROUNDED IN ACCORDANCE WITH NATIONAL AND LOCAL CODES.

DISCONNECT ALL POWER BEFORE SERVICING.



24V POWER
BLOWER(G)
HEAT 1(W1)
HEAT 2(W2)
COOL 1(Y1)
COOL 2 (Y2)
COOL 3 (Y3)
24V COMMON

K2,-1	CONTACTOR, COMPRESSOR 2
K8,-1,2,3	RELAY, DEFROST
K10,-1,2,3	RELAY, OUTDOOR FAN
K36,-1,2	RELAY, HEAT BLOWER, HIGH SPEED
K58,-1,2	RELAY, REVERSING VALVE
K117	RELAY, BLOWER CONTROL
K132,-1	RELAY, COMPRESSOR 1 ON
K133,-1	RELAY, COMPRESSOR 2 ON
K186	RELAY, COOL BLOWER, HIGH SPEED
K264	RELAY, COOL BLOWER, MEDIUM/LOW SPEED
L1	VALVE, REVERSING 1
L2	VALVE, REVERSING 2
L34	SOLENOID, COMPRESSOR 1
S4	SWITCH, LIMIT HI PRESS COMP 1
S6	SWITCH, DEFROST COMPR 1
S7	SWITCH, LIMIT HI PRESS COMP 2
S9	SWITCH, DEFROST COMPRESSOR 2
S11	SWITCH, LOW PRESS. LOW AMBIENT KIT
S84	SWITCH, LOW PRESS. LOW AMBIENT KIT, COMP 2
S104	SWITCH, DEFROST PRESS., COMP 2
T1	TRANSFORMER, CONTROL
T18	TRANSFORMER
TB2	TERMINAL STRIP, UNIT
TB13	TERMINAL STRIP, POWER DISTRIBUTION

J/P	JACK/PLUG DESCRIPTION
2	HEAT
35	TEST HEAT
36	TEST COOL
172	JACK, G BLOWER
246	POWER TO VFD
247	VFD TO MTR
248	VFC CONTROL

⚠ NOTE - FOR USE WITH COPPER CONDUCTORS ONLY. REFER TO UNIT RATING PLATE FOR MINIMUM CIRCUIT AMPACITY AND MAXIMUM OVERCURRENT PROTECTION SIZE.

⚡ TB2 IS USED ON "M" VOLTAGE UNITS ONLY

Ⓜ MITSUBISHI VFD

← DENOTES OPTIONAL COMPONENTS
— LINE VOLTAGE FIELD INSTALLED

2022/10		WIRING DIAGRAM	10/22
		538304-01	
HEAT PUMP - MSAV			
ZHC - 092, 102, 120, 150 - G, J, Y			
SECTION B			REV. 0
Supersedes 537723-01		New Form No. 538304-01	