

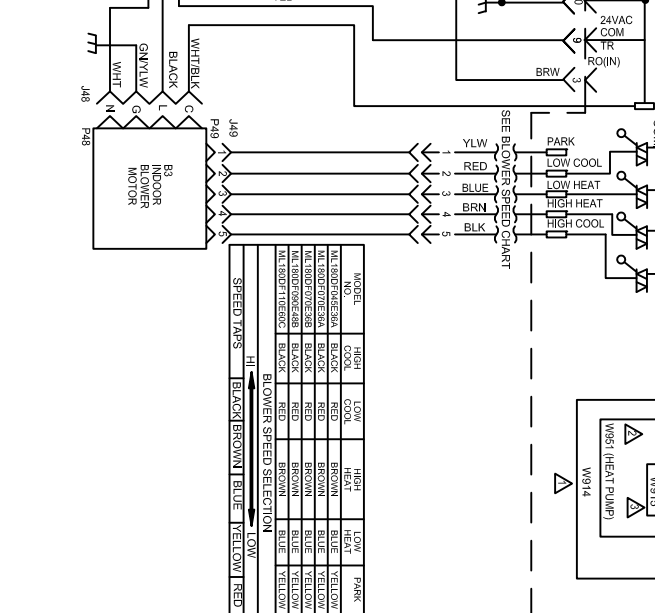
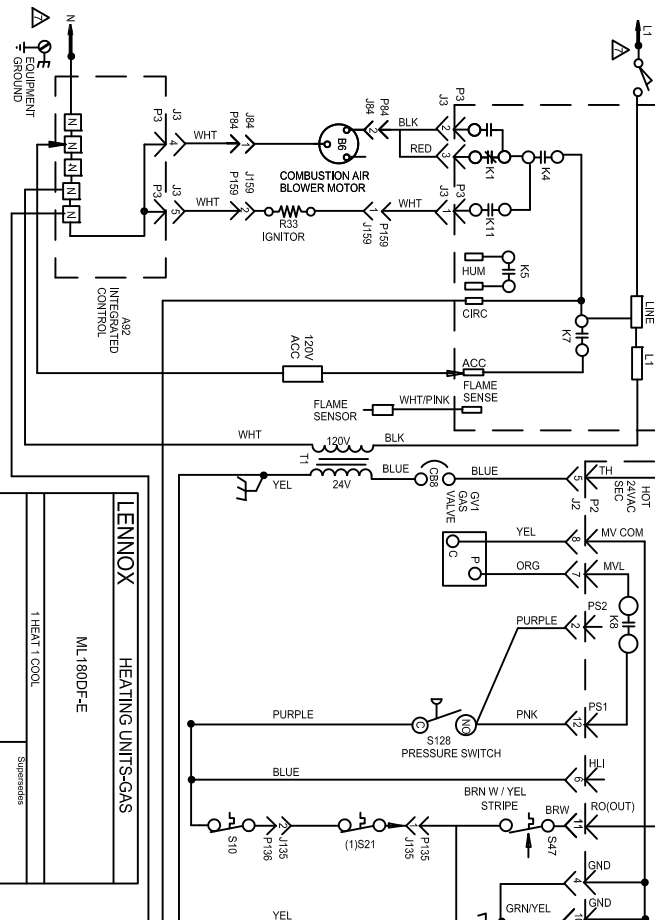
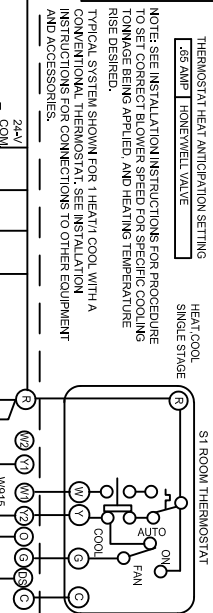
WARNING:
ELECTRIC SHOCK HAZARD CAN CAUSE INJURY
OR DEATH. UNIT MUST BE GROUNDED IN ACCORDANCE
WITH NATIONAL AND LOCAL CODES.

NOTE:
IF ANY WIRE IN THIS APPLIANCE IS REPLACED IT
MUST BE THE SAME TYPE, SIZE, SEQUENCE
RATING, INSULATION THICKNESS, AND TERMINATION

JACKPLUG CHART

J1F48	JACKPLUG-INDOOR BLOWER-POWER
J1F49	JACKPLUG-INDOOR BLOWER-SPEED TAP
J1F2	JACKPLUG-BURNER CONTROL
J1F3	JACKPLUG-INDOOR BURNER
J1F158	JACKPLUG-INSULATION

- △ TO R OR H ON C87000
- △ TO N
- △ TO L1
- △ TO L1
- △ THIS FURNACE IS NOT DESIGNED TO OPERATE IN DEHUMIDIFICATION MODE. THEREFORE, DO NOT CUT W914 JUMPER CONTROL BOARD
- △ CUT W914 JUMPER FROM O TO R, LABELED HEAT PUMP, AT A92 CONTROL BOARD, WHEN USED FOR DUAL FUEL APPLICATIONS
- △ THIS FURNACE IS DESIGNED FOR SINGLE STAGE PUMP APPLICATION ONLY. DO NOT CUT JUMPER W915
- △ THERMOSTAT HEAT ANTICIPATION SETTING
- △ 65 AMP 1" HONEYWELL VALVE
- △ FIELD SUPPLIED ACC WIRE
- △ USE COPPER CONDUCTORS ONLY
- △ DH AND L TERMINALS ARE NOT USED.
- △ L13 USED ON 3/4" AND 1" HP ONLY



SEE BLOWER SPEED CHART

MODE	NO.	HIGH COOL	LOW COOL	LOW HEAT	HIGH HEAT	HIGH COOL	PARK
ML180DF-EBA	1	BLACK	BLACK	RED	BROWN	BLUE	YELLOW
ML180DF-EBA	2	BLACK	BLACK	RED	BROWN	BLUE	YELLOW
ML180DF-EBA	3	BLACK	BLACK	RED	BROWN	BLUE	YELLOW
ML180DF-EBA	4	BLACK	BLACK	RED	BROWN	BLUE	YELLOW
ML180DF-EBA	5	BLACK	BLACK	RED	BROWN	BLUE	YELLOW
ML180DF-EBA	6	BLACK	BLACK	RED	BROWN	BLUE	YELLOW
ML180DF-EBA	7	BLACK	BLACK	RED	BROWN	BLUE	YELLOW
ML180DF-EBA	8	BLACK	BLACK	RED	BROWN	BLUE	YELLOW
ML180DF-EBA	9	BLACK	BLACK	RED	BROWN	BLUE	YELLOW
ML180DF-EBA	10	BLACK	BLACK	RED	BROWN	BLUE	YELLOW

BLOWER SPEED SELECTION

HI → BLACK BROWN BLUE YELLOW RED

LOW

LINE VOLTAGE FIELD WIRING
CLASS II VOLTAGE FIELD WIRING
DENOTES OPTIONAL COMPONENTS

12/20
Form No. 538160-01
Lennox U.S.A.