



**MPC**

**Mini-Split**

**Single Zone Heat Pump Outdoor Units - R-410A - 60 Hz**

**RESIDENTIAL / COMMERCIAL  
PRODUCT SPECIFICATIONS**

Bulletin No. 211038

April 2024

Supersedes all previous versions

MPC048 thru 060 Heat Pump Outdoor Units



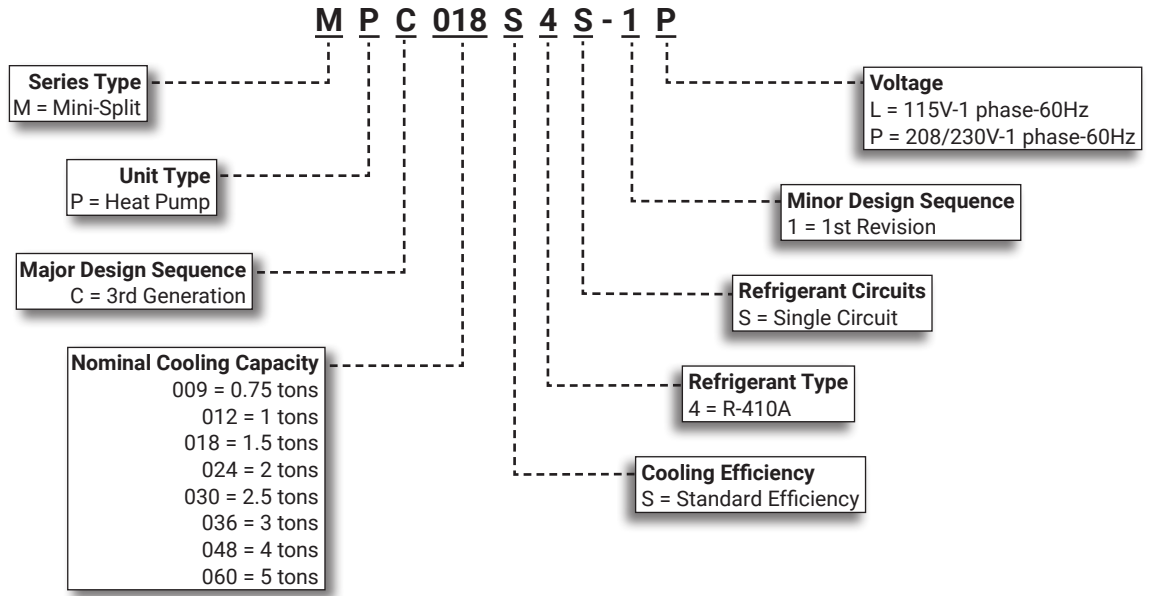
MPC009 thru 036 Heat Pump Outdoor Units



Certain models have earned the ENERGY STAR® mark by meeting strict energy efficiency guidelines set by the US EPA.

**SEER2 - up to 25.5 / SEER - up to 26.5**  
**HSPF2 up to 11.9 / HSPF - up to 13.6**  
**0.75 to 5 Tons**  
**Cooling Capacity - 8,900 to 60,000 Btuh**  
**Heating Capacity - 10,000 to 59,000 Btuh**

## MODEL NUMBER IDENTIFICATION



## CONTENTS

AHRI System Matches . . . . .	13
Approvals And Warranty . . . . .	4
Cooling Capacity . . . . .	14
Dimensions . . . . .	23
Features . . . . .	4
- Indoor Units Overview . . . . .	6
- Outdoor Units . . . . .	4
Heating Capacity . . . . .	14
Installation Clearances . . . . .	27
Line Set And Elevation Guidelines . . . . .	28
Model Number Identification . . . . .	2
Optional Accessories - Order Separately . . . . .	12
Sound Levels - Test Conditions . . . . .	12
Specifications . . . . .	9
- 0.75 Ton   1.5 Ton . . . . .	9
- 2 Ton   2.5 Ton . . . . .	10
- 3 Ton   4 Ton   5 Ton . . . . .	11
System Components . . . . .	3

# SYSTEM COMPONENTS



MMDB Medium Static Ducted Indoor Unit with Wired Remote Controller (furnished)



MWMC Wall-Mounted Non-Ducted Indoor Unit with Wireless Remote (furnished)



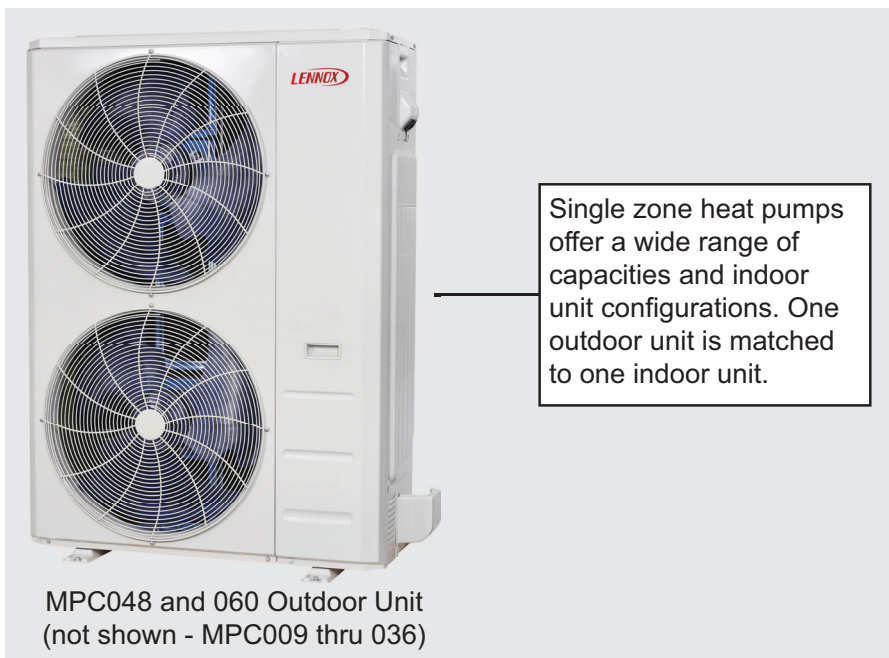
M22A/M33C Cassette Non-Ducted Indoor Unit with Wireless Remote (furnished)



MFMA Floor-Mount Console Non-Ducted Indoor Unit with Wireless Remote (furnished)



MCFA/MCFB Ceiling/Floor-Mount Non-Ducted Indoor Unit with Wireless Remote (furnished)



MPC048 and 060 Outdoor Unit (not shown - MPC009 thru 036)

Single zone heat pumps offer a wide range of capacities and indoor unit configurations. One outdoor unit is matched to one indoor unit.



MMA Multi-Position Air Handler with Wired and Wireless Remote (furnished)

## APPROVALS AND WARRANTY

### APPROVALS

- AHRI Standard 210/240 certified with Addenda 1 and 2
- ENERGY STAR® certified units (certain models) are designed to use less energy, help save money on utility bills, and help protect the environment
- Rated According to U.S. Department of Energy (DOE) test procedures
- Outdoor units and components UL and CEC bonded for grounding to meet safety standards for servicing
- ETL certified for the U.S. and Canada
- Meets 2014 Florida Building Code Wind Design Criteria
  - Ultimate Wind Speed – 186 miles per hour
  - Risk Categories – III and IV
  - Wind Exposures – C and D
  - Mean Roof Heights – Up to 60 feet above ground

### WARRANTY

- Compressor - Limited seven years
- All other covered components
  - Limited five years in all applications
- Accessories and controls - Limited one year

**NOTE** - Refer to Lennox Basic Limited Warranty at [www.Lennox.com](http://www.Lennox.com) for additional details.

## FEATURES

### APPLICATIONS

- 0.75 through 5 ton
- Single phase power supply (115V or 208/230V)
- Sound levels as low as 53 dBA
- Ductless mini-split systems provide a wide range of capacities and applications and provide an alternative when a ducted system is impractical or cost prohibitive
- Units shipped completely factory assembled, internally piped, and wired

**NOTE** - Outdoor unit is designed for outdoor location only.

**NOTE** - it is recommended that Medium Static Ducted Indoor Units not be installed in unconditioned spaces with temperatures above 100°F.

### REFRIGERATION SYSTEM

#### R-410A Refrigerant

- Non-chlorine, ozone friendly
- Unit is factory pre-charged

#### Outdoor Coil

- Aluminum fins fitted to copper tubes
- Wire grille guard provided

#### Outdoor Fan

- Direct drive fan moves large air volumes uniformly through entire outdoor coil for high refrigeration capacity.
- Fan guard provided

## OUTDOOR UNITS

#### Refrigerant Line Connections, Service Valve

- Flare connection lines are located on side of unit cabinet
- Fully serviceable brass service valve prevents corrosion and provides access to refrigerant system

### COMPRESSOR

#### Variable Frequency Rotary Compressor

- Compressor features high efficiency operation
- Balanced for reduced vibration and quiet operation
- Brushless DC motor uses powerful Neodymium magnets, which are approximately 15-20 times stronger than ferrite magnets used in conventional AC compressors

#### Compressor Crankcase Heater

- Protects against liquid refrigerant migration that can occur during low ambient operation

### CONTROLS

#### DC Inverter Control

- Provides continuous operation, while adjusting capacity according to room temperature
- The accurate sensing of cooling loads prevents frequent changes in capacity and ensures efficient, economical operation

#### Inverter Module Protection

- Protects against differences in current, voltage and temperature
- Displays code on the indoor unit indicating a need for servicing

**CONTROLS (continued)****Outdoor Unit Microprocessor**

- Electronic expansion valve control
- Automatic compressor timed-off protection (3 minutes)
- Temperature sensor
- LEDs on control display error codes and assist in troubleshooting
- 4-Way reversing valve control

**Electronic Expansion Valve**

- Furnished on all models

**Compressor Overcurrent Protection**

- Overcurrent protection can result due to any of the following:
  - Ambient temperature is too high
  - Locked rotor on the compressor
  - Outdoor air is blocked or restricted

**Condenser High Temperature Protection**

- Condenser high temperature can occur due to any of the following conditions:
  - High outdoor ambient
  - Outdoor fan blocked
  - Outdoor coil blocked
- The outdoor coil thermistor continuously monitors the temperature and communicates with the microprocessor
- Depending on the temperature measured, the compressor will be allowed to increase the frequency if needed to meet the load or is forced to run at the current or reduced frequency
- If the temperature becomes excessively high the compressor will be de-energized

**Compressor Discharge Temperature Protection**

- The compressor discharge line thermistor continuously monitors the temperature and communicates with the microprocessor
- Depending on the temperature measured, the compressor will be allowed to increase the frequency to meet the load or is forced to run at the current or reduced frequency
- If the temperature becomes excessively high, the compressor will be de-energized

**Voltage Protection**

- Protects unit from low or high voltage fluctuations

**Terminal Strip**

- Furnished for easy wiring connections

**Defrost Control**

- Defrost cycle is automatically enabled if there is a build-up of frost on the outdoor coil
- Outdoor fan operation is terminated during the defrost cycle
- Indoor fan changes to ultra low speed during the defrost cycle to help bring warm refrigerant back to the outdoor coil to assist during defrost operation
- Defrost LED is lit on the indoor unit panel on the front cover during a defrost cycle

**Reversing Valve**

- 4-way interchange reversing valve effects a rapid change in direction of refrigerant flow resulting in quick changeover from cooling to heating and vice versa
- Valve operates on pressure differential between outdoor unit and indoor unit of the system

**CABINET**

- Constructed of heavy gauge steel
- Tabs on unit base allow secure mounting to slab
- Condensate drain outlets furnished on unit base

**NOTE** - Drain must be field furnished.

- Pan heater prevents ice build-up in the bottom of the unit during heating operation
- Access cover for power and control wiring connections
- Access cover for service valves

**WALL-MOUNTED INDOOR UNITS**



- Low-sound, three-speed Wall Mount with LED display
- Swing louver angles to 90°
- Unit installs horizontally on a vertical wall
- Wall plate furnished for installation
- Wireless remote controller furnished

**NOTE** - See the MWM Product Specifications bulletin for more information.

**CASSETTE INDOOR UNITS**



- Cassette unit with LED display
- Low-sound
- Galvanized steel case
- Offers 360° airflow for immediate, equal distribution of wide-range cooling and heating
- 360° Airflow Panel - Allows for even, wide-range cooling and heating
- Wireless remote controller furnished

**NOTE** - The cassette panel must be ordered separately.

**NOTE** - See the M22/M33 Product Specifications bulletin for more information.

**CEILING/FLOOR MOUNT INDOOR UNITS**



- Low-sound, three-speed Ceiling and Floor Mount models with LED display
- Multi-blade fan distributes air vertically and horizontally with a wide angle sweeping motion
- Two installation options are available:
  1. Horizontally against the ceiling
  2. Vertically against the floor/wall
- Wireless remote controller furnished

**NOTE** - See the MCF Product Specifications bulletin for more information.

**FLOOR MOUNT CONSOLE INDOOR UNIT**



- Low-sound, three-speed Floor Mount Console model with LED display
- Multi-blade fan distributes air vertically and horizontally with a wide angle sweeping motion
- Swing louver angles to 90°
- Installed vertically against the floor/wall
- Wireless remote controller furnished

**NOTE** - See the MFM Product Specifications bulletin for more information.

**MEDIUM STATIC DUCTED INDOOR UNITS**



- Slim, compact design for limited space requirements. Installs out of sight between the drop ceiling and ceiling slab with ducted distribution to the indoor space
- Wired remote controller furnished

**NOTE** - See the MMD Product Specifications bulletin for more information.

**MULTI-POSITION AIR HANDLER**



- Constant torque blower motor
- Multi-position cabinet (upflow, downflow, horizontal)
- Completely insulated with foil faced fiberglass insulation
- Low Leakage (less than 2%) Cabinet
- Wired and wireless remote controller furnished

**NOTE** - See the MMA Product Specifications bulletin for more information.

## OPTIONAL ACCESSORIES - ORDER SEPARATELY

### OUTDOOR UNITS

#### Condenser Pad

- Provides permanent foundation for outdoor units
- One-piece lightweight structural foam and molded from high-density polyethylene (HDPE)
- Lightweight, easy to carry and install
- Textured finish provides a non-skid surface so outdoor unit sits securely in one place
- UV stable

#### Disconnects

- Positive unit disconnect
- Single door enclosure
- Fused and non-fused models available

#### Fuses

- 30 and 60 amp fuses available

#### Hail Guards

- Protects outdoor coils on all sides without inhibiting airflow or performance
- Self-tapping screws provided for installation
- Flat shape allows for outdoor units to be placed close together
- Each kit contains all required guards
- Order one hail guard kit per outdoor unit

#### Indoor/Outdoor Wiring Cable

- 14-gauge, 4-conductor wire
- THHN (Thermoplastic High Heat-resistant Nylon-coated) wire
- Suitable for wet or dry locations
- Rated up to 600V

#### Refrigerant Line Sets

- Refrigerant lines are shipped refrigeration clean
- Lines are cleaned, dried, pressurized and sealed at factory

#### Wall Brackets

- Heavy duty 1/8 in. thick steel brackets for supporting outdoor units
- Mount at any height to allow for easy maintenance under units
- Pre-punched holes for easy installation
- Powder coated gray finish
- Load rating 600 lbs. per pair

#### Whips

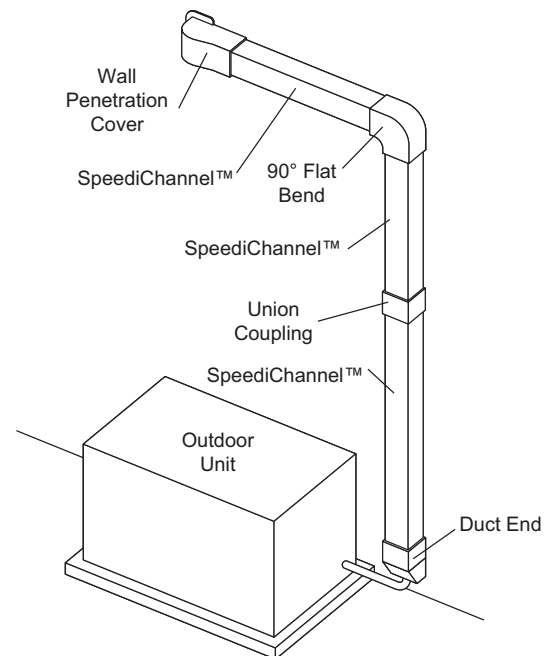
- Heavy duty electrical whips are available in 8 and 10 gauge sizes
- 6 ft. lengths
- Weatherproof metal conduit

### SPEEDICHANNEL™ SYSTEM



- SpeediChannel™ is a channel system covers system line sets
- Two-part system has a base and a cover
- Base is fastened to a wall or ceiling with plastic clips (SpeediClip™) that snap into a channel already molded into the base
- Cover fits on top of the base
- Manufactured from rigid PVC, which is UL rated and resistant to UV light
- System is a natural color that closely matches typical mini-split outdoor units
- Can be painted as desired to match any wall color

#### Typical Application



## OPTIONAL ACCESSORIES - ORDER SEPARATELY

### **SPEEDICHANNEL™ SYSTEM (continued)**

#### **SpeediChannel™ Starter Kit**

- The starter kit includes (1) Coupling, (1) Wall Penetration, (1) Inside Elbow, (1) Long Radius Flat Bend, (10) Speediclips™, (10) 11 in. Cable Ties, and (1) SpeediChannel Instruction Booklet

#### **Duct End**

- Duct Ends are used to terminate a run of SpeediChannel™ to a small opening just large enough for the line set and condensate drain line to pass through



#### **Flat Wall Escutcheon**

- Flat Wall Escutcheons are used to cover a rough opening in a soffit, wall, or ceiling penetration



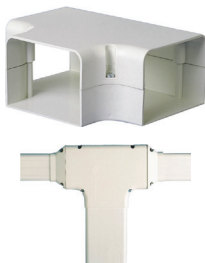
- One side of the escutcheon is flat to allow for a SpeediChannel™ to run along a wall and to penetrate through an adjacent wall or ceiling
- This is the most common type of wall penetration
- Furnished in two parts, the escutcheon easily snaps onto the SpeediChannel™

#### **Flex Joint**

- A Flex Joint is an accordion-style piece of SpeediChannel™
- The flex joint can be extremely flexible when routing a SpeediChannel™ system around an obstacle
- Each joint is 20 in. long and can be combined together for longer flex runs
- The flex joint does not require the use of a union coupling
- The flex joint slides tightly inside the SpeediChannel™ system

#### **T-Joint**

- T-Joints are used for creating a tee connection between three pieces of SpeediChannel™
- Each tee is individually packed and furnished with stainless steel screws



#### **Union Coupling**

- Union Couplings are used for joining two pieces of SpeediChannel™
- Each coupling is individually packed and furnished with stainless steel screws



#### **Wall Penetration Cover**

- Wall penetration covers are used to transition from the SpeediChannel™ system to a through wall penetration
- Wall covers are designed to allow for easy installation, even after the line set has been installed
- A hooking and fastening arrangement allows for quick installation
- Each wall cover is individually packed, and furnished with stainless steel screws to attach the wall cover to the base
- Three screws are necessary to fasten the wall cover to the wall construction, regardless of the type of installed system



#### **45° and 90° Flat Bend Elbows**

- 45° Flat Bends are used to route the SpeediChannel™ around obstacles
- Each bend is individually packed and furnished with stainless steel screws



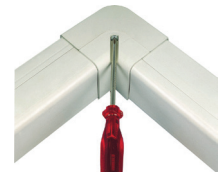
45°



90°

#### **90° Inside Elbow**

- 90° Inside Elbows are used to route the SpeediChannel™ around an inside corner
- Each elbow is individually packed and furnished with stainless steel screws



#### **Mount Block White Qty. (2) 14 in. and (2) 36 in.**

- Mount Blocks are used as mounting bases when outdoor units must be bolted down
- End caps (for aesthetics) come furnished with mounting bolts
- Maximum load capacity is 900 pounds per mounting block
- Installation temperatures range from -4°F to 140°F
- Mount blocks fit all mini-split outdoor units with a sliding rail feature





**SPECIFICATIONS** **0.75 TON | 1.5 TON**

Nominal Size - Tons		0.75	1	1.5	
<b>Outdoor Unit Model No.</b>		<b>MPC009S4S</b>	<b>MPC012S4S</b>	<b>MPC018S4S</b>	
<b>Ambient Temperature Operating Range - °F</b>	Cooling	-13 - 122	-13 - 122	-13 - 122	
	Heating	-13 - 86	-13 - 86	-13 - 86	
<b>Sound Data (dBA)</b>	Cooling/Heating (115V)	---	54	---	
	Cooling/Heating (208/230V)	53	53.5	58	
<b>Refrigerant (R-410A)</b>	Charge furnished (115V)	---	2 lbs. 8 oz.	---	
	Charge furnished (208/230V)	2 lbs. 6 oz.	2 lbs. 6 oz.	3 lbs. 8 oz.	
	Maximum line length with furnished charge - ft.	25	25	25	
	Additional charge required per ft. - oz.	0.16	0.16	0.16	
<b>Compressor</b>	No. and Type	(1) Rotary	(1) Rotary	(1) Rotary	
	Refrigerant oil type	Ester Oil VG74	Ester Oil VG74	Ester Oil VG74	
	Refrigerant oil charge - oz.	10.5	10.5	14.9	
<b>Connections - in.</b>	Liquid/Gas pipe (flare)	1/4 / 3/8	1/4 / 1/2	1/4 / 1/2	
	Maximum refrigerant pipe length - ft.	82	82	98	
	Max. difference in level of indoor unit - ft.	33	33	66	
<b>Outdoor Fan</b>	(No.) Diameter - in.	16-1/2	16-1/2	16-1/2	
	Total air volume - cfm	1295	1295	1765	
	rpm	800	800	810	
<b>Outdoor Coil</b>	Number of rows	2	2	3	
	Fins per inch	21	21	19	
	Fin type	Hydrophilic aluminum			
	Tube outside diameter - in.	5/16	5/16	5/16	
	Tube type	Rifled copper tubing			
	Net face area - ft. <sup>2</sup>	4.04	4.04	5.90	
	Application area - sq. ft.	130 - 195	170 - 250	260 - 375	
<b>Design Pressure</b>	PSIG	550/340	550/340	550/340	
<b>Shipping Data</b>	Net/Shipping weight (lbs.) (115V)	---	67 / 72	---	
	(208/230V)	64 / 69	64 / 69	95 / 102	
<b>ELECTRICAL DATA</b>					
<b>Electrical Characteristics - 60 Hz - 1 Phase</b>		208/230V	115V	208/230V	208/230V
<sup>1</sup> Maximum Overcurrent Protection (MOCP) amps		15	25	15	25
<sup>2</sup> Minimum circuit ampacity (MCA)		13	19	13	17
Compressor Rated load amps		6.4	6.4	6.4	12
<b>Outdoor Fan Motor</b>	Rated load amps	0.4	0.6	0.4	0.76
	Output - W	34	34	34	80

NOTE - Extremes of operating range are plus and minus 10% of line voltage.

<sup>1</sup> HACR type circuit breaker or fuse.

<sup>2</sup> Refer to National or Canadian Electrical Code manual to determine wire, fuse and disconnect size requirements.

**SPECIFICATIONS** **2 TON | 2.5 TON**

Nominal Size - Tons		2	2.5
<b>Outdoor Unit Model No.</b>		<b>MPC024S4S</b>	<b>MPC030S4S</b>
<b>Ambient Temperature Operating Range - °F</b>	Cooling	-13 - 122	-13 - 122
	Heating	-13 - 86	-13 - 86
<b>Sound Data (dBA)</b>	Cooling/Heating	60	61.5
<b>Refrigerant (R-410A)</b>	Charge furnished	5 lbs. 3 oz.	6 lbs. 1 oz.
	Maximum line length with furnished charge - ft.	25	25
	Additional charge required per ft. - oz.	0.32	0.32
<b>Compressor</b>	No. and Type	(1) Rotary	(1) Rotary
	Refrigerant oil type	POE Oil VG74	POE Oil VG74
	Refrigerant oil charge - oz.	21.0	22.7
<b>Connections - in.</b>	Liquid/Gas pipe (flare)	3/8 / 5/8	3/8 / 5/8
	Maximum refrigerant pipe length - ft.	164	164
	Max. difference in level of indoor unit - ft.	82	82
<b>Outdoor Fan(s)</b>	(No.) Diameter - in.	(1) 22	(1) 22
	Total air volume - cfm	2235	2235
	rpm	900	900
<b>Outdoor Coil</b>	Number of rows	2.6	2.6
	Fins per inch	18	18
	Fin type	Hydrophilic aluminum	
	Tube outside diameter - in.	5/16	5/16
	Tube type	Rifled copper tubing	
	Net face area - ft. <sup>2</sup>	8.21	8.22
<b>Design Pressure</b>	PSIG	550/340	550/340
<b>Shipping Data</b>	Net/Shipping weight (lbs.)	125 / 135	142 / 152
<b>ELECTRICAL DATA</b>			
<b>Electrical Characteristics - 60 Hz - 1 Phase</b>		208/230V	208/230V
<sup>1</sup> Maximum Overcurrent Protection (MOCP) amps		30	30
<sup>2</sup> Minimum circuit ampacity (MCA)		22	23
Compressor Rated load amps		13	15
<b>Outdoor Fan Motor</b>	Rated load amps	0.5	0.6
	Output - W	120	120

NOTE - Extremes of operating range are plus and minus 10% of line voltage.

<sup>1</sup> HACR type circuit breaker or fuse.

<sup>2</sup> Refer to National or Canadian Electrical Code manual to determine wire, fuse and disconnect size requirements.

**SPECIFICATIONS** **3 TON | 4 TON | 5 TON**

Nominal Size - Tons		3	4	5
Outdoor Unit Model No.		<b>MPC036S4S</b>	<b>MPC048S4S</b>	<b>MPC060S4S</b>
Ambient Temperature Operating Range - °F	Cooling	-13 - 122	-13 - 122	-13 - 122
	Heating	-13 - 86	-13 - 86	-13 - 86
Sound Data (dBA)	Cooling/Heating	65	63.5	63.5
Refrigerant (R-410A)	Charge furnished	7 lbs. 1 oz.	9 lbs. 15 oz.	10 lbs. 9 oz.
	Maximum line length with furnished charge - ft.	25	25	25
	Additional charge required per ft. - oz.	0.32	0.32	0.32
Compressor	No. and Type	(1) Rotary	(1) Rotary	(1) Rotary
	Refrigerant oil type	POE Oil VG74	POE Oil VG74	POE Oil VG74
	Refrigerant oil charge - oz.	33.8	47.3	47.3
Connections - in.	Liquid/Gas pipe (flare)	3/8 / 5/8	3/8 / 5/8	3/8 / 7/8
	Maximum refrigerant pipe length - ft.	213	213	213
	Max. difference in level of indoor unit - ft.	98	98	98
Outdoor Fan(s)	(No.) Diameter - in.	(1) 22	(2) 22	(2) 22
	Total air volume - cfm	2120	4500	4500
	rpm	1050	900	900
Outdoor Coil	Number of rows	2	2	3
	Fins per inch	18	18	18
	Fin type	Hydrophilic aluminum		
	Tube outside diameter - in.	3/8	3/8	3/8
	Tube type	Rifled copper tubing		
	Net face area - ft. <sup>2</sup>	8.16	13.53	13.36
Design Pressure	PSIG	550/340	550/340	550/340
Shipping Data	Net/Shipping weight (lbs.)	155 / 166	219 / 249	218 / 249
<b>ELECTRICAL DATA</b>				
Electrical Characteristics - 60 Hz - 1 Phase		208/230V	208/230V	208/230V
<sup>1</sup> Maximum Overcurrent Protection (MOCP) amps		45	50	50
<sup>2</sup> Minimum circuit ampacity (MCA)		30	36.6	39
Outdoor Fan Motor	Output - W	120	(2) 85	(2) 85

NOTE - Extremes of operating range are plus and minus 10% of line voltage.

<sup>1</sup> HACR type circuit breaker or fuse.

<sup>2</sup> Refer to National or Canadian Electrical Code manual to determine wire, fuse and disconnect size requirements.

## OPTIONAL ACCESSORIES - ORDER SEPARATELY

Description	Catalog No.	Size								
		009	012	018	024	030	036	048	060	
<b>OUTDOOR UNIT</b>										
Condenser Pad (18 x 38 x 3)	<b>Y5014</b>	•	•	•	•	•	•	•	•	•
Disconnects	30 amp, fused, 1 ph 60 amp, non-fused, 1 ph	<b>27P37</b>	•	•	•	•	•	•	•	•
		<b>27P39</b>	•	•	•	•	•	•	•	•
Fuses	30A 60A	<b>83P75</b>	•	•	•	•	•	•	•	•
		<b>83P77</b>	•	•	•	•	•	•	•	•
Hail Guards (H x W)	(1) 18-7/8 x 27-1/2 in. + (1) 18 x 9-1/8 in. (1) 22-7/8 x 32 in. + (1) 22-1/4 x 11 in. (1) 28-5/8 x 33-1/2 in. + (1) 28-5/8 x 12-7/8 in. (1) 48-5/8 x 29-1/8 + (1) 48-5/8 x 11-1/2 in.	<b>24M82</b>	•	•						
		<b>24M85</b>			•					
		<b>24M84</b>				•	•	•		
		<b>24M83</b>							•	•
Line Sets	1/4 in. x 3/8 in. x 25 ft. 1/4 in. x 3/8 in. x 50 ft. 1/4 in. x 1/2 in. x 25 ft. 1/4 in. x 1/2 in. x 50 ft. 3/8 in. x 5/8 in. x 25 ft. 3/8 in. x 5/8 in. x 50 ft.	<b>90X53</b>	•	N/A						
		<b>X0258</b>	•	N/A						
		<b>90X52</b>	N/A	•	•	N/A				
		<b>X0259</b>	N/A	•	•	N/A				
		<b>X8406</b>		N/A		•	•	•	•	•
		<b>X8407</b>		N/A		•	•	•	•	•
Wall Brackets	30 inch 36 inch	<b>X1727</b>	•	•	•	•	N/A			
		<b>X1728</b>		N/A				•	•	•
Whips	10 Gauge - 1/2 in. x 6 ft. 8 Gauge - 3/4 in. x 6 ft.	<b>29P54</b>	•	•	•	•	•	•	•	•
		<b>27P44</b>	•	•	•	•	•	•	•	•
<b>SPEEDICHANNEL™ SYSTEM</b>										
SpeediChannel™ Starter Kit - 4 in.	<b>Y3387</b>	•	•	•	•	•	•	•	•	•
SpeediChannel - 4 in. x 6-1/2 ft. (qty. 6)	<b>Y3388</b>	•	•	•	•	•	•	•	•	•
Union Coupling - 4 in.	<b>Y3389</b>	•	•	•	•	•	•	•	•	•
90° Flat Bend Elbow - 4 in.	<b>Y3390</b>	•	•	•	•	•	•	•	•	•
90° Inside Elbow - 4 in.	<b>Y3391</b>	•	•	•	•	•	•	•	•	•
45° Flat Bend Elbow - 4 in.	<b>Y3392</b>	•	•	•	•	•	•	•	•	•
Flex Joint - 4 in.	<b>Y3393</b>	•	•	•	•	•	•	•	•	•
T-Joint - 4 in.	<b>Y3394</b>	•	•	•	•	•	•	•	•	•
Duct End - 4 in.	<b>Y3395</b>	•	•	•	•	•	•	•	•	•
Flat Wall Escutcheon - 4 in.	<b>Y3396</b>	•	•	•	•	•	•	•	•	•
Wall Penetration Cover - 4 in.	<b>Y3399</b>	•	•	•	•	•	•	•	•	•
Mount Block (White) Qty, 2 - 14 in.	<b>Y3397</b>	•	•	•	•	•	•	•	•	•
Mount Block (White) Qty, 2 - 36 in.	<b>Y3398</b>	•	•	•	•	•	•	•	•	•

## AHRI SYSTEM MATCHES

Outdoor Unit	Indoor Unit	2017						2023					1 AHRI Reference Number
		Cooling Capacity	SEER	EER	Heat Capacity		HSPF (IV)	Cooling Capacity	SEER2	EER2	High Heat	HSPF2 (IV)	
					High	Low							
MPC009S4S-1P	MWMC006S4-*P	---	---	---	---	---	---	6000	26.5	15.8	7000	13.6	213257710
MPC009S4S-1P	M22A009S4-*P	9000	20	13	10000	7500	10.5	8900	20	13	10000	10	<b>211034434</b>
MPC009S4S-1P	MMDB009S4-*P	9000	21	13.5	10000	7700	11.5	9000	19.2	12.5	10000	10	<b>211034423</b>
MPC009S4S-1P	MWMC009S4-*P	9000	25.5	15	10000	8500	12.2	9000	25.5	15	10000	11.9	<b>211034416</b>
MPC012S4S-1L	MWMC012S4-*L	12000	23	13	12100	8400	11.6	12000	23.5	12.8	12000	10	211034415
MPC012S4S-1P	M22A012S4-*P	12000	22	14	12000	8900	10.6	11800	22.7	13.9	12000	9.9	<b>211034435</b>
MPC012S4S-1P	MFMA012S4-*P	12000	21.5	13	12000	9000	10	12000	22.7	13	12000	10.2	<b>211034429</b>
MPC012S4S-1P	MMDB012S4-*P	12000	21.5	12.5	12000	9300	10.5	11500	18.8	11.7	12000	10.3	<b>211034424</b>
MPC012S4S-1P	MWMC012S4-*P	12000	23.2	13.7	12000	9000	13.2	12000	24.6	13.7	12000	10.7	<b>211034417</b>
MPC018S4S-1P	M22A018S4-*P	16000	20.5	12.5	18500	12000	11	16000	20.5	12.5	19000	10.4	<b>211034436</b>
MPC018S4S-1P	MCFB018S4-*P	18000	21.5	12.5	20000	12800	10.5	18000	23	12.5	20000	9.9	<b>211034430</b>
MPC018S4S-1P	MMA018SM4-*P	---	---	---	---	---	---	18000	17.8	11.7	19000	9.3	<b>212348044</b>
MPC018S4S-1P	MMDB018S4-*P	17800	20.5	12.5	20000	12600	11	17000	20	12.3	20000	10.5	<b>211034425</b>
MPC018S4S-1P	MWMC018S4-*P	18000	22.6	12.5	19000	14900	12	18000	23.5	12.4	19000	10.7	<b>211034418</b>
MPC024S4S-1P	M33C024S4-*P	24000	20.7	12.5	25000	19000	10	23600	21.5	12.3	26000	9.6	<b>211034437</b>
MPC024S4S-1P	MCFA024S4-*P	24000	20	12.5	24000	16000	11.2	24000	21.2	12.5	24000	10.2	<b>211034431</b>
MPC024S4S-1P	MMA024SM4-*P	---	---	---	---	---	---	24000	18.0	11.7	25000	8.1	<b>212348045</b>
MPC024S4S-1P	MMDB024S4-*P	24000	21.5	12.6	24600	20000	11.2	23000	19	12.3	25000	11	<b>211034426</b>
MPC024S4S-1P	MWMC024S4-*P	24000	22	14	25000	16200	12	24000	22	14	25000	9.9	<b>211034419</b>
MPC030S4S-1P	MWMC030S4-*P	29,800	20	11.5	30000	19000	9.6	29600	20	11.4	30000	9.2	211034420
MPC036S4S-1P	M33C036S4-*P	36000	18.2	9	38000	23000	10.6	36000	19.2	9.4	38000	8.7	211034438
MPC036S4S-1P	MCFA036S4-*P	36000	17	8	38000	23000	10	35600	18.8	8.5	38000	9.0	211034432
MPC036S4S-1P	MMA036S4-*P	---	---	---	---	---	---	36000	15.4	8.2	38000	9	212348046
MPC036S4S-1P	MMDB036S4-*P	36000	16.7	9	40000	25000	11.5	36000	15.8	8.8	40000	8.8	211034427
MPC048S4S-1P	M33C048S4-*P	48000	17.8	9.5	50000	30000	11	47000	18.5	9.5	50000	9.8	211034439
MPC048S4S-1P	MCFA048S4-*P	48000	18	9.3	50000	29000	11	48000	18.9	9.1	50000	9.7	211034433
MPC048S4S-1P	MMA048S4-*P	---	---	---	---	---	---	48000	15.3	8.2	55000	9.2	212348047
MPC048S4S-1P	MMDB048S4-*P	48000	17.4	9.2	50000	34000	10.3	48000	15.1	8.4	50000	9.1	211034428
MPC060S4S-1P	MMA060S4-*P	---	---	---	---	---	---	57000	16.0	9.6	60000	8.5	212348048

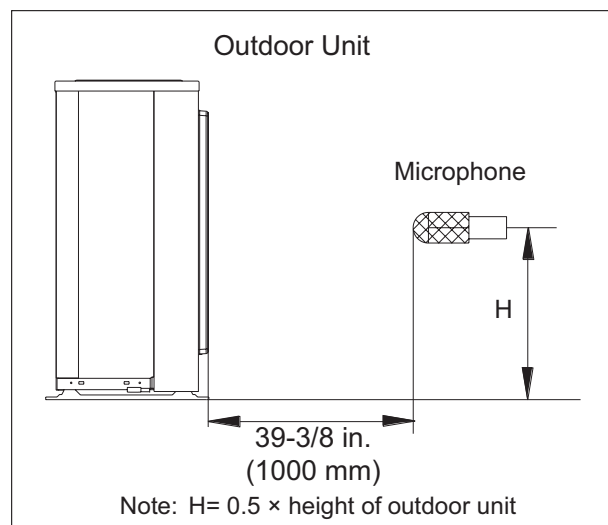
<sup>1</sup> **Bold Reference Numbers indicate Energy Star approval.**

Ratings are AHRI certified to AHRI Standard 210/240;

- Cooling Ratings - 95°F wet bulb/75°F dry bulb outdoor air temperature and 80°F dry bulb/67°F wet bulb entering indoor coil air.
- High Temperature Heating Ratings - 47°F dry bulb/43°F wet bulb outdoor air temperature and 70°F dry bulb/60°F wet bulb entering indoor coil air.
- Low Temperature Heating Ratings - 17°F dry bulb/15°F wet bulb outdoor air temperature and 70°F dry bulb/60°F wet bulb entering indoor coil air.

To convert HSPF from Region IV to Region V - Divide by 1.15.

## SOUND LEVELS - TEST CONDITIONS



**COOLING CAPACITY**

**009 (208/230V)**

Outdoor Temperature - °F (Dry Bulb)	Indoor Temperature - °F (Dry Bulb / Wet Bulb)							
	65°F / 54°F		70°F / 59°F		75°F / 63°F		80°F / 67°F	
	Total mBtuh	Sensible mBtuh	Total mBtuh	Sensible mBtuh	Total mBtuh	Sensible mBtuh	Total mBtuh	Sensible mBtuh
-13	9.85	6.51	10.46	6.87	11.00	7.19	11.67	7.59
-4	10.76	7.02	11.39	7.38	12.00	7.73	12.55	8.05
0	11.06	7.56	11.74	7.98	12.29	8.30	12.87	8.65
5	11.29	7.70	11.90	8.07	12.42	8.38	13.21	8.87
17	11.56	8.08	12.13	8.44	12.75	8.81	13.32	9.15
25	11.32	8.20	11.97	8.63	12.74	9.13	13.31	9.49
35	11.35	8.12	11.90	8.45	12.56	8.87	13.30	9.33
47	11.34	8.57	11.84	8.90	12.45	9.30	13.16	9.77
55	11.16	8.28	11.78	8.69	12.34	9.06	13.12	9.58
65	11.19	8.64	11.79	9.05	12.51	9.55	13.09	9.95
75	11.31	8.64	11.89	9.04	12.50	9.46	13.06	9.82
85	10.77	8.71	11.35	9.13	11.86	9.48	12.61	10.04
95	10.37	8.49	10.84	8.84	11.50	9.31	12.22	9.85
105	10.05	8.29	10.57	8.67	11.10	9.06	11.73	9.53
115	9.12	8.51	9.65	8.95	10.23	9.44	10.66	9.78
122	8.56	8.54	9.06	9.00	9.54	9.45	9.99	9.85

**HEATING CAPACITY**

**009 (208/230V)**

Outdoor Temperature - °F (Dry Bulb)	Indoor Temperature - °F (Dry Bulb)			
	60°F	65°F	70°F	75°F
	Total mBtuh	Total mBtuh	Total mBtuh	Total mBtuh
-13	5.78	5.60	5.45	5.25
-4	7.77	7.53	7.33	7.06
0	8.38	8.15	7.92	7.58
5	9.13	8.84	8.62	8.32
10	10.16	9.82	9.55	9.20
17	11.09	10.76	10.50	10.13
20	11.36	11.06	10.77	10.35
25	11.61	11.31	11.04	10.57
32	12.01	11.69	11.31	10.83
35	12.25	11.94	11.56	11.14
40	12.68	12.25	11.89	11.37
47	13.03	12.69	12.29	11.78
50	13.40	13.00	12.67	12.10
57	13.82	13.49	13.03	12.52

**COOLING CAPACITY****012 (115V)**

Outdoor Temperature - °F (Dry Bulb)	Indoor Temperature - °F (Dry Bulb / Wet Bulb)							
	65°F / 54°F		70°F / 59°F		75°F / 63°F		80°F / 67°F	
	Total mBtuh	Sensible mBtuh	Total mBtuh	Sensible mBtuh	Total mBtuh	Sensible mBtuh	Total mBtuh	Sensible mBtuh
-13	10.59	6.80	11.24	7.19	11.73	7.46	12.26	7.75
-4	10.52	7.17	11.19	7.58	11.88	8.00	12.64	8.47
0	10.82	7.23	11.39	7.56	12.05	7.95	12.77	8.38
5	11.30	7.92	11.85	8.25	12.37	8.56	12.90	8.87
17	11.23	8.14	11.84	8.54	12.36	8.87	13.03	9.30
25	11.01	7.77	11.72	8.22	12.35	8.62	13.12	9.11
35	11.28	8.18	11.81	8.52	12.53	8.98	13.23	9.43
47	11.87	8.87	12.46	9.26	13.17	9.74	13.77	10.14
55	11.37	8.56	12.07	9.05	12.73	9.50	13.53	10.04
65	11.65	8.77	12.18	9.12	12.73	9.49	13.29	9.85
75	11.16	8.83	11.86	9.34	12.48	9.77	13.04	10.16
85	11.10	8.98	11.61	9.34	12.13	9.70	12.66	10.07
95	10.56	8.70	11.24	9.20	11.80	9.62	12.50	10.13
105	10.30	8.68	10.82	9.05	11.36	9.46	12.01	9.94
115	9.52	8.99	10.00	9.38	10.42	9.72	10.86	10.06
122	8.63	8.58	9.13	9.04	9.59	9.46	10.10	9.91

**HEATING CAPACITY****012 (115V)**

Outdoor Temperature - °F (Dry Bulb)	Indoor Temperature - °F (Dry Bulb)			
	60°F	65°F	70°F	75°F
	Total mBtuh	Total mBtuh	Total mBtuh	Total mBtuh
-13	5.66	5.51	5.36	5.15
-4	6.11	5.96	5.79	5.59
0	6.84	6.67	6.50	6.24
5	7.52	7.29	7.09	6.85
10	8.57	8.35	8.12	7.82
17	9.89	9.56	9.25	8.88
20	10.62	10.33	10.00	9.65
25	11.37	11.04	10.72	10.28
32	12.17	11.82	11.48	10.97
35	13.00	12.65	12.24	11.80
40	13.68	13.28	12.87	12.39
47	14.43	14.00	13.63	13.11
50	14.60	14.19	13.81	13.19
57	14.85	14.46	14.01	13.38

**COOLING CAPACITY**

**012 (208/230V)**

Outdoor Temperature - °F (Dry Bulb)	Indoor Temperature - °F (Dry Bulb / Wet Bulb)							
	65°F / 54°F		70°F / 59°F		75°F / 63°F		80°F / 67°F	
	Total mBtuh	Sensible mBtuh	Total mBtuh	Sensible mBtuh	Total mBtuh	Sensible mBtuh	Total mBtuh	Sensible mBtuh
-13	10.40	6.45	11.03	6.80	11.62	7.13	12.27	7.48
-4	11.11	7.32	11.61	7.60	12.30	8.02	13.05	8.47
0	11.56	7.62	12.11	7.92	12.77	8.32	13.30	8.62
5	11.64	7.92	12.34	8.35	13.04	8.78	13.60	9.10
17	11.43	7.97	12.13	8.40	12.89	8.89	13.52	9.28
25	11.73	8.38	12.40	8.82	12.93	9.15	13.47	9.48
35	11.60	8.62	12.25	9.06	12.88	9.47	13.41	9.82
47	11.55	8.76	12.07	9.11	12.79	9.60	13.41	10.01
55	11.40	8.67	12.05	9.11	12.68	9.55	13.40	10.04
65	11.66	9.26	12.20	9.62	12.79	10.04	13.40	10.46
75	11.39	8.83	12.01	9.26	12.67	9.72	13.40	10.23
85	11.33	9.13	11.96	9.58	12.63	10.07	13.39	10.62
95	11.48	9.18	12.11	9.64	12.75	10.08	13.39	10.54
105	11.05	9.45	11.65	9.90	12.20	10.30	12.81	10.77
115	10.24	9.71	10.69	10.07	11.18	10.47	11.72	10.92
122	9.29	9.30	9.72	9.69	10.23	10.16	10.80	10.67

**HEATING CAPACITY**

**012 (208/230V)**

Outdoor Temperature - °F (Dry Bulb)	Indoor Temperature - °F (Dry Bulb)			
	60°F	65°F	70°F	75°F
	Total mBtuh	Total mBtuh	Total mBtuh	Total mBtuh
-13	6.13	5.95	5.80	5.58
-4	7.95	7.76	7.50	7.17
0	8.73	8.45	8.24	7.90
5	9.40	9.16	8.87	8.47
10	10.45	10.16	9.82	9.38
17	11.36	10.97	10.61	10.21
20	11.68	11.30	11.01	10.54
25	12.05	11.76	11.39	10.97
32	12.40	12.04	11.75	11.30
35	12.83	12.48	12.11	11.56
40	13.50	13.17	12.73	12.26
47	14.07	13.73	13.29	12.82
50	14.48	14.09	13.65	13.13
57	15.02	14.57	14.09	13.48



**COOLING CAPACITY****018 (208/230V)**

Outdoor Temperature - °F (Dry Bulb)	Indoor Temperature - °F (Dry Bulb / Wet Bulb)							
	65°F / 54°F		70°F / 59°F		75°F / 63°F		80°F / 67°F	
	Total mBtuh	Sensible mBtuh	Total mBtuh	Sensible mBtuh	Total mBtuh	Sensible mBtuh	Total mBtuh	Sensible mBtuh
-13	16.24	10.57	16.97	11.00	18.04	11.61	18.97	12.14
-4	16.01	10.88	17.01	11.50	17.89	12.02	19.01	12.72
0	16.48	11.21	17.24	11.66	18.16	12.21	19.10	12.78
5	16.36	11.12	17.24	11.65	18.22	12.25	19.20	12.83
17	16.84	11.70	17.78	12.28	18.86	12.96	19.79	13.53
25	17.21	12.48	18.12	13.07	18.89	13.56	19.84	14.17
35	16.89	12.59	17.97	13.33	18.71	13.81	19.91	14.61
47	17.53	12.88	18.26	13.35	19.18	13.95	20.12	14.55
55	17.82	13.69	18.72	14.31	19.60	14.90	20.59	15.56
65	18.27	14.10	19.27	14.78	20.14	15.34	21.02	15.91
75	18.52	14.86	19.50	15.56	20.48	16.24	21.45	16.92
85	17.53	13.63	18.65	14.41	19.63	15.10	20.64	15.79
95	16.66	13.41	17.50	14.00	18.62	14.81	19.56	15.45
105	16.07	13.70	16.86	14.29	17.64	14.87	18.72	15.69
115	14.38	13.72	15.20	14.42	15.92	15.03	16.94	15.89
122	13.05	13.00	13.77	13.65	14.58	14.41	15.43	15.17

**HEATING CAPACITY****018 (208/230V)**

Outdoor Temperature - °F (Dry Bulb)	Indoor Temperature - °F (Dry Bulb)			
	60°F	65°F	70°F	75°F
	Total mBtuh	Total mBtuh	Total mBtuh	Total mBtuh
-13	8.46	8.25	8.01	7.69
-4	10.03	9.69	9.39	9.04
0	11.39	11.05	10.72	10.26
5	12.91	12.55	12.18	11.71
10	14.69	14.22	13.87	13.28
17	16.97	16.40	15.93	15.26
20	18.15	17.71	17.19	16.45
25	19.61	19.00	18.50	17.80
32	21.03	20.42	19.78	19.03
35	22.27	21.60	21.01	20.15
40	22.26	21.66	21.11	20.18
47	22.44	21.81	21.19	20.24
50	23.14	22.56	21.81	20.88
57	23.72	23.05	22.46	21.52

**COOLING CAPACITY****024 (208/230V)**

Outdoor Temperature - °F (Dry Bulb)	Indoor Temperature - °F (Dry Bulb / Wet Bulb)							
	65°F / 54°F		70°F / 59°F		75°F / 63°F		80°F / 67°F	
	Total mBtuh	Sensible mBtuh	Total mBtuh	Sensible mBtuh	Total mBtuh	Sensible mBtuh	Total mBtuh	Sensible mBtuh
-13	23.54	14.99	24.65	15.61	26.06	16.40	27.29	17.08
-4	23.86	16.20	24.93	16.84	26.33	17.67	27.89	18.63
0	23.77	15.73	25.21	16.60	26.34	17.24	27.93	18.19
5	24.35	17.30	25.36	17.94	26.84	18.89	27.99	19.59
17	24.41	17.29	25.42	17.92	26.85	18.82	28.02	19.56
25	24.27	17.10	25.31	17.73	26.87	18.71	28.05	19.41
35	24.28	17.26	25.64	18.14	26.82	18.89	28.08	19.68
47	23.64	17.51	25.12	18.51	26.53	19.45	28.10	20.49
55	24.25	18.48	25.80	19.57	26.99	20.36	28.11	21.11
65	23.91	18.81	25.38	19.84	26.85	20.87	28.12	21.74
75	23.81	18.19	25.25	19.17	26.69	20.17	28.13	21.15
85	24.16	19.04	25.43	19.92	26.86	20.93	28.27	21.91
95	24.60	20.06	25.82	20.93	27.06	21.81	28.40	22.75
105	23.65	19.82	24.97	20.80	26.20	21.70	27.46	22.60
115	20.92	19.38	22.11	20.38	23.45	21.50	24.87	22.66
122	19.81	19.75	21.06	20.91	21.93	21.69	22.92	22.55

**HEATING CAPACITY****024 (208/230V)**

Outdoor Temperature - °F (Dry Bulb)	Indoor Temperature - °F (Dry Bulb)			
	60°F	65°F	70°F	75°F
	Total mBtuh	Total mBtuh	Total mBtuh	Total mBtuh
-13	12.17	11.88	11.54	11.08
-4	13.43	12.99	12.55	12.04
0	15.75	15.33	14.92	14.31
5	18.81	18.28	17.66	16.90
10	19.90	19.31	18.83	18.04
17	21.51	20.85	20.16	19.31
20	21.72	21.03	20.41	19.64
25	21.95	21.37	20.67	19.90
32	22.11	21.57	20.92	20.15
35	22.50	21.78	21.23	20.46
40	25.97	25.09	24.41	23.46
47	28.78	28.05	27.18	26.09
50	29.98	28.99	28.04	26.86
57	30.65	29.76	28.81	27.60

**COOLING CAPACITY****030 (208/230V)**

Outdoor Temperature - °F (Dry Bulb)	Indoor Temperature - °F (Dry Bulb / Wet Bulb)							
	65°F / 54°F		70°F / 59°F		75°F / 63°F		80°F / 67°F	
	Total mBtuh	Sensible mBtuh	Total mBtuh	Sensible mBtuh	Total mBtuh	Sensible mBtuh	Total mBtuh	Sensible mBtuh
-13	24.05	15.48	25.50	16.33	26.68	16.99	27.91	17.66
-4	25.18	17.11	26.57	17.96	28.02	18.83	29.37	19.62
0	26.14	17.48	27.52	18.32	28.76	19.04	30.02	19.78
5	25.88	17.65	27.18	18.43	28.82	19.43	30.60	20.53
17	26.51	18.41	27.68	19.14	29.35	20.20	31.22	21.39
25	26.72	19.11	28.33	20.16	29.76	21.06	31.53	22.20
35	27.31	19.66	28.57	20.46	30.10	21.44	31.82	22.53
47	26.24	19.12	27.91	20.22	29.66	21.37	31.22	22.36
55	27.01	20.32	28.43	21.27	29.65	22.06	31.14	23.05
65	26.63	21.10	28.33	22.31	29.70	23.26	31.07	24.20
75	27.33	21.73	28.47	22.49	29.71	23.36	30.99	24.23
85	26.23	20.91	27.76	22.01	29.28	23.10	30.79	24.14
95	26.27	21.43	27.71	22.48	29.32	23.64	30.67	24.60
105	25.53	21.74	27.05	22.88	28.38	23.87	29.65	24.79
115	23.50	22.32	24.61	23.27	25.80	24.25	27.44	25.63
122	22.23	22.15	23.21	23.02	24.51	24.23	25.85	25.46

**HEATING CAPACITY****030 (208/230V)**

Outdoor Temperature - °F (Dry Bulb)	Indoor Temperature - °F (Dry Bulb)			
	60°F	65°F	70°F	75°F
	Total mBtuh	Total mBtuh	Total mBtuh	Total mBtuh
-13	12.91	12.58	12.23	11.80
-4	14.17	13.70	13.29	12.77
0	16.22	15.77	15.39	14.70
5	18.37	17.80	17.25	16.51
10	19.06	18.47	17.97	17.16
17	19.75	19.12	18.56	17.80
20	20.98	20.47	19.79	19.10
25	22.32	21.69	21.14	20.25
32	23.73	23.02	22.37	21.54
35	25.18	24.52	23.69	22.84
40	30.67	29.77	29.02	27.98
47	37.13	35.91	34.80	33.26
50	37.93	36.65	35.75	34.22
57	38.53	37.59	36.54	35.18

**COOLING CAPACITY**

**036 (208/230V)**

Outdoor Temperature - °F (Dry Bulb)	Indoor Temperature - °F (Dry Bulb / Wet Bulb)							
	65°F / 54°F		70°F / 59°F		75°F / 63°F		80°F / 67°F	
	Total mBtuh	Sensible mBtuh	Total mBtuh	Sensible mBtuh	Total mBtuh	Sensible mBtuh	Total mBtuh	Sensible mBtuh
-13	31.05	19.68	32.82	20.69	34.73	21.76	36.37	22.66
-4	31.67	20.72	33.13	21.53	34.58	22.37	36.79	23.66
0	31.61	21.76	33.63	23.04	35.03	23.86	36.91	24.99
5	30.88	21.79	32.75	23.00	34.84	24.33	37.02	25.73
17	32.00	22.24	33.37	23.07	35.23	24.23	37.32	25.53
25	32.68	23.61	34.26	24.64	35.91	25.70	37.68	26.79
35	32.32	23.91	34.35	25.28	36.50	26.73	38.06	27.71
47	33.32	25.23	34.93	26.33	37.16	27.87	38.75	28.91
55	33.81	25.48	35.85	26.90	37.74	28.18	39.56	29.39
65	35.40	26.64	37.07	27.74	38.69	28.83	40.43	29.96
75	35.82	28.10	37.58	29.32	39.19	30.40	41.25	31.85
85	34.80	28.04	36.59	29.30	38.47	30.64	40.58	32.14
95	32.83	26.57	34.63	27.86	36.60	29.26	38.86	30.89
105	31.34	26.85	33.13	28.25	34.77	29.50	36.99	31.18
115	29.14	27.32	30.61	28.57	32.12	29.84	33.81	31.24
122	27.45	27.35	28.71	28.50	30.22	29.89	31.98	31.50

**HEATING CAPACITY**

**036 (208/230V)**

Outdoor Temperature - °F (Dry Bulb)	Indoor Temperature - °F (Dry Bulb)			
	60°F	65°F	70°F	75°F
	Total mBtuh	Total mBtuh	Total mBtuh	Total mBtuh
-13	16.09	15.63	15.24	14.67
-4	17.64	17.21	16.66	15.97
0	19.81	19.24	18.73	17.94
5	21.65	21.04	20.43	19.69
10	22.19	21.59	20.96	20.16
17	22.67	22.01	21.48	20.51
20	24.17	23.53	22.87	22.05
25	25.86	24.99	24.26	23.41
32	27.07	26.36	25.59	24.54
35	28.44	27.75	26.89	25.68
40	34.58	33.47	32.40	30.98
47	39.30	38.16	37.01	35.35
50	39.67	38.63	37.61	36.26
57	40.52	39.15	38.12	36.79

**COOLING CAPACITY****048 (208/230V)**

Outdoor Temperature - °F (Dry Bulb)	Indoor Temperature - °F (Dry Bulb / Wet Bulb)							
	65°F / 54°F		70°F / 59°F		75°F / 63°F		80°F / 67°F	
	Total mBtuh	Sensible mBtuh	Total mBtuh	Sensible mBtuh	Total mBtuh	Sensible mBtuh	Total mBtuh	Sensible mBtuh
-13	36.34	22.93	38.29	24.02	40.56	25.30	42.56	26.39
-4	38.93	25.90	41.11	27.20	43.18	28.40	45.94	30.04
0	41.46	28.60	43.97	30.15	45.99	31.36	48.36	32.79
5	43.21	30.20	45.82	31.84	48.64	33.64	51.04	35.07
17	46.23	33.23	49.07	35.06	51.12	36.30	53.25	37.59
25	47.16	34.36	49.80	36.09	51.87	37.38	55.07	39.48
35	48.41	35.24	50.91	36.85	53.64	38.62	56.58	40.51
47	49.29	37.40	51.77	39.03	54.96	41.21	57.61	42.98
55	49.36	37.60	52.07	39.49	54.35	40.96	57.76	43.32
65	49.44	38.62	52.10	40.49	55.43	42.87	57.92	44.54
75	49.21	38.99	52.30	41.19	54.76	42.86	58.07	45.18
85	45.84	35.51	47.75	36.79	50.43	38.61	53.02	40.40
95	42.06	33.73	43.85	34.97	45.97	36.43	48.75	38.46
105	36.70	31.09	38.59	32.52	40.88	34.29	43.49	36.27
115	27.32	25.39	28.49	26.31	30.11	27.68	31.70	29.00
122	22.63	22.65	23.87	23.78	25.32	25.12	26.43	26.11

**HEATING CAPACITY****048 (208/230V)**

Outdoor Temperature - °F (Dry Bulb)	Indoor Temperature - °F (Dry Bulb)			
	60°F	65°F	70°F	75°F
	Total mBtuh	Total mBtuh	Total mBtuh	Total mBtuh
-13	29.04	28.31	27.35	26.28
-4	33.00	32.10	31.29	29.97
0	34.64	33.51	32.62	31.19
5	36.19	35.03	34.01	32.76
10	38.94	37.96	36.74	35.13
17	41.56	40.35	39.36	37.75
20	44.16	42.91	41.66	39.79
25	46.38	45.16	43.81	42.14
32	48.96	47.53	46.15	44.35
35	51.38	49.88	48.38	46.59
40	53.55	52.19	50.82	49.04
47	56.85	55.14	53.74	51.65
50	57.79	56.00	54.21	51.99
57	58.30	56.43	54.69	52.28

## COOLING CAPACITY

060

Outdoor Temperature - °F (Dry Bulb)	Indoor Temperature - °F (Dry Bulb / Wet Bulb)							
	65°F / 54°F		70°F / 59°F		75°F / 63°F		80°F / 67°F	
	Total mBtuh	Sensible mBtuh	Total mBtuh	Sensible mBtuh	Total mBtuh	Sensible mBtuh	Total mBtuh	Sensible mBtuh
-13	52.83	32.73	55.44	34.13	57.75	35.39	60.34	36.81
-4	56.89	37.73	59.38	39.15	62.84	41.18	65.59	42.77
0	58.57	38.49	61.14	39.98	64.09	41.71	67.46	43.65
5	59.32	40.45	62.97	42.73	65.59	44.23	69.41	46.57
17	59.78	42.25	63.19	44.39	66.65	46.58	69.65	48.41
25	58.79	42.58	61.24	44.13	64.67	46.33	68.80	48.98
35	57.38	41.15	60.98	43.50	63.85	45.29	67.78	47.78
47	58.12	43.46	61.18	45.52	64.33	47.59	67.79	49.89
55	57.98	42.95	61.03	44.99	64.58	47.37	67.62	49.37
65	58.27	46.13	61.72	48.55	64.56	50.53	67.47	52.49
75	57.10	45.00	60.55	47.44	64.35	50.11	67.31	52.17
85	54.72	42.61	57.72	44.71	60.19	46.38	63.49	48.69
95	51.10	42.29	54.36	44.70	56.87	46.52	60.37	49.08
105	49.24	42.28	51.29	43.82	54.51	46.30	57.20	48.33
115	44.62	41.93	46.57	43.49	48.87	45.43	51.06	47.18
122	40.47	40.33	42.24	41.93	44.00	43.50	46.46	45.72

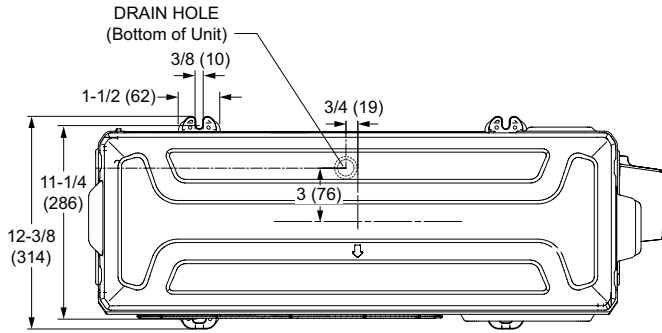
## HEATING CAPACITY

060

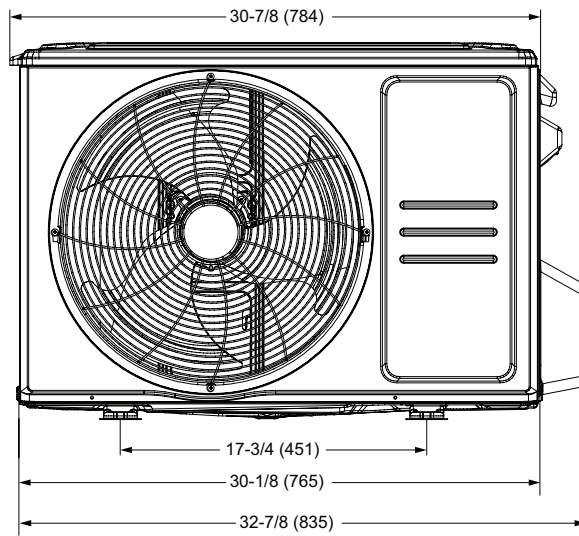
Outdoor Temperature - °F (Dry Bulb)	Indoor Temperature - °F (Dry Bulb)			
	60°F	65°F	70°F	75°F
	Total mBtuh	Total mBtuh	Total mBtuh	Total mBtuh
-13	27.17	26.35	25.54	24.44
-4	31.63	30.86	29.94	28.86
0	32.58	31.60	30.71	29.33
5	33.67	32.63	31.62	30.38
10	38.32	37.35	36.33	35.06
17	43.21	41.91	40.77	39.26
20	45.90	44.52	43.01	41.29
25	48.19	46.61	45.12	43.22
32	50.61	48.95	47.29	45.21
35	52.88	51.19	49.55	47.62
40	60.00	58.14	56.50	54.36
47	66.23	64.05	62.31	60.07
50	67.40	65.43	63.84	60.96
57	69.68	67.32	65.43	62.81

# DIMENSIONS

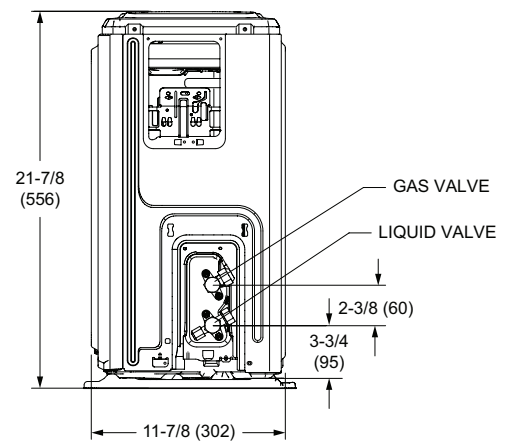
## MPC009S4S | MPC012S4S



**TOP VIEW**



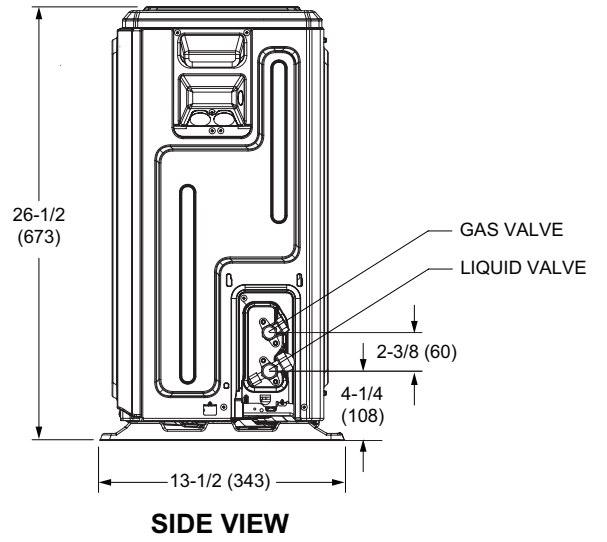
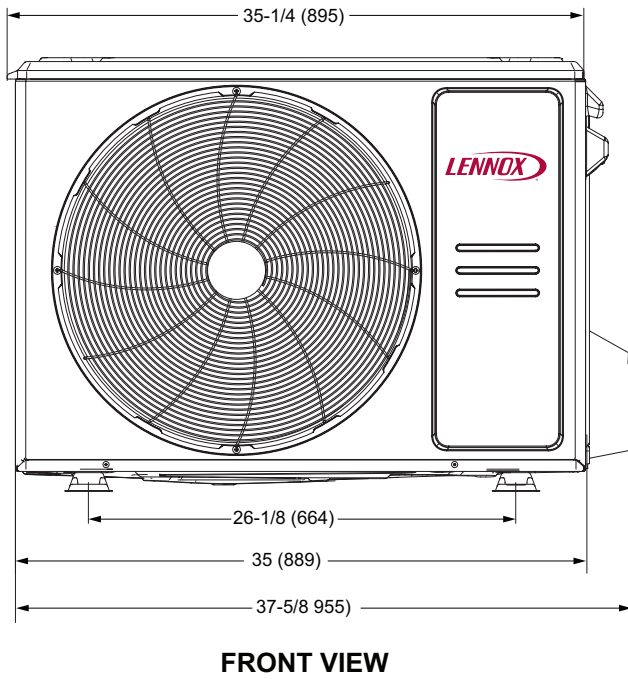
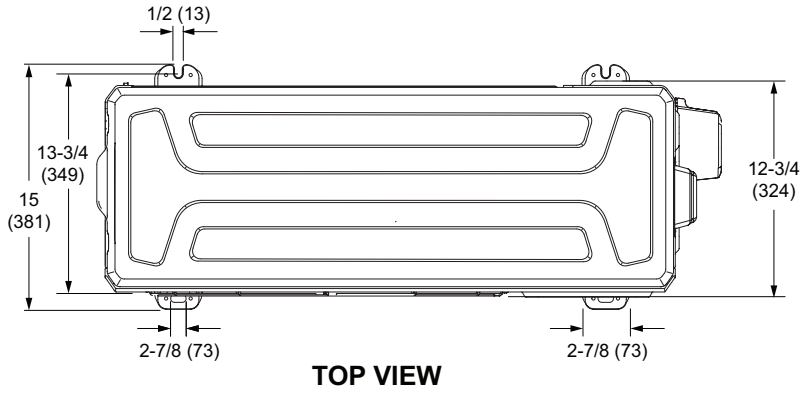
**FRONT VIEW**



**SIDE VIEW**

# DIMENSIONS

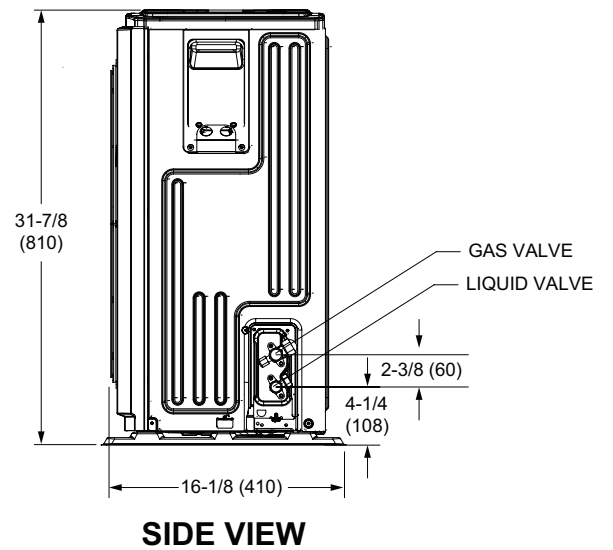
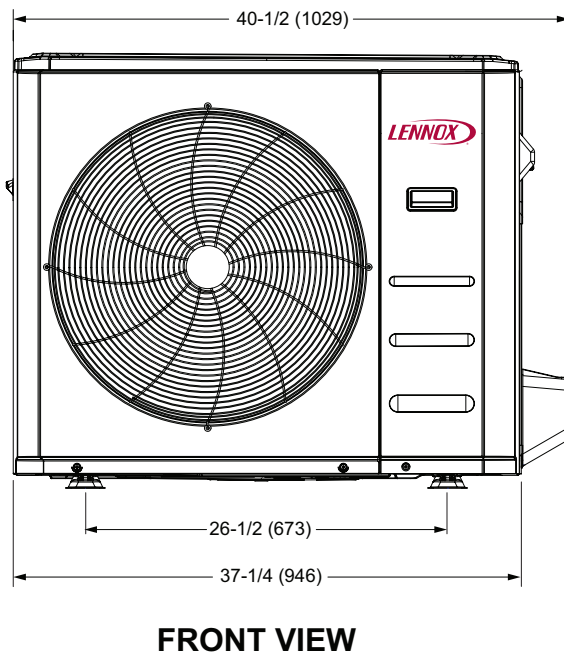
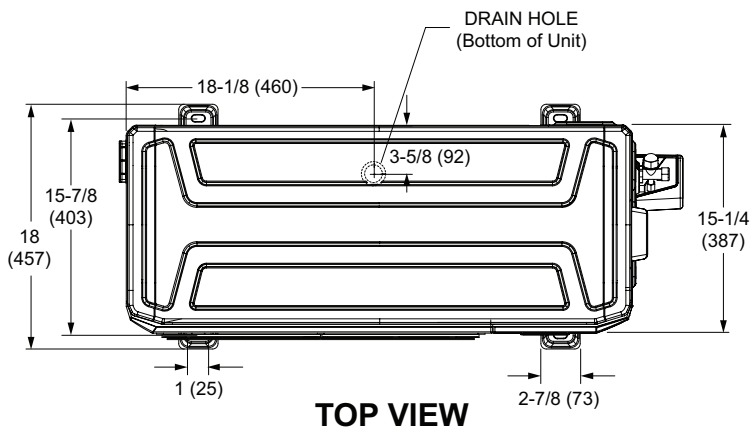
## MPC018S4S





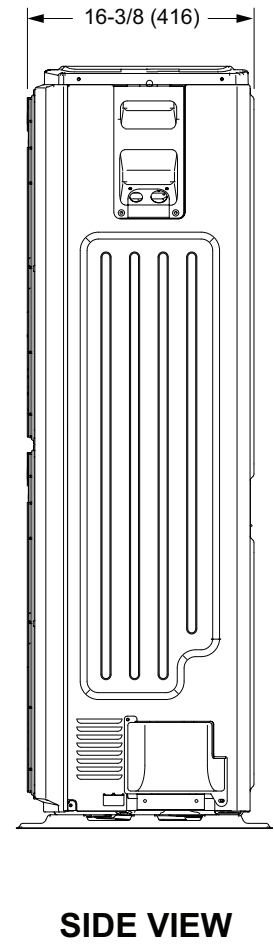
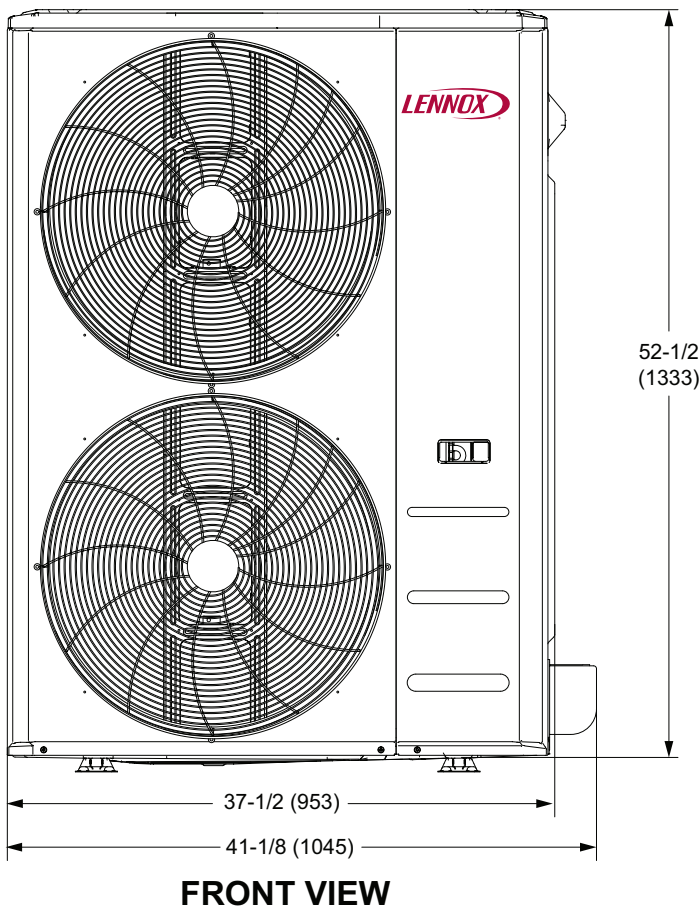
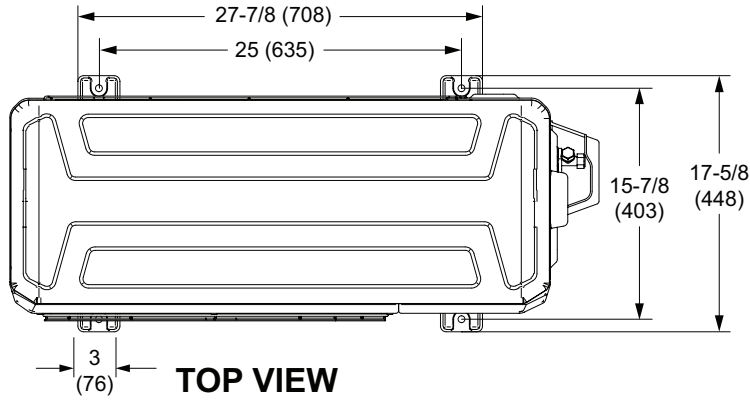
# DIMENSIONS

## MPC024S4S | MPC030S4S | MPC036S4S

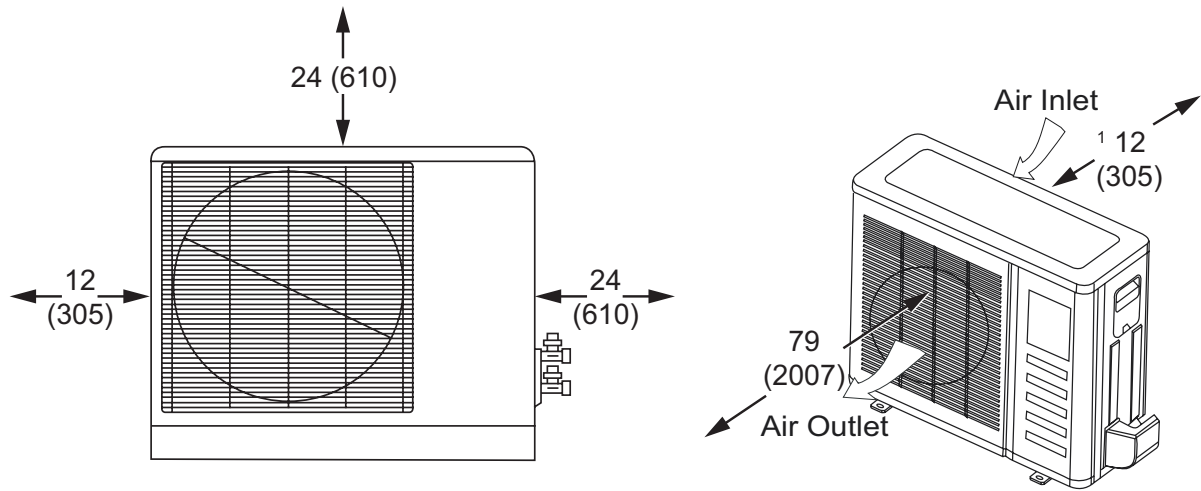


# DIMENSIONS

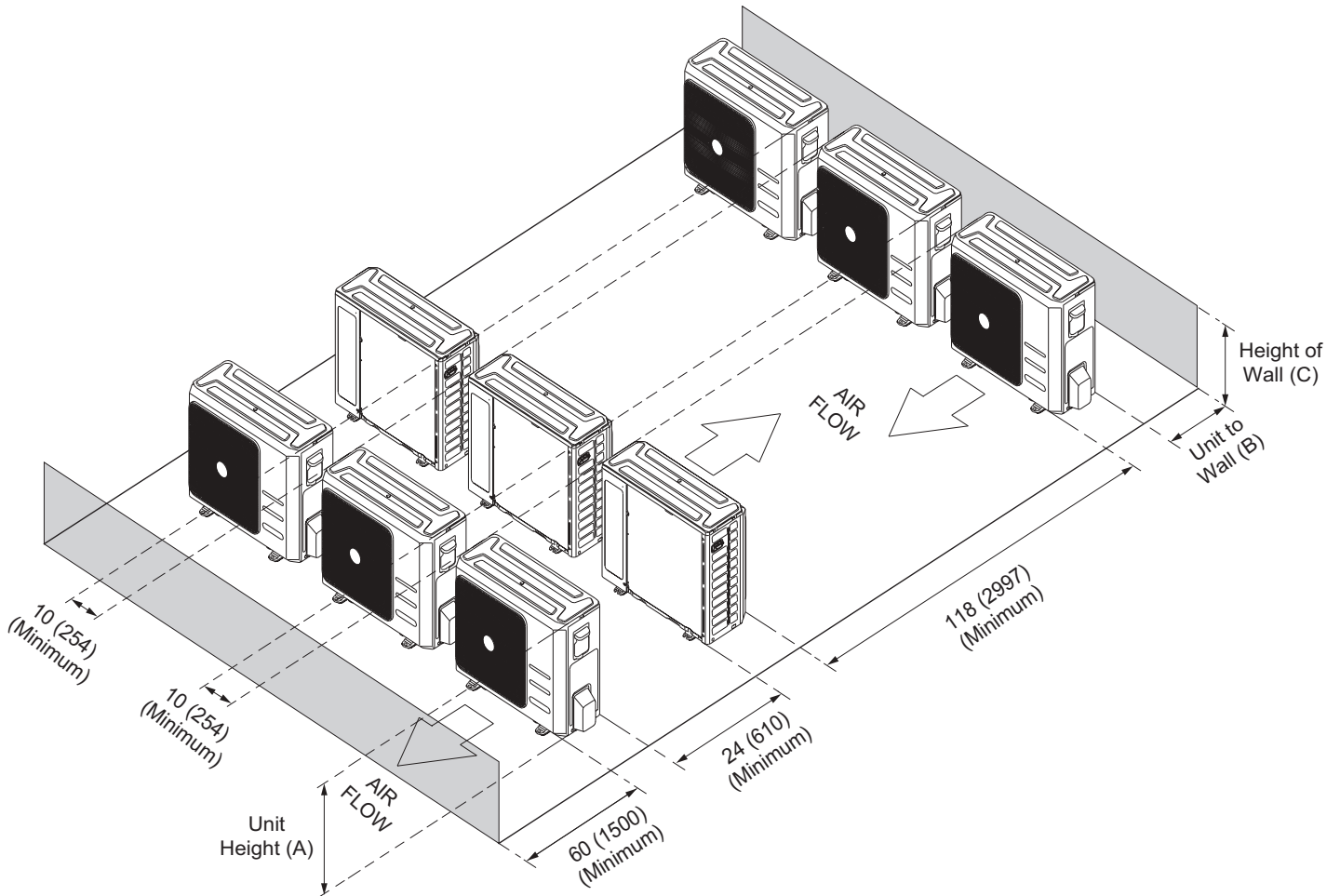
## MPC048S4S | MPC060S4S



## INSTALLATION CLEARANCES



<sup>1</sup> Minimum rear clearance can be 6 inches (152 mm) when mounted on brackets and with no obstructions on the other three sides.



### CLEARANCE NOTES FOR MULTIPLE UNITS:

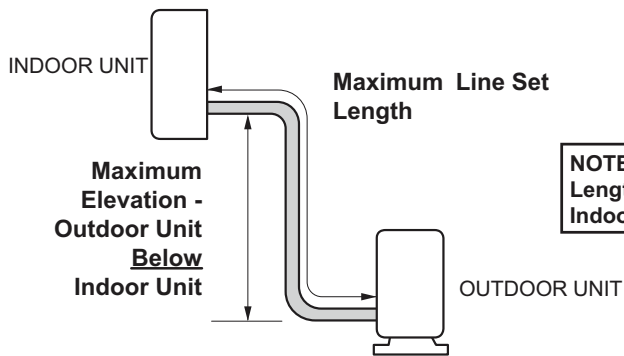
If the height of the wall (C) is less than or equal to the height of the smallest unit (A), the distance from the unit to the wall (B) must be a minimum of 10 inches (254 mm).

If 1/2 the height of the unit (A) is less than the height of the wall (C), the distance from the unit to the wall (B) must be a minimum of 12 inches (305 mm).

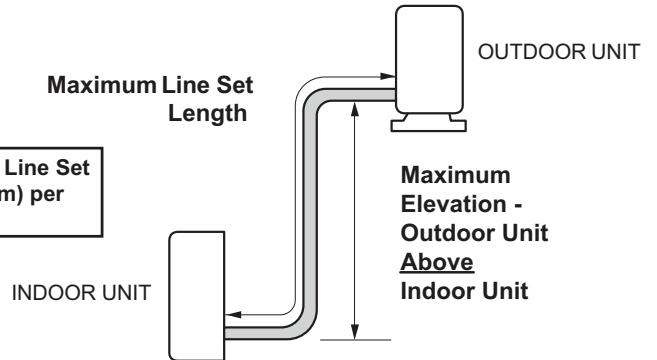
If the height of the wall (C) is greater than the height of the unit (A), the distance from the unit to the wall (B) must be a minimum of 20 inches (508 mm).

# LINE SET AND ELEVATION GUIDELINES

## Outdoor Unit BELOW Indoor Unit



## Outdoor Unit ABOVE Indoor Unit



**NOTE - Minimum Line Set Length - 10 ft. (3 m) per Indoor Unit**

Size	Line Set Diameters (in.)		Maximum Elevation - Outdoor Unit <u>Below</u> Indoor Unit ft. (m)	Maximum Elevation - Outdoor Unit <u>Above</u> Indoor Unit ft. (m)	Maximum Line Set Length ft. (m)
	Liquid	Gas			
009	1/4	3/8	66 ft. (20 m)	66 ft. (20 m)	98 ft. (30 m)
012	1/4	1/2	66 ft. (20 m)	66 ft. (20 m)	98 ft. (30 m)
018	1/4	1/2	66 ft. (20 m)	66 ft. (20 m)	98 ft. (30 m)
024, 030	3/8	5/8	82 ft. (25 m)	82 ft. (25 m)	164 ft. (50 m)
036, 048, 060	3/8	5/8	98 ft. (30 m)	98 ft. (30 m)	213 ft. (65 m)



## REVISIONS

Sections	Description of Change
Approvals and Warranty	Updated Warranty statement.



**HRAI**  
✓ MEMBER COMPANY



Visit us at [www.Lennox.com](http://www.Lennox.com)

For the latest technical information, [www.LennoxPros.com](http://www.LennoxPros.com)

Contact us at 1-800-9-LENNOX

NOTE - Due to Lennox' ongoing commitment to quality, Specifications, Ratings and Dimensions subject to change without notice and without incurring liability. Improper installation, adjustment, alteration, service or maintenance can cause property damage or personal injury. Installation and service must be performed by a qualified installer and servicing agency.

©2024 Lennox Industries, Inc.