

Job: _____
 Location: _____
 Schedule No.: _____
 System Designation: _____

Engineer: _____
 Architect: _____
 Location: _____
 Date: _____
 For:

	Approval	Review
	Construction	

FEATURES

Outdoor Unit: VPC060H4M-3P



- Variable-capacity outdoor unit
- Reuse existing line sets
- Sound levels as low as 40 dBA
- Controls versatility

Indoor Unit: CBA25UHV-060



- Upflow or horizontal applications
- Wide-range check and expansion valve is factory installed
- Optional field installed electric heaters

PIPING

Length and Maximum Height Difference

Maximum Pipe Length - Actual Length ft. (m)	164 (50)
Maximum Pipe Length - Equivalent Length ft. (m)	180 (55)
Maximum Height Difference ft. (m)	98 (30)

PRODUCT WARRANTY

Compressor – Ten year limited warranty*
 All other covered components - Ten year limited warranty*

*Applicable to Lennox REAL products only and require product registration

OPTIONAL ACCESSORIES

M30 Smart Wi-Fi Thermostat (15Z69)
 E30 Smart Wi-Fi Thermostat (20A65)



NOTE – Due to Lennox' ongoing commitment to quality, Specifications, Ratings and Dimensions subject to change without notice and without incurring liability. Improper installation, adjustment, alteration, service or maintenance can cause property damage or personal injury. Installation and service must be performed by a qualified installer and servicing agency.



SUBMITTAL DATA - OUTDOOR UNIT

VPC060H4M-3P - CBA25UHV-060

Single Zone Lennox REAL Heat Pump

OUTDOOR SPECIFICATIONS

PERFORMANCE		
Cooling Capacity ¹ (Btu/h)	Nominal	55,000
	Rated ²	55,000
EER2		8.0
SEER2		15.2
Heating Capacity ¹ (Btu/h)		56,500
HSPF2		7.80
COP2 at 5°F (W/W)		1.80
Operating Range (°F)	Heating	-13°F to 86°F
	Cooling	5°F to 122°F
ELECTRICAL DATA		
Power Supply (Volts/Phase/Hertz)		208-230/1/60
Minimum Circuit Ampacity (A)		35
Maximum Overcurrent Protection (A)		40
Compressor RLA (A)		26.4
Number of Compressors		1
Outdoor Fan Power Output (W)		(2) 90 + 90
Outdoor Fan FLA (A)		(2) 0.9 + 0.88

GENERAL DATA		
Connection Ratio		50% to 130%
Maximum Number of Indoor Units		9
Sound Pressure Level (dBA) Heating - High/Low		62/44
Sound Pressure Level (dBA) Cooling - High/Low		60/44
Refrigerant Type		R-410A
Factory Refrigerant Charge (each unit)		8 lbs. 10 oz.
DIMENSIONS		
Unit	Height	52-1/4
Dimensions (in)	Width	36
	Depth	13-1/16
Shipping Weight (lb)		234
Net Weight (lb)		212

NOTES

- Cooling and Heating Capacity data is rated at the following conditions:
Cooling: 80°FDB / 67°FWB Indoor, 95°FDB Outdoor Heating: 70°FDB Indoor, 47°FDB / 43°FWB Outdoor
- Complies with AHRI 210/240 testing standards

INDOOR SPECIFICATIONS

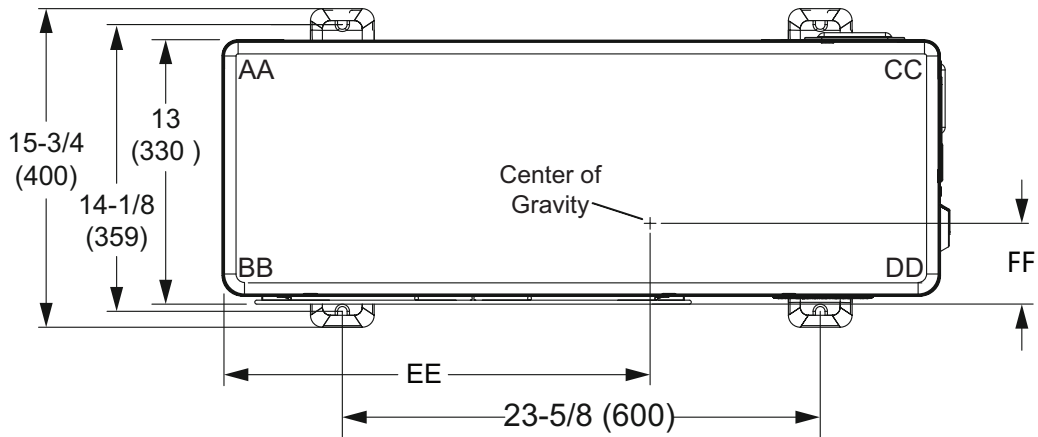
GENERAL DATA		
Connections	Suction/Vapor line (o.d.) - in. sweat	7/8
	Liquid line (o.d.) - in. sweat	3/8
	Condensate - in. fpt	(2) 3/4
Indoor Coil	Net face area - ft. ²	7.08
	Tube outside diameter - in.	3/8
	Number of rows	3
	Fins per inch	15
Blower	Wheel nominal diameter x width - in.	12 X 10
	Blower motor output - hp	1
¹ Filters	Size of filter - in.	18 x 20 x 1
Shipping Data -1 package - lbs.		190

ELECTRICAL DATA		
	Voltage - 1 phase (60 hz)	208/230V
² Maximum overcurrent protection (unit only) ³		15
Minimum circuit ampacity (unit only) Blower Motor		8.6
	Full Load Amps	6.9

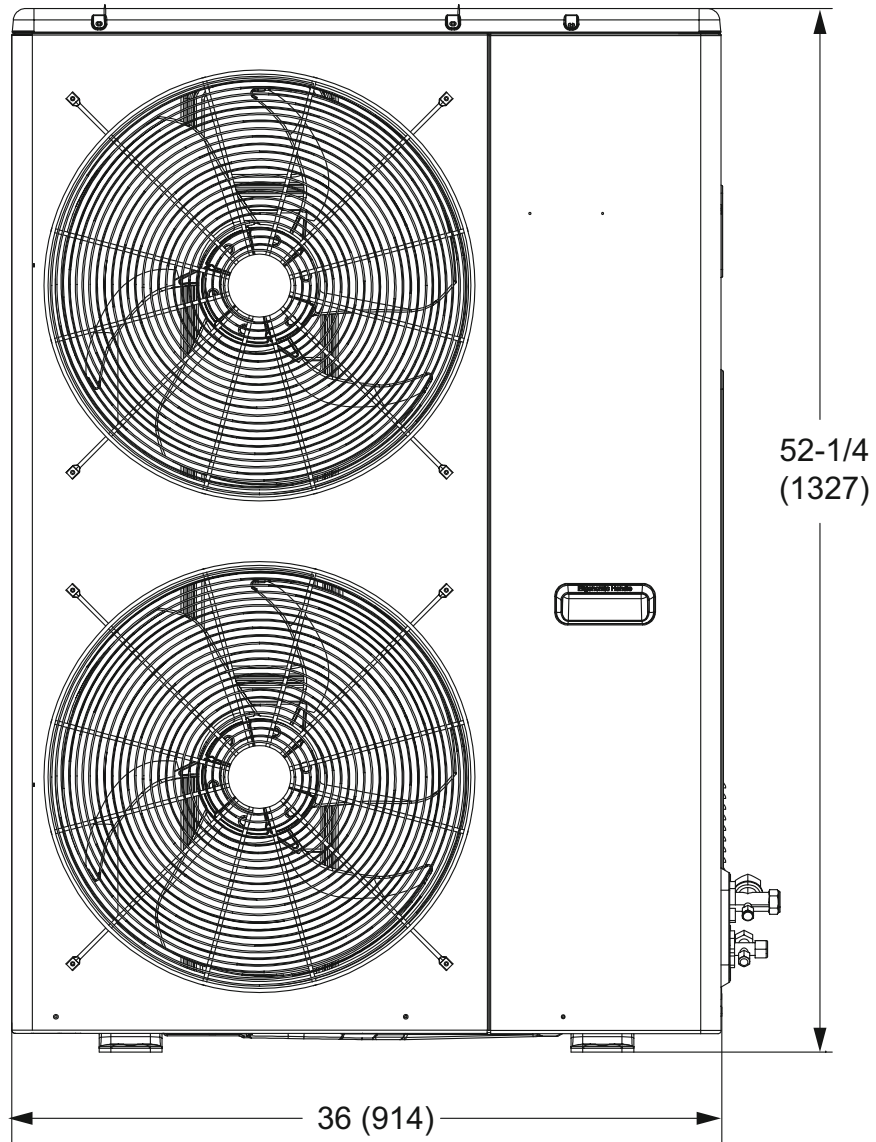
NOTES

- Disposable filter.
- HACR type circuit breaker or fuse.
- Refer to National or Canadian Electrical Code manual to determine wire, fuse and disconnect size requirements. Use wires suitable for at least 167°F.

DIMENSIONAL DRAWINGS - INCHES (MM)



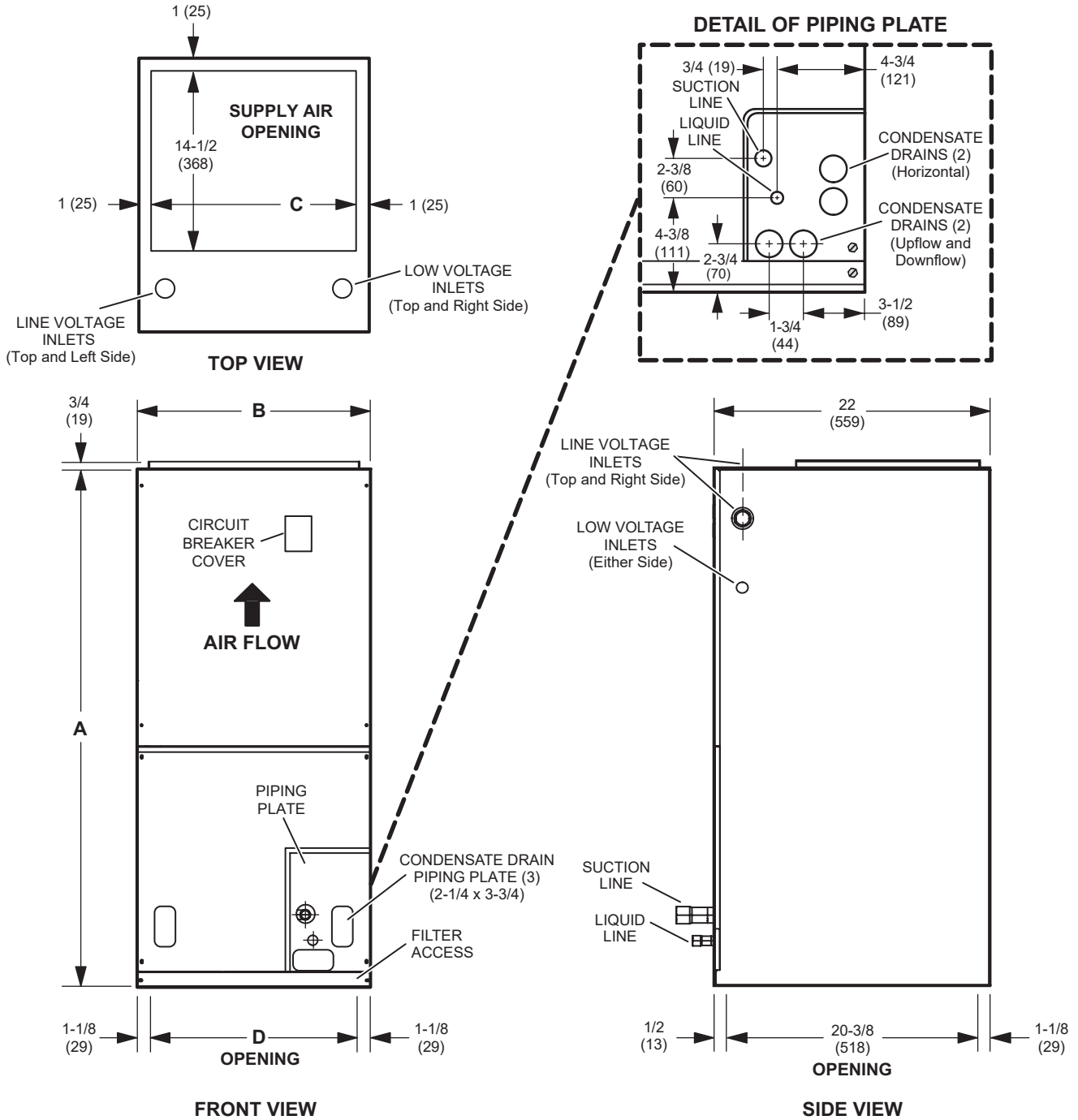
TOP VIEW



FRONT VIEW

NOTE - Due to Lennox' ongoing commitment to quality, Specifications, Ratings and Dimensions subject to change without notice and without incurring liability. Improper installation, adjustment, alteration, service or maintenance can cause property damage or personal injury. Installation and service must be performed by a qualified installer and servicing agency.

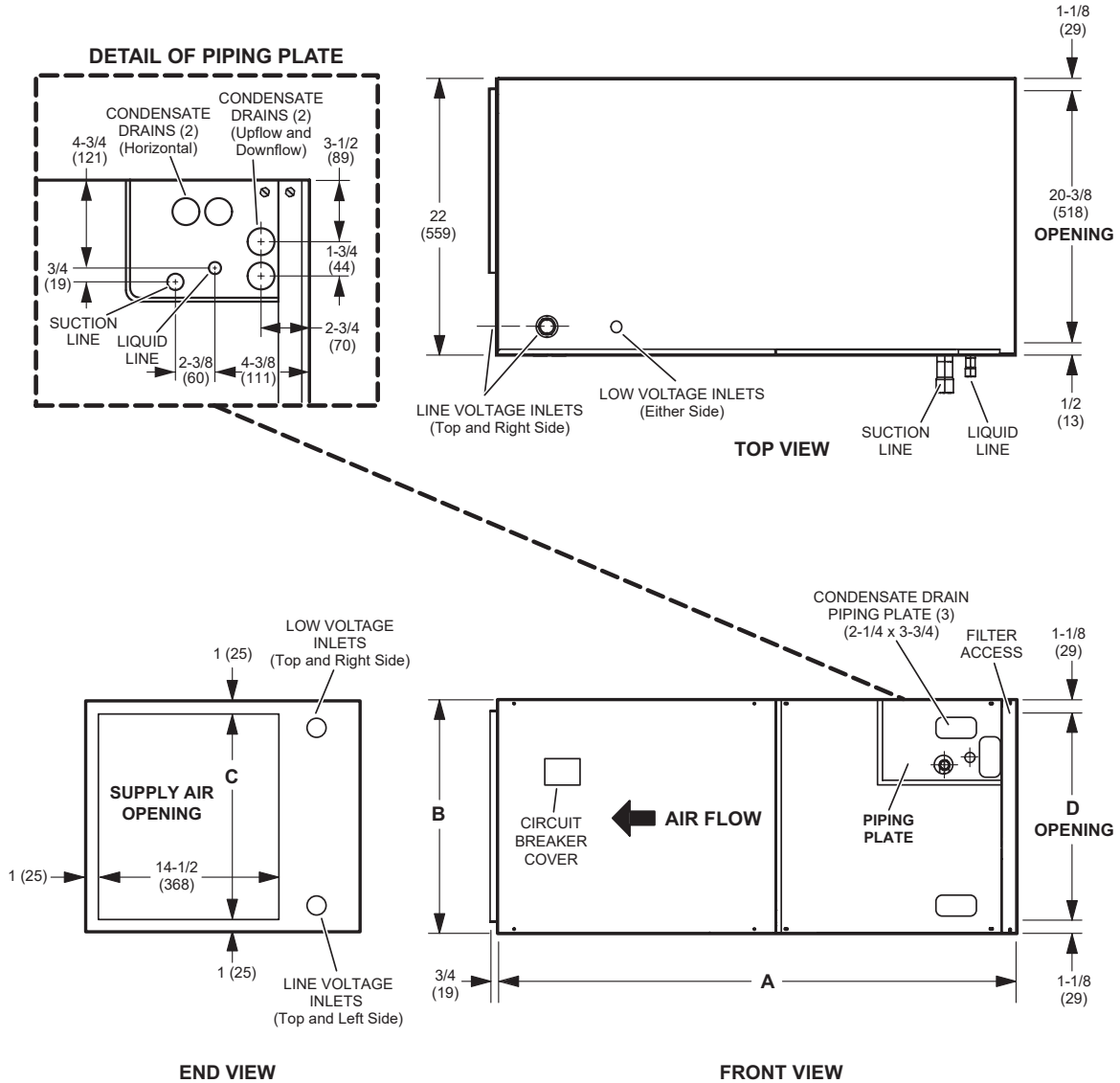
DIMENSIONAL DRAWINGS - INCHES (MM)



Dimensions	060	
	in.	mm
A	59-3/4	1518
B	21-1/2	546
C	19-1/2	495
D	19-1/4	489

NOTE - Due to Lennox' ongoing commitment to quality, Specifications, Ratings and Dimensions subject to change without notice and without incurring liability. Improper installation, adjustment, alteration, service or maintenance can cause property damage or personal injury. Installation and service must be performed by a qualified installer and servicing agency.

DIMENSIONAL DRAWINGS - INCHES (MM)



Dimensions	060	
	in.	mm
A	59-3/4	1518
B	21-1/2	546
C	19-1/2	495
D	19-1/4	489

NOTE – Due to Lennox' ongoing commitment to quality, Specifications, Ratings and Dimensions subject to change without notice and without incurring liability. Improper installation, adjustment, alteration, service or maintenance can cause property damage or personal injury. Installation and service must be performed by a qualified installer and servicing agency.