



VPC MINI

(-3)

Heat Pump Outdoor Units - 60 HZ

COMMERCIAL
PRODUCT SPECIFICATIONS

Bulletin No. 211029

April 2024

Supersedes all previous versions

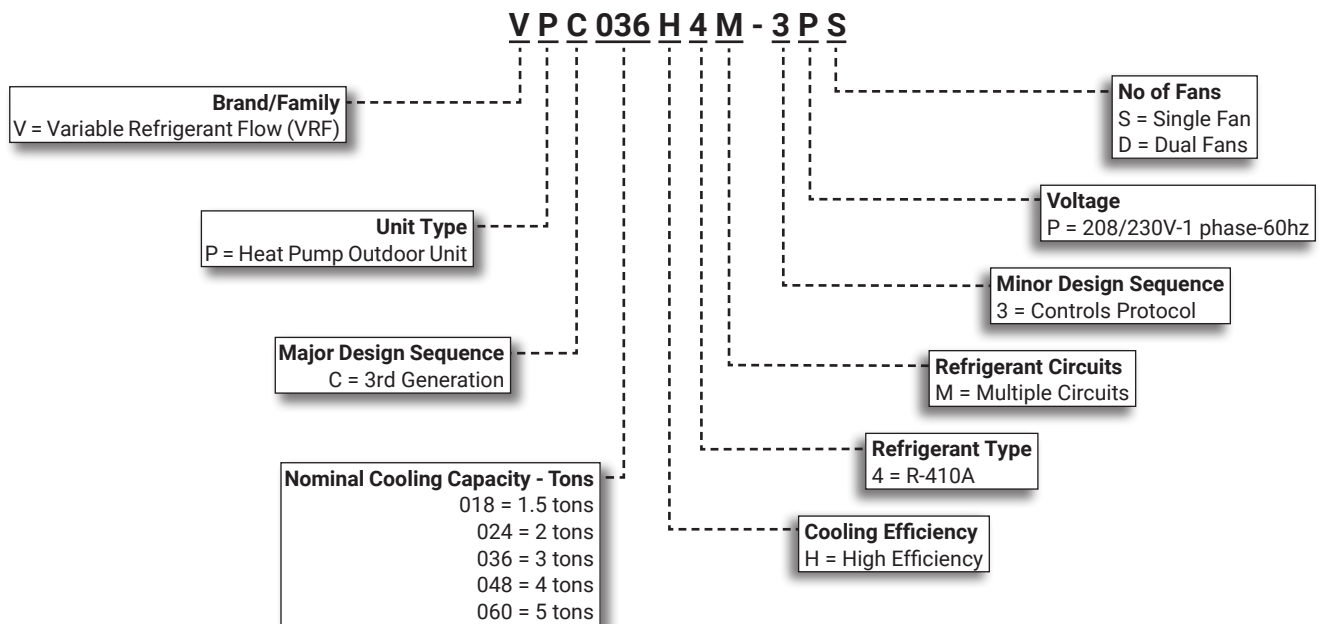


VPC036D thru 060 Heat Pump Outdoor Units



VPC018 thru 036S Heat Pump Outdoor Units

MODEL NUMBER IDENTIFICATION



CONTENTS

Allowable Line Set Diameter With Non-VRF Air Handler Or Coil/Furnace	17
AHRI Ratings	6
- Multi-Zone Systems	6
- Single Zone Systems	6
Approvals And Warranty	2
Branch Pipe Kits.	10
Capacity Tables Index	2
Cooling Capacity	19
Correction Factors - Cooling And Heating	79
Correction Factors - Defrost Derate Capacity	79
Dimensions	7
- VPC018H4M-3P VPC024H4M-3P VPC036H4M-3PS	7
- VPC036H4M-3Pd VPC048H4M-3 VPC060H4M-3P	8
Electrical Data	4
Features And Benefits	3
Header Pipe Kit	10
Heating Capacity	24
Installation Clearances	9
Model Number Identification.	1
Piping Selection	11
- Combination Ratio Indoor Main Pipe.	17
- Outdoor/Indoor Selection.	16
- With Branch Pipe Kit.	11
- With Non-VRF Air Handler Or Coil/Furnace	15
- With One Header Pipe Kit	12
- With Three Header Pipe Kits	14
- With Two Header Pipe Kits	13
Specifications	4

CAPACITY TABLES INDEX

VPC018H4M-3P.	19
VPC024H4M-3P.	29
VPC036H4M-3PS.	39
VPC036H4M-3PD.	49
VPC048H4M-3P.	59
VPC060H4M-3P.	69

APPROVALS AND WARRANTY

APPROVALS

- AHRI Certified to AHRI Standard 210/240-2023
- ETL certified for the U.S. and Canada

WARRANTY

- Compressor and all Covered Components - Limited ten years for qualifying installations

FEATURES AND BENEFITS

OVERVIEW

- Variable-capacity outdoor units modulate the amount of refrigerant needed based on cooling and heating demands allowing for reduced energy usage at partial load conditions
- Heat Pump units provide either heating or cooling to all indoor units

FEATURES

- **Capacity** - Sizes from 1.5 to 5 tons. Up to 9 indoor units can be connected to one refrigeration system
- **Compressor** - Variable rotary compressor features high efficiency operation. Balanced for reduced vibration and quiet operation
 - Brush-less DC motor uses powerful Neodymium magnets, which are approximately 15-20 times stronger than ferrite magnets used in conventional AC compressors
 - Designed for R-410A refrigerant
- **DC Inverter Control** - Provides continuous operation, while adjusting capacity according to room temperature
- **Direct Current Outdoor Fan Motor** - Outdoor unit control varies the speed of the outdoor fan motor based on load and tube temperature for minimum energy consumption
 - Standard on all outdoor unit models
- **Outdoor Fan Grille** - Enhanced design reduces sound levels
- **Outdoor Fan Blade Profile** - Aerodynamically designed fan blade increases the airflow rate and reduces vibration and sound
- **Operation Range** - System will operate at temperatures ranging from 5°F to 122°F in cooling mode and -13°F to 80°F in heating mode
- **High Performance Outdoor Coil** - Special fin design pattern reduces air resistance and increases heat transfer
 - Rifled tubing provides superior refrigerant flow resulting in maximum heat transfer
 - Hydrophilic coating reduces condensate build-up and improves water drainage from coil, enhancing heat transfer properties
- **Flexible Piping Design** - Supports extended refrigerant piping and drop lengths
- **Four Way Valve Control** - Valve effects a rapid change in direction of refrigerant flow resulting in quick changeover from cooling to heating and vice versa
- **Electronic Expansion Valve** - Furnished on all models
- **Refrigerant Line Connections** - Refrigerant line entry is on the front, right-side, back-side and bottom of cabinet
- **Wiring Connections** - Wiring entry is on the right-side of cabinet
- **Condensate Drain Outlets** - furnished on unit base

- **High Pressure Switch** - Shuts off unit if abnormal operating conditions cause the discharge pressure to rise above setting
 - Protects compressor from excessive discharge pressure
 - **Auto and Remote Addressing** - The outdoor unit can automatically distribute addresses to indoor units without any manual settings
 - An optional wireless or wired remote control (not furnished) can be used to inquire and modify each indoor unit's address
 - **Unit Control Board** - Contains all necessary relays and controls to setup, maintain and service the system
 - LED readout aids in system setup, maintenance and servicing
 - LEDs indicate power supply, unit operation, network operation, inverter module operation.
 - **Convenient Communication Wiring** - One set of communication wire is shared among indoor units, outdoor units and the network
 - **Intelligent Soft Start** - Gradually ramps up compressor to speed to conserve energy
 - **Pulse Meter Connections** - Real-time monitoring of energy consumption through the Lennox VRF manager (LVM) Touchscreen Centralized Controller
- NOTE** - Pulse meter is not furnished and must be field provided.
- **Precise Oil Control Technology** - High efficiency centrifugal oil separator (efficiency up to 99%) keeps oil from contaminating high pressure and high temperature refrigerant gas and returns oil to compressor
 - **Control Box** - Contains main control board, DC inverter module, inverter reactor, filter board, outdoor power supply control, DC fan control module, contactor, power transformers and terminal block
 - **Built In Base Pan Heater** - U-shaped heater protects base pan from freezing during low ambient heating operation

OPTIONAL ACCESSORIES

Branch Pipe Kits

- Kit allows connection of multiple indoor units to one outdoor unit
- See page 10 for piping details

Header Pipe Kit

- Kit allows connection of up to four indoor units per kit to one outdoor unit
- See page 10 for piping details

REAL Air Handler Control Kit

- Enables VPC outdoor units to operate Lennox non-VRF air handlers or coil/furnace non-communicating indoor units
- See page 15 for piping details

NOTE - A 24V thermostat is required with the Optional Air Handler Control Kit. Field furnished.

SPECIFICATIONS			SINGLE FAN		
Model			VPC018H4M-3P	VPC024H4M-3P	VPC036H4M-3PS
	Nominal Size - Tons		1.5	2	3
Sound Pressure Level (dBA)	High Speed	Cooling	55	56	59
		Heating	58	59	61
	Low Speed	Cooling	40	40	40
		Heating	40	40	40
Refrigerant	Type		R-410A	R-410A	R-410A
	Charge furnished		6 lbs. 13 oz.	6 lbs. 13 oz.	6 lbs. 13 oz.
Compressor	Type		Twin Rotor	Twin Rotor	Twin Rotor
	No. of Compressors		1	1	1
	Crankcase heater - W		20	20	20
	Refrigerant oil type		RB75EA	RB75EA	RB75EA
	Refrigerant oil charge - oz.		23.7	23.7	23.7
	Connections	Liquid pipe (flare) - in.		3/8	3/8
Gas pipe (flare) - in.		5/8	5/8	5/8	
Total pipe length (actual) - ft.		492	492	492	
Longest pipe length (actual) - ft.		296	296	296	
Piping lengths and heights between indoor and outdoor units		See Piping Selection Details on page 11 - 18			
Outdoor Fan	Quantity, Type and Material		(1) Axial ASG20	(1) Axial ASG20	(1) Axial ASG20
	Diameter - in.		23	23	23
	Total air volume - cfm		3364	3364	3364
Outdoor Coil	Number of rows		2	2	2
	Tube pitch (a) x row pitch (b) - in.		7/8 x 3/4	7/8 x 3/4	7/8 x 3/4
	Fin spacing - in.		1/16	1/16	1/16
	Fin type		Hydrophilic aluminum	Hydrophilic aluminum	Hydrophilic aluminum
	Tube outside diameter - in.		1/4	1/4	1/4
	Tube type		Rifled copper tubing	Rifled copper tubing	Rifled copper tubing
	Coil dimension (L x H) - in.		45 x 31-3/8	45 x 31-3/8	45 x 31-3/8
	Quantity		1	1	1
	Number of circuits		9	9	9
	Design Pressure	PSIG		609	609
Shipping Data	Net/Shipping weight		170/192	170/192	170/192
Connectable Indoor Units	Total capacity (%)		65 to 130	50 to 130	50 to 130
	Maximum quantity		3 units	4 units	5 units

ELECTRICAL DATA					
Model No.			VPC018H4M-3P	VPC024H4M-3P	VPC036H4M-3PS
	Line voltage data - 60 Hz - 1 phase		208/230V	208/230V	208/230V
	¹ Maximum Overcurrent Protection (MOCP) amps		25	25	25
	² Minimum circuit ampacity (MCA)		15	15	20
Compressor	No. of compressors		1	1	1
	Rated load amps		10.6	10.6	14.6
Outdoor Fan Motor	Motor type		DC	DC	DC
	No. of motors		1	1	1
	Full load amps		1.2	1.3	1.7
	Output - W		190	190	190

NOTE - Extremes of operating range are plus and minus 10% of line voltage.

¹ HACR type circuit breaker or fuse.

² Refer to National or Canadian Electrical Code manual to determine wire, fuse and disconnect size requirements.

SPECIFICATIONS			DUAL FANS		
Model			VPC036H4M-3PD	VPC048H4M-3P	VPC060H4M-3P
Nominal Size - Tons			3	4	5
Sound Pressure Level (dBA)	High Speed	Cooling	58	60	60
		Heating	61	62	62
	Low Speed	Cooling	44	44	44
		Heating	44	44	44
Refrigerant	Type	R-410A	R-410A	R-410A	
	Charge furnished	8 lbs. 10 oz.	8 lbs. 10 oz.	8 lbs. 10 oz.	
Compressor	Type	Twin Rotor	Twin Rotor	Twin Rotor	
	No. of Compressors	1	1	1	
	Crankcase heater - W	25	25	25	
	Refrigerant oil type	RB75EA	RB75EA	RB75EA	
	Refrigerant oil charge - oz.	23.7	23.7	23.7	
	Connections	Liquid pipe (flare) - in.	3/8	3/8	3/8
Gas pipe (flare) - in.		3/4	3/4	3/4	
Total pipe length (actual) - ft.		492	492	492	
Longest pipe length (actual) - ft.		296	296	296	
Piping lengths and heights between indoor and outdoor units		See Piping Selection Details on page 11 - 18			
Outdoor Fan	Quantity, Type and Material	(2) Axial ASG20	(2) Axial ASG20	(2) Axial ASG20	
	Diameter - in.	20	20	20	
	Total air volume - cfm	4185	4185	4185	
Outdoor Coil	Number of rows	2	2	2	
	Tube pitch (a) × row pitch (b) - in.	7/8 x 3/4	7/8 x 3/4	7/8 x 3/4	
	Fin spacing - in.	1/16	1/16	1/16	
	Fin type	Hydrophilic aluminum	Hydrophilic aluminum	Hydrophilic aluminum	
	Tube outside diameter - in.	5/16	5/16	5/16	
	Tube type	Rifled copper tubing	Rifled copper tubing	Rifled copper tubing	
	Coil dimension (L × H) - in.	50-1/4 x 34-1/4	50-1/4 x 34-1/4	50-1/4 x 34-1/4	
	Quantity	1	1	1	
	Number of circuits	9	9	9	
Design Pressure	PSIG	650/250	650/250	650/250	
Shipping Data	Net/Shipping weight	212/234	212/234	212/234	
Connectable Indoor Units	Total capacity (%)	50 to 130	50 to 130	50 to 130	
	Maximum quantity	5 units	7 units	9 units	

ELECTRICAL DATA				
Model No.		VPC036H4M-3PD	VPC048H4-3P	VPC060H4-3P
Line voltage data - 60 Hz - 1 phase		208/230V	208/230V	208/230V
¹ Maximum Overcurrent Protection (MOCP) amps		30	40	40
² Minimum circuit ampacity (MCA)		25	28	35
Compressor	No. of compressors	1	1	1
	Rated load amps	18.4	20.8	26.4
Outdoor Fan Motor	Motor type	DC	DC	DC
	No. of motors	2	2	2
	Full load amps	(2) 0.90 + 0.88	(2) 0.90 + 0.88	(2) 0.90 + 0.88
	Output - W	(2) 90 + 90	(2) 90 + 90	(2) 90 + 90

NOTE - Extremes of operating range are plus and minus 10% of line voltage.

¹ HACR type circuit breaker or fuse.

² Refer to National or Canadian Electrical Code manual to determine wire, fuse and disconnect size requirements.

AHRI RATINGS

MULTI-ZONE SYSTEMS

Outdoor Unit Model	System Type	Cooling Capacity	SEER2	EER2	High Heat	HSPF2 (IV)	AHRI Reference Number
VPC018H4M-3P	Non-Duct	18200	19.2	12.5	20000	9.4	212608404
VPC018H4M-3P	Duct	18200	17.15	11.7	20000	8.85	212608405
VPC018H4M-3P	Mixed	18200	18.18	12.1	20000	9.13	212608410
VPC024H4M-3P	Non-Duct	24400	18.8	12.2	26000	9.2	212608406
VPC024H4M-3P	Duct	24400	17.2	10.8	26000	8.85	212608411
VPC024H4M-3P	Mixed	24400	18	11.5	26000	9.03	212608412
VPC036H4M-3PS	Non-Duct	36000	18.4	11.7	40000	9	212608407
VPC036H4M-3PS	Duct	36000	17.4	9.45	40000	8.8	212608413
VPC036H4M-3PS	Mixed	36000	17.9	10.58	40000	8.9	212608414
VPC036H4M-3PD	Non-Duct	36000	19.2	12.1	40000	9.5	212608408
VPC036H4M-3PD	Duct	36000	17.7	11.7	40000	9.2	212608409
VPC036H4M-3PD	Mixed	36000	18.45	11.9	40000	9.35	212608415
VPC048H4M-3P	Non-Duct	48000	19	11	50000	9.3	212608416
VPC048H4M-3P	Duct	48000	17.3	9.4	50000	9	212608417
VPC048H4M-3P	Mixed	48000	18.15	10.2	50000	9.15	212608418
VPC060H4M-3P	Non-Duct	57500	18.8	9.5	60000	9	212608419
VPC060H4M-3P	Duct	57500	17.2	8.9	60000	8.7	212608420
VPC060H4M-3P	Mixed	57500	18	9.2	60000	8.85	212608421

NOTE - Per AHRI, the certified ratings for systems are valid for all combinations of indoor units with the specific outdoor units listed above and in the AHRI Directory of Certified Equipment. Please visit <http://www.ahridirectory.org> for further details and latest updates.

Ratings are AHRI certified to AHRI Standard 210/240;

- Cooling Ratings - 95°F wet bulb/75°F dry bulb outdoor air temperature and 80°F dry bulb/67°F wet bulb entering indoor coil air.
- High Temperature Heating Ratings - 47°F dry bulb/43°F wet bulb outdoor air temperature and 70°F dry bulb/60°F wet bulb entering indoor coil air.
- Low Temperature Heating Ratings - 17°F dry bulb/15°F wet bulb outdoor air temperature and 70°F dry bulb/60°F wet bulb entering indoor coil air.

To convert HSPF from Region IV to Region V - Divide by 1.15.

AHRI RATINGS

SINGLE ZONE SYSTEMS

Outdoor Unit Model	Coil or Air Handler	Furnace	Cooling Capacity	SEER2	EER2	High Heat	HSPF2 (IV)	¹ AHRI Reference Number
VPC018H4M-3P	CBA25UHV-018-230	---	18000	17.4	12.0	18000	7.6	213355279
VPC018H4M-3P	CX35-24B+TDR	ML296UH045XV36B	18000	16.2	12.0	18000	7.5	213804983
VPC018H4M-3P	VWHA018H4-3P	---	18000	16	12	18000	8.5	214068549
VPC024H4M-3P	CBA25UHV-024-230	---	24000	16.2	11.5	23800	7.5	213355280
VPC024H4M-3P	CX35-24B+TDR	ML296UH045XV36B	24000	16.8	11.2	24000	7.5	213804984
VPC024H4M-3P	VWHA024H4-3P	---	24000	15.2	10.6	24000	8.1	214068550
VPC036H4M-3PS	VWHA036H4-3P	---	36000	15	9.6	36000	8.1	214314893
VPC036H4M-3PD	CBA25UHV-036-230	---	36000	16.6	10.7	36000	7.5	213355281
VPC036H4M-3PD	CX35-36B+TDR	ML296UH070XV36B	36000	15.4	10.5	36000	7.5	213804985
VPC036H4M-3PD	VWHA030H4-3P	---	30000	15.2	11	30000	9	214068551
VPC036H4M-3PD	VWHA036H4-3P	---	36000	15.2	10.6	36000	9	214068552
VPC048H4M-3P	CBA25UHV-048-230	---	48000	17.0	10.0	48000	7.9	213355282
VPC048H4M-3P	CX35-48C+TDR	ML296UH090XV48C	47000	16.0	9.5	48000	7.5	213804986
VPC060H4M-3P	CBA25UHV-060-230	---	55000	15.2	8.0	56500	7.8	213355283
VPC060H4M-3P	CX35-50/60C+TDR	ML296UH110XV60C	54000	15.6	8.0	57000	7.5	213804987

¹ Bold Reference Numbers indicate Energy Star approval.

Ratings are AHRI certified to AHRI Standard 210/240;

- Cooling Ratings - 95°F wet bulb/75°F dry bulb outdoor air temperature and 80°F dry bulb/67°F wet bulb entering indoor coil air.
- High Temperature Heating Ratings - 47°F dry bulb/43°F wet bulb outdoor air temperature and 70°F dry bulb/60°F wet bulb entering indoor coil air.
- Low Temperature Heating Ratings - 17°F dry bulb/15°F wet bulb outdoor air temperature and 70°F dry bulb/60°F wet bulb entering indoor coil air.

To convert HSPF from Region IV to Region V - Divide by 1.15.

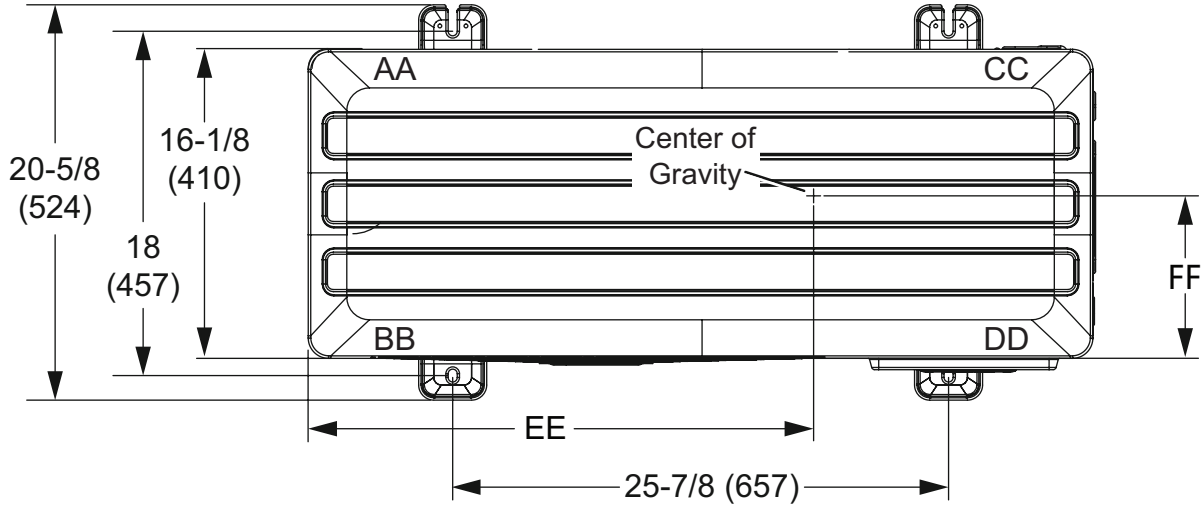
DIMENSIONS

VPC018H4M-3P | VPC024H4M-3P | VPC036H4M-3PS

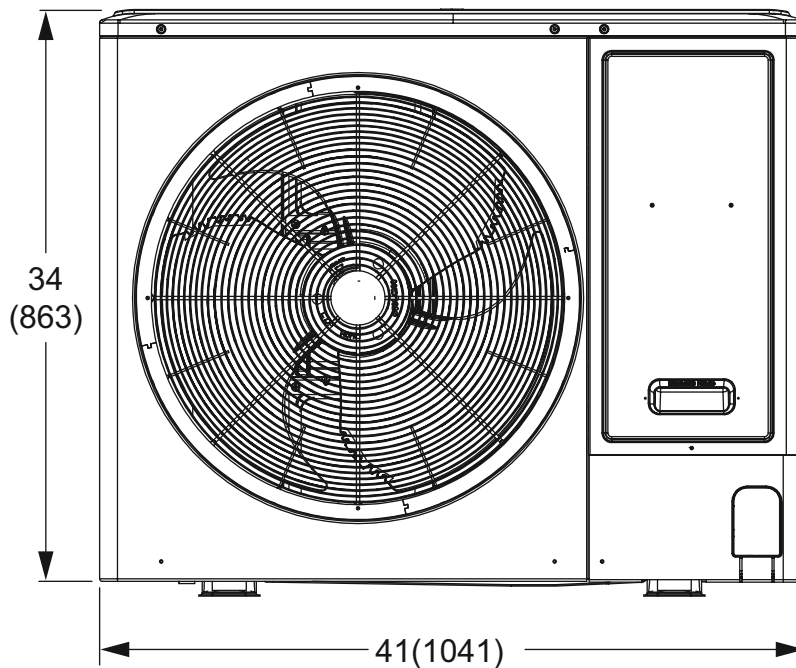
CORNER WEIGHTS

CENTER OF GRAVITY

AA		BB		CC		DD		EE		FF	
lbs.	kg	lbs.	kg	lbs.	kg	lbs.	kg	in.	mm	in.	mm
30	14	28	13	81	37	46	21	28-1/8	714	12-3/8	314



TOP VIEW



FRONT VIEW

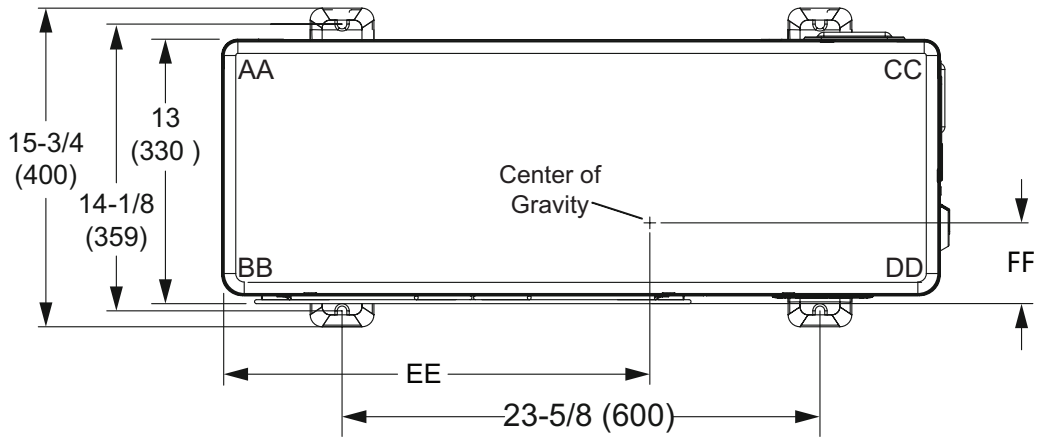
DIMENSIONS

VPC036H4M-3PD | VPC048H4M-3 | VPC060H4M-3P

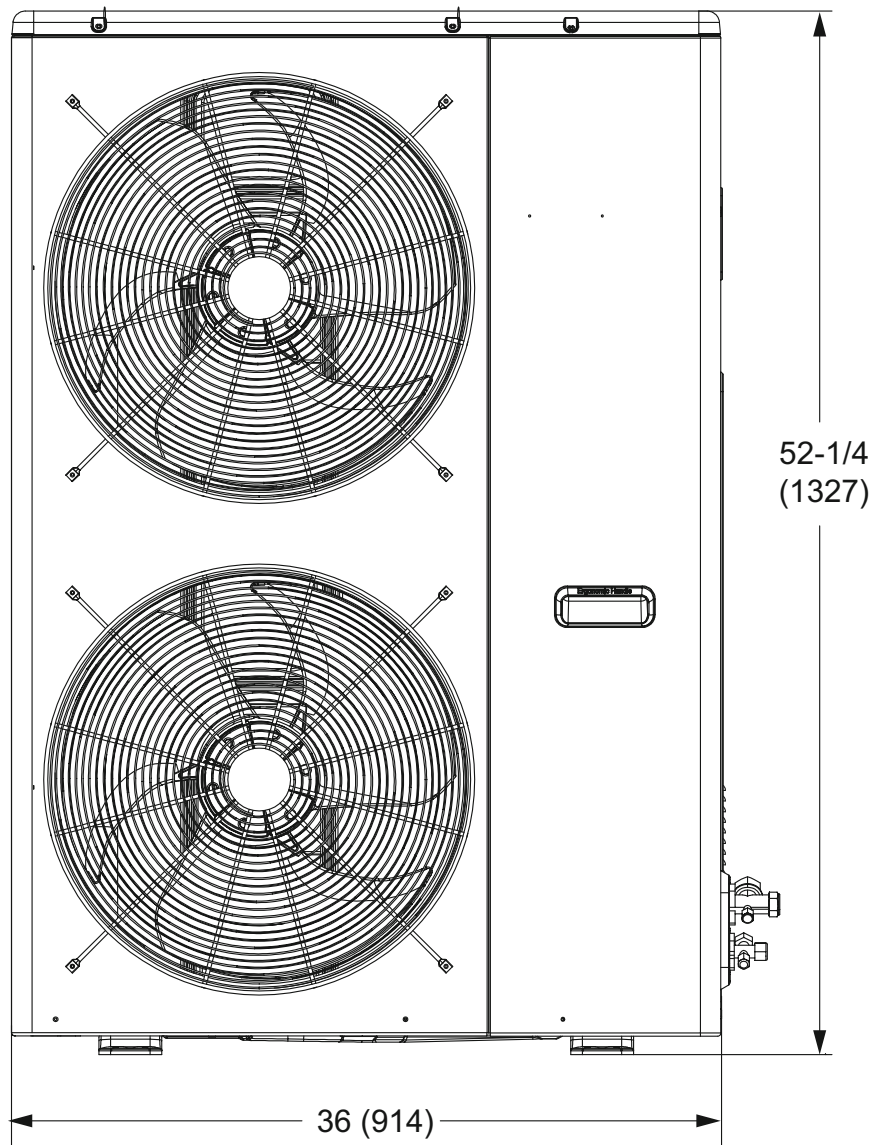
CORNER WEIGHTS

CENTER OF GRAVITY

AA		BB		CC		DD		EE		FF	
lbs.	kg	lbs.	kg	lbs.	kg	lbs.	kg	in.	mm	in.	mm
24	11	66	30	46	21	67	31	20	508	5-3/8	137

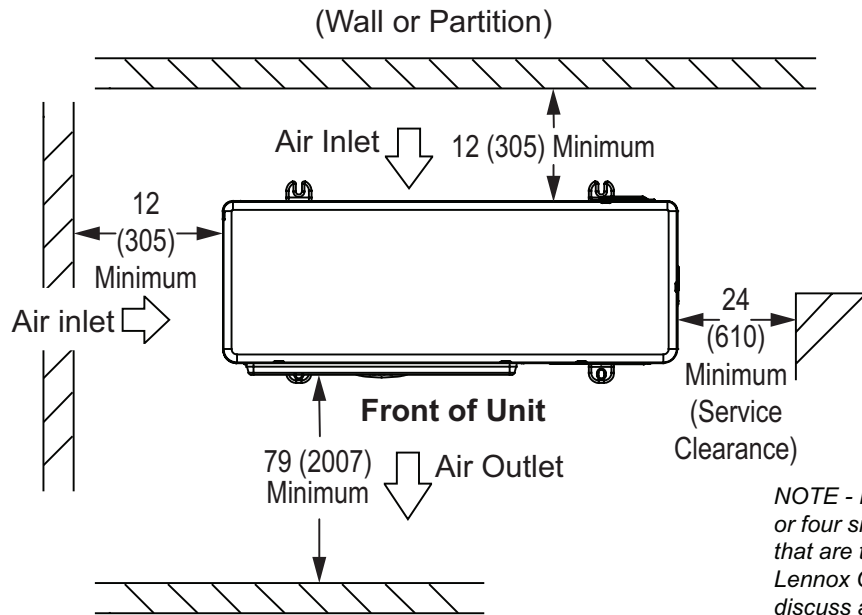


TOP VIEW



FRONT VIEW

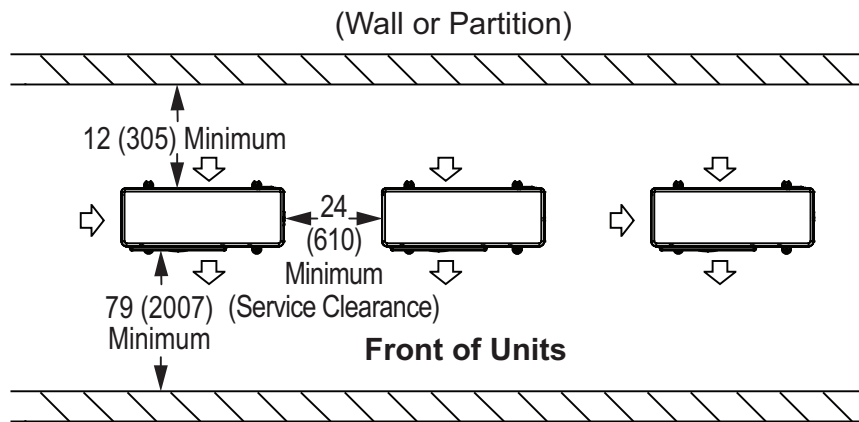
Single Unit Installation



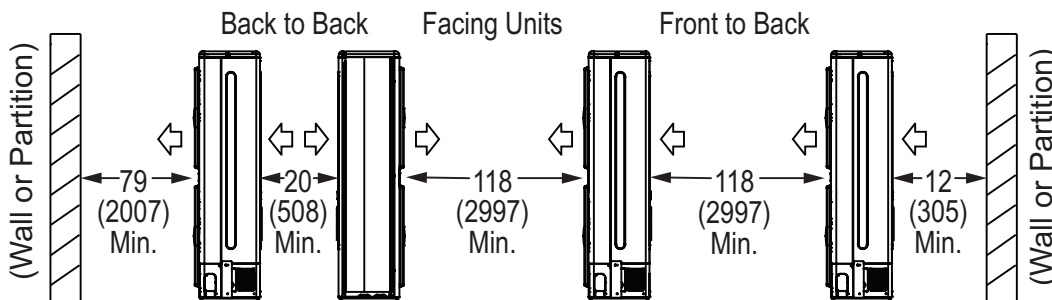
NOTE - If unit is surrounded on three or four sides by walls or partitions that are taller than 10 ft. (3 m), call Lennox Commercial Applications group to discuss additional requirements.

NOTE - 24 in. (610 mm) clearance required on top of unit.

Parallel Units Side by Side



Parallel Units Back to Back, Facing and Front to Back



BRANCH PIPE KITS

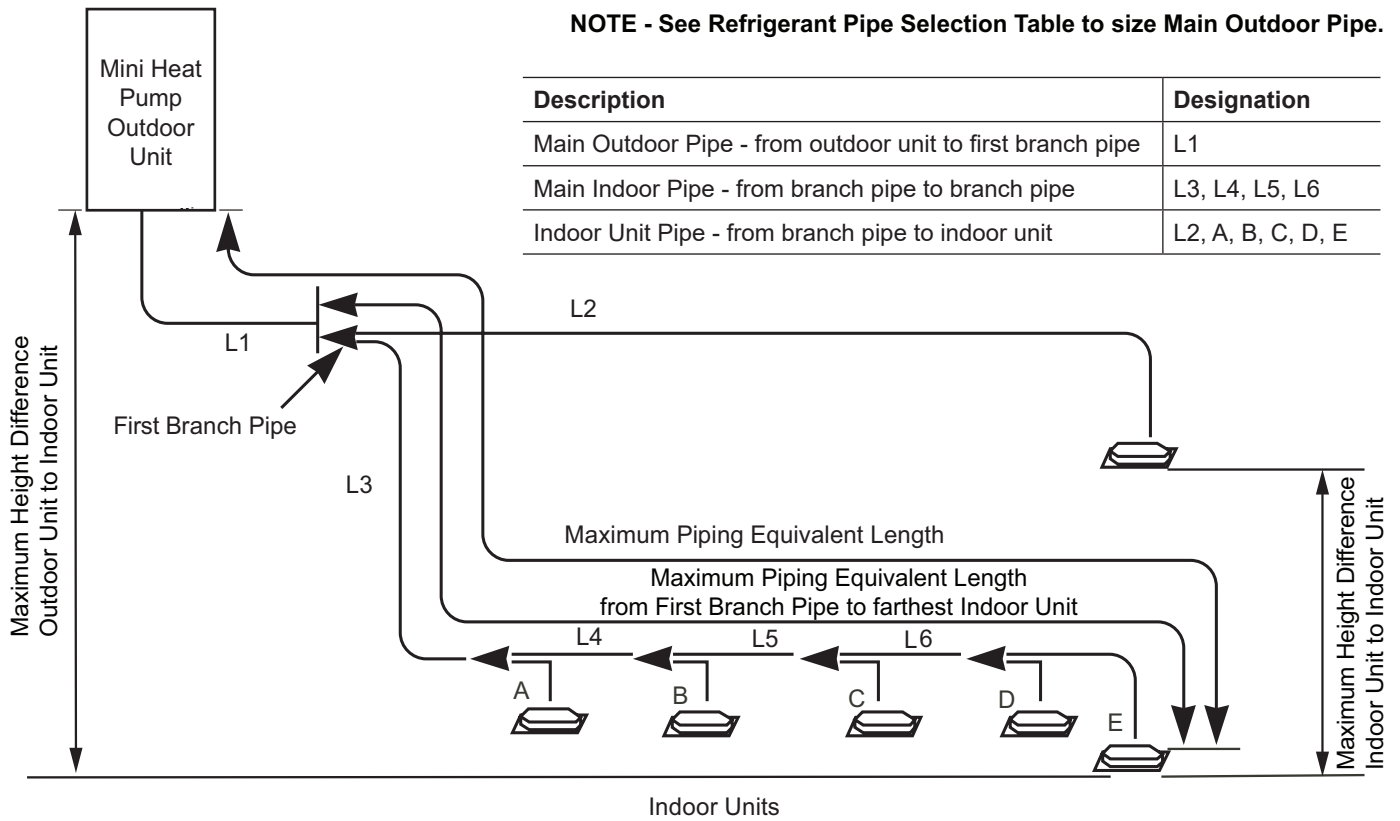
Branch Pipe Kit	Gas Side Joints (inch)	Liquid Side Joints (inch)	Insulation Material (furnished)
V8IDBP01 (12A45)			<p>(2 sets)</p>
V8IDBP02 (12A46)			<p>(2 sets)</p>

HEADER PIPE KIT

Header Pipe Kit	Gas Pipe Header	Liquid Pipe Header	Insulation
Four Port Kit V8HDRK04 (17U29)			

Maximum Permitted Refrigerant Pipe Length and Maximum Height Difference - With Branch Pipe

NOTE - See Refrigerant Pipe Selection Table to size Main Outdoor Pipe.



Description	Designation
Main Outdoor Pipe - from outdoor unit to first branch pipe	L1
Main Indoor Pipe - from branch pipe to branch pipe	L3, L4, L5, L6
Indoor Unit Pipe - from branch pipe to indoor unit	L2, A, B, C, D, E

Length and Maximum Height Difference		Maximum Permitted Length	Piping
Pipe Length	Total Piping Length (Actual)	≤492 ft. (150 m)	L1+L2+L3+L4+L5+L6 +A+B+C+D+E
	Maximum Piping Length	Actual Length	≤296 ft. (90 m)
		Equivalent Length	≤328 ft. (100 m)
Pipe length (from the first line branch pipe to farthest indoor unit)		≤131 ft. (40 m)	L3+L4+L5+L6+E
Maximum Height Difference	Indoor Unit to Outdoor Unit Maximum Height Difference	Outdoor Unit Up	≤164 ft. (50 m)
		Outdoor Unit Down	≤131 ft. (40 m)
	Indoor Unit to Indoor Unit Maximum Height Difference		≤49 ft. (15 m)

NOTE - Each branch pipe equals 20 in. (508 mm) equivalent straight pipe length.

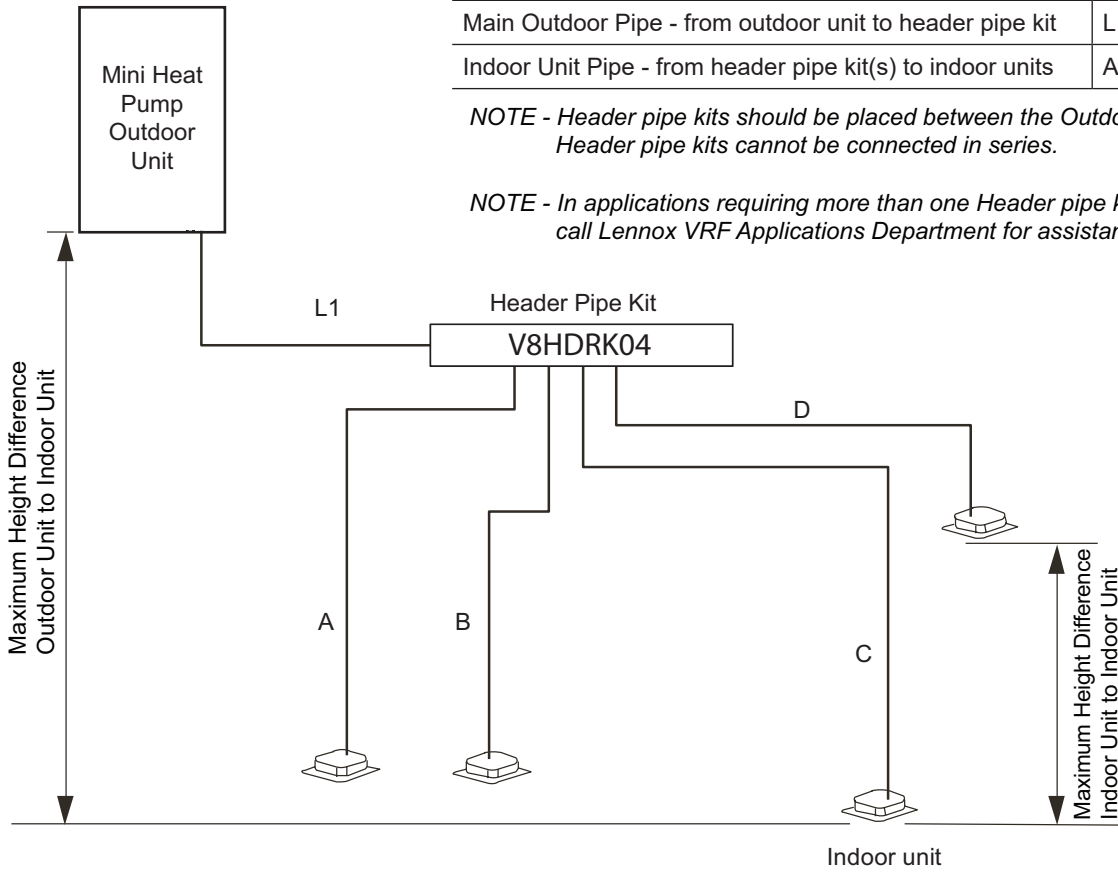
Maximum Permitted Refrigerant Pipe Length and Maximum Height Difference - With One Header Pipe Kit

NOTE - See Refrigerant Pipe Selection Table to size Main Outdoor Pipe.

Description	Designation
Main Outdoor Pipe - from outdoor unit to header pipe kit	L1
Indoor Unit Pipe - from header pipe kit(s) to indoor units	A, B, C, D

NOTE - Header pipe kits should be placed between the Outdoor Unit and Indoor Units. Header pipe kits cannot be connected in series.

NOTE - In applications requiring more than one Header pipe kit, call Lennox VRF Applications Department for assistance.



Length and Maximum Height Difference		Maximum Permitted Length	Piping
Pipe Length	Total Piping Length (Actual)	≤492 ft. (150 m)	L1+A+B+C+D
	Maximum Piping Length	Actual Length	≤296 ft. (90 m)
		Equivalent Length	≤328 ft. (100 m)
	Pipe length (from the header pipe kit to each indoor unit)	65.6 ft. (20 m)	A, B, C, D ≤ 65.6 ft. (20 m) each
Maximum Height Difference	Indoor Unit to Outdoor Unit Maximum Height Difference	Outdoor Unit Up	≤164 ft. (50 m)
		Outdoor Unit Down	≤131 ft. (40 m)
	Indoor Unit to Indoor Unit Maximum Height Difference	≤49 ft. (15 m)	---

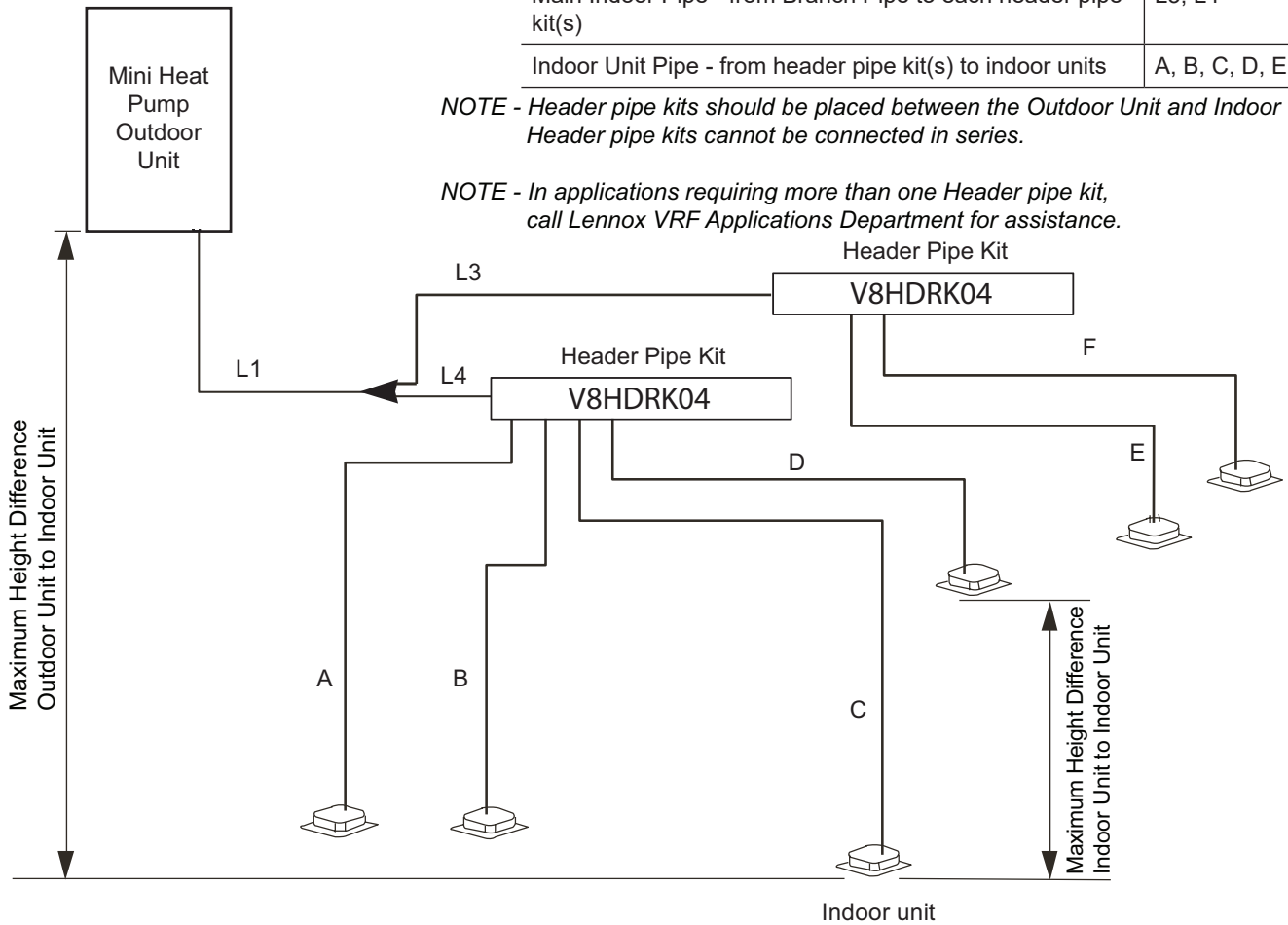
Maximum Permitted Refrigerant Pipe Length and Maximum Height Difference - With Two Header Pipe Kits

NOTE - See Refrigerant Pipe Selection Table to size Main Outdoor Pipe.

Description	Designation
Main Outdoor Pipe - from outdoor unit to first Branch Pipe	L1
Main Indoor Pipe - from Branch Pipe to each header pipe kit(s)	L3, L4
Indoor Unit Pipe - from header pipe kit(s) to indoor units	A, B, C, D, E, F

NOTE - Header pipe kits should be placed between the Outdoor Unit and Indoor Units. Header pipe kits cannot be connected in series.

NOTE - In applications requiring more than one Header pipe kit, call Lennox VRF Applications Department for assistance.



Length and Maximum Height Difference		Maximum Permitted Length	Piping	
Pipe Length	Total Piping Length (Actual)	≤492 ft. (150 m)	L1+A+B+C+D+E+F+L3+L4	
	Maximum Piping Length	Actual Length	≤296 ft. (90 m)	
		Equivalent Length	≤328 ft. (100 m)	L1+L4+A, L1+L4+B, L1+L4+C, L1+L4+D, L1+L3+E, L1+L3+F
Pipe length from the first Branch Pipe to each indoor unit.	65.6 ft. (20 m)	L4+A, L4+B, L4+C, L4+D, L3+E, L3+F ≤ 65.6 ft. (20 m) each		
Maximum Height Difference	Indoor Unit to Outdoor Unit Maximum Height Difference	Outdoor Unit Up	≤164 ft. (50 m)	---
		Outdoor Unit Down	≤131 ft. (40 m)	---
	Indoor Unit to Indoor Unit Maximum Height Difference	≤49 ft. (15 m)	---	

NOTE - Each branch pipe equals 20 in. (508 mm) equivalent straight pipe length.

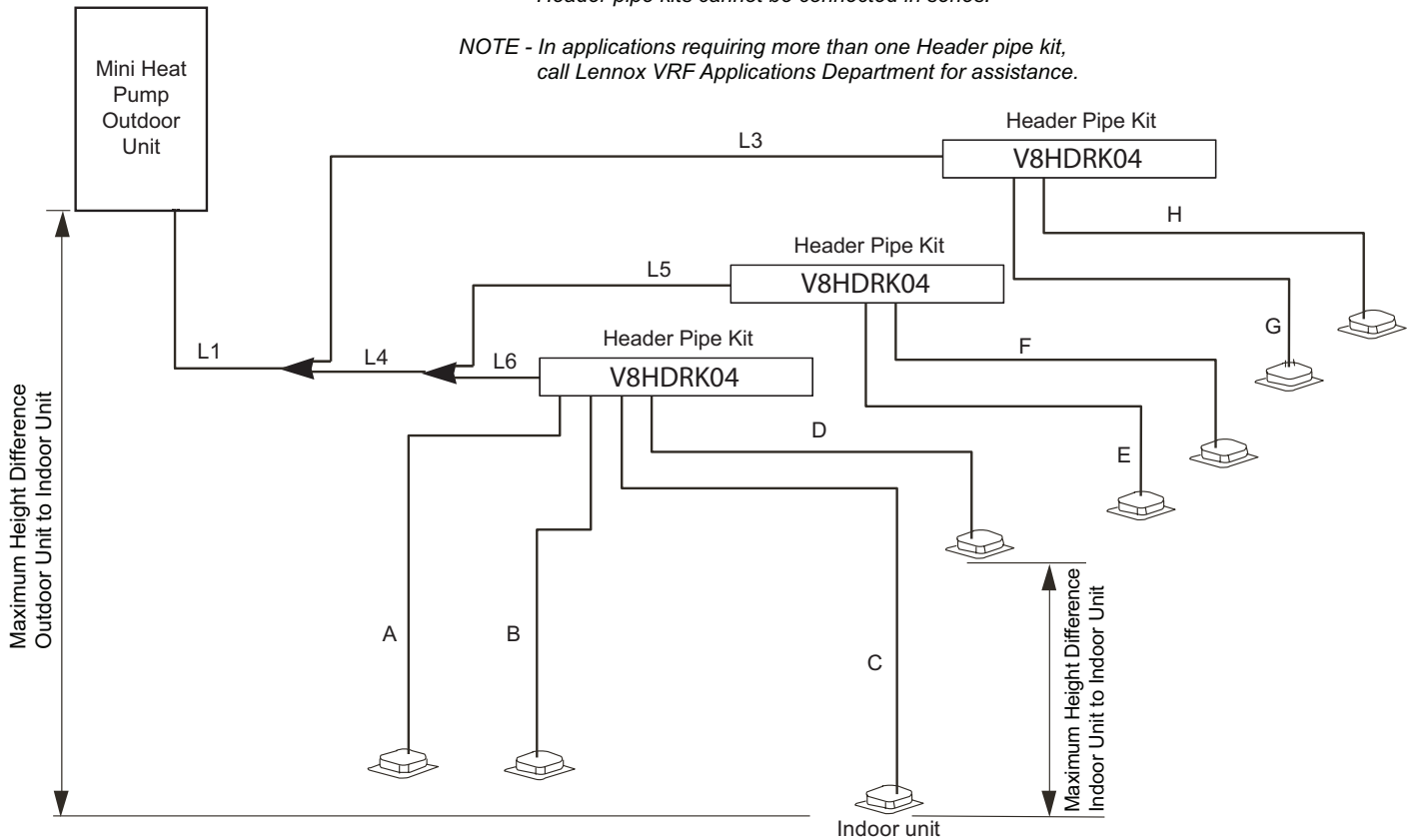
Maximum Permitted Refrigerant Pipe Length and Maximum Height Difference - With Three Header Pipe Kits

NOTE - See Refrigerant Pipe Selection Table to size Main Outdoor Pipe.

Description	Designation
Main Outdoor Pipe - from outdoor unit to first Branch Pipe	L1
Main Indoor Pipe - from Branch Pipe to each header pipe kit(s) or Branch Pipe	L3, L4, L5, L6
Indoor Unit Pipe - from header pipe kit(s) to indoor units	A, B, C, D, E, F, G, H

*NOTE - Header pipe kits should be placed between the Outdoor Unit and Indoor Units.
Header pipe kits cannot be connected in series.*

*NOTE - In applications requiring more than one Header pipe kit,
call Lennox VRF Applications Department for assistance.*



Length and Maximum Height Difference		Maximum Permitted Length	Piping	
Pipe Length	Total Piping Length (Actual)	≤492 ft. (150 m)	L1+A+B+C+D+E+F+G+H+L3+L4+L5+L6	
	Maximum Piping Length	Actual Length	≤296 ft. (90 m)	L1+L4+L6+A, L1+L4+L6+B, L1+L4+L6+C, L1+L4+L6+D, L1+L4+L5+E, L1+L4+L5+F, L1+L3+H, L1+L3+G
		Equivalent Length	≤328 ft. (100 m)	
Pipe length from the first Branch Pipe to each indoor unit.		65.6 ft. (20 m)	L4+L6+A, L4+L6+B, L4+L6+C, L4+L6+D, L4+L5+E, L4+L5+F, L3+H, L3+G ≤ 65.6 ft. (20 m) each	
Maximum Height Difference	Indoor Unit to Outdoor Unit Maximum Height Difference	Outdoor Unit Up	≤164 ft. (50 m)	---
		Outdoor Unit Down	≤131 ft. (40 m)	---
	Indoor Unit to Indoor Unit Maximum Height Difference	≤49 ft. (15 m)	---	

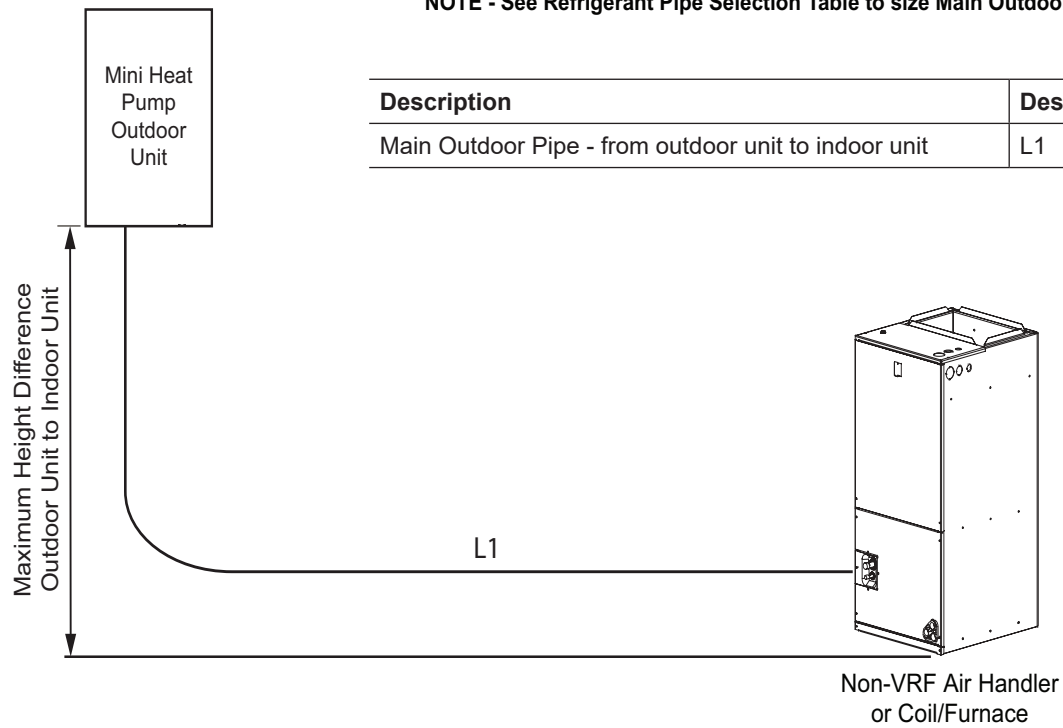
NOTE - Each branch pipe equals 20 in. (508 mm) equivalent straight pipe length

PIPING SELECTION

WITH NON-VRF AIR HANDLER OR COIL/FURNACE

Maximum Permitted Refrigerant Pipe Length and Maximum Height Difference - With Non-VRF Air Handler or Coil/Furnace

NOTE - See Refrigerant Pipe Selection Table to size Main Outdoor Pipe.



Description	Designation
Main Outdoor Pipe - from outdoor unit to indoor unit	L1

Length and Maximum Height Difference			Maximum Permitted Length	Piping
Pipe Length	Maximum Piping Length	Actual Length	≤164 ft. (50 m)	L1
		Equivalent Length	≤180 ft. (55 m)	
Maximum Height Difference	Indoor Unit to Indoor Unit Maximum Height Difference		≤98 ft. (30 m)	- - -

NOTE - The air handler or coil/furnace unit must have a furnished thermostatic expansion valve.

MAIN OUTDOOR UNIT PIPE (L1) DIAMETER AND PIPE LENGTH BASED ON TOTAL CAPACITY

Model No.	Liquid Pipe Length	Main Gas Pipe Diameter Required	Main Liquid Pipe Diameter Required	Maximum Number of Indoor Units	Indoor Unit Branch Pipe
VPC018H4M-3P	Less than 148 ft. (45 m)	5/8 in.	3/8 in.	3	V8IDBP01
	More than 148 ft. (45 m)	5/8 in.	3/8 in.		
VPC024H4M-3P	Less than 148 ft. (45 m)	5/8 in.	3/8 in.	4	
	More than 148 ft. (45 m)	5/8 in.	3/8 in.		
VPC036H4M-3PS	Less than 148 ft. (45 m)	5/8 in.	3/8 in.	5	
	More than 148 ft. (45 m)	¹ 3/4 in.	3/8 in.		
VPC036H4M-3PD	Less than 148 ft. (45 m)	¹ 5/8 in.	3/8 in.	5	
	More than 148 ft. (45 m)	3/4 in.	3/8 in.		
VPC048H4M-3P	Less than 148 ft. (45 m)	¹ 5/8 in.	3/8 in.	7	
	More than 148 ft. (45 m)	3/4 in.	3/8 in.		
VPC060H4M-3P	Less than 148 ft. (45 m)	3/4 in.	3/8 in.	9	V8IDBP01
	More than 148 ft. (45 m)	² 7/8 in.	3/8 in.		V8IDBP02

¹ Field provided 5/8 x 3/4 in. adaptor required for gas pipe connection.

² Field provided 3/4 x 7/8 in. adaptor required for gas pipe connection.

INDOOR PIPE SELECTION FOR VRF INDOOR UNITS (L2, A, B, C, D, E, F, G, H)

Indoor Unit Type	Indoor Unit Size	Gas Pipe Diameter	Liquid Pipe Diameter
V22B Compact 360° Cassette	007, 009, 012, 015	1/2 in.	1/4 in.
V33B High Efficiency 360° Cassette	009, 012, 015	1/2 in.	1/4 in.
	018, 024, 030, 036, 048	5/8 in.	3/8 in.
VOWA One-Way Cassette	007, 009, 012, 015	1/2 in.	1/4 in.
	018, 024	5/8 in.	3/8 in.
VCFB Ceiling/Floor Mount Non-Ducted	012, 015	1/2 in.	1/4 in.
	018, 024, 030, 036, 048	5/8 in.	3/8 in.
VHIB Concealed High Static Ducted	012, 015	1/2 in.	1/4 in.
	024, 030, 036, 048, 054	5/8 in.	3/8 in.
	072	7/8 in.	3/8 in.
VOSB Outside Air Unit	036, 048, 054	5/8 in.	3/8 in.
VMDB Concealed Medium Static Ducted	007, 009, 012, 015	1/2 in.	1/4 in.
	018, 024, 030, 036, 048	5/8 in.	3/8 in.
VSCA/VSEA Floor Standing Units (Cased/Exposed)	007, 009, 012, 015, 018	1/2 in.	1/4 in.
	024	5/8 in.	3/8 in.
	012	1/2 in.	1/4 in.
VVCB Vertical Air Handler	018, 024, 030, 036, 048, 054	5/8 in.	3/8 in.
	060	7/8 in.	3/8 in.
	007, 009, 012, 015	1/2 in.	1/4 in.
VWMB Wall-Mounted Non-Ducted	018, 024, 030	5/8 in.	3/8 in.
	018, 024, 030, 036	3/4 in.	3/8 in.

NOTE - If the total capacity of the indoor units is greater than 100% of the capacity of the outdoor unit, individual indoor unit capacities will be reduced.

INDOOR UNIT COMBINATION RATIO

Indoor Units	Combination Ratio	Total Piping Length
Standard indoor units (Except VVCB and VHIB)	≤ 100%	< 492 ft.
Standard indoor units (Includes VVCB or VHIB)	≤ 100%	< 492 ft.
	100% - 130%	< 328 ft.
Contains Air Handler Control Kit	≤ 100%	< 492 ft.
Only VOSB indoor unit	≤ 100%	< 492 ft.
VOSB and other types of indoor units	Not allowed	Not allowed
VVCB Vertical Air Handler	≤ 100%	< 164

NOTE - Minimum combination ratio of VPC018H4M is 65%, all others are 50%.

INDOOR MAIN PIPE SELECTION (L3, L4, L5, L6)

Downstream Indoor Unit Capacity (Btuh)	Gas Pipe Diameter	Liquid Pipe Diameter	Indoor Unit Branch Pipe
A < 56,700	5/8 in.	3/8 in.	V8IDBP01
56,700 ≤ 78,500	3/4 in.	3/8 in.	V8IDBP01

ALLOWABLE LINE SET DIAMETER WITH NON-VRF AIR HANDLER OR COIL/FURNACE

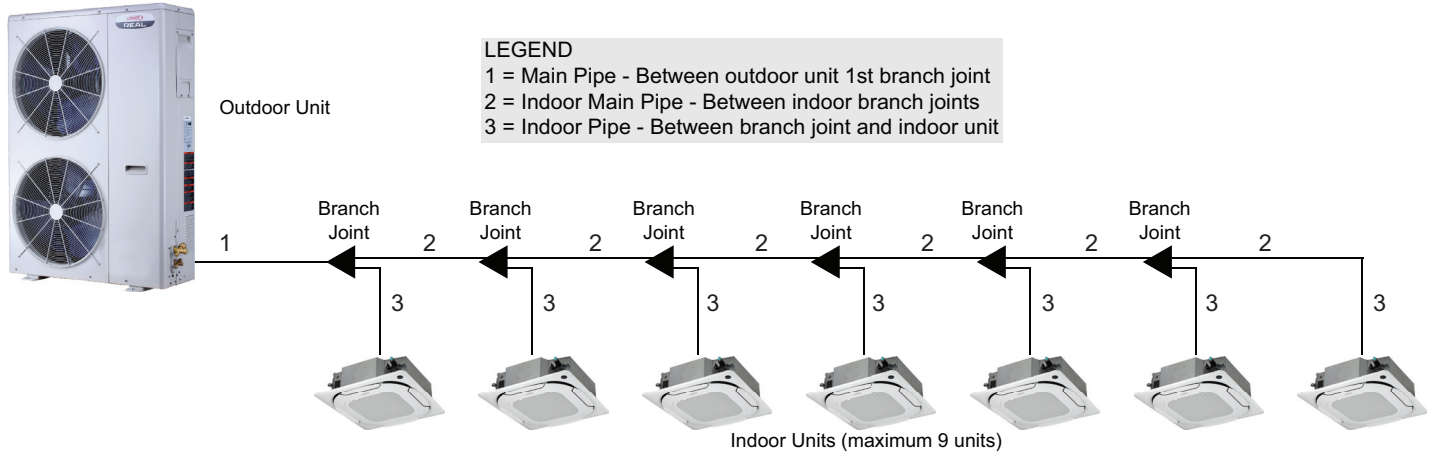
ALLOWABLE LINE SET DIAMETER FROM EXISTING SYSTEM WITH NON-VRF AIR HANDLER OR COIL/FURNACE

Model No.	Outdoor Unit		Existing Line Sets						
	Gas Pipe Connection	Liquid Pipe Connection	Gas Pipe Existing Line Set Diameter				Liquid Pipe Existing Line Set Diameter		
			5/8 in.	3/4 in.	7/8 in.	1-1/8 in.	1/4 in.	5/16 in.	3/8 in.
VPC018H4M-3P	3/4 in.	3/8 in.	¹ •	•	N/A	N/A	⁴ •	⁵ •	•
VPC024H4M-3P	3/4 in.	3/8 in.	¹ •	•	N/A	N/A	N/A	⁵ •	•
VPC036H4M-3PS	3/4 in.	3/8 in.	N/A	•	N/A	N/A	N/A	⁵ •	•
VPC036H4M-3PD	3/4 in.	3/8 in.	N/A	•	² •	N/A	N/A	N/A	•
VPC048H4M-3P	7/8 in.	3/8 in.	N/A	N/A	•	³ •	N/A	N/A	•
VPC060H4M-3P	7/8 in.	3/8 in.	N/A	N/A	•	³ •	N/A	N/A	•

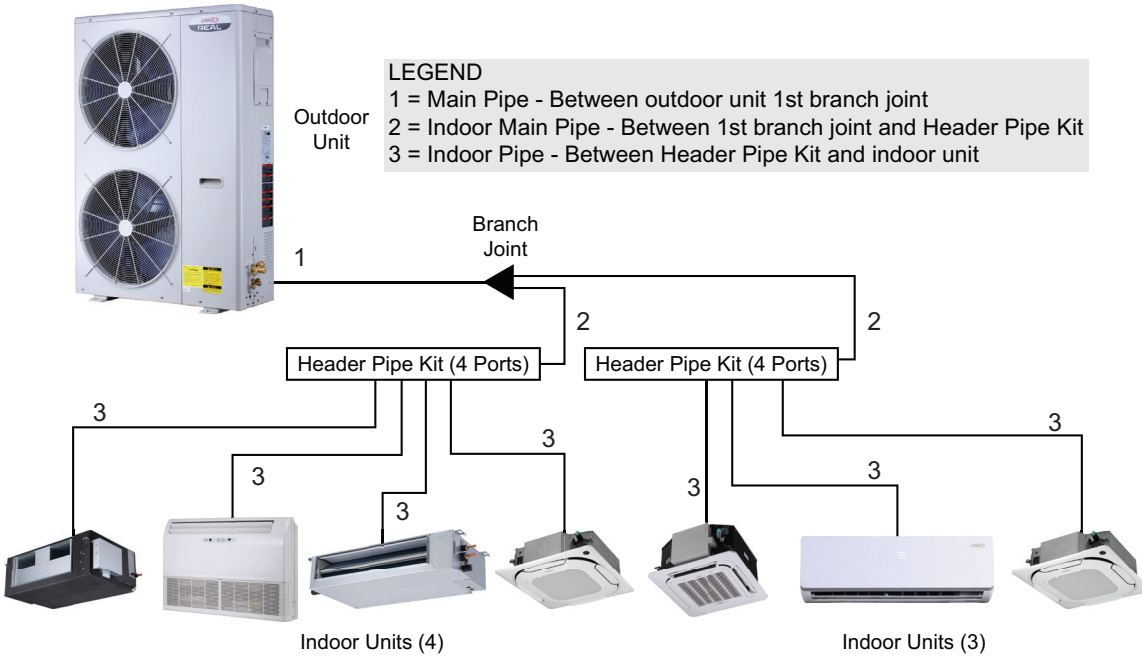
¹ Field provided 3/4 x 5/8 in. adaptor required for gas (vapor) pipe connection to outdoor unit.
² Field provided 3/4 x 7/8 in. adaptor required for gas (vapor) pipe connection to outdoor unit.
³ Field provided 7/8 x 1-1/8 in. adaptor required for gas (vapor) pipe connection to outdoor unit.
⁴ Field provided 3/8 x 1/4 in. adaptor required for liquid pipe connection to outdoor unit.
⁵ Field provided 3/8 x 5/16 in. adaptor required for liquid pipe connection to outdoor unit.

PIPING SELECTION

SYSTEM PIPING WITH BRANCH JOINTS



SYSTEM PIPING WITH TWO BRANCH BOXES



COOLING CAPACITY

VPC018H4M-3P

Combination (%)	Outdoor Temperature °F (Dry Bulb)	Indoor Temperature - °F (Dry Bulb / Wet Bulb)											
		67 / 57		71 / 60		75 / 63		80 / 67		85 / 71		90 / 75	
		Total Cap. MBH	Power Input kW	Total Cap. MBH	Power Input kW	Total Cap. MBH	Power Input kW	Total Cap. MBH	Power Input kW	Total Cap. MBH	Power Input kW	Total Cap. MBH	Power Input kW
130%	5	13.9	0.5	17.0	0.6	19.8	0.7	23.7	0.8	27.7	0.9	31.6	1.0
	10	13.9	0.5	17.0	0.6	19.8	0.7	23.7	0.8	27.7	0.9	31.6	1.0
	14	13.9	0.5	17.0	0.6	19.8	0.7	23.7	0.8	27.7	0.9	31.6	1.0
	18	13.9	0.5	17.0	0.6	19.8	0.7	23.7	0.8	27.7	0.9	31.6	1.0
	23	13.9	0.5	17.0	0.6	19.8	0.7	23.7	0.8	27.7	0.9	31.6	1.0
	28	13.9	0.5	17.0	0.6	19.8	0.7	23.7	0.8	27.7	0.9	31.6	1.0
	32	13.9	0.5	17.0	0.6	19.8	0.7	23.7	0.8	27.7	0.9	31.6	1.0
	36	13.9	0.5	17.0	0.6	19.8	0.6	23.7	0.7	27.7	0.9	31.6	1.0
	39	13.9	0.5	17.0	0.6	19.8	0.6	23.7	0.7	27.7	0.9	31.6	1.0
	43	13.9	0.5	17.0	0.6	19.8	0.6	23.7	0.7	27.7	0.9	31.6	1.0
	46	13.9	0.5	17.0	0.6	19.8	0.6	23.7	0.8	27.7	0.9	31.6	1.0
	50	13.9	0.5	17.0	0.6	19.8	0.7	23.7	0.8	27.7	0.9	31.6	1.0
	54	13.9	0.5	17.0	0.6	19.8	0.7	23.7	0.8	27.7	0.9	31.6	1.1
	57	13.9	0.5	17.0	0.6	19.8	0.7	23.7	0.8	27.7	1.0	31.6	1.1
	61	13.9	0.5	17.0	0.6	19.8	0.7	23.7	0.8	27.7	1.0	31.6	1.2
	64	13.9	0.5	17.0	0.6	19.8	0.7	23.7	0.9	27.7	1.1	31.6	1.3
	68	13.9	0.6	17.0	0.7	19.8	0.8	23.7	1.0	27.7	1.2	31.6	1.4
	70	13.9	0.6	17.0	0.8	19.8	0.9	23.7	1.1	27.7	1.3	31.6	1.5
	73	13.9	0.7	17.0	0.8	19.8	1.0	23.7	1.2	27.7	1.4	31.6	1.7
	77	13.9	0.8	17.0	0.9	19.8	1.1	23.7	1.3	27.7	1.6	31.6	1.8
	81	13.9	0.8	17.0	1.0	19.8	1.2	23.7	1.4	27.7	1.7	31.6	2.0
	84	13.9	0.9	17.0	1.1	19.8	1.3	23.7	1.6	27.7	1.9	31.6	2.2
88	13.9	1.0	17.0	1.2	19.8	1.4	23.7	1.7	27.7	2.1	31.6	2.4	
91	13.9	1.1	17.0	1.3	19.8	1.5	23.7	1.9	27.7	2.3	31.6	2.7	
95	13.9	1.2	17.0	1.4	19.8	1.7	23.7	2.0	27.7	2.5	31.6	2.9	
99	13.9	1.3	17.0	1.6	19.8	1.8	23.7	2.2	27.7	2.7	31.6	3.2	
102	13.9	1.4	17.0	1.7	19.8	2.0	23.7	2.4	27.7	2.9	31.6	3.5	
106	13.9	1.5	17.0	1.9	19.8	2.2	23.7	2.6	27.7	3.2	31.6	3.8	
109	13.9	1.7	17.0	2.0	19.8	2.4	23.7	2.9	27.7	3.5	31.6	4.2	
113	13.9	1.8	17.0	2.2	19.8	2.6	23.7	3.1	27.7	3.8	30.4	4.3	
118	13.9	2.1	17.0	2.5	19.8	2.9	23.7	3.6	27.1	4.2	27.5	4.0	
122	13.9	2.3	17.0	2.7	19.8	3.2	23.1	3.8	23.4	3.6	23.8	3.4	
120%	5	12.9	0.5	15.6	0.5	18.3	0.6	21.8	0.7	25.6	0.9	29.2	1.0
	10	12.9	0.5	15.6	0.5	18.3	0.6	21.8	0.7	25.6	0.8	29.2	0.9
	14	12.9	0.5	15.6	0.5	18.3	0.6	21.8	0.7	25.6	0.8	29.2	0.9
	18	12.9	0.5	15.6	0.5	18.3	0.6	21.8	0.7	25.6	0.8	29.2	0.9
	23	12.9	0.4	15.6	0.5	18.3	0.6	21.8	0.7	25.6	0.8	29.2	0.9
	28	12.9	0.4	15.6	0.5	18.3	0.6	21.8	0.7	25.6	0.8	29.2	0.9
	32	12.9	0.4	15.6	0.5	18.3	0.6	21.8	0.7	25.6	0.8	29.2	0.9
	36	12.9	0.4	15.6	0.5	18.3	0.6	21.8	0.7	25.6	0.8	29.2	0.9
	39	12.9	0.4	15.6	0.5	18.3	0.6	21.8	0.7	25.6	0.8	29.2	0.9
	43	12.9	0.5	15.6	0.5	18.3	0.6	21.8	0.7	25.6	0.8	29.2	0.9
	46	12.9	0.4	15.6	0.5	18.3	0.6	21.8	0.7	25.6	0.8	29.2	0.9
	50	12.9	0.4	15.6	0.5	18.3	0.6	21.8	0.7	25.6	0.8	29.2	1.0
	54	12.9	0.4	15.6	0.5	18.3	0.6	21.8	0.7	25.6	0.8	29.2	1.0
	57	12.9	0.4	15.6	0.5	18.3	0.6	21.8	0.7	25.6	0.9	29.2	1.0
	61	12.9	0.4	15.6	0.5	18.3	0.6	21.8	0.8	25.6	0.9	29.2	1.1
	64	12.9	0.5	15.6	0.6	18.3	0.7	21.8	0.8	25.6	1.0	29.2	1.1
	68	12.9	0.6	15.6	0.7	18.3	0.8	21.8	0.9	25.6	1.1	29.2	1.3
	70	12.9	0.6	15.6	0.7	18.3	0.8	21.8	0.9	25.6	1.1	29.2	1.3
	73	12.9	0.6	15.6	0.8	18.3	0.9	21.8	1.0	25.6	1.3	29.2	1.5
	77	12.9	0.7	15.6	0.8	18.3	1.0	21.8	1.1	25.6	1.4	29.2	1.6
	81	12.9	0.8	15.6	0.9	18.3	1.1	21.8	1.3	25.6	1.5	29.2	1.8
	84	12.9	0.9	15.6	1.0	18.3	1.2	21.8	1.4	25.6	1.7	29.2	2.0
88	12.9	0.9	15.6	1.1	18.3	1.3	21.8	1.5	25.6	1.8	29.2	2.2	
91	12.9	1.0	15.6	1.2	18.3	1.4	21.8	1.7	25.6	2.0	29.2	2.4	
95	12.9	1.1	15.6	1.3	18.3	1.5	21.8	1.8	25.6	2.2	29.2	2.6	
99	12.9	1.2	15.6	1.4	18.3	1.7	21.8	2.0	25.6	2.4	29.2	2.8	
102	12.9	1.3	15.6	1.6	18.3	1.8	21.8	2.2	25.6	2.6	29.2	3.1	
106	12.9	1.4	15.6	1.7	18.3	2.0	21.8	2.4	25.6	2.9	29.2	3.4	
109	12.9	1.5	15.6	1.8	18.3	2.1	21.8	2.6	25.6	3.1	29.2	3.7	
113	12.9	1.7	15.6	2.0	18.3	2.3	21.8	2.8	25.6	3.4	29.2	4.0	
118	12.9	1.9	15.6	2.3	18.3	2.7	21.8	3.2	25.6	3.9	27.4	4.1	
122	12.9	2.1	15.6	2.5	18.3	2.9	21.8	3.5	23.3	3.7	23.6	3.5	

NOTE - Power Input = Compressor + Outdoor Fan Motor.
 MBH = 1000 BTUs per hour.

COOLING CAPACITY

VPC018H4M-3P

Combination (%)	Outdoor Temperature °F (Dry Bulb)	Indoor Temperature - °F (Dry Bulb / Wet Bulb)											
		67 / 57		71 / 60		75 / 63		80 / 67		85 / 71		90 / 75	
		Total Cap. MBH	Power Input kW	Total Cap. MBH	Power Input kW	Total Cap. MBH	Power Input kW	Total Cap. MBH	Power Input kW	Total Cap. MBH	Power Input kW	Total Cap. MBH	Power Input kW
110%	5	11.8	0.4	14.3	0.5	16.7	0.6	20.0	0.7	23.5	0.8	26.7	0.9
	10	11.8	0.4	14.3	0.5	16.7	0.6	20.0	0.7	23.5	0.8	26.7	0.9
	14	11.8	0.4	14.3	0.5	16.7	0.6	20.0	0.7	23.5	0.8	26.7	0.8
	18	11.8	0.4	14.3	0.5	16.7	0.6	20.0	0.7	23.5	0.8	26.7	0.9
	23	11.8	0.4	14.3	0.5	16.7	0.6	20.0	0.7	23.5	0.7	26.7	0.8
	28	11.8	0.4	14.3	0.5	16.7	0.6	20.0	0.6	23.5	0.7	26.7	0.8
	32	11.8	0.4	14.3	0.5	16.7	0.6	20.0	0.6	23.5	0.7	26.7	0.8
	36	11.8	0.4	14.3	0.5	16.7	0.6	20.0	0.7	23.5	0.7	26.7	0.8
	39	11.8	0.4	14.3	0.5	16.7	0.6	20.0	0.6	23.5	0.7	26.7	0.8
	43	11.8	0.4	14.3	0.5	16.7	0.6	20.0	0.6	23.5	0.7	26.7	0.8
	46	11.8	0.4	14.3	0.5	16.7	0.6	20.0	0.6	23.5	0.7	26.7	0.9
	50	11.8	0.4	14.3	0.5	16.7	0.5	20.0	0.6	23.5	0.8	26.7	0.9
	54	11.8	0.4	14.3	0.5	16.7	0.5	20.0	0.6	23.5	0.8	26.7	0.9
	57	11.8	0.4	14.3	0.5	16.7	0.6	20.0	0.7	23.5	0.8	26.7	0.9
	61	11.8	0.4	14.3	0.5	16.7	0.6	20.0	0.7	23.5	0.8	26.7	1.0
	64	11.8	0.5	14.3	0.5	16.7	0.6	20.0	0.7	23.5	0.9	26.7	1.0
	68	11.8	0.5	14.3	0.6	16.7	0.7	20.0	0.8	23.5	0.9	26.7	1.1
	70	11.8	0.6	14.3	0.6	16.7	0.7	20.0	0.8	23.5	1.0	26.7	1.1
	73	11.8	0.6	14.3	0.7	16.7	0.8	20.0	0.9	23.5	1.1	26.7	1.3
	77	11.8	0.7	14.3	0.8	16.7	0.9	20.0	1.0	23.5	1.2	26.7	1.4
	81	11.8	0.7	14.3	0.8	16.7	1.0	20.0	1.1	23.5	1.3	26.7	1.6
	84	11.8	0.8	14.3	0.9	16.7	1.0	20.0	1.2	23.5	1.5	26.7	1.7
88	11.8	0.9	14.3	1.0	16.7	1.1	20.0	1.4	23.5	1.6	26.7	1.9	
91	11.8	0.9	14.3	1.1	16.7	1.3	20.0	1.5	23.5	1.8	26.7	2.1	
95	11.8	1.0	14.3	1.2	16.7	1.4	20.0	1.6	23.5	2.0	26.7	2.3	
99	11.8	1.1	14.3	1.3	16.7	1.5	20.0	1.8	23.5	2.1	26.7	2.5	
102	11.8	1.2	14.3	1.4	16.7	1.6	20.0	2.0	23.5	2.3	26.7	2.7	
106	11.8	1.3	14.3	1.5	16.7	1.8	20.0	2.1	23.5	2.5	26.7	3.0	
109	11.8	1.4	14.3	1.7	16.7	1.9	20.0	2.3	23.5	2.8	26.7	3.2	
113	11.8	1.5	14.3	1.8	16.7	2.1	20.0	2.5	23.5	3.0	26.7	3.5	
118	11.8	1.8	14.3	2.1	16.7	2.4	20.0	2.9	23.5	3.4	26.7	4.0	
122	11.8	1.9	14.3	2.3	16.7	2.6	20.0	3.1	23.5	3.8	23.5	3.5	
100%	5	10.7	0.4	13.0	0.5	15.2	0.5	18.2	0.6	21.3	0.7	24.3	0.8
	10	10.7	0.4	13.0	0.5	15.2	0.5	18.2	0.6	21.3	0.7	24.3	0.8
	14	10.7	0.4	13.0	0.5	15.2	0.5	18.2	0.6	21.3	0.7	24.3	0.8
	18	10.7	0.4	13.0	0.5	15.2	0.5	18.2	0.6	21.3	0.7	24.3	0.8
	23	10.7	0.4	13.0	0.5	15.2	0.5	18.2	0.6	21.3	0.7	24.3	0.8
	28	10.7	0.4	13.0	0.4	15.2	0.5	18.2	0.6	21.3	0.7	24.3	0.8
	32	10.7	0.4	13.0	0.4	15.2	0.5	18.2	0.6	21.3	0.7	24.3	0.8
	36	10.7	0.4	13.0	0.4	15.2	0.5	18.2	0.6	21.3	0.7	24.3	0.8
	39	10.7	0.4	13.0	0.5	15.2	0.5	18.2	0.6	21.3	0.7	24.3	0.8
	43	10.7	0.4	13.0	0.5	15.2	0.5	18.2	0.6	21.3	0.7	24.3	0.8
	46	10.7	0.4	13.0	0.4	15.2	0.5	18.2	0.6	21.3	0.7	24.3	0.8
	50	10.7	0.4	13.0	0.4	15.2	0.5	18.2	0.6	21.3	0.7	24.3	0.8
	54	10.7	0.4	13.0	0.4	15.2	0.5	18.2	0.6	21.3	0.7	24.3	0.8
	57	10.7	0.4	13.0	0.4	15.2	0.5	18.2	0.6	21.3	0.7	24.3	0.8
	61	10.7	0.4	13.0	0.4	15.2	0.5	18.2	0.6	21.3	0.7	24.3	0.8
	64	10.7	0.4	13.0	0.5	15.2	0.6	18.2	0.7	21.3	0.8	24.3	0.9
	68	10.7	0.5	13.0	0.6	15.2	0.6	18.2	0.7	21.3	0.8	24.3	0.9
	70	10.7	0.5	13.0	0.6	15.2	0.7	18.2	0.7	21.3	0.9	24.3	1.0
	73	10.7	0.6	13.0	0.6	15.2	0.7	18.2	0.8	21.3	1.0	24.3	1.1
	77	10.7	0.6	13.0	0.7	15.2	0.8	18.2	0.9	21.3	1.1	24.3	1.2
	81	10.7	0.7	13.0	0.8	15.2	0.9	18.2	1.0	21.3	1.2	24.3	1.4
	84	10.7	0.7	13.0	0.8	15.2	0.9	18.2	1.1	21.3	1.3	24.3	1.5
88	10.7	0.8	13.0	0.9	15.2	1.0	18.2	1.2	21.3	1.4	24.3	1.6	
91	10.7	0.9	13.0	1.0	15.2	1.1	18.2	1.3	21.3	1.6	24.3	1.8	
95	10.7	0.9	13.0	1.1	15.2	1.2	18.2	1.5	21.3	1.7	24.3	2.0	
99	10.7	1.0	13.0	1.2	15.2	1.3	18.2	1.6	21.3	1.9	24.3	2.2	
102	10.7	1.1	13.0	1.3	15.2	1.5	18.2	1.7	21.3	2.1	24.3	2.4	
106	10.7	1.2	13.0	1.4	15.2	1.6	18.2	1.9	21.3	2.3	24.3	2.6	
109	10.7	1.3	13.0	1.5	15.2	1.7	18.2	2.1	21.3	2.5	24.3	2.8	
113	10.7	1.4	13.0	1.7	15.2	1.9	18.2	2.3	21.3	2.7	24.3	3.1	
118	10.7	1.6	13.0	1.9	15.2	2.2	18.2	2.6	21.3	3.1	24.3	3.5	
122	10.7	1.7	13.0	2.1	15.2	2.4	18.2	2.8	21.3	3.3	23.3	3.6	

NOTE - Power Input = Compressor + Outdoor Fan Motor.
MBH = 1000 BTUs per hour.

COOLING CAPACITY

VPC018H4M-3P

Combination (%)	Outdoor Temperature °F (Dry Bulb)	Indoor Temperature - °F (Dry Bulb / Wet Bulb)											
		67 / 57		71 / 60		75 / 63		80 / 67		85 / 71		90 / 75	
		Total Cap. MBH	Power Input kW	Total Cap. MBH	Power Input kW	Total Cap. MBH	Power Input kW	Total Cap. MBH	Power Input kW	Total Cap. MBH	Power Input kW	Total Cap. MBH	Power Input kW
90%	5	9.7	0.4	11.7	0.4	13.7	0.5	16.4	0.6	19.2	0.7	21.9	0.7
	10	9.7	0.4	11.7	0.4	13.7	0.5	16.4	0.6	19.2	0.6	21.9	0.7
	14	9.7	0.4	11.7	0.4	13.7	0.5	16.4	0.6	19.2	0.6	21.9	0.7
	18	9.7	0.4	11.7	0.4	13.7	0.5	16.4	0.6	19.2	0.6	21.9	0.7
	23	9.7	0.4	11.7	0.4	13.7	0.5	16.4	0.6	19.2	0.6	21.9	0.7
	28	9.7	0.3	11.7	0.4	13.7	0.5	16.4	0.5	19.2	0.6	21.9	0.7
	32	9.7	0.3	11.7	0.4	13.7	0.5	16.4	0.6	19.2	0.6	21.9	0.7
	36	9.7	0.3	11.7	0.4	13.7	0.5	16.4	0.5	19.2	0.6	21.9	0.7
	39	9.7	0.3	11.7	0.4	13.7	0.5	16.4	0.5	19.2	0.6	21.9	0.7
	43	9.7	0.3	11.7	0.4	13.7	0.5	16.4	0.5	19.2	0.6	21.9	0.7
	46	9.7	0.3	11.7	0.4	13.7	0.5	16.4	0.5	19.2	0.6	21.9	0.7
	50	9.7	0.3	11.7	0.4	13.7	0.5	16.4	0.5	19.2	0.6	21.9	0.7
	54	9.7	0.3	11.7	0.4	13.7	0.5	16.4	0.5	19.2	0.6	21.9	0.7
	57	9.7	0.4	11.7	0.4	13.7	0.5	16.4	0.5	19.2	0.6	21.9	0.7
	61	9.7	0.4	11.7	0.4	13.7	0.5	16.4	0.6	19.2	0.7	21.9	0.7
	64	9.7	0.4	11.7	0.4	13.7	0.5	16.4	0.6	19.2	0.7	21.9	0.8
	68	9.7	0.5	11.7	0.5	13.7	0.6	16.4	0.7	19.2	0.8	21.9	0.9
	70	9.7	0.5	11.7	0.5	13.7	0.6	16.4	0.7	19.2	0.8	21.9	0.9
	73	9.7	0.5	11.7	0.6	13.7	0.6	16.4	0.7	19.2	0.8	21.9	1.0
	77	9.7	0.6	11.7	0.6	13.7	0.7	16.4	0.8	19.2	0.9	21.9	1.1
	81	9.7	0.6	11.7	0.7	13.7	0.8	16.4	0.9	19.2	1.0	21.9	1.2
84	9.7	0.7	11.7	0.8	13.7	0.8	16.4	1.0	19.2	1.1	21.9	1.3	
88	9.7	0.7	11.7	0.8	13.7	0.9	16.4	1.1	19.2	1.3	21.9	1.4	
91	9.7	0.8	11.7	0.9	13.7	1.0	16.4	1.2	19.2	1.4	21.9	1.6	
95	9.7	0.8	11.7	1.0	13.7	1.1	16.4	1.3	19.2	1.5	21.9	1.7	
99	9.7	0.9	11.7	1.1	13.7	1.2	16.4	1.4	19.2	1.7	21.9	1.9	
102	9.7	1.0	11.7	1.2	13.7	1.3	16.4	1.5	19.2	1.8	21.9	2.1	
106	9.7	1.1	11.7	1.3	13.7	1.4	16.4	1.7	19.2	2.0	21.9	2.3	
109	9.7	1.2	11.7	1.4	13.7	1.6	16.4	1.8	19.2	2.2	21.9	2.5	
113	9.7	1.3	11.7	1.5	13.7	1.7	16.4	2.0	19.2	2.4	21.9	2.7	
118	9.7	1.5	11.7	1.7	13.7	1.9	16.4	2.3	19.2	2.7	21.9	3.1	
122	9.7	1.6	11.7	1.9	13.7	2.1	16.4	2.5	19.2	2.9	21.9	3.4	
80%	5	8.6	0.3	10.4	0.4	12.2	0.5	14.6	0.5	17.1	0.6	19.4	0.7
	10	8.6	0.3	10.4	0.4	12.2	0.4	14.6	0.5	17.1	0.6	19.4	0.7
	14	8.6	0.4	10.4	0.4	12.2	0.4	14.6	0.5	17.1	0.6	19.4	0.7
	18	8.6	0.3	10.4	0.4	12.2	0.4	14.6	0.5	17.1	0.6	19.4	0.7
	23	8.6	0.3	10.4	0.4	12.2	0.4	14.6	0.5	17.1	0.6	19.4	0.7
	28	8.6	0.3	10.4	0.4	12.2	0.4	14.6	0.5	17.1	0.6	19.4	0.7
	32	8.6	0.3	10.4	0.4	12.2	0.4	14.6	0.5	17.1	0.6	19.4	0.6
	36	8.6	0.3	10.4	0.4	12.2	0.4	14.6	0.5	17.1	0.6	19.4	0.6
	39	8.6	0.3	10.4	0.4	12.2	0.4	14.6	0.5	17.1	0.6	19.4	0.6
	43	8.6	0.3	10.4	0.4	12.2	0.4	14.6	0.5	17.1	0.6	19.4	0.6
	46	8.6	0.3	10.4	0.4	12.2	0.4	14.6	0.5	17.1	0.6	19.4	0.6
	50	8.6	0.3	10.4	0.4	12.2	0.4	14.6	0.5	17.1	0.6	19.4	0.6
	54	8.6	0.3	10.4	0.4	12.2	0.4	14.6	0.5	17.1	0.5	19.4	0.6
	57	8.6	0.3	10.4	0.4	12.2	0.4	14.6	0.5	17.1	0.6	19.4	0.6
	61	8.6	0.3	10.4	0.4	12.2	0.4	14.6	0.5	17.1	0.6	19.4	0.7
	64	8.6	0.4	10.4	0.4	12.2	0.5	14.6	0.5	17.1	0.7	19.4	0.7
	68	8.6	0.4	10.4	0.5	12.2	0.5	14.6	0.6	17.1	0.7	19.4	0.8
	70	8.6	0.5	10.4	0.5	12.2	0.5	14.6	0.6	17.1	0.7	19.4	0.8
	73	8.6	0.5	10.4	0.5	12.2	0.6	14.6	0.6	17.1	0.7	19.4	0.8
	77	8.6	0.5	10.4	0.6	12.2	0.6	14.6	0.7	17.1	0.8	19.4	0.9
	81	8.6	0.6	10.4	0.6	12.2	0.7	14.6	0.8	17.1	0.9	19.4	1.0
84	8.6	0.6	10.4	0.7	12.2	0.7	14.6	0.9	17.1	1.0	19.4	1.1	
88	8.6	0.7	10.4	0.7	12.2	0.8	14.6	0.9	17.1	1.1	19.4	1.2	
91	8.6	0.7	10.4	0.8	12.2	0.9	14.6	1.0	17.1	1.2	19.4	1.3	
95	8.6	0.8	10.4	0.9	12.2	1.0	14.6	1.1	17.1	1.3	19.4	1.5	
99	8.6	0.8	10.4	1.0	12.2	1.1	14.6	1.2	17.1	1.4	19.4	1.6	
102	8.6	0.9	10.4	1.0	12.2	1.2	14.6	1.4	17.1	1.6	19.4	1.8	
106	8.6	1.0	10.4	1.1	12.2	1.3	14.6	1.5	17.1	1.7	19.4	1.9	
109	8.6	1.1	10.4	1.2	12.2	1.4	14.6	1.6	17.1	1.9	19.4	2.1	
113	8.6	1.2	10.4	1.3	12.2	1.5	14.6	1.8	17.1	2.1	19.4	2.3	
118	8.6	1.3	10.4	1.5	12.2	1.7	14.6	2.0	17.1	2.3	19.4	2.7	
122	8.6	1.4	10.4	1.7	12.2	1.9	14.6	2.2	17.1	2.6	19.4	2.9	

NOTE - Power Input = Compressor + Outdoor Fan Motor.
 MBH = 1000 BTUs per hour.

COOLING CAPACITY

VPC018H4M-3P

Combination (%)	Outdoor Temperature °F (Dry Bulb)	Indoor Temperature - °F (Dry Bulb / Wet Bulb)											
		67 / 57		71 / 60		75 / 63		80 / 67		85 / 71		90 / 75	
		Total Cap. MBH	Power Input kW	Total Cap. MBH	Power Input kW	Total Cap. MBH	Power Input kW	Total Cap. MBH	Power Input kW	Total Cap. MBH	Power Input kW	Total Cap. MBH	Power Input kW
70%	5	7.5	0.3	9.1	0.4	10.6	0.4	12.7	0.5	14.9	0.6	17.0	0.6
	10	7.5	0.3	9.1	0.4	10.6	0.4	12.7	0.5	14.9	0.5	17.0	0.6
	14	7.5	0.3	9.1	0.4	10.6	0.4	12.7	0.5	14.9	0.5	17.0	0.6
	18	7.5	0.3	9.1	0.4	10.6	0.4	12.7	0.5	14.9	0.5	17.0	0.6
	23	7.5	0.3	9.1	0.3	10.6	0.4	12.7	0.5	14.9	0.5	17.0	0.6
	28	7.5	0.3	9.1	0.3	10.6	0.4	12.7	0.4	14.9	0.5	17.0	0.6
	32	7.5	0.3	9.1	0.3	10.6	0.4	12.7	0.4	14.9	0.5	17.0	0.6
	36	7.5	0.3	9.1	0.3	10.6	0.4	12.7	0.4	14.9	0.5	17.0	0.6
	39	7.5	0.3	9.1	0.3	10.6	0.4	12.7	0.4	14.9	0.5	17.0	0.6
	43	7.5	0.3	9.1	0.3	10.6	0.4	12.7	0.4	14.9	0.5	17.0	0.5
	46	7.5	0.3	9.1	0.3	10.6	0.4	12.7	0.4	14.9	0.5	17.0	0.5
	50	7.5	0.3	9.1	0.3	10.6	0.4	12.7	0.4	14.9	0.5	17.0	0.5
	54	7.5	0.3	9.1	0.3	10.6	0.4	12.7	0.4	14.9	0.5	17.0	0.6
	57	7.5	0.3	9.1	0.3	10.6	0.4	12.7	0.4	14.9	0.5	17.0	0.6
	61	7.5	0.3	9.1	0.3	10.6	0.4	12.7	0.4	14.9	0.5	17.0	0.6
	64	7.5	0.3	9.1	0.4	10.6	0.4	12.7	0.5	14.9	0.6	17.0	0.6
	68	7.5	0.4	9.1	0.4	10.6	0.5	12.7	0.6	14.9	0.6	17.0	0.7
	70	7.5	0.4	9.1	0.5	10.6	0.5	12.7	0.6	14.9	0.6	17.0	0.7
	73	7.5	0.4	9.1	0.5	10.6	0.5	12.7	0.6	14.9	0.6	17.0	0.7
	77	7.5	0.5	9.1	0.5	10.6	0.6	12.7	0.6	14.9	0.7	17.0	0.8
81	7.5	0.5	9.1	0.6	10.6	0.6	12.7	0.7	14.9	0.8	17.0	0.9	
84	7.5	0.6	9.1	0.6	10.6	0.7	12.7	0.7	14.9	0.8	17.0	0.9	
88	7.5	0.6	9.1	0.7	10.6	0.7	12.7	0.8	14.9	0.9	17.0	1.0	
91	7.5	0.6	9.1	0.7	10.6	0.8	12.7	0.9	14.9	1.0	17.0	1.1	
95	7.5	0.7	9.1	0.8	10.6	0.9	12.7	1.0	14.9	1.1	17.0	1.3	
99	7.5	0.7	9.1	0.8	10.6	0.9	12.7	1.1	14.9	1.2	17.0	1.4	
102	7.5	0.8	9.1	0.9	10.6	1.0	12.7	1.2	14.9	1.3	17.0	1.5	
106	7.5	0.9	9.1	1.0	10.6	1.1	12.7	1.3	14.9	1.5	17.0	1.7	
109	7.5	1.0	9.1	1.1	10.6	1.2	12.7	1.4	14.9	1.6	17.0	1.8	
113	7.5	1.0	9.1	1.2	10.6	1.3	12.7	1.5	14.9	1.8	17.0	2.0	
118	7.5	1.2	9.1	1.3	10.6	1.5	12.7	1.8	14.9	2.0	17.0	2.3	
122	7.5	1.3	9.1	1.5	10.6	1.7	12.7	1.9	14.9	2.2	17.0	2.5	
60%	5	6.4	0.3	7.8	0.3	9.1	0.4	10.9	0.4	12.8	0.5	14.6	0.6
	10	6.4	0.3	7.8	0.3	9.1	0.4	10.9	0.4	12.8	0.5	14.6	0.5
	14	6.4	0.3	7.8	0.3	9.1	0.4	10.9	0.4	12.8	0.5	14.6	0.5
	18	6.4	0.3	7.8	0.3	9.1	0.4	10.9	0.4	12.8	0.5	14.6	0.5
	23	6.4	0.3	7.8	0.3	9.1	0.4	10.9	0.4	12.8	0.5	14.6	0.5
	28	6.4	0.3	7.8	0.3	9.1	0.3	10.9	0.4	12.8	0.4	14.6	0.5
	32	6.4	0.3	7.8	0.3	9.1	0.3	10.9	0.4	12.8	0.4	14.6	0.5
	36	6.4	0.2	7.8	0.3	9.1	0.3	10.9	0.4	12.8	0.4	14.6	0.5
	39	6.4	0.2	7.8	0.3	9.1	0.3	10.9	0.4	12.8	0.4	14.6	0.5
	43	6.4	0.2	7.8	0.3	9.1	0.3	10.9	0.4	12.8	0.4	14.6	0.5
	46	6.4	0.2	7.8	0.3	9.1	0.3	10.9	0.4	12.8	0.4	14.6	0.5
	50	6.4	0.2	7.8	0.3	9.1	0.3	10.9	0.4	12.8	0.4	14.6	0.5
	54	6.4	0.3	7.8	0.3	9.1	0.3	10.9	0.4	12.8	0.4	14.6	0.5
	57	6.4	0.3	7.8	0.3	9.1	0.3	10.9	0.4	12.8	0.4	14.6	0.5
	61	6.4	0.3	7.8	0.3	9.1	0.3	10.9	0.4	12.8	0.5	14.6	0.5
	64	6.4	0.3	7.8	0.3	9.1	0.4	10.9	0.4	12.8	0.5	14.6	0.5
	68	6.4	0.3	7.8	0.4	9.1	0.4	10.9	0.5	12.8	0.6	14.6	0.6
	70	6.4	0.4	7.8	0.4	9.1	0.5	10.9	0.5	12.8	0.6	14.6	0.6
	73	6.4	0.4	7.8	0.4	9.1	0.5	10.9	0.5	12.8	0.6	14.6	0.6
	77	6.4	0.4	7.8	0.5	9.1	0.5	10.9	0.6	12.8	0.6	14.6	0.6
81	6.4	0.5	7.8	0.5	9.1	0.6	10.9	0.6	12.8	0.7	14.6	0.7	
84	6.4	0.5	7.8	0.6	9.1	0.6	10.9	0.7	12.8	0.7	14.6	0.8	
88	6.4	0.5	7.8	0.6	9.1	0.7	10.9	0.7	12.8	0.8	14.6	0.9	
91	6.4	0.6	7.8	0.7	9.1	0.7	10.9	0.8	12.8	0.9	14.6	1.0	
95	6.4	0.6	7.8	0.7	9.1	0.8	10.9	0.9	12.8	1.0	14.6	1.1	
99	6.4	0.7	7.8	0.8	9.1	0.8	10.9	0.9	12.8	1.0	14.6	1.2	
102	6.4	0.7	7.8	0.8	9.1	0.9	10.9	1.0	12.8	1.1	14.6	1.3	
106	6.4	0.8	7.8	0.9	9.1	1.0	10.9	1.1	12.8	1.3	14.6	1.4	
109	6.4	0.8	7.8	1.0	9.1	1.1	10.9	1.2	12.8	1.4	14.6	1.5	
113	6.4	0.9	7.8	1.0	9.1	1.2	10.9	1.3	12.8	1.5	14.6	1.7	
118	6.4	1.0	7.8	1.2	9.1	1.3	10.9	1.5	12.8	1.7	14.6	1.9	
122	6.4	1.1	7.8	1.3	9.1	1.4	10.9	1.7	12.8	1.9	14.6	2.1	

NOTE - Power Input = Compressor + Outdoor Fan Motor.
MBH = 1000 BTUs per hour.

COOLING CAPACITY

VPC018H4M-3P

Combination (%)	Outdoor Temperature °F (Dry Bulb)	Indoor Temperature - °F (Dry Bulb / Wet Bulb)											
		67 / 57		71 / 60		75 / 63		80 / 67		85 / 71		90 / 75	
		Total Cap. MBH	Power Input kW	Total Cap. MBH	Power Input kW	Total Cap. MBH	Power Input kW	Total Cap. MBH	Power Input kW	Total Cap. MBH	Power Input kW	Total Cap. MBH	Power Input kW
50%	5	5.4	0.2	6.5	0.3	7.6	0.3	9.1	0.4	10.7	0.4	12.2	0.5
	10	5.4	0.2	6.5	0.3	7.6	0.3	9.1	0.4	10.7	0.4	12.2	0.5
	14	5.4	0.2	6.5	0.3	7.6	0.3	9.1	0.4	10.7	0.4	12.2	0.5
	18	5.4	0.2	6.5	0.3	7.6	0.3	9.1	0.4	10.7	0.4	12.2	0.5
	23	5.4	0.2	6.5	0.3	7.6	0.3	9.1	0.3	10.7	0.4	12.2	0.4
	28	5.4	0.2	6.5	0.3	7.6	0.3	9.1	0.3	10.7	0.4	12.2	0.4
	32	5.4	0.2	6.5	0.3	7.6	0.3	9.1	0.3	10.7	0.4	12.2	0.4
	36	5.4	0.2	6.5	0.2	7.6	0.3	9.1	0.3	10.7	0.4	12.2	0.4
	39	5.4	0.2	6.5	0.2	7.6	0.3	9.1	0.3	10.7	0.4	12.2	0.4
	43	5.4	0.2	6.5	0.2	7.6	0.3	9.1	0.3	10.7	0.4	12.2	0.4
	46	5.4	0.2	6.5	0.2	7.6	0.3	9.1	0.3	10.7	0.4	12.2	0.4
	50	5.4	0.2	6.5	0.2	7.6	0.3	9.1	0.3	10.7	0.4	12.2	0.4
	54	5.4	0.2	6.5	0.3	7.6	0.3	9.1	0.3	10.7	0.4	12.2	0.4
	57	5.4	0.2	6.5	0.3	7.6	0.3	9.1	0.3	10.7	0.4	12.2	0.4
	61	5.4	0.3	6.5	0.3	7.6	0.3	9.1	0.3	10.7	0.4	12.2	0.4
	64	5.4	0.3	6.5	0.3	7.6	0.3	9.1	0.4	10.7	0.4	12.2	0.4
	68	5.4	0.3	6.5	0.3	7.6	0.4	9.1	0.4	10.7	0.5	12.2	0.5
	70	5.4	0.3	6.5	0.4	7.6	0.4	9.1	0.5	10.7	0.5	12.2	0.5
	73	5.4	0.4	6.5	0.4	7.6	0.4	9.1	0.5	10.7	0.5	12.2	0.5
	77	5.4	0.4	6.5	0.4	7.6	0.5	9.1	0.5	10.7	0.6	12.2	0.6
81	5.4	0.4	6.5	0.5	7.6	0.5	9.1	0.5	10.7	0.6	12.2	0.6	
84	5.4	0.4	6.5	0.5	7.6	0.5	9.1	0.6	10.7	0.6	12.2	0.7	
88	5.4	0.5	6.5	0.5	7.6	0.6	9.1	0.6	10.7	0.7	12.2	0.7	
91	5.4	0.5	6.5	0.6	7.6	0.6	9.1	0.7	10.7	0.7	12.2	0.8	
95	5.4	0.5	6.5	0.6	7.6	0.7	9.1	0.7	10.7	0.8	12.2	0.9	
99	5.4	0.6	6.5	0.7	7.6	0.7	9.1	0.8	10.7	0.9	12.2	1.0	
102	5.4	0.6	6.5	0.7	7.6	0.8	9.1	0.9	10.7	1.0	12.2	1.1	
106	5.4	0.7	6.5	0.8	7.6	0.9	9.1	0.9	10.7	1.1	12.2	1.2	
109	5.4	0.7	6.5	0.8	7.6	0.9	9.1	1.0	10.7	1.2	12.2	1.3	
113	5.4	0.8	6.5	0.9	7.6	1.0	9.1	1.1	10.7	1.3	12.2	1.4	
118	5.4	0.9	6.5	1.0	7.6	1.1	9.1	1.3	10.7	1.4	12.2	1.6	
122	5.4	1.0	6.5	1.1	7.6	1.2	9.1	1.4	10.7	1.6	12.2	1.8	

NOTE - Power Input = Compressor + Outdoor Fan Motor.
 MBH = 1000 BTUs per hour.

HEATING CAPACITY

VPC018H4M-3P

Combination (%)	Outdoor Temperature (°F)		Indoor Temperature - °F Dry Bulb											
			61		65		68		70		72		75	
	Dry Bulb	Wet Bulb	Total Cap.	Power Input	Total Cap.	Power Input	Total Cap.	Power Input	Total Cap.	Power Input	Total Cap.	Power Input	Total Cap.	Power Input
			MBH	kW	MBH	kW	MBH	kW	MBH	kW	MBH	kW	MBH	kW
130%	-13	-14	12.3	2.5	12.3	2.6	12.2	2.7	12.2	2.7	12.2	2.7	12.1	2.8
	-4	-4	15.5	2.7	15.4	2.7	15.3	2.8	15.3	2.8	15.2	2.9	15.2	2.9
	-2	-2	16.1	2.7	16.0	2.8	15.9	2.8	15.9	2.8	15.8	2.9	15.7	2.9
	6	5	18.6	2.7	18.5	2.8	18.4	2.9	18.3	2.9	18.2	3.0	18.1	3.0
	10	8	19.8	2.8	19.7	2.9	19.6	2.9	19.5	3.0	19.4	3.0	19.3	3.1
	13	12	21.1	2.8	21.0	2.9	20.9	3.0	20.8	3.0	20.7	3.0	20.5	3.1
	15	14	21.9	2.8	21.7	2.9	21.6	3.0	21.5	3.0	21.4	3.1	21.2	3.1
	17	15	22.4	2.8	22.3	2.9	22.1	3.0	22.0	3.0	21.9	3.1	21.7	3.1
	19	18	23.4	2.8	23.2	2.9	23.1	3.0	23.0	3.1	22.8	3.1	23.1	3.2
	22	19	23.7	2.5	23.5	2.6	23.3	2.7	23.2	2.7	23.1	2.7	23.1	2.8
	26	22	25.1	2.5	24.9	2.6	24.7	2.7	24.6	2.7	24.9	2.8	23.1	2.6
	30	26	26.5	2.5	26.3	2.6	26.1	2.7	26.0	2.7	24.9	2.6	23.1	2.5
	35	30	28.4	2.6	28.2	2.7	27.1	2.6	26.0	2.5	24.9	2.4	23.1	2.3
	39	34	29.9	2.6	28.9	2.6	27.1	2.4	26.0	2.3	24.9	2.2	23.1	2.1
	44	38	31.2	2.5	28.9	2.3	27.1	2.2	26.0	2.1	24.9	2.1	23.1	1.9
	47	43	31.2	2.3	28.9	2.1	27.1	2.0	26.0	1.9	24.9	1.9	23.1	1.8
	51	45	31.2	2.2	28.9	2.0	27.1	1.9	26.0	1.9	24.9	1.8	23.1	1.7
	54	47	31.2	2.0	28.9	1.9	27.1	1.8	26.0	1.8	24.9	1.7	23.1	1.6
	57	50	31.2	1.9	28.9	1.8	27.1	1.7	26.0	1.7	24.9	1.6	23.1	1.5
	60	53	31.2	1.8	28.9	1.7	27.1	1.6	26.0	1.6	24.9	1.5	23.1	1.4
63	55	31.2	1.7	28.9	1.6	27.1	1.5	26.0	1.5	24.9	1.4	23.1	1.4	
66	58	31.2	1.6	28.9	1.5	27.1	1.4	26.0	1.4	24.9	1.3	23.1	1.3	
69	61	31.2	1.4	28.9	1.4	27.1	1.3	26.0	1.3	24.9	1.3	23.1	1.2	
72	62	31.2	1.4	28.9	1.3	27.1	1.3	26.0	1.2	24.9	1.2	23.1	1.2	
75	64	31.2	1.3	28.9	1.3	27.1	1.2	26.0	1.2	24.9	1.1	23.1	1.1	
78	67	31.2	1.2	28.9	1.2	27.1	1.1	26.0	1.1	24.9	1.1	23.1	1.0	
80	69	31.2	1.1	28.9	1.1	27.1	1.0	26.0	1.0	24.9	1.0	23.1	0.9	
120%	-13	-14	12.2	2.6	12.2	2.6	12.2	2.7	12.2	2.7	12.2	2.7	12.1	2.8
	-4	-4	15.4	2.7	15.4	2.8	15.3	2.8	15.3	2.8	15.2	2.9	15.1	2.9
	-2	-2	16.0	2.7	16.0	2.8	15.9	2.8	15.8	2.9	15.8	2.9	15.7	3.0
	6	5	18.5	2.8	18.4	2.9	18.3	2.9	18.3	3.0	18.2	3.0	18.1	3.1
	10	8	19.8	2.8	19.6	2.9	19.5	2.9	19.4	3.0	19.4	3.0	19.2	3.1
	13	12	21.1	2.8	20.9	2.9	20.8	3.0	20.7	3.0	20.6	3.1	20.5	3.1
	15	14	21.8	2.9	21.7	2.9	21.5	3.0	21.4	3.0	21.3	3.1	21.3	3.2
	17	15	22.4	2.9	22.2	3.0	22.1	3.0	22.0	3.1	21.9	3.1	21.3	3.1
	19	18	23.4	2.9	23.2	3.0	23.0	3.0	22.9	3.1	22.9	3.1	21.3	2.9
	22	19	23.6	2.5	23.4	2.6	23.3	2.7	23.2	2.7	22.9	2.7	21.3	2.6
	26	22	25.1	2.6	24.9	2.6	25.1	2.7	24.0	2.6	22.9	2.5	21.3	2.4
	30	26	26.5	2.6	26.7	2.7	25.1	2.6	24.0	2.5	22.9	2.4	21.3	2.2
	35	30	28.8	2.7	26.7	2.5	25.1	2.4	24.0	2.3	22.9	2.2	21.3	2.1
	39	34	28.8	2.5	26.7	2.3	25.1	2.2	24.0	2.1	22.9	2.0	21.3	1.9
	44	38	28.8	2.2	26.7	2.1	25.1	2.0	24.0	1.9	22.9	1.9	21.3	1.8
	47	43	28.8	2.0	26.7	1.9	25.1	1.8	24.0	1.8	22.9	1.7	21.3	1.6
	51	45	28.8	1.9	26.7	1.8	25.1	1.7	24.0	1.7	22.9	1.6	21.3	1.6
	54	47	28.8	1.8	26.7	1.7	25.1	1.6	24.0	1.6	22.9	1.6	21.3	1.5
	57	50	28.8	1.7	26.7	1.6	25.1	1.6	24.0	1.5	22.9	1.5	21.3	1.4
	60	53	28.8	1.6	26.7	1.5	25.1	1.5	24.0	1.4	22.9	1.4	21.3	1.3
63	55	28.8	1.5	26.7	1.4	25.1	1.4	24.0	1.3	22.9	1.3	21.3	1.2	
66	58	28.8	1.4	26.7	1.3	25.1	1.3	24.0	1.3	22.9	1.2	21.3	1.2	
69	61	28.8	1.3	26.7	1.2	25.1	1.2	24.0	1.2	22.9	1.1	21.3	1.1	
72	62	28.8	1.2	26.7	1.2	25.1	1.2	24.0	1.1	22.9	1.1	21.3	1.1	
75	64	28.8	1.2	26.7	1.1	25.1	1.1	24.0	1.1	22.9	1.0	21.3	1.0	
78	67	28.8	1.1	26.7	1.0	25.1	1.0	24.0	1.0	22.9	1.0	21.3	0.9	
80	69	28.8	1.0	26.7	1.0	25.1	0.9	24.0	0.9	22.9	0.9	21.3	0.9	

NOTE - All Total Capacity and Power Input Data at 2°F Dry Bulb / 1°F Wet Bulb Outdoor Temperature is simulated at these operating conditions.

Recommended minimum heating operating temperature is -4°F.

Power Input = Compressor + Outdoor Fan Motor.

MBH = 1000 BTUs per hour.

HEATING CAPACITY

VPC018H4M-3P

Combination (%)	Outdoor Temperature (°F)		Indoor Temperature - °F Dry Bulb											
			61		65		68		70		72		75	
			Total Cap.	Power Input	Total Cap.	Power Input	Total Cap.	Power Input	Total Cap.	Power Input	Total Cap.	Power Input	Total Cap.	Power Input
	Dry Bulb	Wet Bulb	MBH	kW	MBH	kW	MBH	kW	MBH	kW	MBH	kW	MBH	kW
110%	-13	-14	12.2	2.6	12.2	2.6	12.2	2.7	12.1	2.7	12.1	2.8	12.1	2.8
	-4	-4	15.4	2.7	15.3	2.8	15.3	2.8	15.2	2.9	15.2	2.9	15.1	3.0
	-2	-2	16.0	2.7	15.9	2.8	15.9	2.8	15.8	2.9	15.8	2.9	15.7	3.0
	6	5	18.5	2.8	18.4	2.9	18.3	2.9	18.2	3.0	18.1	3.0	18.0	3.1
	10	8	19.7	2.8	19.6	2.9	19.5	3.0	19.4	3.0	19.3	3.1	19.5	3.2
	13	12	21.1	2.9	20.9	3.0	20.8	3.0	20.7	3.1	20.6	3.1	19.5	3.0
	15	14	21.8	2.9	21.6	3.0	21.5	3.0	21.4	3.1	21.0	3.1	19.5	2.9
	17	15	22.4	2.9	22.2	3.0	22.0	3.1	22.0	3.1	21.0	3.0	19.5	2.8
	19	18	23.3	2.9	23.1	3.0	23.0	3.1	22.0	3.0	21.0	2.8	19.5	2.7
	22	19	23.6	2.6	23.4	2.7	23.0	2.7	22.0	2.6	21.0	2.5	19.5	2.3
	26	22	25.0	2.6	24.5	2.6	23.0	2.5	22.0	2.4	21.0	2.3	19.5	2.2
	30	26	26.4	2.6	24.5	2.4	23.0	2.3	22.0	2.2	21.0	2.2	19.5	2.0
	35	30	26.4	2.4	24.5	2.2	23.0	2.1	22.0	2.1	21.0	2.0	19.5	1.9
	39	34	26.4	2.2	24.5	2.1	23.0	2.0	22.0	1.9	21.0	1.8	19.5	1.8
	44	38	26.4	2.0	24.5	1.9	23.0	1.8	22.0	1.7	21.0	1.7	19.5	1.6
	47	43	26.4	1.8	24.5	1.7	23.0	1.6	22.0	1.6	21.0	1.5	19.5	1.5
	51	45	26.4	1.7	24.5	1.6	23.0	1.6	22.0	1.5	21.0	1.5	19.5	1.4
	54	47	26.4	1.6	24.5	1.6	23.0	1.5	22.0	1.5	21.0	1.4	19.5	1.3
	57	50	26.4	1.5	24.5	1.5	23.0	1.4	22.0	1.4	21.0	1.3	19.5	1.3
	60	53	26.4	1.4	24.5	1.4	23.0	1.3	22.0	1.3	21.0	1.3	19.5	1.2
63	55	26.4	1.3	24.5	1.3	23.0	1.2	22.0	1.2	21.0	1.2	19.5	1.1	
66	58	26.4	1.2	24.5	1.2	23.0	1.2	22.0	1.1	21.0	1.1	19.5	1.1	
69	61	26.4	1.2	24.5	1.1	23.0	1.1	22.0	1.1	21.0	1.0	19.5	1.0	
72	62	26.4	1.1	24.5	1.1	23.0	1.0	22.0	1.0	21.0	1.0	19.5	1.0	
75	64	26.4	1.1	24.5	1.0	23.0	1.0	22.0	1.0	21.0	0.9	19.5	0.9	
78	67	26.4	1.0	24.5	0.9	23.0	0.9	22.0	0.9	21.0	0.9	19.5	0.8	
80	69	26.4	0.9	24.5	0.9	23.0	0.8	22.0	0.8	21.0	0.8	19.5	0.8	
100%	-13	-14	12.2	2.6	12.2	2.7	12.2	2.7	12.1	2.7	12.1	2.8	12.0	2.8
	-4	-4	15.4	2.7	15.3	2.8	15.3	2.8	15.2	2.9	15.1	2.9	15.1	3.0
	-2	-2	16.0	2.7	15.9	2.8	15.8	2.9	15.8	2.9	15.7	2.9	15.6	3.0
	6	5	18.5	2.8	18.4	2.9	18.3	3.0	18.2	3.0	18.1	3.0	17.8	3.0
	10	8	19.7	2.9	19.6	2.9	19.5	3.0	19.4	3.1	19.1	3.0	17.8	2.9
	13	12	21.0	2.9	20.9	3.0	20.9	3.1	20.0	3.0	19.1	2.8	17.8	2.7
	15	14	21.8	2.9	21.6	3.0	20.9	3.0	20.0	2.9	19.1	2.7	17.8	2.6
	17	15	22.3	2.9	22.2	3.0	20.9	2.9	20.0	2.8	19.1	2.7	17.8	2.5
	19	18	23.3	3.0	22.2	2.9	20.9	2.7	20.0	2.7	19.1	2.6	17.8	2.4
	22	19	24.0	2.7	22.2	2.5	20.9	2.4	20.0	2.3	19.1	2.2	17.8	2.1
	26	22	24.0	2.5	22.2	2.3	20.9	2.2	20.0	2.1	19.1	2.1	17.8	2.0
	30	26	24.0	2.3	22.2	2.2	20.9	2.1	20.0	2.0	19.1	1.9	17.8	1.8
	35	30	24.0	2.1	22.2	2.0	20.9	1.9	20.0	1.8	19.1	1.8	17.8	1.7
	39	34	24.0	2.0	22.2	1.9	20.9	1.8	20.0	1.7	19.1	1.7	17.8	1.6
	44	38	24.0	1.8	22.2	1.7	20.9	1.6	20.0	1.6	19.1	1.5	17.8	1.5
	47	43	24.0	1.6	22.2	1.5	20.9	1.5	20.0	1.4	19.1	1.4	17.8	1.3
	51	45	24.0	1.5	22.2	1.5	20.9	1.4	20.0	1.4	19.1	1.3	17.8	1.3
	54	47	24.0	1.5	22.2	1.4	20.9	1.3	20.0	1.3	19.1	1.3	17.8	1.2
	57	50	24.0	1.4	22.2	1.3	20.9	1.3	20.0	1.2	19.1	1.2	17.8	1.2
	60	53	24.0	1.3	22.2	1.2	20.9	1.2	20.0	1.2	19.1	1.1	17.8	1.1
63	55	24.0	1.2	22.2	1.2	20.9	1.1	20.0	1.1	19.1	1.1	17.8	1.0	
66	58	24.0	1.1	22.2	1.1	20.9	1.0	20.0	1.0	19.1	1.0	17.8	1.0	
69	61	24.0	1.0	22.2	1.0	20.9	1.0	20.0	1.0	19.1	0.9	17.8	0.9	
72	62	24.0	1.0	22.2	1.0	20.9	0.9	20.0	0.9	19.1	0.9	17.8	0.9	
75	64	24.0	0.9	22.2	0.9	20.9	0.9	20.0	0.9	19.1	0.8	17.8	0.8	
78	67	24.0	0.9	22.2	0.8	20.9	0.8	20.0	0.8	19.1	0.8	17.8	0.8	
80	69	24.0	0.8	22.2	0.8	20.9	0.8	20.0	0.7	19.1	0.7	17.8	0.7	

NOTE - All Total Capacity and Power Input Data at 2°F Dry Bulb / 1°F Wet Bulb Outdoor Temperature is simulated at these operating conditions.

Recommended minimum heating operating temperature is -4°F.

Power Input = Compressor + Outdoor Fan Motor.

MBH = 1000 BTUs per hour.

HEATING CAPACITY

VPC018H4M-3P

Combination (%)	Outdoor Temperature (°F)		Indoor Temperature - °F Dry Bulb											
			61		65		68		70		72		75	
	Dry Bulb	Wet Bulb	Total Cap.	Power Input	Total Cap.	Power Input	Total Cap.	Power Input	Total Cap.	Power Input	Total Cap.	Power Input	Total Cap.	Power Input
			MBH	kW	MBH	kW	MBH	kW	MBH	kW	MBH	kW	MBH	kW
90%	-13	-14	12.2	2.6	12.2	2.7	12.1	2.7	12.1	2.8	12.1	2.8	12.0	2.8
	-4	-4	15.4	2.8	15.3	2.8	15.2	2.9	15.2	2.9	15.1	2.9	15.0	3.0
	-2	-2	16.0	2.8	15.9	2.8	15.8	2.9	15.8	2.9	15.7	3.0	15.6	3.0
	6	5	18.5	2.9	18.3	2.9	18.2	3.0	18.0	3.0	17.2	2.9	16.0	2.7
	10	8	19.7	2.9	19.5	3.0	18.8	2.9	18.0	2.8	17.2	2.7	16.0	2.5
	13	12	21.0	3.0	20.0	2.9	18.8	2.7	18.0	2.6	17.2	2.5	16.0	2.4
	15	14	21.6	2.9	20.0	2.8	18.8	2.6	18.0	2.5	17.2	2.4	16.0	2.3
	17	15	21.6	2.9	20.0	2.7	18.8	2.6	18.0	2.5	17.2	2.4	16.0	2.2
	19	18	21.6	2.7	20.0	2.6	18.8	2.4	18.0	2.4	17.2	2.3	16.0	2.1
	22	19	21.6	2.4	20.0	2.2	18.8	2.1	18.0	2.0	17.2	2.0	16.0	1.9
	26	22	21.6	2.2	20.0	2.1	18.8	2.0	18.0	1.9	17.2	1.8	16.0	1.8
	30	26	21.6	2.0	20.0	1.9	18.8	1.8	18.0	1.8	17.2	1.7	16.0	1.6
	35	30	21.6	1.9	20.0	1.8	18.8	1.7	18.0	1.6	17.2	1.6	16.0	1.5
	39	34	21.6	1.7	20.0	1.6	18.8	1.6	18.0	1.5	17.2	1.5	16.0	1.4
	44	38	21.6	1.6	20.0	1.5	18.8	1.4	18.0	1.4	17.2	1.4	16.0	1.3
	47	43	21.6	1.4	20.0	1.4	18.8	1.3	18.0	1.3	17.2	1.3	16.0	1.2
	51	45	21.6	1.4	20.0	1.3	18.8	1.3	18.0	1.2	17.2	1.2	16.0	1.2
	54	47	21.6	1.3	20.0	1.2	18.8	1.2	18.0	1.2	17.2	1.1	16.0	1.1
	57	50	21.6	1.2	20.0	1.2	18.8	1.1	18.0	1.1	17.2	1.1	16.0	1.0
	60	53	21.6	1.1	20.0	1.1	18.8	1.1	18.0	1.0	17.2	1.0	16.0	1.0
63	55	21.6	1.1	20.0	1.0	18.8	1.0	18.0	1.0	17.2	1.0	16.0	0.9	
66	58	21.6	1.0	20.0	1.0	18.8	0.9	18.0	0.9	17.2	0.9	16.0	0.9	
69	61	21.6	0.9	20.0	0.9	18.8	0.9	18.0	0.9	17.2	0.8	16.0	0.8	
72	62	21.6	0.9	20.0	0.9	18.8	0.8	18.0	0.8	17.2	0.8	16.0	0.8	
75	64	21.6	0.8	20.0	0.8	18.8	0.8	18.0	0.8	17.2	0.8	16.0	0.7	
78	67	21.6	0.8	20.0	0.7	18.8	0.7	18.0	0.7	17.2	0.7	16.0	0.7	
80	69	21.6	0.7	20.0	0.7	18.8	0.7	18.0	0.7	17.2	0.6	16.0	0.6	
80%	-13	-14	12.2	2.6	12.2	2.7	12.1	2.8	12.1	2.8	12.1	2.8	12.0	2.9
	-4	-4	15.4	2.8	15.3	2.9	15.2	2.9	15.1	2.9	15.3	3.0	14.2	2.8
	-2	-2	16.0	2.8	15.9	2.9	15.8	2.9	16.0	3.0	15.3	2.9	14.2	2.7
	6	5	18.5	2.9	17.8	2.9	16.7	2.7	16.0	2.6	15.3	2.5	14.2	2.4
	10	8	19.2	2.9	17.8	2.7	16.7	2.6	16.0	2.5	15.3	2.4	14.2	2.2
	13	12	19.2	2.7	17.8	2.5	16.7	2.4	16.0	2.3	15.3	2.2	14.2	2.1
	15	14	19.2	2.6	17.8	2.4	16.7	2.3	16.0	2.2	15.3	2.2	14.2	2.0
	17	15	19.2	2.5	17.8	2.4	16.7	2.2	16.0	2.2	15.3	2.1	14.2	2.0
	19	18	19.2	2.4	17.8	2.2	16.7	2.1	16.0	2.1	15.3	2.0	14.2	1.9
	22	19	19.2	2.1	17.8	1.9	16.7	1.9	16.0	1.8	15.3	1.7	14.2	1.7
	26	22	19.2	1.9	17.8	1.8	16.7	1.7	16.0	1.7	15.3	1.6	14.2	1.6
	30	26	19.2	1.8	17.8	1.7	16.7	1.6	16.0	1.6	15.3	1.5	14.2	1.5
	35	30	19.2	1.6	17.8	1.6	16.7	1.5	16.0	1.5	15.3	1.4	14.2	1.4
	39	34	19.2	1.5	17.8	1.5	16.7	1.4	16.0	1.4	15.3	1.3	14.2	1.3
	44	38	19.2	1.4	17.8	1.3	16.7	1.3	16.0	1.3	15.3	1.2	14.2	1.2
	47	43	19.2	1.3	17.8	1.2	16.7	1.2	16.0	1.1	15.3	1.1	14.2	1.1
	51	45	19.2	1.2	17.8	1.2	16.7	1.1	16.0	1.1	15.3	1.1	14.2	1.0
	54	47	19.2	1.1	17.8	1.1	16.7	1.1	16.0	1.0	15.3	1.0	14.2	1.0
	57	50	19.2	1.1	17.8	1.0	16.7	1.0	16.0	1.0	15.3	1.0	14.2	0.9
	60	53	19.2	1.0	17.8	1.0	16.7	0.9	16.0	0.9	15.3	0.9	14.2	0.8
63	55	19.2	0.9	17.8	0.9	16.7	0.9	16.0	0.9	15.3	0.8	14.2	0.8	
66	58	19.2	0.9	17.8	0.8	16.7	0.8	16.0	0.8	15.3	0.8	14.2	0.8	
69	61	19.2	0.8	17.8	0.8	16.7	0.8	16.0	0.8	15.3	0.7	14.2	0.7	
72	62	19.2	0.8	17.8	0.8	16.7	0.7	16.0	0.7	15.3	0.7	14.2	0.7	
75	64	19.2	0.7	17.8	0.7	16.7	0.7	16.0	0.7	15.3	0.7	14.2	0.7	
78	67	19.2	0.7	17.8	0.6	16.7	0.6	16.0	0.6	15.3	0.6	14.2	0.6	
80	69	19.2	0.7	17.8	0.6	16.7	0.6	16.0	0.6	15.3	0.6	14.2	0.6	

NOTE - All Total Capacity and Power Input Data at 2°F Dry Bulb / 1°F Wet Bulb Outdoor Temperature is simulated at these operating conditions.

Recommended minimum heating operating temperature is -4°F.

Power Input = Compressor + Outdoor Fan Motor.

MBH = 1000 BTUs per hour.

HEATING CAPACITY

VPC018H4M-3P

Combination (%)	Outdoor Temperature (°F)		Indoor Temperature - °F Dry Bulb											
			61		65		68		70		72		75	
			Total Cap.	Power Input	Total Cap.	Power Input	Total Cap.	Power Input	Total Cap.	Power Input	Total Cap.	Power Input	Total Cap.	Power Input
	Dry Bulb	Wet Bulb	MBH	kW	MBH	kW	MBH	kW	MBH	kW	MBH	kW	MBH	kW
70%	-13	-14	12.2	2.7	12.2	2.7	12.1	2.8	12.1	2.8	12.0	2.9	12.0	2.9
	-4	-4	15.4	2.8	15.6	3.0	14.6	2.8	14.0	2.7	13.4	2.6	12.4	2.5
	-2	-2	16.0	2.9	15.6	2.9	14.6	2.7	14.0	2.6	13.4	2.5	12.4	2.4
	6	5	16.8	2.6	15.6	2.5	14.6	2.4	14.0	2.3	13.4	2.2	12.4	2.1
	10	8	16.8	2.5	15.6	2.3	14.6	2.2	14.0	2.1	13.4	2.1	12.4	2.0
	13	12	16.8	2.3	15.6	2.2	14.6	2.1	14.0	2.0	13.4	1.9	12.4	1.9
	15	14	16.8	2.2	15.6	2.1	14.6	2.0	14.0	1.9	13.4	1.9	12.4	1.8
	17	15	16.8	2.1	15.6	2.0	14.6	1.9	14.0	1.9	13.4	1.8	12.4	1.8
	19	18	16.8	2.0	15.6	1.9	14.6	1.9	14.0	1.8	13.4	1.8	12.4	1.7
	22	19	16.8	1.8	15.6	1.7	14.6	1.6	14.0	1.6	13.4	1.5	12.4	1.5
	26	22	16.8	1.7	15.6	1.6	14.6	1.5	14.0	1.5	13.4	1.4	12.4	1.4
	30	26	16.8	1.5	15.6	1.5	14.6	1.4	14.0	1.4	13.4	1.4	12.4	1.3
	35	30	16.8	1.4	15.6	1.4	14.6	1.3	14.0	1.3	13.4	1.2	12.4	1.2
	39	34	16.8	1.3	15.6	1.3	14.6	1.2	14.0	1.2	13.4	1.2	12.4	1.1
	44	38	16.8	1.2	15.6	1.2	14.6	1.1	14.0	1.1	13.4	1.1	12.4	1.0
	47	43	16.8	1.1	15.6	1.1	14.6	1.0	14.0	1.0	13.4	1.0	12.4	0.9
	51	45	16.8	1.0	15.6	1.0	14.6	1.0	14.0	1.0	13.4	0.9	12.4	0.9
	54	47	16.8	1.0	15.6	1.0	14.6	0.9	14.0	0.9	13.4	0.9	12.4	0.9
	57	50	16.8	0.9	15.6	0.9	14.6	0.9	14.0	0.9	13.4	0.8	12.4	0.8
	60	53	16.8	0.9	15.6	0.8	14.6	0.8	14.0	0.8	13.4	0.8	12.4	0.7
63	55	16.8	0.8	15.6	0.8	14.6	0.8	14.0	0.7	13.4	0.7	12.4	0.7	
66	58	16.8	0.8	15.6	0.7	14.6	0.7	14.0	0.7	13.4	0.7	12.4	0.6	
69	61	16.8	0.7	15.6	0.7	14.6	0.7	14.0	0.7	13.4	0.6	12.4	0.6	
72	62	16.8	0.7	15.6	0.7	14.6	0.6	14.0	0.6	13.4	0.6	12.4	0.6	
75	64	16.8	0.6	15.6	0.6	14.6	0.6	14.0	0.6	13.4	0.6	12.4	0.6	
78	67	16.8	0.6	15.6	0.6	14.6	0.6	14.0	0.6	13.4	0.6	12.4	0.6	
80	69	16.8	0.6	15.6	0.6	14.6	0.5	14.0	0.5	13.4	0.5	12.4	0.5	
60%	-13	-14	12.2	2.7	12.2	2.8	12.1	2.8	12.0	2.8	11.5	2.7	10.7	2.6
	-4	-4	14.4	2.7	13.3	2.5	12.5	2.4	12.0	2.3	11.5	2.2	10.7	2.1
	-2	-2	14.4	2.6	13.3	2.4	12.5	2.3	12.0	2.2	11.5	2.1	10.7	2.0
	6	5	14.4	2.2	13.3	2.1	12.5	2.0	12.0	1.9	11.5	1.9	10.7	1.8
	10	8	14.4	2.1	13.3	2.0	12.5	1.9	12.0	1.8	11.5	1.8	10.7	1.7
	13	12	14.4	1.9	13.3	1.9	12.5	1.8	12.0	1.7	11.5	1.7	10.7	1.6
	15	14	14.4	1.9	13.3	1.8	12.5	1.7	12.0	1.7	11.5	1.6	10.7	1.6
	17	15	14.4	1.8	13.3	1.7	12.5	1.7	12.0	1.6	11.5	1.6	10.7	1.5
	19	18	14.4	1.7	13.3	1.7	12.5	1.6	12.0	1.6	11.5	1.5	10.7	1.5
	22	19	14.4	1.5	13.3	1.4	12.5	1.4	12.0	1.4	11.5	1.3	10.7	1.3
	26	22	14.4	1.4	13.3	1.4	12.5	1.3	12.0	1.3	11.5	1.2	10.7	1.2
	30	26	14.4	1.3	13.3	1.3	12.5	1.2	12.0	1.2	11.5	1.2	10.7	1.1
	35	30	14.4	1.2	13.3	1.2	12.5	1.1	12.0	1.1	11.5	1.1	10.7	1.0
	39	34	14.4	1.1	13.3	1.1	12.5	1.1	12.0	1.0	11.5	1.0	10.7	1.0
	44	38	14.4	1.0	13.3	1.0	12.5	1.0	12.0	1.0	11.5	0.9	10.7	0.9
	47	43	14.4	0.9	13.3	0.9	12.5	0.9	12.0	0.9	11.5	0.9	10.7	0.8
	51	45	14.4	0.9	13.3	0.9	12.5	0.9	12.0	0.8	11.5	0.8	10.7	0.8
	54	47	14.4	0.8	13.3	0.8	12.5	0.8	12.0	0.8	11.5	0.8	10.7	0.8
	57	50	14.4	0.8	13.3	0.8	12.5	0.8	12.0	0.7	11.5	0.7	10.7	0.7
	60	53	14.4	0.7	13.3	0.7	12.5	0.7	12.0	0.7	11.5	0.6	10.7	0.6
63	55	14.4	0.7	13.3	0.6	12.5	0.6	12.0	0.6	11.5	0.6	10.7	0.6	
66	58	14.4	0.6	13.3	0.6	12.5	0.6	12.0	0.6	11.5	0.6	10.7	0.6	
69	61	14.4	0.6	13.3	0.6	12.5	0.6	12.0	0.6	11.5	0.6	10.7	0.5	
72	62	14.4	0.6	13.3	0.6	12.5	0.6	12.0	0.6	11.5	0.6	10.7	0.6	
75	64	14.4	0.5	13.3	0.5	12.5	0.5	12.0	0.5	11.5	0.5	10.7	0.5	
78	67	14.4	0.5	13.3	0.5	12.5	0.5	12.0	0.5	11.5	0.5	10.7	0.5	
80	69	14.4	0.5	13.3	0.5	12.5	0.5	12.0	0.5	11.5	0.5	10.7	0.5	

NOTE - All Total Capacity and Power Input Data at 2°F Dry Bulb / 1°F Wet Bulb Outdoor Temperature is simulated at these operating conditions.

Recommended minimum heating operating temperature is -4°F.

Power Input = Compressor + Outdoor Fan Motor.

MBH = 1000 BTUs per hour.

HEATING CAPACITY

VPC018H4M-3P

Combination (%)	Outdoor Temperature (°F)		Indoor Temperature - °F Dry Bulb											
			61		65		68		70		72		75	
	Dry Bulb	Wet Bulb	Total Cap.	Power Input	Total Cap.	Power Input	Total Cap.	Power Input	Total Cap.	Power Input	Total Cap.	Power Input	Total Cap.	Power Input
			MBH	kW	MBH	kW	MBH	kW	MBH	kW	MBH	kW	MBH	kW
50%	-13	-14	12.0	2.7	11.1	2.5	10.4	2.4	10.0	2.3	9.6	2.2	8.9	2.1
	-4	-4	12.0	2.2	11.1	2.1	10.4	2.0	10.0	1.9	9.6	1.8	8.9	1.8
	-2	-2	12.0	2.1	11.1	2.0	10.4	1.9	10.0	1.8	9.6	1.8	8.9	1.7
	6	5	12.0	1.8	11.1	1.8	10.4	1.7	10.0	1.6	9.6	1.6	8.9	1.5
	10	8	12.0	1.7	11.1	1.7	10.4	1.6	10.0	1.6	9.6	1.5	8.9	1.4
	13	12	12.0	1.6	11.1	1.6	10.4	1.5	10.0	1.5	9.6	1.4	8.9	1.4
	15	14	12.0	1.6	11.1	1.5	10.4	1.5	10.0	1.4	9.6	1.4	8.9	1.3
	17	15	12.0	1.5	11.1	1.5	10.4	1.4	10.0	1.4	9.6	1.3	8.9	1.3
	19	18	12.0	1.5	11.1	1.4	10.4	1.4	10.0	1.3	9.6	1.3	8.9	1.2
	22	19	12.0	1.3	11.1	1.2	10.4	1.2	10.0	1.2	9.6	1.1	8.9	1.1
	26	22	12.0	1.2	11.1	1.1	10.4	1.1	10.0	1.1	9.6	1.1	8.9	1.0
	30	26	12.0	1.1	11.1	1.1	10.4	1.0	10.0	1.0	9.6	1.0	8.9	1.0
	35	30	12.0	1.0	11.1	1.0	10.4	1.0	10.0	0.9	9.6	0.9	8.9	0.9
	39	34	12.0	1.0	11.1	0.9	10.4	0.9	10.0	0.9	9.6	0.9	8.9	0.8
	44	38	12.0	0.9	11.1	0.8	10.4	0.8	10.0	0.8	9.6	0.8	8.9	0.8
	47	43	12.0	0.8	11.1	0.8	10.4	0.8	10.0	0.7	9.6	0.7	8.9	0.7
	51	45	12.0	0.8	11.1	0.7	10.4	0.7	10.0	0.7	9.6	0.7	8.9	0.7
	54	47	12.0	0.7	11.1	0.7	10.4	0.7	10.0	0.7	9.6	0.7	8.9	0.7
	57	50	12.0	0.7	11.1	0.7	10.4	0.6	10.0	0.6	9.6	0.6	8.9	0.6
	60	53	12.0	0.6	11.1	0.6	10.4	0.6	10.0	0.6	9.6	0.5	8.9	0.5
63	55	12.0	0.5	11.1	0.5	10.4	0.5	10.0	0.5	9.6	0.5	8.9	0.5	
66	58	12.0	0.5	11.1	0.5	10.4	0.5	10.0	0.5	9.6	0.5	8.9	0.5	
69	61	12.0	0.5	11.1	0.5	10.4	0.5	10.0	0.5	9.6	0.5	8.9	0.5	
72	62	12.0	0.5	11.1	0.5	10.4	0.5	10.0	0.5	9.6	0.5	8.9	0.5	
75	64	12.0	0.5	11.1	0.5	10.4	0.5	10.0	0.5	9.6	0.5	8.9	0.5	
78	67	12.0	0.5	11.1	0.5	10.4	0.5	10.0	0.5	9.6	0.5	8.9	0.5	
80	69	12.0	0.5	11.1	0.4	10.4	0.4	10.0	0.4	9.6	0.4	8.9	0.4	

NOTE - All Total Capacity and Power Input Data at 2°F Dry Bulb / 1°F Wet Bulb Outdoor Temperature is simulated at these operating conditions.

Recommended minimum heating operating temperature is -4°F.

Power Input = Compressor + Outdoor Fan Motor.

MBH = 1000 BTUs per hour.

COOLING CAPACITY

VPC024H4M-3P

Combination (%)	Outdoor Temperature °F (Dry Bulb)	Indoor Temperature - °F (Dry Bulb / Wet Bulb)											
		67 / 57		71 / 60		75 / 63		80 / 67		85 / 71		90 / 75	
		Total Cap. MBH	Power Input kW	Total Cap. MBH	Power Input kW	Total Cap. MBH	Power Input kW	Total Cap. MBH	Power Input kW	Total Cap. MBH	Power Input kW	Total Cap. MBH	Power Input kW
130%	5	18.7	0.6	22.7	0.7	26.5	0.8	31.7	0.9	37.2	1.1	42.4	1.2
	10	18.7	0.6	22.7	0.7	26.5	0.8	31.7	0.9	37.2	1.1	42.4	1.2
	14	18.7	0.6	22.7	0.7	26.5	0.8	31.7	0.9	37.2	1.1	42.4	1.2
	18	18.7	0.6	22.7	0.7	26.5	0.8	31.7	0.9	37.2	1.1	42.4	1.2
	23	18.7	0.6	22.7	0.7	26.5	0.8	31.7	1.0	37.2	1.1	42.4	1.2
	28	18.7	0.6	22.7	0.7	26.5	0.8	31.7	1.0	37.2	1.1	42.4	1.3
	32	18.7	0.6	22.7	0.7	26.5	0.8	31.7	1.0	37.2	1.2	42.4	1.3
	36	18.7	0.6	22.7	0.7	26.5	0.8	31.7	1.0	37.2	1.2	42.4	1.4
	39	18.7	0.6	22.7	0.7	26.5	0.8	31.7	1.0	37.2	1.2	42.4	1.4
	43	18.7	0.6	22.7	0.8	26.5	0.8	31.7	1.0	37.2	1.2	42.4	1.4
	46	18.7	0.6	22.7	0.8	26.5	0.9	31.7	1.0	37.2	1.2	42.4	1.5
	50	18.7	0.7	22.7	0.8	26.5	0.9	31.7	1.1	37.2	1.3	42.4	1.5
	54	18.7	0.7	22.7	0.8	26.5	0.9	31.7	1.1	37.2	1.4	42.4	1.6
	57	18.7	0.7	22.7	0.8	26.5	0.9	31.7	1.1	37.2	1.4	42.4	1.8
	61	18.7	0.7	22.7	0.8	26.5	1.0	31.7	1.2	37.2	1.6	42.4	2.0
	64	18.7	0.7	22.7	0.9	26.5	1.1	31.7	1.4	37.2	1.7	42.4	2.2
	68	18.7	0.8	22.7	1.0	26.5	1.2	31.7	1.5	37.2	1.9	42.4	2.4
	70	18.7	0.9	22.7	1.0	26.5	1.2	31.7	1.6	37.2	2.0	42.4	2.5
	73	18.7	0.9	22.7	1.2	26.5	1.4	31.7	1.7	37.2	2.2	42.4	2.7
	77	18.7	1.0	22.7	1.3	26.5	1.5	31.7	1.9	37.2	2.4	42.4	3.0
	81	18.7	1.1	22.7	1.4	26.5	1.6	31.7	2.1	37.2	2.6	42.4	3.3
84	18.7	1.2	22.7	1.5	26.5	1.8	31.7	2.3	37.2	2.9	42.4	3.6	
88	18.7	1.3	22.7	1.6	26.5	2.0	31.7	2.5	37.2	3.2	42.4	3.9	
91	18.7	1.4	22.7	1.8	26.5	2.1	31.7	2.7	37.2	3.4	42.4	4.3	
95	18.7	1.6	22.7	1.9	26.5	2.3	31.7	2.9	37.2	3.8	40.9	4.4	
99	18.7	1.7	22.7	2.1	26.5	2.5	31.7	3.2	37.2	4.1	39.5	4.4	
102	18.7	1.9	22.7	2.3	26.5	2.7	31.7	3.5	37.2	4.5	38.1	4.4	
106	18.7	2.0	22.7	2.5	26.5	3.0	31.7	3.8	35.1	4.4	36.7	4.4	
109	18.7	2.2	22.7	2.7	26.5	3.2	31.7	4.1	33.7	4.4	35.3	4.4	
113	18.7	2.4	22.7	2.9	26.5	3.5	31.0	4.4	32.4	4.4	33.9	4.4	
118	18.7	2.7	22.7	3.3	26.5	4.0	28.5	4.2	29.1	4.1	29.7	3.8	
122	18.7	2.9	22.7	3.6	24.2	3.8	24.7	3.6	25.4	3.5	25.3	3.2	
120%	5	17.3	0.5	21.0	0.6	24.5	0.7	29.3	0.9	34.3	1.0	39.1	1.1
	10	17.3	0.5	21.0	0.6	24.5	0.7	29.3	0.9	34.3	1.0	39.1	1.1
	14	17.3	0.5	21.0	0.6	24.5	0.7	29.3	0.9	34.3	1.0	39.1	1.1
	18	17.3	0.5	21.0	0.6	24.5	0.7	29.3	0.9	34.3	1.0	39.1	1.1
	23	17.3	0.5	21.0	0.6	24.5	0.8	29.3	0.9	34.3	1.0	39.1	1.1
	28	17.3	0.5	21.0	0.7	24.5	0.8	29.3	0.9	34.3	1.0	39.1	1.2
	32	17.3	0.5	21.0	0.7	24.5	0.8	29.3	0.9	34.3	1.0	39.1	1.2
	36	17.3	0.5	21.0	0.7	24.5	0.8	29.3	0.9	34.3	1.0	39.1	1.2
	39	17.3	0.6	21.0	0.7	24.5	0.8	29.3	0.9	34.3	1.1	39.1	1.3
	43	17.3	0.6	21.0	0.7	24.5	0.8	29.3	0.9	34.3	1.1	39.1	1.3
	46	17.3	0.6	21.0	0.7	24.5	0.8	29.3	0.9	34.3	1.1	39.1	1.3
	50	17.3	0.6	21.0	0.7	24.5	0.8	29.3	1.0	34.3	1.1	39.1	1.3
	54	17.3	0.6	21.0	0.7	24.5	0.8	29.3	1.0	34.3	1.2	39.1	1.4
	57	17.3	0.6	21.0	0.7	24.5	0.9	29.3	1.0	34.3	1.2	39.1	1.5
	61	17.3	0.6	21.0	0.8	24.5	0.9	29.3	1.1	34.3	1.4	39.1	1.6
	64	17.3	0.6	21.0	0.8	24.5	1.0	29.3	1.2	34.3	1.5	39.1	1.8
	68	17.3	0.7	21.0	0.9	24.5	1.1	29.3	1.3	34.3	1.7	39.1	2.0
	70	17.3	0.8	21.0	0.9	24.5	1.1	29.3	1.4	34.3	1.7	39.1	2.1
	73	17.3	0.9	21.0	1.0	24.5	1.2	29.3	1.5	34.3	1.9	39.1	2.3
	77	17.3	0.9	21.0	1.1	24.5	1.3	29.3	1.7	34.3	2.1	39.1	2.6
	81	17.3	1.0	21.0	1.2	24.5	1.5	29.3	1.8	34.3	2.3	39.1	2.8
84	17.3	1.1	21.0	1.4	24.5	1.6	29.3	2.0	34.3	2.5	39.1	3.1	
88	17.3	1.2	21.0	1.5	24.5	1.7	29.3	2.2	34.3	2.7	39.1	3.4	
91	17.3	1.3	21.0	1.6	24.5	1.9	29.3	2.4	34.3	3.0	39.1	3.7	
95	17.3	1.4	21.0	1.8	24.5	2.1	29.3	2.6	34.3	3.3	39.1	4.0	
99	17.3	1.6	21.0	1.9	24.5	2.3	29.3	2.8	34.3	3.6	39.1	4.4	
102	17.3	1.7	21.0	2.1	24.5	2.4	29.3	3.1	34.3	3.9	37.3	4.4	
106	17.3	1.8	21.0	2.2	24.5	2.7	29.3	3.3	34.3	4.3	36.0	4.4	
109	17.3	2.0	21.0	2.4	24.5	2.9	29.3	3.6	33.1	4.4	34.6	4.4	
113	17.3	2.2	21.0	2.6	24.5	3.1	29.3	4.0	31.8	4.4	33.4	4.4	
118	17.3	2.4	21.0	3.0	24.5	3.6	28.4	4.4	28.8	4.1	29.4	3.9	
122	17.3	2.7	21.0	3.3	24.5	3.9	24.5	3.6	24.9	3.4	25.2	3.2	

NOTE - Power Input = Compressor + Outdoor Fan Motor.
 MBH = 1000 BTUs per hour.

COOLING CAPACITY

VPC024H4M-3P

Combination (%)	Outdoor Temperature °F (Dry Bulb)	Indoor Temperature - °F (Dry Bulb / Wet Bulb)											
		67 / 57		71 / 60		75 / 63		80 / 67		85 / 71		90 / 75	
		Total Cap. MBH	Power Input kW	Total Cap. MBH	Power Input kW	Total Cap. MBH	Power Input kW	Total Cap. MBH	Power Input kW	Total Cap. MBH	Power Input kW	Total Cap. MBH	Power Input kW
110%	5	15.8	0.5	19.2	0.6	22.4	0.7	26.8	0.8	31.4	0.9	35.9	1.0
	10	15.8	0.5	19.2	0.6	22.4	0.7	26.8	0.8	31.4	0.9	35.9	1.0
	14	15.8	0.5	19.2	0.6	22.4	0.7	26.8	0.8	31.4	0.9	35.9	1.0
	18	15.8	0.5	19.2	0.6	22.4	0.7	26.8	0.8	31.4	0.9	35.9	1.0
	23	15.8	0.5	19.2	0.6	22.4	0.7	26.8	0.8	31.4	0.9	35.9	1.0
	28	15.8	0.5	19.2	0.6	22.4	0.7	26.8	0.8	31.4	0.9	35.9	1.0
	32	15.8	0.5	19.2	0.6	22.4	0.7	26.8	0.8	31.4	0.9	35.9	1.1
	36	15.8	0.5	19.2	0.6	22.4	0.7	26.8	0.8	31.4	0.9	35.9	1.1
	39	15.8	0.5	19.2	0.6	22.4	0.7	26.8	0.8	31.4	1.0	35.9	1.1
	43	15.8	0.5	19.2	0.6	22.4	0.7	26.8	0.8	31.4	1.0	35.9	1.1
	46	15.8	0.5	19.2	0.6	22.4	0.7	26.8	0.8	31.4	1.0	35.9	1.1
	50	15.8	0.5	19.2	0.6	22.4	0.7	26.8	0.9	31.4	1.0	35.9	1.1
	54	15.8	0.5	19.2	0.7	22.4	0.8	26.8	0.9	31.4	1.1	35.9	1.2
	57	15.8	0.5	19.2	0.7	22.4	0.8	26.8	0.9	31.4	1.1	35.9	1.3
	61	15.8	0.6	19.2	0.7	22.4	0.8	26.8	0.9	31.4	1.2	35.9	1.4
	64	15.8	0.6	19.2	0.7	22.4	0.8	26.8	1.0	31.4	1.3	35.9	1.5
	68	15.8	0.7	19.2	0.8	22.4	0.9	26.8	1.2	31.4	1.4	35.9	1.7
	70	15.8	0.7	19.2	0.8	22.4	1.0	26.8	1.2	31.4	1.5	35.9	1.8
	73	15.8	0.8	19.2	0.9	22.4	1.1	26.8	1.3	31.4	1.7	35.9	2.0
	77	15.8	0.8	19.2	1.0	22.4	1.2	26.8	1.5	31.4	1.8	35.9	2.2
	81	15.8	0.9	19.2	1.1	22.4	1.3	26.8	1.6	31.4	2.0	35.9	2.4
	84	15.8	1.0	19.2	1.2	22.4	1.4	26.8	1.8	31.4	2.2	35.9	2.6
88	15.8	1.1	19.2	1.3	22.4	1.6	26.8	1.9	31.4	2.4	35.9	2.9	
91	15.8	1.2	19.2	1.4	22.4	1.7	26.8	2.1	31.4	2.6	35.9	3.1	
95	15.8	1.3	19.2	1.6	22.4	1.9	26.8	2.3	31.4	2.8	35.9	3.4	
99	15.8	1.4	19.2	1.7	22.4	2.0	26.8	2.5	31.4	3.1	35.9	3.7	
102	15.8	1.5	19.2	1.9	22.4	2.2	26.8	2.7	31.4	3.4	35.9	4.1	
106	15.8	1.7	19.2	2.0	22.4	2.4	26.8	2.9	31.4	3.7	35.9	4.5	
109	15.8	1.8	19.2	2.2	22.4	2.6	26.8	3.2	31.4	4.0	33.9	4.4	
113	15.8	2.0	19.2	2.4	22.4	2.8	26.8	3.5	31.4	4.4	32.6	4.4	
118	15.8	2.2	19.2	2.7	22.4	3.2	26.8	4.0	28.6	4.2	29.1	4.0	
122	15.8	2.4	19.2	2.9	22.4	3.5	24.4	3.7	24.9	3.6	25.3	3.4	
100%	5	14.4	0.5	17.5	0.5	20.4	0.6	24.4	0.7	28.6	0.8	32.6	0.9
	10	14.4	0.5	17.5	0.5	20.4	0.6	24.4	0.7	28.6	0.8	32.6	0.9
	14	14.4	0.5	17.5	0.5	20.4	0.6	24.4	0.7	28.6	0.8	32.6	0.9
	18	14.4	0.5	17.5	0.5	20.4	0.6	24.4	0.7	28.6	0.8	32.6	1.0
	23	14.4	0.5	17.5	0.5	20.4	0.6	24.4	0.7	28.6	0.8	32.6	1.0
	28	14.4	0.5	17.5	0.5	20.4	0.6	24.4	0.7	28.6	0.9	32.6	1.0
	32	14.4	0.5	17.5	0.5	20.4	0.6	24.4	0.7	28.6	0.9	32.6	1.0
	36	14.4	0.5	17.5	0.6	20.4	0.6	24.4	0.8	28.6	0.9	32.6	1.0
	39	14.4	0.5	17.5	0.6	20.4	0.6	24.4	0.8	28.6	0.9	32.6	1.0
	43	14.4	0.5	17.5	0.6	20.4	0.6	24.4	0.8	28.6	0.9	32.6	1.0
	46	14.4	0.5	17.5	0.6	20.4	0.7	24.4	0.8	28.6	0.9	32.6	1.0
	50	14.4	0.5	17.5	0.6	20.4	0.7	24.4	0.8	28.6	0.9	32.6	1.0
	54	14.4	0.5	17.5	0.6	20.4	0.7	24.4	0.8	28.6	0.9	32.6	1.0
	57	14.4	0.5	17.5	0.6	20.4	0.7	24.4	0.8	28.6	0.9	32.6	1.1
	61	14.4	0.5	17.5	0.6	20.4	0.7	24.4	0.8	28.6	1.0	32.6	1.2
	64	14.4	0.5	17.5	0.6	20.4	0.7	24.4	0.9	28.6	1.1	32.6	1.3
	68	14.4	0.6	17.5	0.7	20.4	0.8	24.4	1.0	28.6	1.2	32.6	1.5
	70	14.4	0.6	17.5	0.8	20.4	0.9	24.4	1.1	28.6	1.3	32.6	1.5
	73	14.4	0.7	17.5	0.8	20.4	1.0	24.4	1.2	28.6	1.4	32.6	1.7
	77	14.4	0.8	17.5	0.9	20.4	1.1	24.4	1.3	28.6	1.6	32.6	1.8
	81	14.4	0.8	17.5	1.0	20.4	1.2	24.4	1.4	28.6	1.7	32.6	2.0
	84	14.4	0.9	17.5	1.1	20.4	1.3	24.4	1.5	28.6	1.9	32.6	2.2
88	14.4	1.0	17.5	1.2	20.4	1.4	24.4	1.7	28.6	2.0	32.6	2.4	
91	14.4	1.1	17.5	1.3	20.4	1.5	24.4	1.8	28.6	2.2	32.6	2.6	
95	14.4	1.2	17.5	1.4	20.4	1.6	24.4	2.0	28.6	2.4	32.6	2.9	
99	14.4	1.3	17.5	1.5	20.4	1.8	24.4	2.2	28.6	2.7	32.6	3.2	
102	14.4	1.4	17.5	1.7	20.4	1.9	24.4	2.4	28.6	2.9	32.6	3.5	
106	14.4	1.5	17.5	1.8	20.4	2.1	24.4	2.6	28.6	3.1	32.6	3.8	
109	14.4	1.6	17.5	2.0	20.4	2.3	24.4	2.8	28.6	3.4	32.6	4.1	
113	14.4	1.8	17.5	2.1	20.4	2.5	24.4	3.1	28.6	3.7	31.9	4.4	
118	14.4	2.0	17.5	2.4	20.4	2.8	24.4	3.5	28.6	4.3	28.9	4.1	
122	14.4	2.2	17.5	2.6	20.4	3.1	24.4	3.8	24.7	3.6	24.9	3.4	

NOTE - Power Input = Compressor + Outdoor Fan Motor.
 MBH = 1000 BTUs per hour.

COOLING CAPACITY

VPC024H4M-3P

Combination (%)	Outdoor Temperature °F (Dry Bulb)	Indoor Temperature - °F (Dry Bulb / Wet Bulb)											
		67 / 57		71 / 60		75 / 63		80 / 67		85 / 71		90 / 75	
		Total Cap. MBH	Power Input kW	Total Cap. MBH	Power Input kW	Total Cap. MBH	Power Input kW	Total Cap. MBH	Power Input kW	Total Cap. MBH	Power Input kW	Total Cap. MBH	Power Input kW
90%	5	12.9	0.4	15.7	0.5	18.4	0.6	22.0	0.7	25.7	0.8	29.3	0.8
	10	12.9	0.4	15.7	0.5	18.4	0.6	22.0	0.7	25.7	0.8	29.3	0.9
	14	12.9	0.4	15.7	0.5	18.4	0.6	22.0	0.7	25.7	0.8	29.3	0.9
	18	12.9	0.4	15.7	0.5	18.4	0.6	22.0	0.7	25.7	0.8	29.3	0.9
	23	12.9	0.4	15.7	0.5	18.4	0.6	22.0	0.7	25.7	0.8	29.3	0.9
	28	12.9	0.4	15.7	0.5	18.4	0.6	22.0	0.7	25.7	0.8	29.3	0.9
	32	12.9	0.4	15.7	0.5	18.4	0.6	22.0	0.7	25.7	0.8	29.3	0.9
	36	12.9	0.4	15.7	0.5	18.4	0.6	22.0	0.7	25.7	0.8	29.3	0.9
	39	12.9	0.4	15.7	0.5	18.4	0.6	22.0	0.7	25.7	0.8	29.3	0.9
	43	12.9	0.4	15.7	0.5	18.4	0.6	22.0	0.7	25.7	0.8	29.3	0.9
	46	12.9	0.4	15.7	0.5	18.4	0.6	22.0	0.7	25.7	0.8	29.3	0.9
	50	12.9	0.4	15.7	0.5	18.4	0.6	22.0	0.7	25.7	0.8	29.3	0.9
	54	12.9	0.4	15.7	0.5	18.4	0.6	22.0	0.7	25.7	0.8	29.3	0.9
	57	12.9	0.4	15.7	0.5	18.4	0.6	22.0	0.7	25.7	0.8	29.3	0.9
	61	12.9	0.4	15.7	0.5	18.4	0.6	22.0	0.7	25.7	0.9	29.3	1.0
	64	12.9	0.5	15.7	0.5	18.4	0.6	22.0	0.8	25.7	0.9	29.3	1.1
	68	12.9	0.6	15.7	0.6	18.4	0.7	22.0	0.9	25.7	1.0	29.3	1.2
	70	12.9	0.6	15.7	0.7	18.4	0.8	22.0	0.9	25.7	1.1	29.3	1.3
	73	12.9	0.6	15.7	0.7	18.4	0.8	22.0	1.0	25.7	1.2	29.3	1.4
	77	12.9	0.7	15.7	0.8	18.4	0.9	22.0	1.1	25.7	1.3	29.3	1.6
	81	12.9	0.8	15.7	0.9	18.4	1.0	22.0	1.2	25.7	1.5	29.3	1.7
84	12.9	0.8	15.7	1.0	18.4	1.1	22.0	1.3	25.7	1.6	29.3	1.9	
88	12.9	0.9	15.7	1.1	18.4	1.2	22.0	1.5	25.7	1.8	29.3	2.1	
91	12.9	1.0	15.7	1.2	18.4	1.3	22.0	1.6	25.7	1.9	29.3	2.3	
95	12.9	1.1	15.7	1.3	18.4	1.4	22.0	1.7	25.7	2.1	29.3	2.5	
99	12.9	1.1	15.7	1.4	18.4	1.6	22.0	1.9	25.7	2.3	29.3	2.7	
102	12.9	1.2	15.7	1.5	18.4	1.7	22.0	2.1	25.7	2.5	29.3	2.9	
106	12.9	1.4	15.7	1.6	18.4	1.9	22.0	2.3	25.7	2.7	29.3	3.2	
109	12.9	1.5	15.7	1.8	18.4	2.0	22.0	2.5	25.7	3.0	29.3	3.5	
113	12.9	1.6	15.7	1.9	18.4	2.2	22.0	2.7	25.7	3.2	29.3	3.8	
118	12.9	1.8	15.7	2.2	18.4	2.5	22.0	3.0	25.7	3.6	28.6	4.2	
122	12.9	2.0	15.7	2.3	18.4	2.7	22.0	3.3	24.5	3.7	24.8	3.5	
80%	5	11.5	0.4	14.0	0.4	16.3	0.5	19.5	0.6	22.9	0.7	26.1	0.8
	10	11.5	0.4	14.0	0.4	16.3	0.5	19.5	0.6	22.9	0.7	26.1	0.8
	14	11.5	0.4	14.0	0.4	16.3	0.5	19.5	0.6	22.9	0.7	26.1	0.8
	18	11.5	0.4	14.0	0.4	16.3	0.5	19.5	0.6	22.9	0.7	26.1	0.8
	23	11.5	0.4	14.0	0.4	16.3	0.5	19.5	0.6	22.9	0.7	26.1	0.8
	28	11.5	0.4	14.0	0.4	16.3	0.5	19.5	0.6	22.9	0.7	26.1	0.8
	32	11.5	0.4	14.0	0.4	16.3	0.5	19.5	0.6	22.9	0.7	26.1	0.8
	36	11.5	0.4	14.0	0.4	16.3	0.5	19.5	0.6	22.9	0.7	26.1	0.8
	39	11.5	0.4	14.0	0.4	16.3	0.5	19.5	0.6	22.9	0.7	26.1	0.8
	43	11.5	0.4	14.0	0.5	16.3	0.5	19.5	0.6	22.9	0.7	26.1	0.8
	46	11.5	0.4	14.0	0.5	16.3	0.5	19.5	0.6	22.9	0.7	26.1	0.8
	50	11.5	0.4	14.0	0.5	16.3	0.5	19.5	0.6	22.9	0.7	26.1	0.8
	54	11.5	0.4	14.0	0.5	16.3	0.5	19.5	0.6	22.9	0.7	26.1	0.8
	57	11.5	0.4	14.0	0.5	16.3	0.5	19.5	0.6	22.9	0.7	26.1	0.8
	61	11.5	0.4	14.0	0.5	16.3	0.6	19.5	0.6	22.9	0.7	26.1	0.8
	64	11.5	0.4	14.0	0.5	16.3	0.6	19.5	0.7	22.9	0.8	26.1	0.9
	68	11.5	0.5	14.0	0.6	16.3	0.7	19.5	0.8	22.9	0.9	26.1	1.0
	70	11.5	0.5	14.0	0.6	16.3	0.7	19.5	0.8	22.9	0.9	26.1	1.1
	73	11.5	0.6	14.0	0.7	16.3	0.7	19.5	0.9	22.9	1.0	26.1	1.2
	77	11.5	0.6	14.0	0.7	16.3	0.8	19.5	1.0	22.9	1.1	26.1	1.3
	81	11.5	0.7	14.0	0.8	16.3	0.9	19.5	1.1	22.9	1.2	26.1	1.4
84	11.5	0.7	14.0	0.9	16.3	1.0	19.5	1.2	22.9	1.4	26.1	1.6	
88	11.5	0.8	14.0	0.9	16.3	1.1	19.5	1.3	22.9	1.5	26.1	1.7	
91	11.5	0.9	14.0	1.0	16.3	1.2	19.5	1.4	22.9	1.6	26.1	1.9	
95	11.5	0.9	14.0	1.1	16.3	1.3	19.5	1.5	22.9	1.8	26.1	2.1	
99	11.5	1.0	14.0	1.2	16.3	1.4	19.5	1.6	22.9	2.0	26.1	2.3	
102	11.5	1.1	14.0	1.3	16.3	1.5	19.5	1.8	22.9	2.1	26.1	2.5	
106	11.5	1.2	14.0	1.4	16.3	1.6	19.5	2.0	22.9	2.3	26.1	2.7	
109	11.5	1.3	14.0	1.5	16.3	1.8	19.5	2.1	22.9	2.5	26.1	2.9	
113	11.5	1.4	14.0	1.7	16.3	1.9	19.5	2.3	22.9	2.8	26.1	3.2	
118	11.5	1.6	14.0	1.9	16.3	2.2	19.5	2.6	22.9	3.1	26.1	3.6	
122	11.5	1.8	14.0	2.1	16.3	2.4	19.5	2.9	22.9	3.4	24.6	3.6	

NOTE - Power Input = Compressor + Outdoor Fan Motor.
 MBH = 1000 BTUs per hour.

COOLING CAPACITY

VPC024H4M-3P

Combination (%)	Outdoor Temperature °F (Dry Bulb)	Indoor Temperature - °F (Dry Bulb / Wet Bulb)											
		67 / 57		71 / 60		75 / 63		80 / 67		85 / 71		90 / 75	
		Total Cap. MBH	Power Input kW	Total Cap. MBH	Power Input kW	Total Cap. MBH	Power Input kW	Total Cap. MBH	Power Input kW	Total Cap. MBH	Power Input kW	Total Cap. MBH	Power Input kW
70%	5	10.1	0.3	12.2	0.4	14.3	0.4	17.1	0.5	20.0	0.6	22.8	0.7
	10	10.1	0.3	12.2	0.4	14.3	0.4	17.1	0.5	20.0	0.6	22.8	0.7
	14	10.1	0.3	12.2	0.4	14.3	0.4	17.1	0.5	20.0	0.6	22.8	0.7
	18	10.1	0.3	12.2	0.4	14.3	0.4	17.1	0.5	20.0	0.6	22.8	0.7
	23	10.1	0.3	12.2	0.4	14.3	0.5	17.1	0.5	20.0	0.6	22.8	0.7
	28	10.1	0.3	12.2	0.4	14.3	0.5	17.1	0.5	20.0	0.6	22.8	0.7
	32	10.1	0.3	12.2	0.4	14.3	0.5	17.1	0.5	20.0	0.6	22.8	0.7
	36	10.1	0.3	12.2	0.4	14.3	0.5	17.1	0.5	20.0	0.6	22.8	0.7
	39	10.1	0.3	12.2	0.4	14.3	0.5	17.1	0.5	20.0	0.6	22.8	0.7
	43	10.1	0.3	12.2	0.4	14.3	0.5	17.1	0.5	20.0	0.6	22.8	0.7
	46	10.1	0.3	12.2	0.4	14.3	0.5	17.1	0.5	20.0	0.6	22.8	0.7
	50	10.1	0.3	12.2	0.4	14.3	0.5	17.1	0.5	20.0	0.6	22.8	0.7
	54	10.1	0.4	12.2	0.4	14.3	0.5	17.1	0.6	20.0	0.6	22.8	0.7
	57	10.1	0.4	12.2	0.4	14.3	0.5	17.1	0.6	20.0	0.6	22.8	0.7
	61	10.1	0.4	12.2	0.4	14.3	0.5	17.1	0.6	20.0	0.7	22.8	0.7
	64	10.1	0.4	12.2	0.5	14.3	0.5	17.1	0.6	20.0	0.7	22.8	0.8
	68	10.1	0.4	12.2	0.5	14.3	0.6	17.1	0.7	20.0	0.8	22.8	0.8
	70	10.1	0.5	12.2	0.5	14.3	0.6	17.1	0.7	20.0	0.8	22.8	0.9
	73	10.1	0.5	12.2	0.6	14.3	0.6	17.1	0.7	20.0	0.9	22.8	1.0
	77	10.1	0.6	12.2	0.6	14.3	0.7	17.1	0.8	20.0	1.0	22.8	1.1
81	10.1	0.6	12.2	0.7	14.3	0.8	17.1	0.9	20.0	1.1	22.8	1.2	
84	10.1	0.7	12.2	0.7	14.3	0.8	17.1	1.0	20.0	1.2	22.8	1.3	
88	10.1	0.7	12.2	0.8	14.3	0.9	17.1	1.1	20.0	1.3	22.8	1.4	
91	10.1	0.8	12.2	0.9	14.3	1.0	17.1	1.2	20.0	1.4	22.8	1.6	
95	10.1	0.8	12.2	1.0	14.3	1.1	17.1	1.3	20.0	1.5	22.8	1.7	
99	10.1	0.9	12.2	1.1	14.3	1.2	17.1	1.4	20.0	1.7	22.8	1.9	
102	10.1	1.0	12.2	1.1	14.3	1.3	17.1	1.5	20.0	1.8	22.8	2.1	
106	10.1	1.1	12.2	1.2	14.3	1.4	17.1	1.7	20.0	2.0	22.8	2.3	
109	10.1	1.2	12.2	1.4	14.3	1.5	17.1	1.8	20.0	2.1	22.8	2.5	
113	10.1	1.3	12.2	1.5	14.3	1.7	17.1	2.0	20.0	2.3	22.8	2.7	
118	10.1	1.4	12.2	1.7	14.3	1.9	17.1	2.3	20.0	2.7	22.8	3.1	
122	10.1	1.6	12.2	1.8	14.3	2.1	17.1	2.5	20.0	2.9	22.8	3.3	
60%	5	8.6	0.3	10.5	0.3	12.2	0.4	14.6	0.5	17.2	0.5	19.6	0.6
	10	8.6	0.3	10.5	0.3	12.2	0.4	14.6	0.5	17.2	0.5	19.6	0.6
	14	8.6	0.3	10.5	0.3	12.2	0.4	14.6	0.5	17.2	0.5	19.6	0.6
	18	8.6	0.3	10.5	0.3	12.2	0.4	14.6	0.5	17.2	0.5	19.6	0.6
	23	8.6	0.3	10.5	0.3	12.2	0.4	14.6	0.5	17.2	0.5	19.6	0.6
	28	8.6	0.3	10.5	0.3	12.2	0.4	14.6	0.5	17.2	0.5	19.6	0.6
	32	8.6	0.3	10.5	0.3	12.2	0.4	14.6	0.5	17.2	0.5	19.6	0.6
	36	8.6	0.3	10.5	0.3	12.2	0.4	14.6	0.5	17.2	0.5	19.6	0.6
	39	8.6	0.3	10.5	0.3	12.2	0.4	14.6	0.5	17.2	0.5	19.6	0.6
	43	8.6	0.3	10.5	0.4	12.2	0.4	14.6	0.5	17.2	0.5	19.6	0.6
	46	8.6	0.3	10.5	0.4	12.2	0.4	14.6	0.5	17.2	0.5	19.6	0.6
	50	8.6	0.3	10.5	0.4	12.2	0.4	14.6	0.5	17.2	0.6	19.6	0.6
	54	8.6	0.3	10.5	0.4	12.2	0.4	14.6	0.5	17.2	0.6	19.6	0.6
	57	8.6	0.3	10.5	0.4	12.2	0.4	14.6	0.5	17.2	0.6	19.6	0.6
	61	8.6	0.3	10.5	0.4	12.2	0.4	14.6	0.5	17.2	0.6	19.6	0.7
	64	8.6	0.4	10.5	0.4	12.2	0.5	14.6	0.5	17.2	0.6	19.6	0.7
	68	8.6	0.4	10.5	0.4	12.2	0.5	14.6	0.6	17.2	0.7	19.6	0.7
	70	8.6	0.4	10.5	0.5	12.2	0.5	14.6	0.6	17.2	0.7	19.6	0.7
	73	8.6	0.5	10.5	0.5	12.2	0.6	14.6	0.6	17.2	0.7	19.6	0.8
	77	8.6	0.5	10.5	0.6	12.2	0.6	14.6	0.7	17.2	0.8	19.6	0.9
81	8.6	0.5	10.5	0.6	12.2	0.7	14.6	0.8	17.2	0.9	19.6	1.0	
84	8.6	0.6	10.5	0.7	12.2	0.7	14.6	0.8	17.2	1.0	19.6	1.1	
88	8.6	0.6	10.5	0.7	12.2	0.8	14.6	0.9	17.2	1.1	19.6	1.2	
91	8.6	0.7	10.5	0.8	12.2	0.9	14.6	1.0	17.2	1.2	19.6	1.3	
95	8.6	0.7	10.5	0.8	12.2	0.9	14.6	1.1	17.2	1.3	19.6	1.4	
99	8.6	0.8	10.5	0.9	12.2	1.0	14.6	1.2	17.2	1.4	19.6	1.6	
102	8.6	0.9	10.5	1.0	12.2	1.1	14.6	1.3	17.2	1.5	19.6	1.7	
106	8.6	0.9	10.5	1.1	12.2	1.2	14.6	1.4	17.2	1.6	19.6	1.9	
109	8.6	1.0	10.5	1.2	12.2	1.3	14.6	1.5	17.2	1.8	19.6	2.0	
113	8.6	1.1	10.5	1.3	12.2	1.4	14.6	1.7	17.2	2.0	19.6	2.2	
118	8.6	1.2	10.5	1.4	12.2	1.6	14.6	1.9	17.2	2.2	19.6	2.5	
122	8.6	1.4	10.5	1.6	12.2	1.8	14.6	2.1	17.2	2.4	19.6	2.8	

NOTE - Power Input = Compressor + Outdoor Fan Motor.
MBH = 1000 BTUs per hour.

COOLING CAPACITY

VPC024H4M-3P

Combination (%)	Outdoor Temperature °F (Dry Bulb)	Indoor Temperature - °F (Dry Bulb / Wet Bulb)											
		67 / 57		71 / 60		75 / 63		80 / 67		85 / 71		90 / 75	
		Total Cap. MBH	Power Input kW	Total Cap. MBH	Power Input kW	Total Cap. MBH	Power Input kW	Total Cap. MBH	Power Input kW	Total Cap. MBH	Power Input kW	Total Cap. MBH	Power Input kW
50%	5	7.2	0.2	8.7	0.3	10.2	0.3	12.2	0.4	14.3	0.4	16.3	0.5
	10	7.2	0.2	8.7	0.3	10.2	0.3	12.2	0.4	14.3	0.4	16.3	0.5
	14	7.2	0.2	8.7	0.3	10.2	0.3	12.2	0.4	14.3	0.4	16.3	0.5
	18	7.2	0.2	8.7	0.3	10.2	0.3	12.2	0.4	14.3	0.4	16.3	0.5
	23	7.2	0.3	8.7	0.3	10.2	0.3	12.2	0.4	14.3	0.5	16.3	0.5
	28	7.2	0.3	8.7	0.3	10.2	0.3	12.2	0.4	14.3	0.5	16.3	0.5
	32	7.2	0.3	8.7	0.3	10.2	0.3	12.2	0.4	14.3	0.5	16.3	0.5
	36	7.2	0.3	8.7	0.3	10.2	0.3	12.2	0.4	14.3	0.5	16.3	0.5
	39	7.2	0.3	8.7	0.3	10.2	0.3	12.2	0.4	14.3	0.5	16.3	0.5
	43	7.2	0.3	8.7	0.3	10.2	0.4	12.2	0.4	14.3	0.5	16.3	0.5
	46	7.2	0.3	8.7	0.3	10.2	0.4	12.2	0.4	14.3	0.5	16.3	0.5
	50	7.2	0.3	8.7	0.3	10.2	0.4	12.2	0.4	14.3	0.5	16.3	0.5
	54	7.2	0.3	8.7	0.3	10.2	0.4	12.2	0.4	14.3	0.5	16.3	0.5
	57	7.2	0.3	8.7	0.3	10.2	0.4	12.2	0.4	14.3	0.5	16.3	0.6
	61	7.2	0.3	8.7	0.3	10.2	0.4	12.2	0.4	14.3	0.5	16.3	0.6
	64	7.2	0.3	8.7	0.3	10.2	0.4	12.2	0.5	14.3	0.5	16.3	0.6
	68	7.2	0.4	8.7	0.4	10.2	0.4	12.2	0.5	14.3	0.6	16.3	0.6
	70	7.2	0.4	8.7	0.4	10.2	0.5	12.2	0.5	14.3	0.6	16.3	0.6
	73	7.2	0.4	8.7	0.5	10.2	0.5	12.2	0.5	14.3	0.6	16.3	0.7
	77	7.2	0.4	8.7	0.5	10.2	0.5	12.2	0.6	14.3	0.7	16.3	0.7
81	7.2	0.5	8.7	0.5	10.2	0.6	12.2	0.6	14.3	0.7	16.3	0.8	
84	7.2	0.5	8.7	0.6	10.2	0.6	12.2	0.7	14.3	0.8	16.3	0.9	
88	7.2	0.6	8.7	0.6	10.2	0.7	12.2	0.8	14.3	0.9	16.3	1.0	
91	7.2	0.6	8.7	0.7	10.2	0.7	12.2	0.8	14.3	0.9	16.3	1.1	
95	7.2	0.6	8.7	0.7	10.2	0.8	12.2	0.9	14.3	1.0	16.3	1.2	
99	7.2	0.7	8.7	0.8	10.2	0.9	12.2	1.0	14.3	1.1	16.3	1.3	
102	7.2	0.7	8.7	0.8	10.2	0.9	12.2	1.1	14.3	1.2	16.3	1.4	
106	7.2	0.8	8.7	0.9	10.2	1.0	12.2	1.2	14.3	1.3	16.3	1.5	
109	7.2	0.9	8.7	1.0	10.2	1.1	12.2	1.3	14.3	1.5	16.3	1.7	
113	7.2	0.9	8.7	1.1	10.2	1.2	12.2	1.4	14.3	1.6	16.3	1.8	
118	7.2	1.1	8.7	1.2	10.2	1.4	12.2	1.6	14.3	1.8	16.3	2.1	
122	7.2	1.2	8.7	1.2	10.2	1.5	12.2	1.7	14.3	2.0	16.3	2.2	

NOTE - Power Input = Compressor + Outdoor Fan Motor.
 MBH = 1000 BTUs per hour.

HEATING CAPACITY

VPC024H4M-3P

Combination (%)	Outdoor Temperature (°F)		Indoor Temperature - °F Dry Bulb											
			61		65		68		70		72		75	
	Dry Bulb	Wet Bulb	Total Cap.	Power Input	Total Cap.	Power Input	Total Cap.	Power Input	Total Cap.	Power Input	Total Cap.	Power Input	Total Cap.	Power Input
			MBH	kW	MBH	kW	MBH	kW	MBH	kW	MBH	kW	MBH	kW
130%	-13	-14	13.9	2.7	13.9	2.7	13.9	2.8	13.9	2.8	13.9	2.8	13.8	2.9
	-4	-4	17.5	2.8	17.5	2.8	17.4	2.9	17.4	2.9	17.3	3.0	17.2	3.0
	-2	-2	18.2	2.8	18.1	2.9	18.1	2.9	18.0	3.0	18.0	3.0	17.9	3.1
	6	5	21.0	2.8	20.9	2.9	20.8	3.0	20.7	3.0	20.7	3.1	20.5	3.1
	10	8	22.4	2.9	22.3	3.0	22.2	3.0	22.1	3.1	22.0	3.1	21.8	3.2
	13	12	23.9	2.9	23.8	3.0	23.6	3.1	23.5	3.1	23.4	3.1	23.3	3.2
	15	14	24.8	2.9	24.6	3.0	24.5	3.1	24.3	3.1	24.2	3.2	24.1	3.2
	17	15	25.4	2.9	25.2	3.0	25.1	3.1	24.9	3.1	24.8	3.2	24.6	3.3
	19	18	26.5	2.9	26.3	3.0	26.1	3.1	26.0	3.2	25.9	3.2	25.7	3.3
	22	19	26.8	2.8	26.6	2.9	26.4	3.0	26.3	3.0	26.2	3.0	26.0	3.1
	26	22	28.4	2.8	28.2	2.9	28.0	3.0	27.9	3.0	27.8	3.1	27.5	3.2
	30	26	30.1	2.8	29.8	2.9	29.6	3.0	29.5	3.1	29.3	3.1	29.1	3.2
	35	30	32.2	2.9	31.9	3.0	31.7	3.0	31.5	3.1	31.4	3.1	30.0	3.0
	39	34	33.9	2.9	33.6	3.0	33.4	3.1	33.8	3.2	32.3	3.0	30.0	2.8
	44	38	36.2	2.9	35.8	3.0	35.3	3.0	33.8	2.9	32.3	2.8	30.0	2.6
	47	43	38.5	2.9	37.6	2.9	35.3	2.8	33.8	2.7	32.3	2.6	30.0	2.4
	51	45	39.3	2.9	37.6	2.8	35.3	2.7	33.8	2.6	32.3	2.5	30.0	2.3
	54	47	40.6	2.9	37.6	2.7	35.3	2.5	33.8	2.4	32.3	2.3	30.0	2.2
	57	50	40.6	2.7	37.6	2.5	35.3	2.4	33.8	2.3	32.3	2.2	30.0	2.1
	60	53	40.6	2.6	37.6	2.4	35.3	2.2	33.8	2.2	32.3	2.1	30.0	1.9
63	55	40.6	2.4	37.6	2.2	35.3	2.1	33.8	2.0	32.3	1.9	30.0	1.8	
66	58	40.6	2.2	37.6	2.1	35.3	2.0	33.8	1.9	32.3	1.8	30.0	1.7	
69	61	40.6	2.1	37.6	1.9	35.3	1.8	33.8	1.8	32.3	1.7	30.0	1.6	
72	62	40.6	2.0	37.6	1.9	35.3	1.8	33.8	1.7	32.3	1.6	30.0	1.6	
75	64	40.6	1.9	37.6	1.8	35.3	1.7	33.8	1.6	32.3	1.6	30.0	1.5	
78	67	40.6	1.8	37.6	1.6	35.3	1.5	33.8	1.5	32.3	1.5	30.0	1.4	
80	69	40.6	1.6	37.6	1.5	35.3	1.4	33.8	1.4	32.3	1.4	30.0	1.3	
120%	-13	-14	13.9	2.7	13.9	2.7	13.9	2.8	13.8	2.8	13.8	2.9	13.8	2.9
	-4	-4	17.5	2.8	17.4	2.9	17.4	2.9	17.3	3.0	17.3	3.0	17.2	3.0
	-2	-2	18.2	2.8	18.1	2.9	18.0	2.9	18.0	3.0	17.9	3.0	17.8	3.1
	6	5	21.0	2.9	20.9	3.0	20.8	3.0	20.7	3.1	20.6	3.1	20.5	3.2
	10	8	22.4	2.9	22.2	3.0	22.1	3.0	22.0	3.1	21.9	3.1	21.8	3.2
	13	12	23.9	2.9	23.7	3.0	23.6	3.1	23.5	3.1	23.4	3.2	23.2	3.2
	15	14	24.7	2.9	24.5	3.0	24.4	3.1	24.3	3.1	24.2	3.2	24.0	3.3
	17	15	25.3	3.0	25.2	3.0	25.0	3.1	24.9	3.2	24.8	3.2	24.6	3.3
	19	18	26.4	3.0	26.2	3.1	26.1	3.1	25.9	3.2	25.8	3.2	25.6	3.3
	22	19	26.7	2.8	26.5	2.9	26.3	3.0	26.2	3.0	26.1	3.1	25.9	3.1
	26	22	28.4	2.8	28.1	2.9	27.9	3.0	27.8	3.1	27.7	3.1	27.7	3.2
	30	26	30.0	2.9	29.7	3.0	29.5	3.0	29.4	3.1	29.8	3.2	27.7	3.0
	35	30	32.1	2.9	31.8	3.0	31.6	3.1	31.2	3.1	29.8	3.0	27.7	2.8
	39	34	33.8	2.9	33.5	3.0	32.6	3.0	31.2	2.9	29.8	2.8	27.7	2.6
	44	38	36.0	2.9	34.7	2.9	32.6	2.7	31.2	2.6	29.8	2.5	27.7	2.4
	47	43	37.5	2.8	34.7	2.6	32.6	2.5	31.2	2.4	29.8	2.3	27.7	2.2
	51	45	37.5	2.7	34.7	2.5	32.6	2.4	31.2	2.3	29.8	2.2	27.7	2.1
	54	47	37.5	2.6	34.7	2.4	32.6	2.3	31.2	2.2	29.8	2.1	27.7	2.0
	57	50	37.5	2.4	34.7	2.3	32.6	2.1	31.2	2.1	29.8	2.0	27.7	1.9
	60	53	37.5	2.3	34.7	2.1	32.6	2.0	31.2	1.9	29.8	1.9	27.7	1.7
63	55	37.5	2.1	34.7	2.0	32.6	1.9	31.2	1.8	29.8	1.7	27.7	1.7	
66	58	37.5	2.0	34.7	1.9	32.6	1.8	31.2	1.7	29.8	1.6	27.7	1.6	
69	61	37.5	1.9	34.7	1.7	32.6	1.6	31.2	1.6	29.8	1.5	27.7	1.5	
72	62	37.5	1.8	34.7	1.7	32.6	1.6	31.2	1.5	29.8	1.5	27.7	1.4	
75	64	37.5	1.7	34.7	1.6	32.6	1.5	31.2	1.4	29.8	1.4	27.7	1.3	
78	67	37.5	1.5	34.7	1.5	32.6	1.4	31.2	1.4	29.8	1.3	27.7	1.3	
80	69	37.5	1.4	34.7	1.3	32.6	1.3	31.2	1.3	29.8	1.2	27.7	1.2	

NOTE - All Total Capacity and Power Input Data at 2°F Dry Bulb / 1°F Wet Bulb Outdoor Temperature is simulated at these operating conditions.

Recommended minimum heating operating temperature is -4°F.

Power Input = Compressor + Outdoor Fan Motor.

MBH = 1000 BTUs per hour.

HEATING CAPACITY

VPC024H4M-3P

Combination (%)	Outdoor Temperature (°F)		Indoor Temperature - °F Dry Bulb											
			61		65		68		70		72		75	
			Total Cap.	Power Input	Total Cap.	Power Input	Total Cap.	Power Input	Total Cap.	Power Input	Total Cap.	Power Input	Total Cap.	Power Input
	Dry Bulb	Wet Bulb	MBH	kW	MBH	kW	MBH	kW	MBH	kW	MBH	kW	MBH	kW
110%	-13	-14	13.8	2.7	13.8	2.8	13.8	2.8	13.8	2.8	13.8	2.9	13.7	2.9
	-4	-4	17.5	2.8	17.4	2.9	17.3	2.9	17.3	3.0	17.2	3.0	17.1	3.1
	-2	-2	18.1	2.8	18.1	2.9	18.0	3.0	17.9	3.0	17.9	3.0	17.8	3.1
	6	5	21.0	2.9	20.8	3.0	20.7	3.0	20.6	3.1	20.6	3.1	20.4	3.2
	10	8	22.3	2.9	22.2	3.0	22.1	3.1	22.0	3.1	21.9	3.2	21.7	3.2
	13	12	23.8	3.0	23.7	3.0	23.5	3.1	23.4	3.2	23.3	3.2	23.1	3.3
	15	14	24.7	3.0	24.5	3.1	24.3	3.1	24.2	3.2	24.1	3.2	23.9	3.3
	17	15	25.3	3.0	25.1	3.1	24.9	3.2	24.8	3.2	24.7	3.2	24.5	3.3
	19	18	26.4	3.0	26.2	3.1	26.0	3.2	25.9	3.2	25.7	3.3	25.4	3.3
	22	19	26.7	2.9	26.5	2.9	26.3	3.0	26.2	3.1	26.0	3.1	25.4	3.1
	26	22	28.3	2.9	28.1	3.0	27.9	3.1	27.7	3.1	27.3	3.1	25.4	2.9
	30	26	29.9	2.9	29.7	3.0	29.9	3.1	28.6	3.0	27.3	2.9	25.4	2.7
	35	30	32.0	2.9	31.8	3.0	29.9	2.9	28.6	2.8	27.3	2.7	25.4	2.5
	39	34	34.3	3.0	31.8	2.8	29.9	2.7	28.6	2.6	27.3	2.5	25.4	2.3
	44	38	34.3	2.8	31.8	2.6	29.9	2.4	28.6	2.4	27.3	2.3	25.4	2.1
	47	43	34.3	2.5	31.8	2.3	29.9	2.2	28.6	2.1	27.3	2.1	25.4	1.9
	51	45	34.3	2.4	31.8	2.3	29.9	2.1	28.6	2.1	27.3	2.0	25.4	1.9
	54	47	34.3	2.3	31.8	2.1	29.9	2.0	28.6	2.0	27.3	1.9	25.4	1.8
	57	50	34.3	2.1	31.8	2.0	29.9	1.9	28.6	1.8	27.3	1.8	25.4	1.7
	60	53	34.3	2.0	31.8	1.9	29.9	1.8	28.6	1.7	27.3	1.7	25.4	1.6
63	55	34.3	1.9	31.8	1.8	29.9	1.7	28.6	1.6	27.3	1.6	25.4	1.5	
66	58	34.3	1.8	31.8	1.6	29.9	1.6	28.6	1.5	27.3	1.5	25.4	1.4	
69	61	34.3	1.6	31.8	1.5	29.9	1.5	28.6	1.4	27.3	1.4	25.4	1.3	
72	62	34.3	1.6	31.8	1.5	29.9	1.4	28.6	1.4	27.3	1.3	25.4	1.3	
75	64	34.3	1.5	31.8	1.4	29.9	1.3	28.6	1.3	27.3	1.3	25.4	1.2	
78	67	34.3	1.4	31.8	1.3	29.9	1.2	28.6	1.2	27.3	1.2	25.4	1.1	
80	69	34.3	1.3	31.8	1.2	29.9	1.2	28.6	1.1	27.3	1.1	25.4	1.0	
100%	-13	-14	13.8	2.7	13.8	2.8	13.8	2.8	13.8	2.9	13.7	2.9	13.7	2.9
	-4	-4	17.4	2.8	17.3	2.9	17.3	3.0	17.2	3.0	17.2	3.0	17.1	3.1
	-2	-2	18.1	2.8	18.0	2.9	17.9	3.0	17.9	3.0	17.8	3.1	17.7	3.1
	6	5	20.9	2.9	20.8	3.0	20.7	3.1	20.6	3.1	20.5	3.2	20.4	3.2
	10	8	22.3	3.0	22.2	3.0	22.0	3.1	21.9	3.2	21.8	3.2	21.7	3.3
	13	12	23.8	3.0	23.6	3.1	23.5	3.2	23.4	3.2	23.2	3.2	23.1	3.3
	15	14	24.6	3.0	24.4	3.1	24.3	3.2	24.2	3.2	24.0	3.3	23.1	3.2
	17	15	25.2	3.0	25.0	3.1	24.9	3.2	24.8	3.2	24.9	3.3	23.1	3.1
	19	18	26.3	3.1	26.1	3.1	25.9	3.2	26.0	3.3	24.9	3.2	23.1	3.0
	22	19	26.6	2.9	26.4	3.0	26.2	3.1	26.0	3.1	24.9	3.0	23.1	2.8
	26	22	28.3	2.9	28.0	3.0	27.1	3.0	26.0	2.9	24.9	2.8	23.1	2.6
	30	26	29.8	3.0	28.9	2.9	27.1	2.8	26.0	2.7	24.9	2.6	23.1	2.4
	35	30	31.2	2.9	28.9	2.7	27.1	2.6	26.0	2.5	24.9	2.4	23.1	2.2
	39	34	31.2	2.7	28.9	2.5	27.1	2.4	26.0	2.3	24.9	2.2	23.1	2.1
	44	38	31.2	2.5	28.9	2.3	27.1	2.2	26.0	2.1	24.9	2.0	23.1	1.9
	47	43	31.2	2.2	28.9	2.1	27.1	2.0	26.0	1.9	24.9	1.8	23.1	1.7
	51	45	31.2	2.1	28.9	2.0	27.1	1.9	26.0	1.8	24.9	1.8	23.1	1.7
	54	47	31.2	2.0	28.9	1.9	27.1	1.8	26.0	1.7	24.9	1.7	23.1	1.6
	57	50	31.2	1.9	28.9	1.8	27.1	1.7	26.0	1.6	24.9	1.6	23.1	1.5
	60	53	31.2	1.8	28.9	1.7	27.1	1.6	26.0	1.5	24.9	1.5	23.1	1.4
63	55	31.2	1.6	28.9	1.5	27.1	1.5	26.0	1.4	24.9	1.4	23.1	1.3	
66	58	31.2	1.5	28.9	1.5	27.1	1.4	26.0	1.4	24.9	1.3	23.1	1.3	
69	61	31.2	1.4	28.9	1.4	27.1	1.3	26.0	1.3	24.9	1.2	23.1	1.2	
72	62	31.2	1.4	28.9	1.3	27.1	1.3	26.0	1.2	24.9	1.2	23.1	1.1	
75	64	31.2	1.3	28.9	1.2	27.1	1.2	26.0	1.2	24.9	1.1	23.1	1.1	
78	67	31.2	1.2	28.9	1.1	27.1	1.1	26.0	1.1	24.9	1.1	23.1	1.0	
80	69	31.2	1.1	28.9	1.1	27.1	1.0	26.0	1.0	24.9	1.0	23.1	0.9	

NOTE - All Total Capacity and Power Input Data at 2°F Dry Bulb / 1°F Wet Bulb Outdoor Temperature is simulated at these operating conditions.

Recommended minimum heating operating temperature is -4°F.

Power Input = Compressor + Outdoor Fan Motor.

MBH = 1000 BTUs per hour.

HEATING CAPACITY

VPC024H4M-3P

Combination (%)	Outdoor Temperature (°F)		Indoor Temperature - °F Dry Bulb											
			61		65		68		70		72		75	
	Dry Bulb	Wet Bulb	Total Cap.	Power Input	Total Cap.	Power Input	Total Cap.	Power Input	Total Cap.	Power Input	Total Cap.	Power Input	Total Cap.	Power Input
			MBH	kW	MBH	kW	MBH	kW	MBH	kW	MBH	kW	MBH	kW
90%	-13	-14	13.8	2.7	13.8	2.8	13.7	2.8	13.7	2.9	13.7	2.9	13.6	3.0
	-4	-4	17.4	2.9	17.3	2.9	17.2	3.0	17.2	3.0	17.1	3.1	17.0	3.1
	-2	-2	18.1	2.9	18.0	3.0	17.9	3.0	17.8	3.0	17.8	3.1	17.7	3.1
	6	5	20.9	3.0	20.8	3.0	20.6	3.1	20.5	3.1	20.5	3.2	20.3	3.3
	10	8	22.3	3.0	22.1	3.1	22.0	3.2	21.9	3.2	21.8	3.2	20.8	3.1
	13	12	23.8	3.0	23.6	3.1	23.4	3.2	23.4	3.2	22.4	3.1	20.8	2.9
	15	14	24.6	3.1	24.4	3.2	24.4	3.2	23.4	3.1	22.4	3.0	20.8	2.8
	17	15	25.2	3.1	25.0	3.2	24.4	3.2	23.4	3.0	22.4	2.9	20.8	2.8
	19	18	26.2	3.1	26.0	3.2	24.4	3.0	23.4	2.9	22.4	2.8	20.8	2.6
	22	19	26.5	3.0	26.0	3.0	24.4	2.8	23.4	2.7	22.4	2.6	20.8	2.5
	26	22	28.1	3.0	26.0	2.8	24.4	2.6	23.4	2.5	22.4	2.5	20.8	2.3
	30	26	28.1	2.8	26.0	2.6	24.4	2.5	23.4	2.4	22.4	2.3	20.8	2.2
	35	30	28.1	2.5	26.0	2.4	24.4	2.3	23.4	2.2	22.4	2.1	20.8	2.0
	39	34	28.1	2.4	26.0	2.2	24.4	2.1	23.4	2.0	22.4	2.0	20.8	1.9
	44	38	28.1	2.1	26.0	2.0	24.4	1.9	23.4	1.9	22.4	1.8	20.8	1.7
	47	43	28.1	1.9	26.0	1.8	24.4	1.7	23.4	1.7	22.4	1.6	20.8	1.6
	51	45	28.1	1.9	26.0	1.8	24.4	1.7	23.4	1.6	22.4	1.6	20.8	1.5
	54	47	28.1	1.8	26.0	1.7	24.4	1.6	23.4	1.5	22.4	1.5	20.8	1.4
	57	50	28.1	1.6	26.0	1.6	24.4	1.5	23.4	1.5	22.4	1.4	20.8	1.4
	60	53	28.1	1.5	26.0	1.5	24.4	1.4	23.4	1.4	22.4	1.3	20.8	1.3
63	55	28.1	1.4	26.0	1.4	24.4	1.3	23.4	1.3	22.4	1.3	20.8	1.2	
66	58	28.1	1.3	26.0	1.3	24.4	1.2	23.4	1.2	22.4	1.2	20.8	1.1	
69	61	28.1	1.2	26.0	1.2	24.4	1.2	23.4	1.1	22.4	1.1	20.8	1.1	
72	62	28.1	1.2	26.0	1.1	24.4	1.1	23.4	1.1	22.4	1.1	20.8	1.0	
75	64	28.1	1.1	26.0	1.1	24.4	1.1	23.4	1.0	22.4	1.0	20.8	1.0	
78	67	28.1	1.0	26.0	1.0	24.4	1.0	23.4	1.0	22.4	0.9	20.8	0.9	
80	69	28.1	1.0	26.0	0.9	24.4	0.9	23.4	0.9	22.4	0.9	20.8	0.8	
80%	-13	-14	13.8	2.7	13.8	2.8	13.7	2.9	13.7	2.9	13.7	2.9	13.6	3.0
	-4	-4	17.4	2.9	17.3	3.0	17.2	3.0	17.1	3.1	17.1	3.1	17.0	3.1
	-2	-2	18.1	2.9	18.0	3.0	17.9	3.0	17.8	3.1	17.7	3.1	17.6	3.2
	6	5	20.9	3.0	20.7	3.1	20.6	3.2	20.8	3.2	19.9	3.1	18.5	2.9
	10	8	22.2	3.1	22.1	3.1	21.7	3.1	20.8	3.0	19.9	2.9	18.5	2.7
	13	12	23.7	3.1	23.1	3.1	21.7	2.9	20.8	2.8	19.9	2.7	18.5	2.6
	15	14	24.4	3.1	23.1	3.0	21.7	2.8	20.8	2.7	19.9	2.6	18.5	2.5
	17	15	25.0	3.1	23.1	2.9	21.7	2.8	20.8	2.7	19.9	2.6	18.5	2.4
	19	18	25.0	3.0	23.1	2.8	21.7	2.6	20.8	2.5	19.9	2.5	18.5	2.3
	22	19	25.0	2.8	23.1	2.6	21.7	2.5	20.8	2.4	19.9	2.3	18.5	2.2
	26	22	25.0	2.6	23.1	2.4	21.7	2.3	20.8	2.2	19.9	2.2	18.5	2.0
	30	26	25.0	2.4	23.1	2.3	21.7	2.2	20.8	2.1	19.9	2.0	18.5	1.9
	35	30	25.0	2.2	23.1	2.1	21.7	2.0	20.8	1.9	19.9	1.8	18.5	1.8
	39	34	25.0	2.0	23.1	1.9	21.7	1.8	20.8	1.8	19.9	1.7	18.5	1.6
	44	38	25.0	1.9	23.1	1.7	21.7	1.7	20.8	1.6	19.9	1.6	18.5	1.5
	47	43	25.0	1.7	23.1	1.6	21.7	1.5	20.8	1.5	19.9	1.4	18.5	1.4
	51	45	25.0	1.6	23.1	1.5	21.7	1.5	20.8	1.4	19.9	1.4	18.5	1.3
	54	47	25.0	1.5	23.1	1.4	21.7	1.4	20.8	1.4	19.9	1.3	18.5	1.3
	57	50	25.0	1.4	23.1	1.4	21.7	1.3	20.8	1.3	19.9	1.3	18.5	1.2
	60	53	25.0	1.3	23.1	1.3	21.7	1.2	20.8	1.2	19.9	1.2	18.5	1.1
63	55	25.0	1.2	23.1	1.2	21.7	1.2	20.8	1.1	19.9	1.1	18.5	1.1	
66	58	25.0	1.2	23.1	1.1	21.7	1.1	20.8	1.1	19.9	1.0	18.5	1.0	
69	61	25.0	1.1	23.1	1.0	21.7	1.0	20.8	1.0	19.9	1.0	18.5	0.9	
72	62	25.0	1.0	23.1	1.0	21.7	1.0	20.8	1.0	19.9	0.9	18.5	0.9	
75	64	25.0	1.0	23.1	0.9	21.7	0.9	20.8	0.9	19.9	0.9	18.5	0.9	
78	67	25.0	0.9	23.1	0.9	21.7	0.9	20.8	0.8	19.9	0.8	18.5	0.8	
80	69	25.0	0.8	23.1	0.8	21.7	0.8	20.8	0.8	19.9	0.8	18.5	0.7	

NOTE - All Total Capacity and Power Input Data at 2°F Dry Bulb / 1°F Wet Bulb Outdoor Temperature is simulated at these operating conditions.

Recommended minimum heating operating temperature is -4°F.

Power Input = Compressor + Outdoor Fan Motor.

MBH = 1000 BTUs per hour.

HEATING CAPACITY

VPC024H4M-3P

Combination (%)	Outdoor Temperature (°F)		Indoor Temperature - °F Dry Bulb											
			61		65		68		70		72		75	
			Total Cap.	Power Input	Total Cap.	Power Input	Total Cap.	Power Input	Total Cap.	Power Input	Total Cap.	Power Input	Total Cap.	Power Input
	Dry Bulb	Wet Bulb	MBH	kW	MBH	kW	MBH	kW	MBH	kW	MBH	kW	MBH	kW
70%	-13	-14	13.8	2.8	13.8	2.8	13.7	2.9	13.7	2.9	13.6	3.0	13.6	3.0
	-4	-4	17.4	2.9	17.3	3.0	17.2	3.1	17.1	3.1	17.4	3.2	16.2	3.0
	-2	-2	18.1	3.0	17.9	3.0	17.8	3.1	17.8	3.1	17.4	3.1	16.2	2.9
	6	5	20.8	3.1	20.2	3.1	19.0	2.9	18.2	2.8	17.4	2.7	16.2	2.5
	10	8	21.9	3.1	20.2	2.9	19.0	2.7	18.2	2.6	17.4	2.5	16.2	2.4
	13	12	21.9	2.8	20.2	2.7	19.0	2.5	18.2	2.5	17.4	2.4	16.2	2.2
	15	14	21.9	2.7	20.2	2.6	19.0	2.4	18.2	2.4	17.4	2.3	16.2	2.2
	17	15	21.9	2.7	20.2	2.5	19.0	2.4	18.2	2.3	17.4	2.2	16.2	2.1
	19	18	21.9	2.5	20.2	2.4	19.0	2.3	18.2	2.2	17.4	2.1	16.2	2.0
	22	19	21.9	2.4	20.2	2.2	19.0	2.1	18.2	2.1	17.4	2.0	16.2	1.9
	26	22	21.9	2.2	20.2	2.1	19.0	2.0	18.2	1.9	17.4	1.9	16.2	1.8
	30	26	21.9	2.1	20.2	1.9	19.0	1.9	18.2	1.8	17.4	1.8	16.2	1.7
	35	30	21.9	1.9	20.2	1.8	19.0	1.7	18.2	1.7	17.4	1.6	16.2	1.5
	39	34	21.9	1.7	20.2	1.7	19.0	1.6	18.2	1.6	17.4	1.5	16.2	1.4
	44	38	21.9	1.6	20.2	1.5	19.0	1.5	18.2	1.4	17.4	1.4	16.2	1.3
	47	43	21.9	1.4	20.2	1.4	19.0	1.3	18.2	1.3	17.4	1.3	16.2	1.2
	51	45	21.9	1.4	20.2	1.3	19.0	1.3	18.2	1.3	17.4	1.2	16.2	1.2
	54	47	21.9	1.3	20.2	1.3	19.0	1.2	18.2	1.2	17.4	1.2	16.2	1.1
	57	50	21.9	1.2	20.2	1.2	19.0	1.1	18.2	1.1	17.4	1.1	16.2	1.1
	60	53	21.9	1.1	20.2	1.1	19.0	1.1	18.2	1.0	17.4	1.0	16.2	0.9
63	55	21.9	1.1	20.2	1.0	19.0	1.0	18.2	1.0	17.4	0.9	16.2	0.9	
66	58	21.9	1.0	20.2	1.0	19.0	0.9	18.2	0.9	17.4	0.9	16.2	0.8	
69	61	21.9	0.9	20.2	0.9	19.0	0.9	18.2	0.9	17.4	0.8	16.2	0.8	
72	62	21.9	0.9	20.2	0.9	19.0	0.8	18.2	0.8	17.4	0.8	16.2	0.8	
75	64	21.9	0.8	20.2	0.8	19.0	0.8	18.2	0.8	17.4	0.8	16.2	0.8	
78	67	21.9	0.8	20.2	0.8	19.0	0.7	18.2	0.7	17.4	0.7	16.2	0.7	
80	69	21.9	0.8	20.2	0.7	19.0	0.7	18.2	0.7	17.4	0.7	16.2	0.6	
60%	-13	-14	13.8	2.8	13.8	2.9	13.7	2.9	13.7	3.0	13.6	3.0	13.8	3.1
	-4	-4	17.3	3.0	17.4	3.1	16.3	2.9	15.6	2.8	14.9	2.7	13.8	2.5
	-2	-2	18.0	3.0	17.4	3.0	16.3	2.8	15.6	2.7	14.9	2.6	13.8	2.5
	6	5	18.7	2.7	17.4	2.6	16.3	2.4	15.6	2.4	14.9	2.3	13.8	2.2
	10	8	18.7	2.6	17.4	2.4	16.3	2.3	15.6	2.2	14.9	2.1	13.8	2.0
	13	12	18.7	2.4	17.4	2.3	16.3	2.2	15.6	2.1	14.9	2.0	13.8	1.9
	15	14	18.7	2.3	17.4	2.2	16.3	2.1	15.6	2.0	14.9	1.9	13.8	1.8
	17	15	18.7	2.2	17.4	2.1	16.3	2.0	15.6	2.0	14.9	1.9	13.8	1.8
	19	18	18.7	2.1	17.4	2.0	16.3	1.9	15.6	1.9	14.9	1.8	13.8	1.7
	22	19	18.7	2.0	17.4	1.9	16.3	1.8	15.6	1.8	14.9	1.7	13.8	1.6
	26	22	18.7	1.9	17.4	1.8	16.3	1.7	15.6	1.6	14.9	1.6	13.8	1.5
	30	26	18.7	1.7	17.4	1.7	16.3	1.6	15.6	1.5	14.9	1.5	13.8	1.4
	35	30	18.7	1.6	17.4	1.5	16.3	1.5	15.6	1.4	14.9	1.4	13.8	1.3
	39	34	18.7	1.5	17.4	1.4	16.3	1.4	15.6	1.3	14.9	1.3	13.8	1.3
	44	38	18.7	1.4	17.4	1.3	16.3	1.3	15.6	1.2	14.9	1.2	13.8	1.2
	47	43	18.7	1.2	17.4	1.2	16.3	1.1	15.6	1.1	14.9	1.1	13.8	1.0
	51	45	18.7	1.2	17.4	1.1	16.3	1.1	15.6	1.1	14.9	1.1	13.8	1.0
	54	47	18.7	1.1	17.4	1.1	16.3	1.0	15.6	1.0	14.9	1.0	13.8	1.0
	57	50	18.7	1.0	17.4	1.0	16.3	1.0	15.6	1.0	14.9	0.9	13.8	0.9
	60	53	18.7	1.0	17.4	0.9	16.3	0.9	15.6	0.9	14.9	0.8	13.8	0.8
63	55	18.7	0.9	17.4	0.9	16.3	0.8	15.6	0.8	14.9	0.8	13.8	0.8	
66	58	18.7	0.9	17.4	0.8	16.3	0.8	15.6	0.8	14.9	0.7	13.8	0.7	
69	61	18.7	0.8	17.4	0.8	16.3	0.7	15.6	0.7	14.9	0.7	13.8	0.7	
72	62	18.7	0.8	17.4	0.7	16.3	0.7	15.6	0.7	14.9	0.7	13.8	0.7	
75	64	18.7	0.7	17.4	0.7	16.3	0.7	15.6	0.7	14.9	0.7	13.8	0.7	
78	67	18.7	0.7	17.4	0.6	16.3	0.6	15.6	0.6	14.9	0.6	13.8	0.6	
80	69	18.7	0.7	17.4	0.6	16.3	0.6	15.6	0.6	14.9	0.6	13.8	0.6	

NOTE - All Total Capacity and Power Input Data at 2°F Dry Bulb / 1°F Wet Bulb Outdoor Temperature is simulated at these operating conditions.

Recommended minimum heating operating temperature is -4°F.

Power Input = Compressor + Outdoor Fan Motor.

MBH = 1000 BTUs per hour.

HEATING CAPACITY

VPC024H4M-3P

Combination (%)	Outdoor Temperature (°F)		Indoor Temperature - °F Dry Bulb											
			61		65		68		70		72		75	
	Dry Bulb	Wet Bulb	Total Cap.	Power Input	Total Cap.	Power Input	Total Cap.	Power Input	Total Cap.	Power Input	Total Cap.	Power Input	Total Cap.	Power Input
			MBH	kW	MBH	kW	MBH	kW	MBH	kW	MBH	kW	MBH	kW
50%	-13	-14	13.8	2.9	13.8	3.0	13.6	3.0	13.0	2.9	12.4	2.7	11.5	2.6
	-4	-4	15.6	2.7	14.5	2.5	13.6	2.4	13.0	2.3	12.4	2.2	11.5	2.1
	-2	-2	15.6	2.6	14.5	2.4	13.6	2.3	13.0	2.2	12.4	2.2	11.5	2.0
	6	5	15.6	2.3	14.5	2.1	13.6	2.0	13.0	2.0	12.4	1.9	11.5	1.8
	10	8	15.6	2.1	14.5	2.0	13.6	1.9	13.0	1.8	12.4	1.8	11.5	1.7
	13	12	15.6	2.0	14.5	1.9	13.6	1.8	13.0	1.7	12.4	1.7	11.5	1.6
	15	14	15.6	1.9	14.5	1.8	13.6	1.7	13.0	1.7	12.4	1.6	11.5	1.6
	17	15	15.6	1.8	14.5	1.8	13.6	1.7	13.0	1.6	12.4	1.6	11.5	1.5
	19	18	15.6	1.8	14.5	1.7	13.6	1.6	13.0	1.6	12.4	1.5	11.5	1.5
	22	19	15.6	1.7	14.5	1.6	13.6	1.5	13.0	1.5	12.4	1.4	11.5	1.4
	26	22	15.6	1.5	14.5	1.5	13.6	1.4	13.0	1.4	12.4	1.4	11.5	1.3
	30	26	15.6	1.4	14.5	1.4	13.6	1.3	13.0	1.3	12.4	1.3	11.5	1.2
	35	30	15.6	1.3	14.5	1.3	13.6	1.2	13.0	1.2	12.4	1.2	11.5	1.1
	39	34	15.6	1.2	14.5	1.2	13.6	1.2	13.0	1.1	12.4	1.1	11.5	1.1
	44	38	15.6	1.1	14.5	1.1	13.6	1.1	13.0	1.0	12.4	1.0	11.5	1.0
	47	43	15.6	1.0	14.5	1.0	13.6	1.0	13.0	0.9	12.4	0.9	11.5	0.9
	51	45	15.6	1.0	14.5	1.0	13.6	0.9	13.0	0.9	12.4	0.9	11.5	0.9
	54	47	15.6	0.9	14.5	0.9	13.6	0.9	13.0	0.9	12.4	0.9	11.5	0.8
	57	50	15.6	0.9	14.5	0.8	13.6	0.8	13.0	0.8	12.4	0.8	11.5	0.8
	60	53	15.6	0.8	14.5	0.7	13.6	0.7	13.0	0.7	12.4	0.7	11.5	0.7
63	55	15.6	0.7	14.5	0.7	13.6	0.7	13.0	0.7	12.4	0.7	11.5	0.6	
66	58	15.6	0.7	14.5	0.6	13.6	0.6	13.0	0.6	12.4	0.6	11.5	0.6	
69	61	15.6	0.6	14.5	0.6	13.6	0.6	13.0	0.6	12.4	0.6	11.5	0.5	
72	62	15.6	0.6	14.5	0.6	13.6	0.6	13.0	0.6	12.4	0.6	11.5	0.6	
75	64	15.6	0.6	14.5	0.6	13.6	0.6	13.0	0.6	12.4	0.6	11.5	0.6	
78	67	15.6	0.6	14.5	0.6	13.6	0.5	13.0	0.5	12.4	0.5	11.5	0.5	
80	69	15.6	0.6	14.5	0.5	13.6	0.5	13.0	0.5	12.4	0.5	11.5	0.5	

NOTE - All Total Capacity and Power Input Data at 2°F Dry Bulb / 1°F Wet Bulb Outdoor Temperature is simulated at these operating conditions.

Recommended minimum heating operating temperature is -4°F.

Power Input = Compressor + Outdoor Fan Motor.

MBH = 1000 BTUs per hour.

COOLING CAPACITY

VPC036H4M-3PS

Combination (%)	Outdoor Temperature °F (Dry Bulb)	Indoor Temperature - °F (Dry Bulb / Wet Bulb)											
		67 / 57		71 / 60		75 / 63		80 / 67		85 / 71		90 / 75	
		Total Cap. MBH	Power Input kW	Total Cap. MBH	Power Input kW	Total Cap. MBH	Power Input kW	Total Cap. MBH	Power Input kW	Total Cap. MBH	Power Input kW	Total Cap. MBH	Power Input kW
130%	5	27.6	0.7	33.5	0.9	39.1	1.0	46.8	1.4	54.8	1.9	62.5	2.2
	10	27.6	0.7	33.5	0.9	39.1	1.0	46.8	1.5	54.8	1.9	62.5	2.2
	14	27.6	0.7	33.5	0.9	39.1	1.0	46.8	1.5	54.8	1.9	62.5	2.2
	18	27.6	0.7	33.5	0.9	39.1	1.2	46.8	1.6	54.8	2.0	62.5	2.3
	23	27.6	0.8	33.5	0.9	39.1	1.2	46.8	1.6	54.8	2.0	62.5	2.3
	28	27.6	0.8	33.5	1.0	39.1	1.2	46.8	1.6	54.8	2.0	62.5	2.4
	32	27.6	0.8	33.5	1.1	39.1	1.2	46.8	1.6	54.8	2.0	62.5	2.4
	36	27.6	0.8	33.5	1.1	39.1	1.2	46.8	1.6	54.8	2.0	62.5	2.4
	39	27.6	0.9	33.5	1.1	39.1	1.2	46.8	1.6	54.8	2.1	62.5	2.6
	43	27.6	0.9	33.5	1.1	39.1	1.3	46.8	1.7	54.8	2.1	62.5	2.6
	46	27.6	0.9	33.5	1.1	39.1	1.3	46.8	1.7	54.8	2.2	62.5	2.8
	50	27.6	0.9	33.5	1.1	39.1	1.4	46.8	1.8	54.8	2.3	62.5	3.1
	54	27.6	1.0	33.5	1.1	39.1	1.4	46.8	1.8	54.8	2.6	60.6	3.2
	57	27.6	1.0	33.5	1.2	39.1	1.5	46.8	2.0	54.8	2.8	60.0	3.3
	61	27.6	1.0	33.5	1.3	39.1	1.6	46.8	2.2	54.8	3.1	59.3	3.5
	64	27.6	1.1	33.5	1.4	39.1	1.8	46.8	2.4	54.8	3.3	58.6	3.7
	68	27.6	1.2	33.5	1.5	39.1	1.9	46.8	2.7	54.8	3.6	57.8	3.9
	70	27.6	1.3	33.5	1.6	39.1	2.0	46.8	2.8	54.8	3.8	57.4	4.0
	73	27.6	1.4	33.5	1.8	39.1	2.2	46.8	3.0	54.8	4.1	56.6	4.2
	77	27.6	1.5	33.5	1.9	39.1	2.4	46.8	3.3	53.1	4.2	55.7	4.3
	81	27.6	1.6	33.5	2.1	39.1	2.6	46.8	3.6	52.4	4.4	54.9	4.5
84	27.6	1.8	33.5	2.3	39.1	2.9	46.8	3.9	51.6	4.6	53.8	4.7	
88	27.6	1.9	33.5	2.5	39.1	3.1	46.8	4.2	50.2	4.7	52.2	4.7	
91	27.6	2.1	33.5	2.7	39.1	3.4	46.8	4.6	48.5	4.7	50.5	4.7	
95	27.6	2.2	33.5	2.9	39.1	3.7	45.0	4.7	47.0	4.7	49.0	4.7	
99	27.6	2.4	33.5	3.2	39.1	4.0	43.5	4.7	45.4	4.7	47.2	4.7	
102	27.6	2.6	33.5	3.4	39.1	4.4	41.9	4.7	43.8	4.7	45.5	4.7	
106	27.6	2.9	33.5	3.7	39.1	4.7	40.3	4.7	42.0	4.7	44.0	4.7	
109	27.6	3.1	33.5	4.1	36.9	4.7	38.6	4.7	40.3	4.7	42.1	4.7	
113	27.6	3.4	33.5	4.4	35.4	4.7	37.1	4.7	38.9	4.7	39.6	4.5	
118	27.6	3.8	31.0	4.4	31.5	4.2	31.9	4.0	32.6	3.8	33.2	3.5	
122	26.5	3.9	26.8	3.7	27.2	3.6	28.1	3.4	27.8	3.1	28.6	3.0	
120%	5	25.5	0.7	30.9	0.8	36.1	0.9	43.2	1.1	50.6	1.6	57.7	1.8
	10	25.5	0.7	30.9	0.8	36.1	0.9	43.2	1.3	50.6	1.6	57.7	1.9
	14	25.5	0.7	30.9	0.8	36.1	0.9	43.2	1.3	50.6	1.7	57.7	1.9
	18	25.5	0.7	30.9	0.8	36.1	1.0	43.2	1.4	50.6	1.7	57.7	2.0
	23	25.5	0.7	30.9	0.9	36.1	1.1	43.2	1.4	50.6	1.7	57.7	2.0
	28	25.5	0.7	30.9	0.9	36.1	1.1	43.2	1.4	50.6	1.8	57.7	2.1
	32	25.5	0.7	30.9	1.0	36.1	1.1	43.2	1.4	50.6	1.8	57.7	2.1
	36	25.5	0.7	30.9	1.0	36.1	1.1	43.2	1.4	50.6	1.8	57.7	2.1
	39	25.5	0.8	30.9	1.0	36.1	1.1	43.2	1.4	50.6	1.8	57.7	2.1
	43	25.5	0.8	30.9	1.0	36.1	1.1	43.2	1.4	50.6	1.8	57.7	2.3
	46	25.5	0.8	30.9	1.0	36.1	1.2	43.2	1.5	50.6	1.9	57.7	2.3
	50	25.5	0.8	30.9	1.0	36.1	1.2	43.2	1.6	50.6	2.0	57.7	2.5
	54	25.5	0.9	30.9	1.0	36.1	1.2	43.2	1.6	50.6	2.1	57.7	2.8
	57	25.5	0.9	30.9	1.1	36.1	1.3	43.2	1.7	50.6	2.3	57.7	3.0
	61	25.5	0.9	30.9	1.1	36.1	1.4	43.2	1.9	50.6	2.6	57.7	3.3
	64	25.5	1.0	30.9	1.2	36.1	1.5	43.2	2.1	50.6	2.8	57.7	3.6
	68	25.5	1.1	30.9	1.4	36.1	1.7	43.2	2.3	50.6	3.0	56.5	3.8
	70	25.5	1.1	30.9	1.4	36.1	1.8	43.2	2.4	50.6	3.2	56.1	3.9
	73	25.5	1.2	30.9	1.6	36.1	1.9	43.2	2.6	50.6	3.5	55.4	4.1
	77	25.5	1.3	30.9	1.7	36.1	2.1	43.2	2.8	50.6	3.8	54.6	4.3
	81	25.5	1.5	30.9	1.8	36.1	2.3	43.2	3.1	50.6	4.1	53.8	4.5
84	25.5	1.6	30.9	2.0	36.1	2.5	43.2	3.3	50.6	4.4	52.9	4.7	
88	25.5	1.7	30.9	2.2	36.1	2.7	43.2	3.6	49.3	4.7	51.3	4.7	
91	25.5	1.9	30.9	2.4	36.1	3.0	43.2	3.9	47.7	4.7	49.7	4.7	
95	25.5	2.0	30.9	2.6	36.1	3.2	43.2	4.3	46.1	4.7	48.1	4.7	
99	25.5	2.2	30.9	2.8	36.1	3.5	43.2	4.7	44.5	4.7	46.5	4.7	
102	25.5	2.4	30.9	3.0	36.1	3.8	41.2	4.7	42.9	4.7	45.0	4.7	
106	25.5	2.6	30.9	3.3	36.1	4.1	39.7	4.7	41.3	4.7	43.3	4.7	
109	25.5	2.8	30.9	3.6	36.1	4.5	38.2	4.7	39.8	4.7	41.5	4.7	
113	25.5	3.0	30.9	3.9	34.9	4.7	36.6	4.7	38.2	4.7	39.5	4.6	
118	25.5	3.4	30.9	4.4	31.4	4.3	32.0	4.1	32.4	3.8	32.7	3.5	
122	25.5	3.7	26.9	3.8	27.1	3.6	27.7	3.4	28.1	3.3	28.2	3.0	

NOTE - Power Input = Compressor + Outdoor Fan Motor.
 MBH = 1000 BTUs per hour.

COOLING CAPACITY

VPC036H4M-3PS

Combination (%)	Outdoor Temperature °F (Dry Bulb)	Indoor Temperature - °F (Dry Bulb / Wet Bulb)											
		67 / 57		71 / 60		75 / 63		80 / 67		85 / 71		90 / 75	
		Total Cap. MBH	Power Input kW	Total Cap. MBH	Power Input kW	Total Cap. MBH	Power Input kW	Total Cap. MBH	Power Input kW	Total Cap. MBH	Power Input kW	Total Cap. MBH	Power Input kW
110%	5	23.3	0.6	28.4	0.7	33.1	0.9	39.6	1.0	46.4	1.4	52.9	1.6
	10	23.3	0.6	28.4	0.7	33.1	0.9	39.6	1.0	46.4	1.4	52.9	1.6
	14	23.3	0.6	28.4	0.8	33.1	0.9	39.6	1.1	46.4	1.4	52.9	1.7
	18	23.3	0.6	28.4	0.8	33.1	0.9	39.6	1.2	46.4	1.5	52.9	1.7
	23	23.3	0.6	28.4	0.8	33.1	0.9	39.6	1.2	46.4	1.5	52.9	1.7
	28	23.3	0.6	28.4	0.8	33.1	1.0	39.6	1.2	46.4	1.5	52.9	1.7
	32	23.3	0.6	28.4	0.8	33.1	1.0	39.6	1.2	46.4	1.5	52.9	1.7
	36	23.3	0.6	28.4	0.9	33.1	1.0	39.6	1.2	46.4	1.5	52.9	1.8
	39	23.3	0.7	28.4	0.9	33.1	1.0	39.6	1.2	46.4	1.5	52.9	1.8
	43	23.3	0.7	28.4	0.9	33.1	1.0	39.6	1.2	46.4	1.6	52.9	1.9
	46	23.3	0.7	28.4	0.9	33.1	1.0	39.6	1.3	46.4	1.6	52.9	2.0
	50	23.3	0.8	28.4	0.9	33.1	1.1	39.6	1.3	46.4	1.7	52.9	2.1
	54	23.3	0.8	28.4	0.9	33.1	1.1	39.6	1.4	46.4	1.8	52.9	2.3
	57	23.3	0.8	28.4	1.0	33.1	1.1	39.6	1.5	46.4	1.9	52.9	2.5
	61	23.3	0.8	28.4	1.0	33.1	1.2	39.6	1.6	46.4	2.1	52.9	2.7
	64	23.3	0.9	28.4	1.1	33.1	1.3	39.6	1.7	46.4	2.3	52.9	3.0
	68	23.3	1.0	28.4	1.2	33.1	1.5	39.6	1.9	46.4	2.5	52.9	3.2
	70	23.3	1.0	28.4	1.3	33.1	1.5	39.6	2.0	46.4	2.7	52.9	3.4
	73	23.3	1.1	28.4	1.4	33.1	1.7	39.6	2.2	46.4	2.9	52.9	3.7
	77	23.3	1.2	28.4	1.5	33.1	1.8	39.6	2.4	46.4	3.2	52.9	4.0
	81	23.3	1.3	28.4	1.6	33.1	2.0	39.6	2.6	46.4	3.4	52.9	4.4
84	23.3	1.4	28.4	1.8	33.1	2.2	39.6	2.8	46.4	3.7	51.7	4.6	
88	23.3	1.5	28.4	1.9	33.1	2.3	39.6	3.1	46.4	4.1	50.3	4.7	
91	23.3	1.7	28.4	2.1	33.1	2.6	39.6	3.4	46.4	4.4	48.8	4.7	
95	23.3	1.8	28.4	2.3	33.1	2.8	39.6	3.7	45.3	4.7	47.2	4.7	
99	23.3	2.0	28.4	2.5	33.1	3.0	39.6	4.0	43.7	4.7	45.7	4.7	
102	23.3	2.1	28.4	2.7	33.1	3.3	39.6	4.3	42.2	4.7	44.1	4.7	
106	23.3	2.3	28.4	2.9	33.1	3.6	39.6	4.7	40.7	4.7	42.4	4.7	
109	23.3	2.5	28.4	3.1	33.1	3.9	37.5	4.7	39.1	4.7	40.9	4.7	
113	23.3	2.7	28.4	3.4	33.1	4.2	36.1	4.7	37.6	4.7	38.9	4.6	
118	23.3	3.0	28.4	3.9	31.2	4.4	31.7	4.1	32.4	3.9	32.7	3.6	
122	23.3	3.3	26.7	3.9	27.1	3.7	27.5	3.5	28.0	3.3	28.8	3.2	
100%	5	21.2	0.6	25.8	0.7	30.1	0.8	36.0	0.9	42.2	1.1	48.1	1.4
	10	21.2	0.6	25.8	0.7	30.1	0.8	36.0	0.9	42.2	1.1	48.1	1.4
	14	21.2	0.6	25.8	0.7	30.1	0.8	36.0	0.9	42.2	1.2	48.1	1.4
	18	21.2	0.6	25.8	0.7	30.1	0.8	36.0	1.0	42.2	1.2	48.1	1.5
	23	21.2	0.6	25.8	0.7	30.1	0.8	36.0	1.0	42.2	1.2	48.1	1.5
	28	21.2	0.6	25.8	0.7	30.1	0.8	36.0	1.0	42.2	1.2	48.1	1.6
	32	21.2	0.6	25.8	0.7	30.1	0.8	36.0	1.0	42.2	1.2	48.1	1.6
	36	21.2	0.6	25.8	0.7	30.1	0.9	36.0	1.0	42.2	1.3	48.1	1.6
	39	21.2	0.6	25.8	0.8	30.1	0.9	36.0	1.1	42.2	1.3	48.1	1.6
	43	21.2	0.6	25.8	0.8	30.1	0.9	36.0	1.1	42.2	1.3	48.1	1.6
	46	21.2	0.6	25.8	0.8	30.1	0.9	36.0	1.1	42.2	1.3	48.1	1.6
	50	21.2	0.7	25.8	0.8	30.1	0.9	36.0	1.1	42.2	1.4	48.1	1.7
	54	21.2	0.7	25.8	0.8	30.1	1.0	36.0	1.2	42.2	1.5	48.1	1.8
	57	21.2	0.7	25.8	0.9	30.1	1.0	36.0	1.2	42.2	1.6	48.1	2.0
	61	21.2	0.7	25.8	0.9	30.1	1.0	36.0	1.3	42.2	1.7	48.1	2.2
	64	21.2	0.8	25.8	0.9	30.1	1.1	36.0	1.5	42.2	1.9	48.1	2.4
	68	21.2	0.8	25.8	1.1	30.1	1.3	36.0	1.6	42.2	2.1	48.1	2.6
	70	21.2	0.9	25.8	1.1	30.1	1.3	36.0	1.7	42.2	2.2	48.1	2.8
	73	21.2	1.0	25.8	1.2	30.1	1.4	36.0	1.8	42.2	2.4	48.1	3.0
	77	21.2	1.1	25.8	1.3	30.1	1.6	36.0	2.0	42.2	2.6	48.1	3.3
	81	21.2	1.2	25.8	1.4	30.1	1.7	36.0	2.2	42.2	2.9	48.1	3.6
84	21.2	1.3	25.8	1.6	30.1	1.9	36.0	2.4	42.2	3.1	48.1	3.9	
88	21.2	1.4	25.8	1.7	30.1	2.0	36.0	2.6	42.2	3.4	48.1	4.2	
91	21.2	1.5	25.8	1.8	30.1	2.2	36.0	2.8	42.2	3.7	48.1	4.6	
95	21.2	1.6	25.8	2.0	30.1	2.4	36.0	3.1	42.2	4.0	46.2	4.7	
99	21.2	1.7	25.8	2.2	30.1	2.6	36.0	3.4	42.2	4.4	44.6	4.7	
102	21.2	1.9	25.8	2.3	30.1	2.8	36.0	3.7	42.2	4.8	43.2	4.7	
106	21.2	2.0	25.8	2.5	30.1	3.1	36.0	4.0	39.8	4.7	41.6	4.7	
109	21.2	2.2	25.8	2.7	30.1	3.3	36.0	4.4	38.3	4.7	40.0	4.7	
113	21.2	2.4	25.8	3.0	30.1	3.6	36.0	4.8	36.8	4.7	38.5	4.7	
118	21.2	2.7	25.8	3.4	30.1	4.2	31.6	4.2	32.3	4.0	33.0	3.8	
122	21.2	2.9	25.8	3.7	26.9	3.8	27.6	3.6	28.1	3.4	28.5	3.2	

NOTE - Power Input = Compressor + Outdoor Fan Motor.
MBH = 1000 BTUs per hour.

COOLING CAPACITY

VPC036H4M-3PS

Combination (%)	Outdoor Temperature °F (Dry Bulb)	Indoor Temperature - °F (Dry Bulb / Wet Bulb)											
		67 / 57		71 / 60		75 / 63		80 / 67		85 / 71		90 / 75	
		Total Cap. MBH	Power Input kW	Total Cap. MBH	Power Input kW	Total Cap. MBH	Power Input kW	Total Cap. MBH	Power Input kW	Total Cap. MBH	Power Input kW	Total Cap. MBH	Power Input kW
90%	5	19.1	0.5	23.2	0.6	27.1	0.7	32.4	0.8	38.0	1.0	43.3	1.1
	10	19.1	0.5	23.2	0.6	27.1	0.7	32.4	0.8	38.0	1.0	43.3	1.2
	14	19.1	0.5	23.2	0.6	27.1	0.7	32.4	0.8	38.0	1.0	43.3	1.2
	18	19.1	0.5	23.2	0.6	27.1	0.7	32.4	0.9	38.0	1.0	43.3	1.3
	23	19.1	0.5	23.2	0.6	27.1	0.7	32.4	0.9	38.0	1.0	43.3	1.3
	28	19.1	0.5	23.2	0.6	27.1	0.7	32.4	0.9	38.0	1.0	43.3	1.3
	32	19.1	0.5	23.2	0.6	27.1	0.7	32.4	0.9	38.0	1.0	43.3	1.3
	36	19.1	0.5	23.2	0.6	27.1	0.8	32.4	0.9	38.0	1.1	43.3	1.3
	39	19.1	0.5	23.2	0.7	27.1	0.8	32.4	0.9	38.0	1.1	43.3	1.3
	43	19.1	0.5	23.2	0.7	27.1	0.8	32.4	1.0	38.0	1.2	43.3	1.3
	46	19.1	0.6	23.2	0.7	27.1	0.8	32.4	1.0	38.0	1.2	43.3	1.4
	50	19.1	0.6	23.2	0.7	27.1	0.8	32.4	1.0	38.0	1.2	43.3	1.4
	54	19.1	0.6	23.2	0.7	27.1	0.8	32.4	1.0	38.0	1.2	43.3	1.5
	57	19.1	0.6	23.2	0.7	27.1	0.9	32.4	1.0	38.0	1.3	43.3	1.6
	61	19.1	0.6	23.2	0.8	27.1	0.9	32.4	1.1	38.0	1.4	43.3	1.8
	64	19.1	0.7	23.2	0.8	27.1	1.0	32.4	1.2	38.0	1.6	43.3	1.9
	68	19.1	0.7	23.2	0.9	27.1	1.1	32.4	1.4	38.0	1.7	43.3	2.1
	70	19.1	0.8	23.2	1.0	27.1	1.1	32.4	1.4	38.0	1.8	43.3	2.2
	73	19.1	0.9	23.2	1.1	27.1	1.2	32.4	1.6	38.0	2.0	43.3	2.4
	77	19.1	0.9	23.2	1.2	27.1	1.4	32.4	1.7	38.0	2.2	43.3	2.7
	81	19.1	1.0	23.2	1.3	27.1	1.5	32.4	1.9	38.0	2.4	43.3	2.9
84	19.1	1.1	23.2	1.4	27.1	1.6	32.4	2.0	38.0	2.6	43.3	3.2	
88	19.1	1.2	23.2	1.5	27.1	1.8	32.4	2.2	38.0	2.8	43.3	3.4	
91	19.1	1.3	23.2	1.6	27.1	1.9	32.4	2.4	38.0	3.1	43.3	3.8	
95	19.1	1.4	23.2	1.7	27.1	2.1	32.4	2.6	38.0	3.3	43.3	4.1	
99	19.1	1.5	23.2	1.9	27.1	2.2	32.4	2.8	38.0	3.6	43.3	4.5	
102	19.1	1.7	23.2	2.0	27.1	2.4	32.4	3.1	38.0	3.9	42.0	4.7	
106	19.1	1.8	23.2	2.2	27.1	2.6	32.4	3.4	38.0	4.3	40.6	4.7	
109	19.1	2.0	23.2	2.4	27.1	2.9	32.4	3.7	38.0	4.7	39.1	4.7	
113	19.1	2.1	23.2	2.6	27.1	3.1	32.4	4.0	36.0	4.7	37.7	4.7	
118	19.1	2.4	23.2	2.9	27.1	3.5	31.4	4.4	31.8	4.1	32.4	3.9	
122	19.1	2.6	23.2	3.2	27.1	3.9	27.2	3.6	27.7	3.4	28.5	3.3	
80%	5	17.0	0.5	20.6	0.5	24.1	0.6	28.8	0.7	33.7	0.9	38.5	1.0
	10	17.0	0.5	20.6	0.6	24.1	0.6	28.8	0.7	33.7	0.9	38.5	1.0
	14	17.0	0.5	20.6	0.6	24.1	0.6	28.8	0.8	33.7	0.9	38.5	1.0
	18	17.0	0.5	20.6	0.6	24.1	0.6	28.8	0.8	33.7	0.9	38.5	1.0
	23	17.0	0.5	20.6	0.6	24.1	0.6	28.8	0.8	33.7	0.9	38.5	1.0
	28	17.0	0.5	20.6	0.6	24.1	0.6	28.8	0.8	33.7	0.9	38.5	1.0
	32	17.0	0.5	20.6	0.6	24.1	0.6	28.8	0.8	33.7	0.9	38.5	1.0
	36	17.0	0.5	20.6	0.6	24.1	0.7	28.8	0.8	33.7	0.9	38.5	1.0
	39	17.0	0.5	20.6	0.6	24.1	0.7	28.8	0.8	33.7	1.0	38.5	1.0
	43	17.0	0.5	20.6	0.6	24.1	0.7	28.8	0.8	33.7	1.0	38.5	1.1
	46	17.0	0.5	20.6	0.6	24.1	0.7	28.8	0.8	33.7	1.0	38.5	1.1
	50	17.0	0.5	20.6	0.6	24.1	0.7	28.8	0.8	33.7	1.0	38.5	1.1
	54	17.0	0.5	20.6	0.7	24.1	0.7	28.8	0.9	33.7	1.0	38.5	1.2
	57	17.0	0.5	20.6	0.7	24.1	0.7	28.8	0.9	33.7	1.1	38.5	1.3
	61	17.0	0.6	20.6	0.7	24.1	0.8	28.8	0.9	33.7	1.2	38.5	1.4
	64	17.0	0.6	20.6	0.7	24.1	0.8	28.8	1.0	33.7	1.3	38.5	1.5
	68	17.0	0.6	20.6	0.8	24.1	0.9	28.8	1.1	33.7	1.4	38.5	1.7
	70	17.0	0.7	20.6	0.8	24.1	1.0	28.8	1.2	33.7	1.5	38.5	1.8
	73	17.0	0.7	20.6	0.9	24.1	1.1	28.8	1.3	33.7	1.6	38.5	2.0
	77	17.0	0.8	20.6	1.0	24.1	1.2	28.8	1.4	33.7	1.8	38.5	2.1
	81	17.0	0.9	20.6	1.1	24.1	1.3	28.8	1.6	33.7	1.9	38.5	2.3
84	17.0	1.0	20.6	1.2	24.1	1.4	28.8	1.7	33.7	2.1	38.5	2.6	
88	17.0	1.1	20.6	1.3	24.1	1.5	28.8	1.9	33.7	2.3	38.5	2.8	
91	17.0	1.2	20.6	1.4	24.1	1.6	28.8	2.0	33.7	2.5	38.5	3.0	
95	17.0	1.3	20.6	1.5	24.1	1.8	28.8	2.2	33.7	2.7	38.5	3.3	
99	17.0	1.4	20.6	1.6	24.1	1.9	28.8	2.4	33.7	3.0	38.5	3.6	
102	17.0	1.5	20.6	1.8	24.1	2.1	28.8	2.6	33.7	3.2	38.5	3.9	
106	17.0	1.6	20.6	1.9	24.1	2.3	28.8	2.8	33.7	3.5	38.5	4.3	
109	17.0	1.7	20.6	2.1	24.1	2.5	28.8	3.1	33.7	3.8	38.5	4.7	
113	17.0	1.9	20.6	2.3	24.1	2.7	28.8	3.3	33.7	4.2	36.6	4.7	
118	17.0	2.1	20.6	2.6	24.1	3.0	28.8	3.8	31.6	4.2	32.0	4.0	
122	17.0	2.3	20.6	2.8	24.1	3.3	27.0	3.7	27.4	3.5	27.9	3.3	

NOTE - Power Input = Compressor + Outdoor Fan Motor.
MBH = 1000 BTUs per hour.

COOLING CAPACITY

VPC036H4M-3PS

Combination (%)	Outdoor Temperature °F (Dry Bulb)	Indoor Temperature - °F (Dry Bulb / Wet Bulb)											
		67 / 57		71 / 60		75 / 63		80 / 67		85 / 71		90 / 75	
		Total Cap. MBH	Power Input kW	Total Cap. MBH	Power Input kW	Total Cap. MBH	Power Input kW	Total Cap. MBH	Power Input kW	Total Cap. MBH	Power Input kW	Total Cap. MBH	Power Input kW
70%	5	14.9	0.4	18.1	0.5	21.1	0.6	25.2	0.7	29.5	0.8	33.7	0.9
	10	14.9	0.4	18.1	0.5	21.1	0.6	25.2	0.7	29.5	0.8	33.7	0.9
	14	14.9	0.4	18.1	0.5	21.1	0.6	25.2	0.7	29.5	0.8	33.7	0.9
	18	14.9	0.4	18.1	0.5	21.1	0.6	25.2	0.7	29.5	0.8	33.7	0.9
	23	14.9	0.4	18.1	0.5	21.1	0.6	25.2	0.7	29.5	0.8	33.7	0.9
	28	14.9	0.4	18.1	0.5	21.1	0.6	25.2	0.7	29.5	0.8	33.7	0.9
	32	14.9	0.4	18.1	0.5	21.1	0.6	25.2	0.7	29.5	0.8	33.7	0.9
	36	14.9	0.4	18.1	0.5	21.1	0.6	25.2	0.7	29.5	0.8	33.7	0.9
	39	14.9	0.4	18.1	0.5	21.1	0.6	25.2	0.7	29.5	0.8	33.7	0.9
	43	14.9	0.4	18.1	0.5	21.1	0.6	25.2	0.7	29.5	0.8	33.7	0.9
	46	14.9	0.4	18.1	0.5	21.1	0.6	25.2	0.7	29.5	0.8	33.7	0.9
	50	14.9	0.4	18.1	0.5	21.1	0.6	25.2	0.7	29.5	0.8	33.7	1.0
	54	14.9	0.4	18.1	0.5	21.1	0.6	25.2	0.7	29.5	0.9	33.7	1.0
	57	14.9	0.4	18.1	0.6	21.1	0.6	25.2	0.7	29.5	0.9	33.7	1.0
	61	14.9	0.5	18.1	0.6	21.1	0.7	25.2	0.8	29.5	1.0	33.7	1.1
	64	14.9	0.5	18.1	0.6	21.1	0.7	25.2	0.8	29.5	1.0	33.7	1.2
	68	14.9	0.6	18.1	0.7	21.1	0.8	25.2	0.9	29.5	1.1	33.7	1.4
	70	14.9	0.6	18.1	0.7	21.1	0.8	25.2	1.0	29.5	1.2	33.7	1.4
	73	14.9	0.6	18.1	0.8	21.1	0.9	25.2	1.1	29.5	1.3	33.7	1.6
	77	14.9	0.7	18.1	0.9	21.1	1.0	25.2	1.2	29.5	1.4	33.7	1.7
	81	14.9	0.8	18.1	0.9	21.1	1.1	25.2	1.3	29.5	1.6	33.7	1.9
84	14.9	0.9	18.1	1.0	21.1	1.2	25.2	1.4	29.5	1.7	33.7	2.0	
88	14.9	0.9	18.1	1.1	21.1	1.3	25.2	1.6	29.5	1.9	33.7	2.2	
91	14.9	1.0	18.1	1.2	21.1	1.4	25.2	1.7	29.5	2.0	33.7	2.4	
95	14.9	1.1	18.1	1.3	21.1	1.5	25.2	1.8	29.5	2.2	33.7	2.6	
99	14.9	1.2	18.1	1.4	21.1	1.6	25.2	2.0	29.5	2.4	33.7	2.9	
102	14.9	1.3	18.1	1.5	21.1	1.8	25.2	2.2	29.5	2.6	33.7	3.1	
106	14.9	1.4	18.1	1.7	21.1	1.9	25.2	2.3	29.5	2.8	33.7	3.4	
109	14.9	1.5	18.1	1.8	21.1	2.1	25.2	2.5	29.5	3.1	33.7	3.7	
113	14.9	1.6	18.1	2.0	21.1	2.3	25.2	2.8	29.5	3.4	33.7	4.1	
118	14.9	1.8	18.1	2.2	21.1	2.6	25.2	3.1	29.5	3.9	31.7	4.2	
122	14.9	2.0	18.1	2.4	21.1	2.8	25.2	3.4	27.2	3.7	27.6	3.4	
60%	5	12.7	0.4	15.5	0.4	18.1	0.5	21.6	0.6	25.3	0.7	28.9	0.7
	10	12.7	0.4	15.5	0.4	18.1	0.5	21.6	0.6	25.3	0.7	28.9	0.7
	14	12.7	0.4	15.5	0.4	18.1	0.5	21.6	0.6	25.3	0.7	28.9	0.7
	18	12.7	0.4	15.5	0.4	18.1	0.5	21.6	0.6	25.3	0.7	28.9	0.7
	23	12.7	0.4	15.5	0.4	18.1	0.5	21.6	0.6	25.3	0.7	28.9	0.7
	28	12.7	0.4	15.5	0.4	18.1	0.5	21.6	0.6	25.3	0.7	28.9	0.7
	32	12.7	0.4	15.5	0.4	18.1	0.5	21.6	0.6	25.3	0.7	28.9	0.8
	36	12.7	0.4	15.5	0.4	18.1	0.5	21.6	0.6	25.3	0.7	28.9	0.8
	39	12.7	0.4	15.5	0.4	18.1	0.5	21.6	0.6	25.3	0.7	28.9	0.8
	43	12.7	0.4	15.5	0.4	18.1	0.5	21.6	0.6	25.3	0.7	28.9	0.8
	46	12.7	0.4	15.5	0.4	18.1	0.5	21.6	0.6	25.3	0.7	28.9	0.8
	50	12.7	0.4	15.5	0.4	18.1	0.5	21.6	0.6	25.3	0.7	28.9	0.8
	54	12.7	0.4	15.5	0.5	18.1	0.5	21.6	0.6	25.3	0.7	28.9	0.8
	57	12.7	0.4	15.5	0.5	18.1	0.5	21.6	0.6	25.3	0.7	28.9	0.8
	61	12.7	0.4	15.5	0.5	18.1	0.5	21.6	0.7	25.3	0.8	28.9	0.9
	64	12.7	0.4	15.5	0.5	18.1	0.6	21.6	0.7	25.3	0.8	28.9	1.0
	68	12.7	0.5	15.5	0.6	18.1	0.6	21.6	0.8	25.3	0.9	28.9	1.1
	70	12.7	0.5	15.5	0.6	18.1	0.7	21.6	0.8	25.3	1.0	28.9	1.1
	73	12.7	0.6	15.5	0.6	18.1	0.7	21.6	0.9	25.3	1.1	28.9	1.2
	77	12.7	0.6	15.5	0.7	18.1	0.8	21.6	1.0	25.3	1.2	28.9	1.4
	81	12.7	0.7	15.5	0.8	18.1	0.9	21.6	1.1	25.3	1.3	28.9	1.5
84	12.7	0.7	15.5	0.9	18.1	1.0	21.6	1.2	25.3	1.4	28.9	1.6	
88	12.7	0.8	15.5	0.9	18.1	1.1	21.6	1.3	25.3	1.5	28.9	1.8	
91	12.7	0.9	15.5	1.0	18.1	1.2	21.6	1.4	25.3	1.7	28.9	1.9	
95	12.7	0.9	15.5	1.1	18.1	1.3	21.6	1.5	25.3	1.8	28.9	2.1	
99	12.7	1.0	15.5	1.2	18.1	1.4	21.6	1.6	25.3	2.0	28.9	2.3	
102	12.7	1.1	15.5	1.3	18.1	1.5	21.6	1.8	25.3	2.1	28.9	2.5	
106	12.7	1.2	15.5	1.4	18.1	1.6	21.6	1.9	25.3	2.3	28.9	2.7	
109	12.7	1.3	15.5	1.5	18.1	1.8	21.6	2.1	25.3	2.5	28.9	2.9	
113	12.7	1.4	15.5	1.7	18.1	1.9	21.6	2.3	25.3	2.7	28.9	3.2	
118	12.7	1.6	15.5	1.9	18.1	2.2	21.6	2.6	25.3	3.1	28.9	3.6	
122	12.7	1.7	15.5	2.0	18.1	2.3	21.6	2.8	25.3	3.4	27.3	3.6	

NOTE - Power Input = Compressor + Outdoor Fan Motor.
MBH = 1000 BTUs per hour.

COOLING CAPACITY

VPC036H4M-3PS

Combination (%)	Outdoor Temperature °F (Dry Bulb)	Indoor Temperature - °F (Dry Bulb / Wet Bulb)											
		67 / 57		71 / 60		75 / 63		80 / 67		85 / 71		90 / 75	
		Total Cap. MBH	Power Input kW	Total Cap. MBH	Power Input kW	Total Cap. MBH	Power Input kW	Total Cap. MBH	Power Input kW	Total Cap. MBH	Power Input kW	Total Cap. MBH	Power Input kW
50%	5	10.6	0.3	12.9	0.4	15.0	0.4	18.0	0.5	21.1	0.5	24.0	0.6
	10	10.6	0.3	12.9	0.4	15.0	0.4	18.0	0.5	21.1	0.6	24.0	0.6
	14	10.6	0.3	12.9	0.4	15.0	0.4	18.0	0.5	21.1	0.6	24.0	0.6
	18	10.6	0.3	12.9	0.4	15.0	0.4	18.0	0.5	21.1	0.6	24.0	0.6
	23	10.6	0.3	12.9	0.4	15.0	0.4	18.0	0.5	21.1	0.6	24.0	0.6
	28	10.6	0.3	12.9	0.4	15.0	0.4	18.0	0.5	21.1	0.6	24.0	0.6
	32	10.6	0.3	12.9	0.4	15.0	0.4	18.0	0.5	21.1	0.6	24.0	0.6
	36	10.6	0.3	12.9	0.4	15.0	0.4	18.0	0.5	21.1	0.6	24.0	0.6
	39	10.6	0.3	12.9	0.4	15.0	0.4	18.0	0.5	21.1	0.6	24.0	0.7
	43	10.6	0.3	12.9	0.4	15.0	0.4	18.0	0.5	21.1	0.6	24.0	0.7
	46	10.6	0.3	12.9	0.4	15.0	0.4	18.0	0.5	21.1	0.6	24.0	0.7
	50	10.6	0.3	12.9	0.4	15.0	0.4	18.0	0.5	21.1	0.6	24.0	0.7
	54	10.6	0.3	12.9	0.4	15.0	0.4	18.0	0.5	21.1	0.6	24.0	0.7
	57	10.6	0.3	12.9	0.4	15.0	0.5	18.0	0.5	21.1	0.6	24.0	0.7
	61	10.6	0.4	12.9	0.4	15.0	0.5	18.0	0.5	21.1	0.6	24.0	0.7
	64	10.6	0.4	12.9	0.4	15.0	0.5	18.0	0.6	21.1	0.6	24.0	0.7
	68	10.6	0.4	12.9	0.5	15.0	0.5	18.0	0.6	21.1	0.7	24.0	0.8
	70	10.6	0.4	12.9	0.5	15.0	0.6	18.0	0.6	21.1	0.7	24.0	0.9
	73	10.6	0.5	12.9	0.5	15.0	0.6	18.0	0.7	21.1	0.8	24.0	1.0
	77	10.6	0.5	12.9	0.6	15.0	0.7	18.0	0.8	21.1	0.9	24.0	1.1
81	10.6	0.6	12.9	0.7	15.0	0.8	18.0	0.9	21.1	1.0	24.0	1.2	
84	10.6	0.6	12.9	0.7	15.0	0.8	18.0	1.0	21.1	1.1	24.0	1.3	
88	10.6	0.7	12.9	0.8	15.0	0.9	18.0	1.0	21.1	1.2	24.0	1.4	
91	10.6	0.7	12.9	0.9	15.0	1.0	18.0	1.1	21.1	1.3	24.0	1.5	
95	10.6	0.8	12.9	0.9	15.0	1.0	18.0	1.2	21.1	1.4	24.0	1.6	
99	10.6	0.9	12.9	1.0	15.0	1.1	18.0	1.3	21.1	1.6	24.0	1.8	
102	10.6	0.9	12.9	1.1	15.0	1.2	18.0	1.5	21.1	1.7	24.0	2.0	
106	10.6	1.0	12.9	1.2	15.0	1.3	18.0	1.6	21.1	1.9	24.0	2.1	
109	10.6	1.1	12.9	1.3	15.0	1.5	18.0	1.7	21.1	2.0	24.0	2.3	
113	10.6	1.2	12.9	1.4	15.0	1.6	18.0	1.9	21.1	2.2	24.0	2.5	
118	10.6	1.3	12.9	1.6	15.0	1.8	18.0	2.1	21.1	2.5	24.0	2.8	
122	10.6	1.5	12.9	1.7	15.0	1.9	18.0	2.3	21.1	2.7	24.0	3.1	

NOTE - Power Input = Compressor + Outdoor Fan Motor.
 MBH = 1000 BTUs per hour.

HEATING CAPACITY

VPC036H4M-3PS

Combination (%)	Outdoor Temperature (°F)		Indoor Temperature - °F Dry Bulb											
			61		65		68		70		72		75	
	Dry Bulb	Wet Bulb	Total Cap.	Power Input	Total Cap.	Power Input	Total Cap.	Power Input	Total Cap.	Power Input	Total Cap.	Power Input	Total Cap.	Power Input
			MBH	kW	MBH	kW	MBH	kW	MBH	kW	MBH	kW	MBH	kW
130%	-13	-14	16.4	2.8	16.4	2.9	16.4	2.9	16.4	2.9	16.4	3.0	16.3	3.0
	-4	-4	20.7	2.9	20.6	3.0	20.6	3.0	20.5	3.1	20.5	3.1	20.4	3.2
	-2	-2	21.5	2.9	21.4	3.0	21.4	3.0	21.3	3.1	21.2	3.1	21.1	3.2
	6	5	24.9	3.0	24.7	3.1	24.6	3.1	24.5	3.2	24.4	3.2	24.3	3.3
	10	8	26.5	3.0	26.3	3.1	26.2	3.2	26.1	3.2	26.0	3.2	25.8	3.3
	13	12	28.2	3.0	28.1	3.1	27.9	3.2	27.8	3.2	27.7	3.3	27.5	3.4
	15	14	29.2	3.1	29.0	3.1	28.9	3.2	28.7	3.3	28.6	3.3	28.4	3.4
	17	15	30.0	3.1	29.7	3.2	29.6	3.2	29.4	3.3	29.3	3.3	29.1	3.4
	19	18	31.2	3.1	31.0	3.2	30.8	3.2	30.7	3.3	30.6	3.3	30.3	3.4
	22	19	31.6	3.2	31.4	3.2	31.2	3.3	31.0	3.4	30.9	3.4	30.7	3.5
	26	22	33.5	3.2	33.3	3.3	33.0	3.4	32.9	3.4	32.7	3.5	32.5	3.5
	30	26	35.4	3.2	35.1	3.3	34.9	3.4	34.7	3.4	34.5	3.5	34.3	3.6
	35	30	37.9	3.2	37.5	3.3	37.3	3.4	37.1	3.5	36.9	3.5	36.6	3.6
	39	34	39.9	3.3	39.5	3.4	39.2	3.5	39.0	3.5	38.8	3.6	38.5	3.7
	44	38	42.5	3.3	42.1	3.4	41.8	3.5	41.6	3.6	41.3	3.6	41.0	3.7
	47	43	45.1	3.3	44.7	3.5	44.3	3.6	44.1	3.6	43.9	3.7	43.5	3.8
	51	45	46.1	3.3	45.6	3.5	45.3	3.6	45.1	3.6	44.8	3.7	44.5	3.8
	54	47	47.6	3.4	47.1	3.5	46.8	3.6	46.5	3.7	46.3	3.7	46.2	3.8
	57	50	49.2	3.4	48.7	3.5	48.4	3.6	48.1	3.7	47.9	3.8	46.2	3.6
	60	53	50.9	3.4	50.4	3.5	50.0	3.7	49.7	3.7	49.7	3.8	46.2	3.5
63	55	52.5	3.4	52.0	3.6	51.6	3.7	52.0	3.8	49.7	3.6	46.2	3.3	
66	58	54.1	3.5	53.6	3.6	54.3	3.8	52.0	3.6	49.7	3.4	46.2	3.1	
69	61	55.8	3.5	55.3	3.6	54.3	3.6	52.0	3.4	49.7	3.2	46.2	3.0	
72	62	56.8	3.5	56.2	3.7	54.3	3.5	52.0	3.3	49.7	3.1	46.2	2.9	
75	64	58.1	3.5	57.8	3.6	54.3	3.4	52.0	3.2	49.7	3.0	46.2	2.7	
78	67	59.8	3.6	57.8	3.4	54.3	3.2	52.0	3.0	49.7	2.8	46.2	2.6	
80	69	62.4	3.6	57.8	3.3	54.3	3.0	52.0	2.8	49.7	2.7	46.2	2.4	
120%	-13	-14	16.4	2.8	16.4	2.9	16.4	2.9	16.3	3.0	16.3	3.0	16.3	3.0
	-4	-4	20.6	2.9	20.6	3.0	20.5	3.0	20.5	3.1	20.4	3.1	20.3	3.2
	-2	-2	21.5	2.9	21.4	3.0	21.3	3.1	21.2	3.1	21.2	3.1	21.1	3.2
	6	5	24.8	3.0	24.7	3.1	24.5	3.1	24.4	3.2	24.4	3.2	24.2	3.3
	10	8	26.4	3.0	26.3	3.1	26.1	3.2	26.0	3.2	25.9	3.3	25.7	3.3
	13	12	28.2	3.1	28.0	3.2	27.8	3.2	27.7	3.3	27.6	3.3	27.4	3.4
	15	14	29.2	3.1	29.0	3.2	28.8	3.2	28.7	3.3	28.5	3.3	28.3	3.4
	17	15	29.9	3.1	29.7	3.2	29.5	3.3	29.4	3.3	29.2	3.3	29.0	3.4
	19	18	31.2	3.1	30.9	3.2	30.7	3.3	30.6	3.3	30.5	3.4	30.2	3.5
	22	19	31.5	3.2	31.3	3.3	31.1	3.4	30.9	3.4	30.8	3.5	30.6	3.5
	26	22	33.4	3.2	33.2	3.3	32.9	3.4	32.8	3.4	32.6	3.5	32.4	3.6
	30	26	35.3	3.2	35.0	3.4	34.8	3.4	34.6	3.5	34.4	3.5	34.2	3.6
	35	30	37.8	3.3	37.4	3.4	37.2	3.5	37.0	3.5	36.8	3.6	36.5	3.7
	39	34	39.7	3.3	39.4	3.4	39.1	3.5	38.9	3.6	38.7	3.6	38.4	3.7
	44	38	42.2	3.3	41.8	3.5	41.5	3.6	41.3	3.6	41.1	3.7	40.8	3.8
	47	43	44.8	3.4	44.4	3.5	44.0	3.6	43.8	3.7	43.6	3.8	42.6	3.7
	51	45	45.8	3.4	45.4	3.5	45.0	3.6	44.8	3.7	44.5	3.8	42.6	3.6
	54	47	47.3	3.4	46.8	3.6	46.5	3.7	46.2	3.7	45.9	3.7	42.6	3.4
	57	50	48.9	3.5	48.4	3.6	48.0	3.7	48.0	3.7	45.9	3.6	42.6	3.3
	60	53	50.5	3.5	50.0	3.6	50.1	3.7	48.0	3.6	45.9	3.4	42.6	3.1
63	55	52.1	3.5	51.6	3.7	50.1	3.6	48.0	3.4	45.9	3.2	42.6	2.9	
66	58	53.8	3.5	53.4	3.6	50.1	3.4	48.0	3.2	45.9	3.0	42.6	2.8	
69	61	55.4	3.6	53.4	3.5	50.1	3.2	48.0	3.0	45.9	2.9	42.6	2.6	
72	62	56.3	3.6	53.4	3.4	50.1	3.1	48.0	2.9	45.9	2.8	42.6	2.6	
75	64	57.6	3.5	53.4	3.2	50.1	3.0	48.0	2.8	45.9	2.7	42.6	2.4	
78	67	57.6	3.3	53.4	3.0	50.1	2.8	48.0	2.7	45.9	2.5	42.6	2.3	
80	69	57.6	3.1	53.4	2.9	50.1	2.6	48.0	2.5	45.9	2.4	42.6	2.2	

NOTE - All Total Capacity and Power Input Data at 2°F Dry Bulb / 1°F Wet Bulb Outdoor Temperature is simulated at these operating conditions.

Recommended minimum heating operating temperature is -4°F.

Power Input = Compressor + Outdoor Fan Motor.

MBH = 1000 BTUs per hour.

HEATING CAPACITY

VPC036H4M-3PS

Combination (%)	Outdoor Temperature (°F)		Indoor Temperature - °F Dry Bulb											
			61		65		68		70		72		75	
			Total Cap.	Power Input	Total Cap.	Power Input	Total Cap.	Power Input	Total Cap.	Power Input	Total Cap.	Power Input	Total Cap.	Power Input
	Dry Bulb	Wet Bulb	MBH	kW	MBH	kW	MBH	kW	MBH	kW	MBH	kW	MBH	kW
110%	-13	-14	16.3	2.8	16.3	2.9	16.3	2.9	16.3	3.0	16.2	3.0	16.2	3.1
	-4	-4	20.6	2.9	20.5	3.0	20.4	3.1	20.4	3.1	20.3	3.1	20.2	3.2
	-2	-2	21.4	2.9	21.3	3.0	21.2	3.1	21.2	3.1	21.1	3.2	21.0	3.2
	6	5	24.7	3.0	24.6	3.1	24.5	3.2	24.4	3.2	24.3	3.3	24.1	3.3
	10	8	26.4	3.1	26.2	3.1	26.1	3.2	25.9	3.3	25.8	3.3	25.7	3.4
	13	12	28.1	3.1	27.9	3.2	27.8	3.3	27.6	3.3	27.5	3.3	27.3	3.4
	15	14	29.1	3.1	28.9	3.2	28.7	3.3	28.6	3.3	28.5	3.4	28.2	3.4
	17	15	29.8	3.1	29.6	3.2	29.4	3.3	29.3	3.3	29.1	3.4	28.9	3.5
	19	18	31.1	3.2	30.9	3.2	30.7	3.3	30.5	3.4	30.4	3.4	30.1	3.5
	22	19	31.4	3.2	31.2	3.3	31.0	3.4	30.8	3.4	30.7	3.5	30.5	3.6
	26	22	33.4	3.3	33.1	3.4	32.9	3.4	32.7	3.5	32.5	3.5	32.3	3.6
	30	26	35.2	3.3	34.9	3.4	34.7	3.5	34.5	3.5	34.3	3.6	34.1	3.7
	35	30	37.6	3.3	37.3	3.4	37.0	3.5	36.8	3.6	36.6	3.7	36.4	3.7
	39	34	39.5	3.4	39.1	3.5	38.8	3.6	38.7	3.6	38.5	3.7	38.1	3.8
	44	38	41.9	3.4	41.6	3.5	41.2	3.6	41.0	3.7	40.8	3.8	39.1	3.6
	47	43	44.5	3.5	44.1	3.6	43.7	3.7	44.0	3.8	42.1	3.6	39.1	3.3
	51	45	45.5	3.5	45.0	3.6	44.7	3.7	44.0	3.7	42.1	3.5	39.1	3.2
	54	47	46.9	3.5	46.5	3.6	45.9	3.7	44.0	3.5	42.1	3.3	39.1	3.1
	57	50	48.5	3.5	48.9	3.7	45.9	3.5	44.0	3.3	42.1	3.2	39.1	2.9
	60	53	50.1	3.6	48.9	3.6	45.9	3.3	44.0	3.1	42.1	3.0	39.1	2.8
63	55	51.7	3.6	48.9	3.4	45.9	3.1	44.0	3.0	42.1	2.8	39.1	2.6	
66	58	52.8	3.5	48.9	3.2	45.9	3.0	44.0	2.8	42.1	2.7	39.1	2.5	
69	61	52.8	3.3	48.9	3.0	45.9	2.8	44.0	2.7	42.1	2.5	39.1	2.3	
72	62	52.8	3.2	48.9	2.9	45.9	2.7	44.0	2.6	42.1	2.5	39.1	2.3	
75	64	52.8	3.1	48.9	2.8	45.9	2.6	44.0	2.5	42.1	2.3	39.1	2.2	
78	67	52.8	2.9	48.9	2.6	45.9	2.4	44.0	2.3	42.1	2.2	39.1	2.0	
80	69	52.8	2.7	48.9	2.5	45.9	2.3	44.0	2.2	42.1	2.1	39.1	1.9	
100%	-13	-14	16.3	2.8	16.3	2.9	16.3	3.0	16.2	3.0	16.2	3.0	16.1	3.1
	-4	-4	20.6	3.0	20.5	3.0	20.4	3.1	20.3	3.1	20.3	3.2	20.2	3.2
	-2	-2	21.4	3.0	21.3	3.1	21.2	3.1	21.1	3.2	21.0	3.2	20.9	3.2
	6	5	24.7	3.1	24.5	3.1	24.4	3.2	24.3	3.2	24.2	3.3	24.1	3.4
	10	8	26.3	3.1	26.1	3.2	26.0	3.2	25.9	3.3	25.8	3.3	25.6	3.4
	13	12	28.1	3.1	27.9	3.2	27.7	3.3	27.6	3.3	27.4	3.4	27.2	3.5
	15	14	29.0	3.2	28.8	3.2	28.6	3.3	28.5	3.4	28.4	3.4	28.2	3.5
	17	15	29.8	3.2	29.5	3.3	29.3	3.3	29.2	3.4	29.1	3.4	28.8	3.5
	19	18	31.0	3.2	30.8	3.3	30.6	3.4	30.4	3.4	30.3	3.5	30.0	3.5
	22	19	31.4	3.3	31.1	3.4	30.9	3.4	30.8	3.5	30.6	3.5	30.4	3.6
	26	22	33.2	3.3	33.0	3.4	32.7	3.5	32.6	3.5	32.4	3.6	32.2	3.7
	30	26	35.0	3.4	34.7	3.5	34.5	3.5	34.3	3.6	34.1	3.7	33.9	3.7
	35	30	37.3	3.4	37.0	3.5	36.7	3.6	36.6	3.7	36.4	3.7	35.5	3.7
	39	34	39.2	3.4	38.8	3.6	38.6	3.6	38.4	3.7	38.2	3.7	35.5	3.5
	44	38	41.6	3.5	41.2	3.6	41.8	3.8	40.0	3.6	38.2	3.5	35.5	3.2
	47	43	44.1	3.5	44.5	3.7	41.8	3.5	40.0	3.3	38.2	3.2	35.5	2.9
	51	45	45.1	3.6	44.5	3.6	41.8	3.4	40.0	3.2	38.2	3.1	35.5	2.8
	54	47	46.6	3.6	44.5	3.5	41.8	3.2	40.0	3.1	38.2	2.9	35.5	2.7
	57	50	48.0	3.6	44.5	3.3	41.8	3.1	40.0	2.9	38.2	2.8	35.5	2.6
	60	53	48.0	3.4	44.5	3.1	41.8	2.9	40.0	2.8	38.2	2.6	35.5	2.4
63	55	48.0	3.2	44.5	2.9	41.8	2.7	40.0	2.6	38.2	2.5	35.5	2.3	
66	58	48.0	3.0	44.5	2.8	41.8	2.6	40.0	2.5	38.2	2.4	35.5	2.2	
69	61	48.0	2.9	44.5	2.6	41.8	2.4	40.0	2.3	38.2	2.2	35.5	2.1	
72	62	48.0	2.8	44.5	2.5	41.8	2.4	40.0	2.3	38.2	2.2	35.5	2.0	
75	64	48.0	2.6	44.5	2.4	41.8	2.3	40.0	2.2	38.2	2.1	35.5	1.9	
78	67	48.0	2.5	44.5	2.3	41.8	2.1	40.0	2.0	38.2	1.9	35.5	1.8	
80	69	48.0	2.3	44.5	2.1	41.8	2.0	40.0	1.9	38.2	1.8	35.5	1.7	

NOTE - All Total Capacity and Power Input Data at 2°F Dry Bulb / 1°F Wet Bulb Outdoor Temperature is simulated at these operating conditions.

Recommended minimum heating operating temperature is -4°F.

Power Input = Compressor + Outdoor Fan Motor.

MBH = 1000 BTUs per hour.

HEATING CAPACITY

VPC036H4M-3PS

Combination (%)	Outdoor Temperature (°F)		Indoor Temperature - °F Dry Bulb											
			61		65		68		70		72		75	
	Dry Bulb	Wet Bulb	Total Cap.	Power Input	Total Cap.	Power Input	Total Cap.	Power Input	Total Cap.	Power Input	Total Cap.	Power Input	Total Cap.	Power Input
			MBH	kW	MBH	kW	MBH	kW	MBH	kW	MBH	kW	MBH	kW
90%	-13	-14	16.3	2.8	16.2	2.9	16.2	3.0	16.2	3.0	16.2	3.0	16.1	3.1
	-4	-4	20.5	3.0	20.4	3.1	20.3	3.1	20.3	3.2	20.2	3.2	20.1	3.3
	-2	-2	21.3	3.0	21.2	3.1	21.1	3.1	21.1	3.2	21.0	3.2	20.9	3.3
	6	5	24.7	3.1	24.5	3.2	24.3	3.2	24.2	3.3	24.1	3.3	24.0	3.4
	10	8	26.3	3.1	26.1	3.2	25.9	3.3	25.8	3.3	25.7	3.4	25.5	3.4
	13	12	28.0	3.2	27.8	3.3	27.6	3.3	27.5	3.4	27.4	3.4	27.2	3.5
	15	14	29.0	3.2	28.8	3.3	28.6	3.4	28.4	3.4	28.3	3.5	28.1	3.5
	17	15	29.7	3.2	29.4	3.3	29.2	3.4	29.1	3.4	29.0	3.5	28.7	3.6
	19	18	30.9	3.3	30.6	3.3	30.4	3.4	30.3	3.5	30.1	3.5	29.9	3.6
	22	19	31.2	3.3	30.9	3.4	30.7	3.5	30.6	3.6	30.4	3.6	30.2	3.7
	26	22	33.0	3.4	32.7	3.5	32.5	3.6	32.3	3.6	32.2	3.7	32.0	3.7
	30	26	34.8	3.4	34.5	3.5	34.2	3.6	34.0	3.7	34.4	3.8	32.0	3.5
	35	30	37.1	3.5	36.7	3.6	36.4	3.7	36.0	3.7	34.4	3.5	32.0	3.2
	39	34	38.9	3.5	38.5	3.6	37.6	3.6	36.0	3.4	34.4	3.3	32.0	3.0
	44	38	41.3	3.6	40.0	3.5	37.6	3.3	36.0	3.2	34.4	3.0	32.0	2.8
	47	43	43.2	3.5	40.0	3.2	37.6	3.0	36.0	2.9	34.4	2.8	32.0	2.6
	51	45	43.2	3.4	40.0	3.1	37.6	2.9	36.0	2.8	34.4	2.7	32.0	2.5
	54	47	43.2	3.2	40.0	3.0	37.6	2.8	36.0	2.7	34.4	2.6	32.0	2.4
	57	50	43.2	3.1	40.0	2.8	37.6	2.7	36.0	2.5	34.4	2.4	32.0	2.3
	60	53	43.2	2.9	40.0	2.7	37.6	2.5	36.0	2.4	34.4	2.3	32.0	2.1
63	55	43.2	2.7	40.0	2.5	37.6	2.4	36.0	2.3	34.4	2.2	32.0	2.0	
66	58	43.2	2.6	40.0	2.4	37.6	2.2	36.0	2.1	34.4	2.0	32.0	1.9	
69	61	43.2	2.4	40.0	2.3	37.6	2.1	36.0	2.0	34.4	1.9	32.0	1.8	
72	62	43.2	2.4	40.0	2.2	37.6	2.0	36.0	2.0	34.4	1.9	32.0	1.7	
75	64	43.2	2.2	40.0	2.1	37.6	1.9	36.0	1.9	34.4	1.8	32.0	1.7	
78	67	43.2	2.1	40.0	1.9	37.6	1.8	36.0	1.7	34.4	1.7	32.0	1.6	
80	69	43.2	2.0	40.0	1.8	37.6	1.7	36.0	1.6	34.4	1.6	32.0	1.5	
80%	-13	-14	16.3	2.9	16.2	2.9	16.2	3.0	16.2	3.0	16.1	3.1	16.1	3.1
	-4	-4	20.5	3.0	20.4	3.1	20.3	3.2	20.2	3.2	20.2	3.2	20.0	3.3
	-2	-2	21.3	3.0	21.2	3.1	21.1	3.2	21.0	3.2	20.9	3.3	20.8	3.3
	6	5	24.6	3.1	24.4	3.2	24.3	3.3	24.2	3.3	24.1	3.4	23.9	3.4
	10	8	26.2	3.2	26.0	3.3	25.9	3.3	25.7	3.4	25.6	3.4	25.4	3.5
	13	12	27.9	3.2	27.6	3.3	27.5	3.4	27.3	3.4	27.2	3.5	27.0	3.6
	15	14	28.8	3.3	28.5	3.4	28.4	3.4	28.2	3.5	28.1	3.5	28.4	3.7
	17	15	29.5	3.3	29.2	3.4	29.0	3.5	28.9	3.5	28.7	3.5	28.4	3.6
	19	18	30.7	3.3	30.4	3.4	30.2	3.5	30.0	3.5	29.9	3.6	28.4	3.4
	22	19	31.0	3.4	30.7	3.5	30.5	3.6	30.3	3.6	30.6	3.7	28.4	3.5
	26	22	32.7	3.5	32.4	3.6	32.2	3.6	32.0	3.6	30.6	3.5	28.4	3.2
	30	26	34.5	3.5	34.1	3.6	33.4	3.6	32.0	3.4	30.6	3.3	28.4	3.0
	35	30	36.7	3.6	35.6	3.5	33.4	3.3	32.0	3.2	30.6	3.0	28.4	2.8
	39	34	38.4	3.6	35.6	3.3	33.4	3.1	32.0	3.0	30.6	2.8	28.4	2.6
	44	38	38.4	3.3	35.6	3.0	33.4	2.9	32.0	2.7	30.6	2.6	28.4	2.4
	47	43	38.4	3.0	35.6	2.8	33.4	2.6	32.0	2.5	30.6	2.4	28.4	2.2
	51	45	38.4	2.9	35.6	2.7	33.4	2.5	32.0	2.4	30.6	2.3	28.4	2.2
	54	47	38.4	2.8	35.6	2.6	33.4	2.4	32.0	2.3	30.6	2.2	28.4	2.1
	57	50	38.4	2.6	35.6	2.4	33.4	2.3	32.0	2.2	30.6	2.1	28.4	2.0
	60	53	38.4	2.5	35.6	2.3	33.4	2.1	32.0	2.1	30.6	2.0	28.4	1.9
63	55	38.4	2.3	35.6	2.2	33.4	2.0	32.0	1.9	30.6	1.9	28.4	1.8	
66	58	38.4	2.2	35.6	2.0	33.4	1.9	32.0	1.8	30.6	1.8	28.4	1.7	
69	61	38.4	2.1	35.6	1.9	33.4	1.8	32.0	1.7	30.6	1.7	28.4	1.6	
72	62	38.4	2.0	35.6	1.8	33.4	1.7	32.0	1.7	30.6	1.6	28.4	1.5	
75	64	38.4	1.9	35.6	1.8	33.4	1.7	32.0	1.6	30.6	1.5	28.4	1.5	
78	67	38.4	1.8	35.6	1.7	33.4	1.6	32.0	1.5	30.6	1.5	28.4	1.4	
80	69	38.4	1.7	35.6	1.5	33.4	1.5	32.0	1.4	30.6	1.4	28.4	1.3	

NOTE - All Total Capacity and Power Input Data at 2°F Dry Bulb / 1°F Wet Bulb Outdoor Temperature is simulated at these operating conditions.

Recommended minimum heating operating temperature is -4°F.

Power Input = Compressor + Outdoor Fan Motor.

MBH = 1000 BTUs per hour.

HEATING CAPACITY

VPC036H4M-3PS

Combination (%)	Outdoor Temperature (°F)		Indoor Temperature - °F Dry Bulb											
			61		65		68		70		72		75	
			Total Cap.	Power Input	Total Cap.	Power Input	Total Cap.	Power Input	Total Cap.	Power Input	Total Cap.	Power Input	Total Cap.	Power Input
	Dry Bulb	Wet Bulb	MBH	kW	MBH	kW	MBH	kW	MBH	kW	MBH	kW	MBH	kW
70%	-13	-14	16.2	2.9	16.2	3.0	16.2	3.0	16.1	3.1	16.1	3.1	16.0	3.2
	-4	-4	20.5	3.1	20.4	3.1	20.3	3.2	20.2	3.2	20.1	3.3	20.0	3.3
	-2	-2	21.3	3.1	21.2	3.2	21.0	3.2	21.0	3.3	20.9	3.3	20.7	3.4
	6	5	24.5	3.2	24.3	3.3	24.2	3.4	24.1	3.4	23.9	3.4	23.8	3.5
	10	8	26.0	3.3	25.8	3.3	25.6	3.4	25.5	3.5	25.4	3.5	24.9	3.5
	13	12	27.6	3.3	27.4	3.4	27.2	3.5	27.1	3.5	26.8	3.5	24.9	3.3
	15	14	28.5	3.3	28.3	3.4	28.1	3.5	28.0	3.5	26.8	3.4	24.9	3.1
	17	15	29.2	3.4	28.9	3.5	29.2	3.6	28.0	3.4	26.8	3.3	24.9	3.1
	19	18	30.4	3.4	30.1	3.5	29.2	3.4	28.0	3.3	26.8	3.2	24.9	2.9
	22	19	30.7	3.5	30.4	3.6	29.2	3.5	28.0	3.3	26.8	3.2	24.9	3.0
	26	22	32.4	3.6	31.1	3.5	29.2	3.3	28.0	3.1	26.8	3.0	24.9	2.8
	30	26	33.6	3.5	31.1	3.2	29.2	3.1	28.0	2.9	26.8	2.8	24.9	2.6
	35	30	33.6	3.2	31.1	3.0	29.2	2.8	28.0	2.7	26.8	2.6	24.9	2.4
	39	34	33.6	3.0	31.1	2.8	29.2	2.6	28.0	2.5	26.8	2.4	24.9	2.3
	44	38	33.6	2.8	31.1	2.6	29.2	2.4	28.0	2.3	26.8	2.2	24.9	2.1
	47	43	33.6	2.5	31.1	2.4	29.2	2.2	28.0	2.1	26.8	2.1	24.9	1.9
	51	45	33.6	2.5	31.1	2.3	29.2	2.2	28.0	2.1	26.8	2.0	24.9	1.9
	54	47	33.6	2.3	31.1	2.2	29.2	2.0	28.0	2.0	26.8	1.9	24.9	1.8
	57	50	33.6	2.2	31.1	2.0	29.2	1.9	28.0	1.9	26.8	1.8	24.9	1.7
	60	53	33.6	2.1	31.1	1.9	29.2	1.8	28.0	1.8	26.8	1.7	24.9	1.6
63	55	33.6	1.9	31.1	1.8	29.2	1.7	28.0	1.7	26.8	1.6	24.9	1.5	
66	58	33.6	1.8	31.1	1.7	29.2	1.6	28.0	1.6	26.8	1.5	24.9	1.4	
69	61	33.6	1.7	31.1	1.6	29.2	1.5	28.0	1.5	26.8	1.4	24.9	1.4	
72	62	33.6	1.7	31.1	1.6	29.2	1.5	28.0	1.4	26.8	1.4	24.9	1.3	
75	64	33.6	1.6	31.1	1.5	29.2	1.4	28.0	1.4	26.8	1.3	24.9	1.3	
78	67	33.6	1.5	31.1	1.4	29.2	1.3	28.0	1.3	26.8	1.3	24.9	1.2	
80	69	33.6	1.4	31.1	1.3	29.2	1.3	28.0	1.2	26.8	1.2	24.9	1.1	
60%	-13	-14	16.3	3.0	16.2	3.0	16.2	3.1	16.1	3.1	16.1	3.2	16.0	3.2
	-4	-4	20.4	3.1	20.3	3.2	20.2	3.3	20.1	3.3	20.0	3.3	19.9	3.4
	-2	-2	21.2	3.2	21.1	3.2	20.9	3.3	20.8	3.3	20.8	3.4	20.6	3.4
	6	5	24.3	3.3	24.1	3.4	23.9	3.4	24.0	3.5	22.9	3.3	21.3	3.1
	10	8	25.8	3.3	25.5	3.4	25.1	3.4	24.0	3.3	22.9	3.1	21.3	2.9
	13	12	27.3	3.4	26.7	3.4	25.1	3.2	24.0	3.1	22.9	2.9	21.3	2.8
	15	14	28.2	3.5	26.7	3.3	25.1	3.1	24.0	3.0	22.9	2.8	21.3	2.7
	17	15	28.8	3.4	26.7	3.2	25.1	3.0	24.0	2.9	22.9	2.8	21.3	2.6
	19	18	28.8	3.3	26.7	3.1	25.1	2.9	24.0	2.8	22.9	2.7	21.3	2.5
	22	19	28.8	3.3	26.7	3.1	25.1	2.9	24.0	2.8	22.9	2.7	21.3	2.5
	26	22	28.8	3.1	26.7	2.9	25.1	2.7	24.0	2.6	22.9	2.5	21.3	2.4
	30	26	28.8	2.9	26.7	2.7	25.1	2.6	24.0	2.5	22.9	2.4	21.3	2.2
	35	30	28.8	2.7	26.7	2.5	25.1	2.4	24.0	2.3	22.9	2.2	21.3	2.1
	39	34	28.8	2.5	26.7	2.3	25.1	2.2	24.0	2.1	22.9	2.1	21.3	1.9
	44	38	28.8	2.3	26.7	2.2	25.1	2.0	24.0	2.0	22.9	1.9	21.3	1.8
	47	43	28.8	2.1	26.7	2.0	25.1	1.9	24.0	1.8	22.9	1.7	21.3	1.6
	51	45	28.8	2.0	26.7	1.9	25.1	1.8	24.0	1.7	22.9	1.7	21.3	1.6
	54	47	28.8	1.9	26.7	1.8	25.1	1.7	24.0	1.7	22.9	1.6	21.3	1.5
	57	50	28.8	1.8	26.7	1.7	25.1	1.6	24.0	1.6	22.9	1.5	21.3	1.4
	60	53	28.8	1.7	26.7	1.6	25.1	1.5	24.0	1.5	22.9	1.4	21.3	1.4
63	55	28.8	1.6	26.7	1.5	25.1	1.5	24.0	1.4	22.9	1.4	21.3	1.3	
66	58	28.8	1.5	26.7	1.4	25.1	1.4	24.0	1.3	22.9	1.3	21.3	1.2	
69	61	28.8	1.4	26.7	1.4	25.1	1.3	24.0	1.3	22.9	1.2	21.3	1.2	
72	62	28.8	1.4	26.7	1.3	25.1	1.3	24.0	1.2	22.9	1.2	21.3	1.1	
75	64	28.8	1.3	26.7	1.3	25.1	1.2	24.0	1.2	22.9	1.1	21.3	1.1	
78	67	28.8	1.2	26.7	1.2	25.1	1.1	24.0	1.1	22.9	1.1	21.3	1.0	
80	69	28.8	1.2	26.7	1.1	25.1	1.1	24.0	1.0	22.9	1.0	21.3	1.0	

NOTE - All Total Capacity and Power Input Data at 2°F Dry Bulb / 1°F Wet Bulb Outdoor Temperature is simulated at these operating conditions.

Recommended minimum heating operating temperature is -4°F.

Power Input = Compressor + Outdoor Fan Motor.

MBH = 1000 BTUs per hour.

HEATING CAPACITY

VPC036H4M-3PS

Combination (%)	Outdoor Temperature (°F)		Indoor Temperature - °F Dry Bulb											
			61		65		68		70		72		75	
	Dry Bulb	Wet Bulb	Total Cap.	Power Input	Total Cap.	Power Input	Total Cap.	Power Input	Total Cap.	Power Input	Total Cap.	Power Input	Total Cap.	Power Input
			MBH	kW	MBH	kW	MBH	kW	MBH	kW	MBH	kW	MBH	kW
50%	-13	-14	16.3	3.0	16.2	3.1	16.1	3.2	16.1	3.2	16.1	3.2	16.0	3.3
	-4	-4	20.3	3.2	20.1	3.3	20.0	3.4	20.0	3.4	19.1	3.2	17.8	3.0
	-2	-2	21.0	3.3	20.8	3.3	20.9	3.4	20.0	3.3	19.1	3.1	17.8	2.9
	6	5	24.0	3.4	22.2	3.1	20.9	3.0	20.0	2.9	19.1	2.7	17.8	2.6
	10	8	24.0	3.2	22.2	3.0	20.9	2.8	20.0	2.7	19.1	2.6	17.8	2.4
	13	12	24.0	3.0	22.2	2.8	20.9	2.6	20.0	2.5	19.1	2.4	17.8	2.3
	15	14	24.0	2.9	22.2	2.7	20.9	2.5	20.0	2.4	19.1	2.3	17.8	2.2
	17	15	24.0	2.8	22.2	2.6	20.9	2.5	20.0	2.4	19.1	2.3	17.8	2.1
	19	18	24.0	2.7	22.2	2.5	20.9	2.4	20.0	2.3	19.1	2.2	17.8	2.1
	22	19	24.0	2.7	22.2	2.5	20.9	2.4	20.0	2.3	19.1	2.2	17.8	2.1
	26	22	24.0	2.5	22.2	2.4	20.9	2.2	20.0	2.2	19.1	2.1	17.8	2.0
	30	26	24.0	2.4	22.2	2.2	20.9	2.1	20.0	2.0	19.1	2.0	17.8	1.8
	35	30	24.0	2.2	22.2	2.0	20.9	1.9	20.0	1.9	19.1	1.8	17.8	1.7
	39	34	24.0	2.0	22.2	1.9	20.9	1.8	20.0	1.8	19.1	1.7	17.8	1.6
	44	38	24.0	1.9	22.2	1.8	20.9	1.7	20.0	1.6	19.1	1.6	17.8	1.5
	47	43	24.0	1.7	22.2	1.6	20.9	1.6	20.0	1.5	19.1	1.5	17.8	1.4
	51	45	24.0	1.6	22.2	1.5	20.9	1.5	20.0	1.4	19.1	1.4	17.8	1.3
	54	47	24.0	1.6	22.2	1.5	20.9	1.4	20.0	1.4	19.1	1.3	17.8	1.2
	57	50	24.0	1.5	22.2	1.4	20.9	1.3	20.0	1.3	19.1	1.2	17.8	1.2
	60	53	24.0	1.4	22.2	1.3	20.9	1.3	20.0	1.2	19.1	1.2	17.8	1.1
63	55	24.0	1.3	22.2	1.3	20.9	1.2	20.0	1.2	19.1	1.1	17.8	1.0	
66	58	24.0	1.2	22.2	1.2	20.9	1.1	20.0	1.1	19.1	1.1	17.8	1.0	
69	61	24.0	1.2	22.2	1.1	20.9	1.1	20.0	1.1	19.1	1.0	17.8	1.0	
72	62	24.0	1.1	22.2	1.1	20.9	1.0	20.0	1.0	19.1	1.0	17.8	1.0	
75	64	24.0	1.1	22.2	1.0	20.9	1.0	20.0	1.0	19.1	0.9	17.8	0.9	
78	67	24.0	1.0	22.2	1.0	20.9	0.9	20.0	0.9	19.1	0.9	17.8	0.9	
80	69	24.0	0.9	22.2	0.9	20.9	0.9	20.0	0.9	19.1	0.8	17.8	0.8	

NOTE - All Total Capacity and Power Input Data at 2°F Dry Bulb / 1°F Wet Bulb Outdoor Temperature is simulated at these operating conditions.

Recommended minimum heating operating temperature is -4°F.

Power Input = Compressor + Outdoor Fan Motor.

MBH = 1000 BTUs per hour.

COOLING CAPACITY

VPC036H4M-3PD

Combination (%)	Outdoor Temperature °F (Dry Bulb)	Indoor Temperature - °F (Dry Bulb / Wet Bulb)											
		67 / 57		71 / 60		75 / 63		80 / 67		85 / 71		90 / 75	
		Total Cap. MBH	Power Input kW	Total Cap. MBH	Power Input kW	Total Cap. MBH	Power Input kW	Total Cap. MBH	Power Input kW	Total Cap. MBH	Power Input kW	Total Cap. MBH	Power Input kW
130%	5	27.6	0.9	33.5	1.0	39.1	1.2	46.8	1.4	54.8	1.5	62.5	1.9
	10	27.6	0.9	33.5	1.0	39.1	1.3	46.8	1.4	54.8	1.5	62.5	1.9
	14	27.6	0.9	33.5	1.0	39.1	1.3	46.8	1.4	54.8	1.5	62.5	2.0
	18	27.6	0.9	33.5	1.1	39.1	1.3	46.8	1.5	54.8	1.6	62.5	2.0
	23	27.6	0.9	33.5	1.2	39.1	1.3	46.8	1.5	54.8	1.6	62.5	2.0
	28	27.6	1.0	33.5	1.2	39.1	1.3	46.8	1.6	54.8	1.6	62.5	2.1
	32	27.6	1.0	33.5	1.2	39.1	1.3	46.8	1.6	54.8	1.9	62.5	2.1
	36	27.6	1.0	33.5	1.2	39.1	1.3	46.8	1.6	54.8	1.8	62.5	2.2
	39	27.6	0.9	33.5	1.2	39.1	1.4	46.8	1.6	54.8	1.9	62.5	2.3
	43	27.6	1.0	33.5	1.2	39.1	1.3	46.8	1.6	54.8	2.0	62.5	2.3
	46	27.6	1.0	33.5	1.2	39.1	1.4	46.8	1.7	54.8	2.0	62.5	2.4
	50	27.6	1.0	33.5	1.2	39.1	1.4	46.8	1.7	54.8	2.1	62.5	2.5
	54	27.6	1.0	33.5	1.2	39.1	1.4	46.8	1.8	54.8	2.2	62.5	2.8
	57	27.6	1.0	33.5	1.3	39.1	1.5	46.8	1.9	54.8	2.4	62.5	3.1
	61	27.6	1.1	33.5	1.3	39.1	1.6	46.8	2.1	54.8	2.7	62.5	3.4
	64	27.6	1.1	33.5	1.4	39.1	1.7	46.8	2.3	54.8	2.9	62.5	3.7
	68	27.6	1.2	33.5	1.6	39.1	1.9	46.8	2.5	54.8	3.2	62.5	4.0
	70	27.6	1.3	33.5	1.6	39.1	2.0	46.8	2.6	54.8	3.3	62.5	4.2
	73	27.6	1.4	33.5	1.8	39.1	2.2	46.8	2.8	54.8	3.6	62.5	4.6
	77	27.6	1.6	33.5	1.9	39.1	2.4	46.8	3.0	54.8	3.9	62.5	5.0
	81	27.6	1.7	33.5	2.1	39.1	2.6	46.8	3.3	54.8	4.2	62.5	5.4
84	27.6	1.8	33.5	2.3	39.1	2.7	46.8	3.5	54.8	4.6	61.2	5.7	
88	27.6	2.0	33.5	2.5	39.1	3.0	46.8	3.8	54.8	5.0	60.1	5.9	
91	27.6	2.1	33.5	2.7	39.1	3.2	46.8	4.1	54.8	5.4	59.0	6.2	
95	27.6	2.3	33.5	2.9	39.1	3.5	46.8	4.4	54.8	5.9	57.8	6.3	
99	27.6	2.5	33.5	3.1	39.1	3.7	46.8	4.8	54.8	6.4	56.2	6.3	
102	27.6	2.6	33.5	3.3	39.1	4.0	46.8	5.2	52.2	6.3	54.6	6.4	
106	27.6	2.8	33.5	3.6	39.1	4.3	46.8	5.7	50.5	6.3	52.7	6.3	
109	27.6	3.1	33.5	3.9	39.1	4.7	46.8	6.2	49.0	6.4	51.2	6.3	
113	27.6	3.3	33.5	4.2	39.1	5.1	44.9	6.3	45.7	5.8	46.7	5.5	
118	27.6	3.7	33.5	4.7	36.9	5.2	37.5	4.9	38.5	4.7	38.8	4.3	
122	27.6	4.0	31.4	4.6	31.8	4.4	32.9	4.2	33.4	3.9	33.7	3.6	
120%	5	25.5	0.8	30.9	1.0	36.1	1.1	43.2	1.5	50.6	1.5	57.7	1.9
	10	25.5	0.8	30.9	0.9	36.1	1.1	43.2	1.4	50.6	1.5	57.7	1.9
	14	25.5	0.8	30.9	1.0	36.1	1.2	43.2	1.4	50.6	1.5	57.7	1.9
	18	25.5	0.8	30.9	1.0	36.1	1.2	43.2	1.4	50.6	1.6	57.7	1.9
	23	25.5	0.8	30.9	1.1	36.1	1.2	43.2	1.4	50.6	1.6	57.7	1.9
	28	25.5	0.8	30.9	1.1	36.1	1.2	43.2	1.4	50.6	1.7	57.7	1.9
	32	25.5	0.9	30.9	1.1	36.1	1.2	43.2	1.4	50.6	1.7	57.7	2.0
	36	25.5	0.9	30.9	1.1	36.1	1.2	43.2	1.4	50.6	1.7	57.7	2.0
	39	25.5	0.9	30.9	1.1	36.1	1.3	43.2	1.4	50.6	1.7	57.7	2.0
	43	25.5	0.9	30.9	1.0	36.1	1.3	43.2	1.5	50.6	1.7	57.7	2.1
	46	25.5	0.9	30.9	1.1	36.1	1.2	43.2	1.5	50.6	1.8	57.7	2.1
	50	25.5	0.9	30.9	1.1	36.1	1.3	43.2	1.6	50.6	1.9	57.7	2.2
	54	25.5	0.9	30.9	1.1	36.1	1.3	43.2	1.6	50.6	2.0	57.7	2.4
	57	25.5	0.9	30.9	1.1	36.1	1.3	43.2	1.7	50.6	2.1	57.7	2.6
	61	25.5	1.0	30.9	1.2	36.1	1.4	43.2	1.8	50.6	2.3	57.7	2.9
	64	25.5	1.0	30.9	1.3	36.1	1.5	43.2	2.0	50.6	2.5	57.7	3.1
	68	25.5	1.1	30.9	1.4	36.1	1.7	43.2	2.2	50.6	2.8	57.7	3.4
	70	25.5	1.2	30.9	1.5	36.1	1.8	43.2	2.3	50.6	2.9	57.7	3.5
	73	25.5	1.3	30.9	1.6	36.1	1.9	43.2	2.5	50.6	3.1	57.7	3.8
	77	25.5	1.4	30.9	1.7	36.1	2.1	43.2	2.7	50.6	3.4	57.7	4.2
	81	25.5	1.5	30.9	1.9	36.1	2.3	43.2	2.9	50.6	3.6	57.7	4.5
84	25.5	1.7	30.9	2.0	36.1	2.5	43.2	3.1	50.6	3.9	57.7	4.9	
88	25.5	1.8	30.9	2.2	36.1	2.6	43.2	3.3	50.6	4.3	57.7	5.3	
91	25.5	1.9	30.9	2.4	36.1	2.9	43.2	3.6	50.6	4.6	57.7	5.8	
95	25.5	2.1	30.9	2.6	36.1	3.1	43.2	3.9	50.6	5.0	57.7	6.4	
99	25.5	2.2	30.9	2.8	36.1	3.3	43.2	4.2	50.6	5.4	55.1	6.3	
102	25.5	2.4	30.9	3.0	36.1	3.6	43.2	4.6	50.6	5.9	53.4	6.3	
106	25.5	2.6	30.9	3.2	36.1	3.9	43.2	4.9	50.6	6.5	51.8	6.3	
109	25.5	2.8	30.9	3.5	36.1	4.2	43.2	5.3	47.9	6.3	50.3	6.4	
113	25.5	3.0	30.9	3.7	36.1	4.5	43.2	5.8	45.5	6.0	46.4	5.7	
118	25.5	3.4	30.9	4.2	36.1	5.1	37.5	5.0	38.3	4.8	38.6	4.4	
122	25.5	3.6	30.9	4.6	31.7	4.5	32.4	4.2	33.4	4.0	33.7	3.7	

NOTE - Power Input = Compressor + Outdoor Fan Motor.
MBH = 1000 BTUs per hour.

COOLING CAPACITY

VPC036H4M-3PD

Combination (%)	Outdoor Temperature °F (Dry Bulb)	Indoor Temperature - °F (Dry Bulb / Wet Bulb)											
		67 / 57		71 / 60		75 / 63		80 / 67		85 / 71		90 / 75	
		Total Cap. MBH	Power Input kW	Total Cap. MBH	Power Input kW	Total Cap. MBH	Power Input kW	Total Cap. MBH	Power Input kW	Total Cap. MBH	Power Input kW	Total Cap. MBH	Power Input kW
110%	5	23.3	0.7	28.4	0.9	33.1	1.0	39.6	1.2	46.4	1.4	52.9	1.7
	10	23.3	0.7	28.4	0.9	33.1	1.0	39.6	1.3	46.4	1.4	52.9	1.7
	14	23.3	0.7	28.4	0.9	33.1	1.0	39.6	1.3	46.4	1.4	52.9	1.7
	18	23.3	0.7	28.4	0.9	33.1	1.0	39.6	1.3	46.4	1.4	52.9	1.7
	23	23.3	0.7	28.4	0.9	33.1	1.1	39.6	1.3	46.4	1.4	52.9	1.7
	28	23.3	0.7	28.4	1.0	33.1	1.1	39.6	1.3	46.4	1.5	52.9	1.7
	32	23.3	0.7	28.4	1.0	33.1	1.1	39.6	1.3	46.4	1.5	52.9	1.7
	36	23.3	0.8	28.4	1.0	33.1	1.1	39.6	1.3	46.4	1.5	52.9	1.7
	39	23.3	0.8	28.4	1.0	33.1	1.1	39.6	1.3	46.4	1.5	52.9	1.8
	43	23.3	0.8	28.4	1.0	33.1	1.1	39.6	1.3	46.4	1.6	52.9	1.8
	46	23.3	0.8	28.4	1.0	33.1	1.1	39.6	1.3	46.4	1.6	52.9	1.9
	50	23.3	0.8	28.4	1.0	33.1	1.1	39.6	1.4	46.4	1.6	52.9	1.9
	54	23.3	0.8	28.4	1.0	33.1	1.2	39.6	1.4	46.4	1.7	52.9	2.0
	57	23.3	0.8	28.4	1.0	33.1	1.2	39.6	1.5	46.4	1.8	52.9	2.2
	61	23.3	0.9	28.4	1.0	33.1	1.3	39.6	1.6	46.4	2.0	52.9	2.4
	64	23.3	0.9	28.4	1.1	33.1	1.3	39.6	1.7	46.4	2.2	52.9	2.6
	68	23.3	1.0	28.4	1.2	33.1	1.5	39.6	1.9	46.4	2.4	52.9	2.9
	70	23.3	1.0	28.4	1.3	33.1	1.6	39.6	2.0	46.4	2.5	52.9	3.0
	73	23.3	1.2	28.4	1.4	33.1	1.7	39.6	2.1	46.4	2.7	52.9	3.3
	77	23.3	1.3	28.4	1.6	33.1	1.9	39.6	2.3	46.4	2.9	52.9	3.5
	81	23.3	1.4	28.4	1.7	33.1	2.0	39.6	2.5	46.4	3.1	52.9	3.8
84	23.3	1.5	28.4	1.8	33.1	2.2	39.6	2.7	46.4	3.4	52.9	4.1	
88	23.3	1.6	28.4	2.0	33.1	2.3	39.6	2.9	46.4	3.7	52.9	4.5	
91	23.3	1.7	28.4	2.1	33.1	2.5	39.6	3.2	46.4	4.0	52.9	4.8	
95	23.3	1.9	28.4	2.3	33.1	2.7	39.6	3.4	46.4	4.3	52.9	5.3	
99	23.3	2.0	28.4	2.5	33.1	2.9	39.6	3.7	46.4	4.6	52.9	5.8	
102	23.3	2.2	28.4	2.7	33.1	3.2	39.6	4.0	46.4	5.0	52.9	6.3	
106	23.3	2.3	28.4	2.9	33.1	3.4	39.6	4.3	46.4	5.4	50.8	6.3	
109	23.3	2.5	28.4	3.1	33.1	3.7	39.6	4.7	46.4	6.0	49.1	6.3	
113	23.3	2.7	28.4	3.3	33.1	4.0	39.6	5.0	45.1	6.2	45.9	5.8	
118	23.3	3.0	28.4	3.8	33.1	4.5	37.2	5.1	37.9	4.9	38.7	4.6	
122	23.3	3.3	28.4	4.1	31.6	4.6	32.2	4.3	32.7	4.0	33.6	3.8	
100%	5	21.2	0.7	25.8	0.8	30.1	1.0	36.0	1.1	42.2	1.3	48.1	1.5
	10	21.2	0.7	25.8	0.8	30.1	0.9	36.0	1.1	42.2	1.4	48.1	1.5
	14	21.2	0.7	25.8	0.8	30.1	0.9	36.0	1.2	42.2	1.4	48.1	1.5
	18	21.2	0.7	25.8	0.8	30.1	0.9	36.0	1.2	42.2	1.4	48.1	1.5
	23	21.2	0.7	25.8	0.8	30.1	0.9	36.0	1.2	42.2	1.4	48.1	1.5
	28	21.2	0.7	25.8	0.8	30.1	1.0	36.0	1.2	42.2	1.4	48.1	1.5
	32	21.2	0.7	25.8	0.8	30.1	1.0	36.0	1.2	42.2	1.4	48.1	1.5
	36	21.2	0.7	25.8	0.9	30.1	1.0	36.0	1.2	42.2	1.4	48.1	1.6
	39	21.2	0.7	25.8	0.9	30.1	1.0	36.0	1.2	42.2	1.4	48.1	1.5
	43	21.2	0.7	25.8	0.8	30.1	1.0	36.0	1.2	42.2	1.4	48.1	1.6
	46	21.2	0.8	25.8	0.9	30.1	1.0	36.0	1.2	42.2	1.4	48.1	1.6
	50	21.2	0.7	25.8	0.9	30.1	1.0	36.0	1.2	42.2	1.4	48.1	1.7
	54	21.2	0.6	25.8	0.8	30.1	1.0	36.0	1.2	42.2	1.5	48.1	1.7
	57	21.2	0.7	25.8	0.9	30.1	1.0	36.0	1.3	42.2	1.6	48.1	1.9
	61	21.2	0.7	25.8	0.9	30.1	1.1	36.0	1.3	42.2	1.7	48.1	2.0
	64	21.2	0.8	25.8	1.0	30.1	1.2	36.0	1.5	42.2	1.8	48.1	2.2
	68	21.2	0.8	25.8	1.1	30.1	1.3	36.0	1.6	42.2	2.0	48.1	2.4
	70	21.2	0.9	25.8	1.2	30.1	1.4	36.0	1.7	42.2	2.1	48.1	2.5
	73	21.2	1.0	25.8	1.3	30.1	1.5	36.0	1.9	42.2	2.3	48.1	2.8
	77	21.2	1.1	25.8	1.4	30.1	1.6	36.0	2.0	42.2	2.5	48.1	3.0
	81	21.2	1.2	25.8	1.5	30.1	1.8	36.0	2.2	42.2	2.7	48.1	3.2
84	21.2	1.3	25.8	1.6	30.1	1.9	36.0	2.4	42.2	2.9	48.1	3.5	
88	21.2	1.4	25.8	1.8	30.1	2.1	36.0	2.6	42.2	3.2	48.1	3.8	
91	21.2	1.6	25.8	1.9	30.1	2.2	36.0	2.8	42.2	3.4	48.1	4.1	
95	21.2	1.7	25.8	2.0	30.1	2.4	36.0	3.0	42.2	3.7	48.1	4.4	
99	21.2	1.8	25.8	2.2	30.1	2.6	36.0	3.2	42.2	4.0	48.1	4.8	
102	21.2	1.9	25.8	2.4	30.1	2.8	36.0	3.5	42.2	4.3	48.1	5.2	
106	21.2	2.1	25.8	2.5	30.1	3.0	36.0	3.7	42.2	4.7	48.1	5.6	
109	21.2	2.2	25.8	2.8	30.1	3.3	36.0	4.0	42.2	5.0	48.1	6.2	
113	21.2	2.4	25.8	3.0	30.1	3.5	36.0	4.4	42.2	5.5	45.5	6.0	
118	21.2	2.7	25.8	3.3	30.1	4.0	36.0	5.0	37.6	5.0	38.2	4.7	
122	21.2	2.9	25.8	3.6	30.1	4.3	32.0	4.4	32.9	4.2	33.4	3.9	

NOTE - Power Input = Compressor + Outdoor Fan Motor.
 MBH = 1000 BTUs per hour.

COOLING CAPACITY

VPC036H4M-3PD

Combination (%)	Outdoor Temperature °F (Dry Bulb)	Indoor Temperature - °F (Dry Bulb / Wet Bulb)											
		67 / 57		71 / 60		75 / 63		80 / 67		85 / 71		90 / 75	
		Total Cap. MBH	Power Input kW	Total Cap. MBH	Power Input kW	Total Cap. MBH	Power Input kW	Total Cap. MBH	Power Input kW	Total Cap. MBH	Power Input kW	Total Cap. MBH	Power Input kW
90%	5	19.1	0.6	23.2	0.7	27.1	0.8	32.4	1.0	38.0	1.2	43.3	1.4
	10	19.1	0.6	23.2	0.7	27.1	0.8	32.4	1.0	38.0	1.2	43.3	1.4
	14	19.1	0.6	23.2	0.7	27.1	0.8	32.4	1.0	38.0	1.2	43.3	1.4
	18	19.1	0.6	23.2	0.7	27.1	0.8	32.4	1.0	38.0	1.2	43.3	1.4
	23	19.1	0.6	23.2	0.7	27.1	0.8	32.4	1.0	38.0	1.2	43.3	1.4
	28	19.1	0.6	23.2	0.7	27.1	0.8	32.4	1.0	38.0	1.2	43.3	1.4
	32	19.1	0.6	23.2	0.7	27.1	0.9	32.4	1.0	38.0	1.2	43.3	1.4
	36	19.1	0.6	23.2	0.7	27.1	0.9	32.4	1.0	38.0	1.2	43.3	1.4
	39	19.1	0.6	23.2	0.7	27.1	0.8	32.4	1.0	38.0	1.2	43.3	1.4
	43	19.1	0.6	23.2	0.8	27.1	0.9	32.4	1.0	38.0	1.2	43.3	1.4
	46	19.1	0.7	23.2	0.7	27.1	0.9	32.4	1.0	38.0	1.3	43.3	1.4
	50	19.1	0.6	23.2	0.7	27.1	0.9	32.4	1.0	38.0	1.3	43.3	1.4
	54	19.1	0.6	23.2	0.7	27.1	0.9	32.4	1.1	38.0	1.3	43.3	1.5
	57	19.1	0.6	23.2	0.7	27.1	0.9	32.4	1.1	38.0	1.3	43.3	1.5
	61	19.1	0.7	23.2	0.8	27.1	0.9	32.4	1.2	38.0	1.4	43.3	1.7
	64	19.1	0.7	23.2	0.9	27.1	1.0	32.4	1.3	38.0	1.6	43.3	1.9
	68	19.1	0.8	23.2	0.9	27.1	1.1	32.4	1.4	38.0	1.7	43.3	2.0
	70	19.1	0.8	23.2	1.0	27.1	1.2	32.4	1.5	38.0	1.8	43.3	2.1
	73	19.1	0.9	23.2	1.1	27.1	1.3	32.4	1.6	38.0	2.0	43.3	2.3
	77	19.1	1.0	23.2	1.2	27.1	1.4	32.4	1.7	38.0	2.1	43.3	2.5
	81	19.1	1.1	23.2	1.3	27.1	1.5	32.4	1.9	38.0	2.3	43.3	2.7
84	19.1	1.2	23.2	1.4	27.1	1.7	32.4	2.0	38.0	2.5	43.3	3.0	
88	19.1	1.3	23.2	1.6	27.1	1.8	32.4	2.2	38.0	2.7	43.3	3.2	
91	19.1	1.4	23.2	1.7	27.1	2.0	32.4	2.4	38.0	2.9	43.3	3.5	
95	19.1	1.5	23.2	1.8	27.1	2.1	32.4	2.6	38.0	3.2	43.3	3.7	
99	19.1	1.6	23.2	1.9	27.1	2.3	32.4	2.8	38.0	3.4	43.3	4.0	
102	19.1	1.7	23.2	2.1	27.1	2.4	32.4	3.0	38.0	3.7	43.3	4.4	
106	19.1	1.9	23.2	2.2	27.1	2.6	32.4	3.2	38.0	4.0	43.3	4.7	
109	19.1	2.0	23.2	2.4	27.1	2.8	32.4	3.5	38.0	4.3	43.3	5.1	
113	19.1	2.2	23.2	2.6	27.1	3.1	32.4	3.8	38.0	4.7	43.3	5.6	
118	19.1	2.4	23.2	2.9	27.1	3.4	32.4	4.3	38.0	5.3	37.9	4.9	
122	19.1	2.6	23.2	3.2	27.1	3.7	32.4	4.6	32.2	4.2	33.0	4.0	
80%	5	17.0	0.5	20.6	0.6	24.1	0.8	28.8	0.9	33.7	1.0	38.5	1.2
	10	17.0	0.5	20.6	0.6	24.1	0.8	28.8	0.9	33.7	1.0	38.5	1.2
	14	17.0	0.5	20.6	0.6	24.1	0.8	28.8	0.9	33.7	1.0	38.5	1.2
	18	17.0	0.5	20.6	0.6	24.1	0.8	28.8	0.9	33.7	1.0	38.5	1.2
	23	17.0	0.5	20.6	0.7	24.1	0.8	28.8	0.9	33.7	1.1	38.5	1.2
	28	17.0	0.5	20.6	0.7	24.1	0.7	28.8	0.9	33.7	1.1	38.5	1.2
	32	17.0	0.6	20.6	0.6	24.1	0.7	28.8	0.9	33.7	1.1	38.5	1.2
	36	17.0	0.5	20.6	0.6	24.1	0.8	28.8	0.9	33.7	1.1	38.5	1.1
	39	17.0	0.6	20.6	0.6	24.1	0.7	28.8	0.9	33.7	1.1	38.5	1.2
	43	17.0	0.6	20.6	0.7	24.1	0.7	28.8	0.9	33.7	1.0	38.5	1.2
	46	17.0	0.6	20.6	0.7	24.1	0.7	28.8	0.9	33.7	1.1	38.5	1.2
	50	17.0	0.6	20.6	0.6	24.1	0.7	28.8	0.9	33.7	1.1	38.5	1.2
	54	17.0	0.6	20.6	0.6	24.1	0.7	28.8	0.9	33.7	1.1	38.5	1.3
	57	17.0	0.6	20.6	0.6	24.1	0.8	28.8	0.9	33.7	1.1	38.5	1.3
	61	17.0	0.6	20.6	0.7	24.1	0.8	28.8	1.0	33.7	1.2	38.5	1.4
	64	17.0	0.6	20.6	0.7	24.1	0.8	28.8	1.1	33.7	1.3	38.5	1.5
	68	17.0	0.7	20.6	0.8	24.1	0.9	28.8	1.2	33.7	1.4	38.5	1.7
	70	17.0	0.7	20.6	0.8	24.1	1.0	28.8	1.2	33.7	1.5	38.5	1.8
	73	17.0	0.8	20.6	0.9	24.1	1.1	28.8	1.4	33.7	1.7	38.5	1.9
	77	17.0	0.9	20.6	1.1	24.1	1.2	28.8	1.5	33.7	1.8	38.5	2.1
	81	17.0	1.0	20.6	1.2	24.1	1.3	28.8	1.6	33.7	2.0	38.5	2.3
84	17.0	1.1	20.6	1.3	24.1	1.5	28.8	1.8	33.7	2.1	38.5	2.5	
88	17.0	1.2	20.6	1.4	24.1	1.6	28.8	1.9	33.7	2.3	38.5	2.7	
91	17.0	1.2	20.6	1.5	24.1	1.7	28.8	2.1	33.7	2.5	38.5	2.9	
95	17.0	1.3	20.6	1.6	24.1	1.8	28.8	2.2	33.7	2.7	38.5	3.1	
99	17.0	1.4	20.6	1.7	24.1	2.0	28.8	2.4	33.7	2.9	38.5	3.4	
102	17.0	1.5	20.6	1.8	24.1	2.1	28.8	2.6	33.7	3.1	38.5	3.7	
106	17.0	1.6	20.6	2.0	24.1	2.3	28.8	2.8	33.7	3.4	38.5	3.9	
109	17.0	1.8	20.6	2.1	24.1	2.5	28.8	3.0	33.7	3.6	38.5	4.3	
113	17.0	1.9	20.6	2.3	24.1	2.7	28.8	3.2	33.7	3.9	38.5	4.6	
118	17.0	2.1	20.6	2.6	24.1	3.0	28.8	3.6	33.7	4.4	37.4	5.1	
122	17.0	2.3	20.6	2.8	24.1	3.2	28.8	3.9	32.0	4.4	32.6	4.2	

NOTE - Power Input = Compressor + Outdoor Fan Motor.
 MBH = 1000 BTUs per hour.

COOLING CAPACITY

VPC036H4M-3PD

Combination (%)	Outdoor Temperature °F (Dry Bulb)	Indoor Temperature - °F (Dry Bulb / Wet Bulb)											
		67 / 57		71 / 60		75 / 63		80 / 67		85 / 71		90 / 75	
		Total Cap. MBH	Power Input kW	Total Cap. MBH	Power Input kW	Total Cap. MBH	Power Input kW	Total Cap. MBH	Power Input kW	Total Cap. MBH	Power Input kW	Total Cap. MBH	Power Input kW
70%	5	14.9	0.5	18.1	0.5	21.1	0.6	25.2	0.8	29.5	0.9	33.7	1.0
	10	14.9	0.5	18.1	0.6	21.1	0.6	25.2	0.8	29.5	0.9	33.7	1.1
	14	14.9	0.5	18.1	0.6	21.1	0.7	25.2	0.8	29.5	0.9	33.7	1.1
	18	14.9	0.5	18.1	0.6	21.1	0.7	25.2	0.8	29.5	0.9	33.7	1.1
	23	14.9	0.5	18.1	0.6	21.1	0.7	25.2	0.8	29.5	0.9	33.7	1.1
	28	14.9	0.5	18.1	0.6	21.1	0.6	25.2	0.8	29.5	0.9	33.7	1.1
	32	14.9	0.5	18.1	0.6	21.1	0.7	25.2	0.8	29.5	0.9	33.7	1.1
	36	14.9	0.5	18.1	0.6	21.1	0.7	25.2	0.8	29.5	0.9	33.7	1.1
	39	14.9	0.5	18.1	0.6	21.1	0.7	25.2	0.8	29.5	0.9	33.7	1.1
	43	14.9	0.6	18.1	0.6	21.1	0.7	25.2	0.8	29.5	0.9	33.7	1.1
	46	14.9	0.5	18.1	0.6	21.1	0.6	25.2	0.8	29.5	0.9	33.7	1.1
	50	14.9	0.5	18.1	0.6	21.1	0.6	25.2	0.8	29.5	0.9	33.7	1.1
	54	14.9	0.5	18.1	0.6	21.1	0.6	25.2	0.8	29.5	0.9	33.7	1.1
	57	14.9	0.5	18.1	0.6	21.1	0.6	25.2	0.8	29.5	0.9	33.7	1.1
	61	14.9	0.5	18.1	0.6	21.1	0.7	25.2	0.8	29.5	1.0	33.7	1.1
	64	14.9	0.6	18.1	0.7	21.1	0.7	25.2	0.9	29.5	1.1	33.7	1.3
	68	14.9	0.6	18.1	0.7	21.1	0.8	25.2	0.9	29.5	1.2	33.7	1.4
	70	14.9	0.6	18.1	0.7	21.1	0.8	25.2	1.0	29.5	1.3	33.7	1.4
	73	14.9	0.7	18.1	0.8	21.1	1.0	25.2	1.2	29.5	1.4	33.7	1.6
	77	14.9	0.8	18.1	0.9	21.1	1.1	25.2	1.3	29.5	1.5	33.7	1.7
	81	14.9	0.9	18.1	1.0	21.1	1.2	25.2	1.4	29.5	1.6	33.7	1.9
	84	14.9	1.0	18.1	1.1	21.1	1.2	25.2	1.5	29.5	1.8	33.7	2.1
88	14.9	1.0	18.1	1.2	21.1	1.4	25.2	1.6	29.5	1.9	33.7	2.2	
91	14.9	1.1	18.1	1.3	21.1	1.5	25.2	1.7	29.5	2.1	33.7	2.4	
95	14.9	1.2	18.1	1.4	21.1	1.6	25.2	1.9	29.5	2.2	33.7	2.6	
99	14.9	1.3	18.1	1.5	21.1	1.7	25.2	2.0	29.5	2.4	33.7	2.8	
102	14.9	1.3	18.1	1.6	21.1	1.8	25.2	2.2	29.5	2.6	33.7	3.0	
106	14.9	1.5	18.1	1.7	21.1	2.0	25.2	2.4	29.5	2.8	33.7	3.3	
109	14.9	1.6	18.1	1.8	21.1	2.1	25.2	2.5	29.5	3.0	33.7	3.5	
113	14.9	1.7	18.1	2.0	21.1	2.3	25.2	2.7	29.5	3.3	33.7	3.8	
118	14.9	1.9	18.1	2.2	21.1	2.6	25.2	3.1	29.5	3.7	33.7	4.3	
122	14.9	2.0	18.1	2.4	21.1	2.8	25.2	3.3	29.5	4.0	32.1	4.4	
60%	5	12.7	0.4	15.5	0.5	18.1	0.5	21.6	0.7	25.3	0.8	28.9	0.9
	10	12.7	0.4	15.5	0.5	18.1	0.6	21.6	0.7	25.3	0.8	28.9	0.9
	14	12.7	0.4	15.5	0.5	18.1	0.6	21.6	0.7	25.3	0.8	28.9	0.9
	18	12.7	0.4	15.5	0.5	18.1	0.6	21.6	0.7	25.3	0.8	28.9	0.9
	23	12.7	0.4	15.5	0.5	18.1	0.6	21.6	0.7	25.3	0.8	28.9	0.9
	28	12.7	0.4	15.5	0.5	18.1	0.6	21.6	0.7	25.3	0.8	28.9	0.9
	32	12.7	0.4	15.5	0.5	18.1	0.6	21.6	0.7	25.3	0.8	28.9	0.9
	36	12.7	0.4	15.5	0.5	18.1	0.6	21.6	0.7	25.3	0.8	28.9	0.9
	39	12.7	0.5	15.5	0.5	18.1	0.6	21.6	0.7	25.3	0.8	28.9	0.9
	43	12.7	0.5	15.5	0.5	18.1	0.6	21.6	0.7	25.3	0.8	28.9	0.9
	46	12.7	0.5	15.5	0.6	18.1	0.6	21.6	0.6	25.3	0.8	28.9	0.9
	50	12.7	0.5	15.5	0.5	18.1	0.6	21.6	0.7	25.3	0.8	28.9	0.9
	54	12.7	0.5	15.5	0.5	18.1	0.6	21.6	0.6	25.3	0.8	28.9	0.9
	57	12.7	0.5	15.5	0.5	18.1	0.6	21.6	0.7	25.3	0.8	28.9	0.9
	61	12.7	0.5	15.5	0.6	18.1	0.6	21.6	0.7	25.3	0.8	28.9	0.9
	64	12.7	0.5	15.5	0.6	18.1	0.6	21.6	0.7	25.3	0.9	28.9	1.0
	68	12.7	0.5	15.5	0.6	18.1	0.7	21.6	0.8	25.3	0.9	28.9	1.1
	70	12.7	0.6	15.5	0.6	18.1	0.7	21.6	0.8	25.3	1.0	28.9	1.2
	73	12.7	0.6	15.5	0.7	18.1	0.8	21.6	0.9	25.3	1.1	28.9	1.3
	77	12.7	0.7	15.5	0.8	18.1	0.9	21.6	1.1	25.3	1.2	28.9	1.4
	81	12.7	0.8	15.5	0.9	18.1	1.0	21.6	1.1	25.3	1.3	28.9	1.5
	84	12.7	0.9	15.5	1.0	18.1	1.1	21.6	1.2	25.3	1.5	28.9	1.7
88	12.7	0.9	15.5	1.0	18.1	1.2	21.6	1.3	25.3	1.6	28.9	1.8	
91	12.7	1.0	15.5	1.1	18.1	1.2	21.6	1.5	25.3	1.7	28.9	2.0	
95	12.7	1.0	15.5	1.2	18.1	1.3	21.6	1.6	25.3	1.9	28.9	2.1	
99	12.7	1.1	15.5	1.3	18.1	1.4	21.6	1.7	25.3	2.0	28.9	2.3	
102	12.7	1.2	15.5	1.4	18.1	1.5	21.6	1.8	25.3	2.2	28.9	2.5	
106	12.7	1.3	15.5	1.5	18.1	1.7	21.6	2.0	25.3	2.3	28.9	2.7	
109	12.7	1.3	15.5	1.6	18.1	1.8	21.6	2.1	25.3	2.5	28.9	2.9	
113	12.7	1.4	15.5	1.7	18.1	1.9	21.6	2.3	25.3	2.7	28.9	3.1	
118	12.7	1.6	15.5	1.9	18.1	2.2	21.6	2.6	25.3	3.0	28.9	3.5	
122	12.7	1.7	15.5	2.0	18.1	2.3	21.6	2.8	25.3	3.3	28.9	3.8	

NOTE - Power Input = Compressor + Outdoor Fan Motor.
MBH = 1000 BTUs per hour.

COOLING CAPACITY

VPC036H4M-3PD

Combination (%)	Outdoor Temperature °F (Dry Bulb)	Indoor Temperature - °F (Dry Bulb / Wet Bulb)											
		67 / 57		71 / 60		75 / 63		80 / 67		85 / 71		90 / 75	
		Total Cap. MBH	Power Input kW	Total Cap. MBH	Power Input kW	Total Cap. MBH	Power Input kW	Total Cap. MBH	Power Input kW	Total Cap. MBH	Power Input kW	Total Cap. MBH	Power Input kW
50%	5	10.6	0.3	12.9	0.4	15.0	0.5	18.0	0.5	21.1	0.6	24.0	0.7
	10	10.6	0.3	12.9	0.4	15.0	0.5	18.0	0.6	21.1	0.6	24.0	0.7
	14	10.6	0.3	12.9	0.4	15.0	0.5	18.0	0.6	21.1	0.7	24.0	0.8
	18	10.6	0.3	12.9	0.4	15.0	0.5	18.0	0.6	21.1	0.6	24.0	0.7
	23	10.6	0.3	12.9	0.4	15.0	0.5	18.0	0.6	21.1	0.7	24.0	0.8
	28	10.6	0.3	12.9	0.4	15.0	0.5	18.0	0.6	21.1	0.6	24.0	0.7
	32	10.6	0.4	12.9	0.4	15.0	0.5	18.0	0.6	21.1	0.7	24.0	0.7
	36	10.6	0.4	12.9	0.4	15.0	0.5	18.0	0.6	21.1	0.6	24.0	0.7
	39	10.6	0.4	12.9	0.5	15.0	0.5	18.0	0.6	21.1	0.6	24.0	0.7
	43	10.6	0.4	12.9	0.5	15.0	0.6	18.0	0.6	21.1	0.6	24.0	0.7
	46	10.6	0.4	12.9	0.5	15.0	0.5	18.0	0.6	21.1	0.6	24.0	0.7
	50	10.6	0.4	12.9	0.5	15.0	0.5	18.0	0.6	21.1	0.6	24.0	0.7
	54	10.6	0.4	12.9	0.5	15.0	0.5	18.0	0.6	21.1	0.6	24.0	0.7
	57	10.6	0.4	12.9	0.5	15.0	0.5	18.0	0.6	21.1	0.6	24.0	0.7
	61	10.6	0.4	12.9	0.5	15.0	0.6	18.0	0.6	21.1	0.7	24.0	0.7
	64	10.6	0.4	12.9	0.5	15.0	0.6	18.0	0.6	21.1	0.7	24.0	0.8
	68	10.6	0.5	12.9	0.5	15.0	0.6	18.0	0.7	21.1	0.7	24.0	0.8
	70	10.6	0.5	12.9	0.6	15.0	0.6	18.0	0.7	21.1	0.8	24.0	0.9
	73	10.6	0.5	12.9	0.6	15.0	0.7	18.0	0.8	21.1	0.9	24.0	1.0
	77	10.6	0.7	12.9	0.7	15.0	0.8	18.0	0.9	21.1	1.0	24.0	1.1
81	10.6	0.7	12.9	0.8	15.0	0.9	18.0	1.0	21.1	1.1	24.0	1.2	
84	10.6	0.8	12.9	0.9	15.0	0.9	18.0	1.0	21.1	1.2	24.0	1.3	
88	10.6	0.8	12.9	0.9	15.0	1.0	18.0	1.1	21.1	1.3	24.0	1.4	
91	10.6	0.9	12.9	1.0	15.0	1.1	18.0	1.2	21.1	1.4	24.0	1.6	
95	10.6	0.9	12.9	1.0	15.0	1.1	18.0	1.3	21.1	1.5	24.0	1.7	
99	10.6	1.0	12.9	1.1	15.0	1.2	18.0	1.4	21.1	1.6	24.0	1.8	
102	10.6	1.0	12.9	1.2	15.0	1.3	18.0	1.5	21.1	1.8	24.0	2.0	
106	10.6	1.1	12.9	1.3	15.0	1.4	18.0	1.6	21.1	1.9	24.0	2.1	
109	10.6	1.2	12.9	1.3	15.0	1.5	18.0	1.7	21.1	2.0	24.0	2.3	
113	10.6	1.2	12.9	1.4	15.0	1.6	18.0	1.9	21.1	2.2	24.0	2.5	
118	10.6	1.4	12.9	1.6	15.0	1.8	18.0	2.1	21.1	2.5	24.0	2.8	
122	10.6	1.5	12.9	1.7	15.0	1.9	18.0	2.3	21.1	2.7	24.0	3.0	

NOTE - Power Input = Compressor + Outdoor Fan Motor.
 MBH = 1000 BTUs per hour.

HEATING CAPACITY

VPC036H4M-3PD

Combination (%)	Outdoor Temperature (°F)		Indoor Temperature - °F Dry Bulb											
			61		65		68		70		72		75	
	Dry Bulb	Wet Bulb	Total Cap.	Power Input	Total Cap.	Power Input	Total Cap.	Power Input	Total Cap.	Power Input	Total Cap.	Power Input	Total Cap.	Power Input
			MBH	kW	MBH	kW	MBH	kW	MBH	kW	MBH	kW	MBH	kW
130%	-13	-14	25.3	3.8	25.0	3.9	24.8	4.0	24.6	4.1	24.5	4.2	24.3	4.3
	-4	-4	30.3	4.1	30.0	4.2	29.8	4.3	29.6	4.4	29.5	4.5	29.2	4.6
	-2	-2	31.3	4.1	31.0	4.3	30.7	4.4	30.6	4.4	30.4	4.5	30.2	4.6
	6	5	35.3	4.3	34.9	4.5	34.7	4.6	34.5	4.6	34.3	4.7	34.0	4.8
	10	8	37.2	4.4	36.9	4.5	36.6	4.7	36.4	4.7	36.2	4.8	35.9	4.9
	13	12	39.4	4.5	39.0	4.6	38.7	4.8	38.5	4.8	38.3	4.9	38.0	5.0
	15	14	40.5	4.5	40.2	4.7	39.8	4.8	39.6	4.9	39.4	5.0	39.1	5.1
	17	15	41.4	4.6	41.0	4.7	40.7	4.9	40.5	4.9	40.3	5.0	40.0	5.1
	19	18	42.9	4.6	42.5	4.8	42.2	4.9	42.0	5.0	41.8	5.1	41.5	5.2
	22	19	43.3	4.4	42.9	4.6	42.6	4.7	42.4	4.8	42.2	4.8	41.9	5.0
	26	22	45.6	4.5	45.1	4.7	44.8	4.8	44.6	4.9	44.4	4.9	44.0	5.1
	30	26	47.7	4.6	47.3	4.7	46.9	4.9	46.7	4.9	46.5	5.0	46.2	5.1
	35	30	50.6	4.7	50.1	4.8	49.7	5.0	49.5	5.1	49.7	5.2	46.2	4.8
	39	34	52.8	4.8	52.3	4.9	51.9	5.1	52.0	5.1	49.7	4.9	46.2	4.5
	44	38	55.8	4.9	55.3	5.0	54.3	5.0	52.0	4.8	49.7	4.5	46.2	4.2
	47	43	58.9	5.0	57.8	5.0	54.3	4.6	52.0	4.4	49.7	4.2	46.2	3.8
	51	45	60.0	5.0	57.8	4.8	54.3	4.5	52.0	4.3	49.7	4.1	46.2	3.7
	54	47	62.4	5.1	57.8	4.6	54.3	4.3	52.0	4.1	49.7	3.9	46.2	3.6
	57	50	62.4	4.8	57.8	4.4	54.3	4.1	52.0	3.9	49.7	3.7	46.2	3.4
	60	53	62.4	4.6	57.8	4.2	54.3	3.9	52.0	3.7	49.7	3.5	46.2	3.2
	63	55	62.4	4.4	57.8	4.0	54.3	3.7	52.0	3.5	49.7	3.3	46.2	3.1
66	58	62.4	4.1	57.8	3.8	54.3	3.5	52.0	3.3	49.7	3.1	46.2	2.9	
69	61	62.4	3.9	57.8	3.6	54.3	3.3	52.0	3.1	49.7	3.0	46.2	2.8	
72	62	62.4	3.8	57.8	3.5	54.3	3.2	52.0	3.0	49.7	2.9	46.2	2.7	
75	64	62.4	3.6	57.8	3.3	54.3	3.0	52.0	2.9	49.7	2.8	46.2	2.6	
78	67	62.4	3.4	57.8	3.1	54.3	2.9	52.0	2.8	49.7	2.6	46.2	2.4	
81	69	62.4	3.2	57.8	2.9	54.3	2.7	52.0	2.6	49.7	2.5	46.2	2.3	
120%	-13	-14	25.1	3.8	24.9	4.0	24.7	4.1	24.5	4.2	24.4	4.2	24.2	4.3
	-4	-4	30.2	4.1	29.9	4.3	29.7	4.4	29.5	4.4	29.3	4.5	29.1	4.6
	-2	-2	31.2	4.2	30.9	4.3	30.6	4.4	30.4	4.5	30.3	4.6	30.1	4.7
	6	5	35.2	4.4	34.8	4.5	34.5	4.6	34.4	4.7	34.2	4.8	33.9	4.9
	10	8	37.1	4.5	36.8	4.6	36.5	4.7	36.3	4.8	36.1	4.9	35.8	5.0
	13	12	39.2	4.6	38.9	4.7	38.6	4.8	38.4	4.9	38.2	5.0	37.9	5.1
	15	14	40.4	4.6	40.0	4.8	39.7	4.9	39.5	5.0	39.3	5.0	39.0	5.2
	17	15	41.2	4.6	40.8	4.8	40.5	4.9	40.3	5.0	40.1	5.1	39.8	5.2
	19	18	42.7	4.7	42.3	4.9	42.0	5.0	41.8	5.1	41.5	5.2	41.2	5.3
	22	19	43.1	4.5	42.7	4.6	42.3	4.8	42.1	4.8	41.9	4.9	41.6	5.0
	26	22	45.3	4.6	44.9	4.7	44.5	4.9	44.3	4.9	44.1	5.0	42.6	4.9
	30	26	47.4	4.7	47.0	4.8	46.6	4.9	46.4	5.0	45.9	5.0	42.6	4.6
	35	30	50.2	4.8	49.8	4.9	50.1	5.1	48.0	4.9	45.9	4.7	42.6	4.3
	39	34	52.5	4.9	52.0	5.0	50.1	4.8	48.0	4.6	45.9	4.4	42.6	4.1
	44	38	55.4	5.0	53.4	4.8	50.1	4.5	48.0	4.3	45.9	4.1	42.6	3.8
	47	43	57.6	4.9	53.4	4.5	50.1	4.2	48.0	4.0	45.9	3.8	42.6	3.5
	51	45	57.6	4.7	53.4	4.3	50.1	4.0	48.0	3.8	45.9	3.6	42.6	3.3
	54	47	57.6	4.5	53.4	4.1	50.1	3.8	48.0	3.7	45.9	3.5	42.6	3.2
	57	50	57.6	4.3	53.4	3.9	50.1	3.6	48.0	3.5	45.9	3.3	42.6	3.1
	60	53	57.6	4.1	53.4	3.7	50.1	3.5	48.0	3.3	45.9	3.1	42.6	2.9
	63	55	57.6	3.9	53.4	3.5	50.1	3.3	48.0	3.1	45.9	3.0	42.6	2.8
66	58	57.6	3.7	53.4	3.3	50.1	3.1	48.0	3.0	45.9	2.8	42.6	2.6	
69	61	57.6	3.5	53.4	3.1	50.1	2.9	48.0	2.8	45.9	2.7	42.6	2.5	
72	62	57.6	3.3	53.4	3.0	50.1	2.9	48.0	2.7	45.9	2.6	42.6	2.4	
75	64	57.6	3.2	53.4	2.9	50.1	2.7	48.0	2.6	45.9	2.5	42.6	2.3	
78	67	57.6	3.0	53.4	2.8	50.1	2.6	48.0	2.5	45.9	2.4	42.6	2.2	
81	69	57.6	2.8	53.4	2.6	50.1	2.5	48.0	2.3	45.9	2.3	42.6	2.1	

NOTE - All Total Capacity and Power Input Data at 2°F Dry Bulb / 1°F Wet Bulb Outdoor Temperature is simulated at these operating conditions.

Recommended minimum heating operating temperature is -4°F.

Power Input = Compressor + Outdoor Fan Motor.

MBH = 1000 BTUs per hour.

HEATING CAPACITY

VPC036H4M-3PD

Combination (%)	Outdoor Temperature (°F)		Indoor Temperature - °F Dry Bulb											
			61		65		68		70		72		75	
			Total Cap.	Power Input	Total Cap.	Power Input	Total Cap.	Power Input	Total Cap.	Power Input	Total Cap.	Power Input	Total Cap.	Power Input
	Dry Bulb	Wet Bulb	MBH	kW	MBH	kW	MBH	kW	MBH	kW	MBH	kW	MBH	kW
110%	-13	-14	25.0	3.9	24.8	4.0	24.5	4.1	24.4	4.2	24.3	4.3	24.1	4.4
	-4	-4	30.1	4.2	29.8	4.3	29.5	4.4	29.4	4.5	29.2	4.6	29.0	4.7
	-2	-2	31.1	4.2	30.7	4.4	30.5	4.5	30.3	4.5	30.2	4.6	29.9	4.7
	6	5	35.0	4.4	34.7	4.6	34.4	4.7	34.2	4.8	34.1	4.8	33.8	5.0
	10	8	36.9	4.5	36.6	4.7	36.3	4.8	36.1	4.9	36.0	5.0	35.7	5.1
	13	12	39.0	4.6	38.6	4.8	38.3	4.9	38.1	5.0	37.9	5.1	37.6	5.2
	15	14	40.1	4.7	39.7	4.8	39.4	5.0	39.2	5.0	39.0	5.1	39.1	5.3
	17	15	40.9	4.7	40.5	4.9	40.2	5.0	40.0	5.1	39.8	5.2	39.1	5.1
	19	18	42.4	4.8	42.0	5.0	41.7	5.1	41.5	5.2	42.1	5.3	39.1	4.9
	22	19	42.8	4.6	42.4	4.7	42.1	4.8	41.8	4.9	42.1	5.0	39.1	4.7
	26	22	45.0	4.7	44.5	4.8	44.2	4.9	44.0	5.0	42.1	4.7	39.1	4.4
	30	26	47.1	4.8	46.6	4.9	45.9	4.9	44.0	4.7	42.1	4.5	39.1	4.1
	35	30	49.9	4.9	48.9	4.9	45.9	4.6	44.0	4.4	42.1	4.2	39.1	3.9
	39	34	52.8	5.0	48.9	4.6	45.9	4.3	44.0	4.1	42.1	3.9	39.1	3.6
	44	38	52.8	4.7	48.9	4.3	45.9	4.0	44.0	3.8	42.1	3.6	39.1	3.4
	47	43	52.8	4.3	48.9	4.0	45.9	3.7	44.0	3.5	42.1	3.3	39.1	3.1
	51	45	52.8	4.2	48.9	3.8	45.9	3.6	44.0	3.4	42.1	3.2	39.1	3.0
	54	47	52.8	4.0	48.9	3.7	45.9	3.4	44.0	3.2	42.1	3.1	39.1	2.9
	57	50	52.8	3.8	48.9	3.5	45.9	3.2	44.0	3.1	42.1	3.0	39.1	2.8
	60	53	52.8	3.6	48.9	3.3	45.9	3.1	44.0	2.9	42.1	2.8	39.1	2.6
	63	55	52.8	3.4	48.9	3.1	45.9	2.9	44.0	2.8	42.1	2.7	39.1	2.5
66	58	52.8	3.2	48.9	2.9	45.9	2.8	44.0	2.7	42.1	2.6	39.1	2.4	
69	61	52.8	3.0	48.9	2.8	45.9	2.6	44.0	2.5	42.1	2.4	39.1	2.3	
72	62	52.8	2.9	48.9	2.7	45.9	2.6	44.0	2.5	42.1	2.4	39.1	2.2	
75	64	52.8	2.8	48.9	2.6	45.9	2.5	44.0	2.4	42.1	2.3	39.1	2.1	
78	67	52.8	2.6	48.9	2.5	45.9	2.3	44.0	2.2	42.1	2.1	39.1	2.0	
81	69	52.8	2.5	48.9	2.3	45.9	2.2	44.0	2.1	42.1	2.0	39.1	1.9	
100%	-13	-14	24.9	3.9	24.7	4.1	24.4	4.2	24.3	4.2	24.2	4.3	24.0	4.4
	-4	-4	30.0	4.2	29.7	4.4	29.4	4.5	29.3	4.6	29.1	4.6	28.9	4.7
	-2	-2	30.9	4.3	30.6	4.4	30.4	4.5	30.2	4.6	30.1	4.7	29.8	4.8
	6	5	34.8	4.5	34.5	4.7	34.2	4.8	34.1	4.8	33.9	4.9	33.6	5.0
	10	8	36.7	4.6	36.3	4.8	36.1	4.9	35.9	5.0	35.7	5.0	35.5	5.1
	13	12	38.7	4.7	38.3	4.9	38.0	5.0	37.8	5.1	38.2	5.2	35.5	4.8
	15	14	39.8	4.8	39.4	4.9	39.1	5.1	38.9	5.1	38.2	5.1	35.5	4.7
	17	15	40.6	4.8	40.2	5.0	39.9	5.1	40.0	5.2	38.2	5.0	35.5	4.6
	19	18	42.1	4.9	41.7	5.1	41.8	5.2	40.0	5.0	38.2	4.8	35.5	4.4
	22	19	42.5	4.7	42.0	4.8	41.8	4.9	40.0	4.7	38.2	4.5	35.5	4.2
	26	22	44.6	4.8	44.5	4.9	41.8	4.6	40.0	4.4	38.2	4.2	35.5	3.9
	30	26	46.7	4.9	44.5	4.7	41.8	4.4	40.0	4.2	38.2	4.0	35.5	3.7
	35	30	48.0	4.7	44.5	4.3	41.8	4.1	40.0	3.9	38.2	3.7	35.5	3.4
	39	34	48.0	4.4	44.5	4.1	41.8	3.8	40.0	3.6	38.2	3.5	35.5	3.2
	44	38	48.0	4.1	44.5	3.8	41.8	3.5	40.0	3.4	38.2	3.2	35.5	3.0
	47	43	48.0	3.8	44.5	3.5	41.8	3.2	40.0	3.1	38.2	3.0	35.5	2.8
	51	45	48.0	3.6	44.5	3.4	41.8	3.1	40.0	3.0	38.2	2.9	35.5	2.7
	54	47	48.0	3.5	44.5	3.2	41.8	3.0	40.0	2.9	38.2	2.8	35.5	2.6
	57	50	48.0	3.3	44.5	3.0	41.8	2.9	40.0	2.8	38.2	2.6	35.5	2.5
	60	53	48.0	3.1	44.5	2.9	41.8	2.7	40.0	2.6	38.2	2.5	35.5	2.4
	63	55	48.0	2.9	44.5	2.8	41.8	2.6	40.0	2.5	38.2	2.4	35.5	2.3
66	58	48.0	2.8	44.5	2.6	41.8	2.5	40.0	2.4	38.2	2.3	35.5	2.1	
69	61	48.0	2.7	44.5	2.5	41.8	2.3	40.0	2.3	38.2	2.2	35.5	2.0	
72	62	48.0	2.6	44.5	2.4	41.8	2.3	40.0	2.2	38.2	2.1	35.5	2.0	
75	64	48.0	2.5	44.5	2.3	41.8	2.2	40.0	2.1	38.2	2.0	35.5	1.9	
78	67	48.0	2.3	44.5	2.2	41.8	2.1	40.0	2.0	38.2	1.9	35.5	1.8	
81	69	48.0	2.2	44.5	2.0	41.8	1.9	40.0	1.9	38.2	1.8	35.5	1.7	

NOTE - All Total Capacity and Power Input Data at 2°F Dry Bulb / 1°F Wet Bulb Outdoor Temperature is simulated at these operating conditions.

Recommended minimum heating operating temperature is -4°F.

Power Input = Compressor + Outdoor Fan Motor.

MBH = 1000 BTUs per hour.

HEATING CAPACITY

VPC036H4M-3PD

Combination (%)	Outdoor Temperature (°F)		Indoor Temperature - °F Dry Bulb											
			61		65		68		70		72		75	
	Dry Bulb	Wet Bulb	Total Cap.	Power Input	Total Cap.	Power Input	Total Cap.	Power Input	Total Cap.	Power Input	Total Cap.	Power Input	Total Cap.	Power Input
			MBH	kW	MBH	kW	MBH	kW	MBH	kW	MBH	kW	MBH	kW
90%	-13	-14	24.8	4.0	24.5	4.1	24.3	4.2	24.2	4.3	24.1	4.4	23.9	4.5
	-4	-4	29.8	4.3	29.5	4.5	29.3	4.6	29.2	4.6	29.0	4.7	28.8	4.8
	-2	-2	30.8	4.4	30.5	4.5	30.2	4.6	30.1	4.7	29.9	4.8	29.7	4.9
	6	5	34.5	4.6	34.2	4.8	34.0	4.9	33.8	4.9	33.6	5.0	32.0	4.8
	10	8	36.4	4.7	36.0	4.9	35.8	5.0	36.0	5.1	34.4	4.9	32.0	4.5
	13	12	38.4	4.8	38.0	5.0	37.6	5.0	36.0	4.8	34.4	4.6	32.0	4.3
	15	14	39.5	4.9	39.1	5.1	37.6	4.9	36.0	4.7	34.4	4.5	32.0	4.2
	17	15	40.3	4.9	40.0	5.1	37.6	4.8	36.0	4.6	34.4	4.4	32.0	4.1
	19	18	41.7	5.0	40.0	4.9	37.6	4.6	36.0	4.4	34.4	4.2	32.0	3.9
	22	19	42.1	4.8	40.0	4.6	37.6	4.3	36.0	4.1	34.4	3.9	32.0	3.7
	26	22	43.2	4.7	40.0	4.3	37.6	4.1	36.0	3.9	34.4	3.7	32.0	3.5
	30	26	43.2	4.4	40.0	4.1	37.6	3.8	36.0	3.7	34.4	3.5	32.0	3.3
	35	30	43.2	4.1	40.0	3.8	37.6	3.6	36.0	3.4	34.4	3.2	32.0	3.0
	39	34	43.2	3.8	40.0	3.6	37.6	3.3	36.0	3.2	34.4	3.1	32.0	2.9
	44	38	43.2	3.6	40.0	3.3	37.6	3.1	36.0	3.0	34.4	2.9	32.0	2.7
	47	43	43.2	3.3	40.0	3.0	37.6	2.8	36.0	2.7	34.4	2.6	32.0	2.4
	51	45	43.2	3.2	40.0	2.9	37.6	2.8	36.0	2.7	34.4	2.6	32.0	2.4
	54	47	43.2	3.0	40.0	2.8	37.6	2.7	36.0	2.6	34.4	2.5	32.0	2.3
	57	50	43.2	2.9	40.0	2.7	37.6	2.5	36.0	2.4	34.4	2.4	32.0	2.2
	60	53	43.2	2.7	40.0	2.5	37.6	2.4	36.0	2.3	34.4	2.2	32.0	2.1
	63	55	43.2	2.6	40.0	2.4	37.6	2.3	36.0	2.2	34.4	2.1	32.0	2.0
66	58	43.2	2.5	40.0	2.3	37.6	2.2	36.0	2.1	34.4	2.0	32.0	1.9	
69	61	43.2	2.3	40.0	2.2	37.6	2.1	36.0	2.0	34.4	1.9	32.0	1.8	
72	62	43.2	2.3	40.0	2.1	37.6	2.0	36.0	1.9	34.4	1.9	32.0	1.8	
75	64	43.2	2.2	40.0	2.0	37.6	1.9	36.0	1.9	34.4	1.8	32.0	1.7	
78	67	43.2	2.0	40.0	1.9	37.6	1.8	36.0	1.7	34.4	1.7	32.0	1.6	
81	69	43.2	1.9	40.0	1.8	37.6	1.7	36.0	1.6	34.4	1.6	32.0	1.5	
80%	-13	-14	24.7	4.1	24.4	4.2	24.2	4.3	24.1	4.4	24.0	4.5	23.8	4.6
	-4	-4	29.6	4.4	29.3	4.6	29.1	4.7	28.9	4.7	28.8	4.8	28.4	4.8
	-2	-2	30.5	4.5	30.2	4.6	30.0	4.7	29.8	4.8	29.7	4.9	28.4	4.7
	6	5	34.2	4.7	33.9	4.9	33.4	4.9	32.0	4.7	30.6	4.5	28.4	4.2
	10	8	36.0	4.8	35.6	4.9	33.4	4.6	32.0	4.4	30.6	4.3	28.4	4.0
	13	12	38.4	5.0	35.6	4.7	33.4	4.4	32.0	4.2	30.6	4.0	28.4	3.8
	15	14	38.4	4.9	35.6	4.5	33.4	4.2	32.0	4.1	30.6	3.9	28.4	3.6
	17	15	38.4	4.7	35.6	4.4	33.4	4.1	32.0	4.0	30.6	3.8	28.4	3.5
	19	18	38.4	4.6	35.6	4.2	33.4	4.0	32.0	3.8	30.6	3.7	28.4	3.4
	22	19	38.4	4.3	35.6	4.0	33.4	3.7	32.0	3.6	30.6	3.4	28.4	3.2
	26	22	38.4	4.0	35.6	3.7	33.4	3.5	32.0	3.4	30.6	3.2	28.4	3.0
	30	26	38.4	3.8	35.6	3.5	33.4	3.3	32.0	3.2	30.6	3.1	28.4	2.9
	35	30	38.4	3.5	35.6	3.3	33.4	3.1	32.0	3.0	30.6	2.9	28.4	2.7
	39	34	38.4	3.3	35.6	3.1	33.4	2.9	32.0	2.8	30.6	2.7	28.4	2.5
	44	38	38.4	3.0	35.6	2.9	33.4	2.7	32.0	2.6	30.6	2.5	28.4	2.4
	47	43	38.4	2.8	35.6	2.6	33.4	2.5	32.0	2.4	30.6	2.3	28.4	2.1
	51	45	38.4	2.7	35.6	2.6	33.4	2.4	32.0	2.4	30.6	2.3	28.4	2.1
	54	47	38.4	2.6	35.6	2.5	33.4	2.3	32.0	2.3	30.6	2.2	28.4	2.0
	57	50	38.4	2.5	35.6	2.3	33.4	2.2	32.0	2.1	30.6	2.1	28.4	1.9
	60	53	38.4	2.4	35.6	2.2	33.4	2.1	32.0	2.0	30.6	2.0	28.4	1.9
	63	55	38.4	2.2	35.6	2.1	33.4	2.0	32.0	1.9	30.6	1.9	28.4	1.8
66	58	38.4	2.1	35.6	2.0	33.4	1.9	32.0	1.8	30.6	1.8	28.4	1.7	
69	61	38.4	2.0	35.6	1.9	33.4	1.8	32.0	1.7	30.6	1.7	28.4	1.6	
72	62	38.4	2.0	35.6	1.8	33.4	1.7	32.0	1.7	30.6	1.6	28.4	1.5	
75	64	38.4	1.9	35.6	1.8	33.4	1.7	32.0	1.6	30.6	1.6	28.4	1.5	
78	67	38.4	1.8	35.6	1.7	33.4	1.6	32.0	1.5	30.6	1.5	28.4	1.4	
81	69	38.4	1.6	35.6	1.6	33.4	1.5	32.0	1.4	30.6	1.4	28.4	1.3	

NOTE - All Total Capacity and Power Input Data at 2°F Dry Bulb / 1°F Wet Bulb Outdoor Temperature is simulated at these operating conditions.

Recommended minimum heating operating temperature is -4°F.

Power Input = Compressor + Outdoor Fan Motor.

MBH = 1000 BTUs per hour.

HEATING CAPACITY

VPC036H4M-3PD

Combination (%)	Outdoor Temperature (°F)		Indoor Temperature - °F Dry Bulb											
			61		65		68		70		72		75	
			Total Cap.	Power Input	Total Cap.	Power Input	Total Cap.	Power Input	Total Cap.	Power Input	Total Cap.	Power Input	Total Cap.	Power Input
	Dry Bulb	Wet Bulb	MBH	kW	MBH	kW	MBH	kW	MBH	kW	MBH	kW	MBH	kW
70%	-13	-14	24.5	4.2	24.3	4.3	24.1	4.4	24.0	4.5	23.9	4.6	23.7	4.7
	-4	-4	29.3	4.5	29.0	4.7	29.2	4.9	28.0	4.7	26.8	4.5	24.9	4.2
	-2	-2	30.2	4.6	29.9	4.7	29.2	4.7	28.0	4.5	26.8	4.4	24.9	4.1
	6	5	33.6	4.8	31.1	4.5	29.2	4.2	28.0	4.0	26.8	3.9	24.9	3.6
	10	8	33.6	4.5	31.1	4.2	29.2	4.0	28.0	3.8	26.8	3.7	24.9	3.4
	13	12	33.6	4.3	31.1	4.0	29.2	3.8	28.0	3.6	26.8	3.5	24.9	3.2
	15	14	33.6	4.1	31.1	3.9	29.2	3.6	28.0	3.5	26.8	3.3	24.9	3.1
	17	15	33.6	4.0	31.1	3.8	29.2	3.5	28.0	3.4	26.8	3.3	24.9	3.1
	19	18	33.6	3.9	31.1	3.6	29.2	3.4	28.0	3.3	26.8	3.2	24.9	3.0
	22	19	33.6	3.6	31.1	3.4	29.2	3.2	28.0	3.1	26.8	3.0	24.9	2.8
	26	22	33.6	3.4	31.1	3.2	29.2	3.0	28.0	2.9	26.8	2.8	24.9	2.6
	30	26	33.6	3.2	31.1	3.0	29.2	2.9	28.0	2.8	26.8	2.7	24.9	2.5
	35	30	33.6	3.0	31.1	2.8	29.2	2.7	28.0	2.6	26.8	2.5	24.9	2.3
	39	34	33.6	2.8	31.1	2.7	29.2	2.5	28.0	2.4	26.8	2.4	24.9	2.2
	44	38	33.6	2.6	31.1	2.5	29.2	2.4	28.0	2.3	26.8	2.2	24.9	2.0
	47	43	33.6	2.4	31.1	2.2	29.2	2.1	28.0	2.0	26.8	2.0	24.9	1.9
	51	45	33.6	2.4	31.1	2.2	29.2	2.1	28.0	2.0	26.8	1.9	24.9	1.8
	54	47	33.6	2.2	31.1	2.1	29.2	2.0	28.0	1.9	26.8	1.8	24.9	1.7
	57	50	33.6	2.1	31.1	2.0	29.2	1.9	28.0	1.8	26.8	1.8	24.9	1.6
	60	53	33.6	2.0	31.1	1.9	29.2	1.8	28.0	1.8	26.8	1.7	24.9	1.6
	63	55	33.6	1.9	31.1	1.8	29.2	1.7	28.0	1.7	26.8	1.6	24.9	1.5
66	58	33.6	1.8	31.1	1.7	29.2	1.6	28.0	1.6	26.8	1.5	24.9	1.5	
69	61	33.6	1.7	31.1	1.6	29.2	1.6	28.0	1.5	26.8	1.5	24.9	1.4	
72	62	33.6	1.7	31.1	1.6	29.2	1.5	28.0	1.5	26.8	1.4	24.9	1.3	
75	64	33.6	1.6	31.1	1.5	29.2	1.4	28.0	1.4	26.8	1.4	24.9	1.3	
78	67	33.6	1.5	31.1	1.4	29.2	1.4	28.0	1.3	26.8	1.3	24.9	1.2	
81	69	33.6	1.4	31.1	1.3	29.2	1.3	28.0	1.2	26.8	1.2	24.9	1.1	
60%	-13	-14	24.2	4.3	24.0	4.4	23.8	4.6	24.0	4.7	22.9	4.5	21.3	4.2
	-4	-4	28.8	4.6	26.7	4.3	25.1	4.1	24.0	3.9	22.9	3.8	21.3	3.5
	-2	-2	28.8	4.5	26.7	4.2	25.1	4.0	24.0	3.8	22.9	3.7	21.3	3.4
	6	5	28.8	4.0	26.7	3.7	25.1	3.5	24.0	3.4	22.9	3.3	21.3	3.1
	10	8	28.8	3.8	26.7	3.5	25.1	3.3	24.0	3.2	22.9	3.1	21.3	2.9
	13	12	28.8	3.6	26.7	3.3	25.1	3.2	24.0	3.1	22.9	2.9	21.3	2.8
	15	14	28.8	3.5	26.7	3.2	25.1	3.1	24.0	3.0	22.9	2.9	21.3	2.7
	17	15	28.8	3.4	26.7	3.2	25.1	3.0	24.0	2.9	22.9	2.8	21.3	2.6
	19	18	28.8	3.2	26.7	3.0	25.1	2.9	24.0	2.8	22.9	2.7	21.3	2.5
	22	19	28.8	3.0	26.7	2.9	25.1	2.7	24.0	2.6	22.9	2.5	21.3	2.4
	26	22	28.8	2.9	26.7	2.7	25.1	2.6	24.0	2.5	22.9	2.4	21.3	2.3
	30	26	28.8	2.7	26.7	2.6	25.1	2.4	24.0	2.4	22.9	2.3	21.3	2.2
	35	30	28.8	2.5	26.7	2.4	25.1	2.3	24.0	2.2	22.9	2.1	21.3	2.0
	39	34	28.8	2.4	26.7	2.3	25.1	2.2	24.0	2.1	22.9	2.0	21.3	1.9
	44	38	28.8	2.2	26.7	2.1	25.1	2.0	24.0	1.9	22.9	1.8	21.3	1.7
	47	43	28.8	2.0	26.7	1.9	25.1	1.8	24.0	1.7	22.9	1.7	21.3	1.6
	51	45	28.8	2.0	26.7	1.8	25.1	1.7	24.0	1.7	22.9	1.6	21.3	1.5
	54	47	28.8	1.9	26.7	1.8	25.1	1.6	24.0	1.6	22.9	1.5	21.3	1.4
	57	50	28.8	1.8	26.7	1.7	25.1	1.6	24.0	1.5	22.9	1.5	21.3	1.4
	60	53	28.8	1.7	26.7	1.6	25.1	1.5	24.0	1.5	22.9	1.4	21.3	1.3
	63	55	28.8	1.6	26.7	1.5	25.1	1.5	24.0	1.4	22.9	1.3	21.3	1.2
66	58	28.8	1.5	26.7	1.5	25.1	1.4	24.0	1.4	22.9	1.3	21.3	1.2	
69	61	28.8	1.5	26.7	1.4	25.1	1.3	24.0	1.3	22.9	1.2	21.3	1.1	
72	62	28.8	1.4	26.7	1.3	25.1	1.3	24.0	1.2	22.9	1.2	21.3	1.1	
75	64	28.8	1.3	26.7	1.3	25.1	1.2	24.0	1.2	22.9	1.2	21.3	1.1	
78	67	28.8	1.3	26.7	1.2	25.1	1.2	24.0	1.1	22.9	1.1	21.3	1.0	
81	69	28.8	1.2	26.7	1.1	25.1	1.1	24.0	1.0	22.9	1.0	21.3	1.0	

NOTE - All Total Capacity and Power Input Data at 2°F Dry Bulb / 1°F Wet Bulb Outdoor Temperature is simulated at these operating conditions.

Recommended minimum heating operating temperature is -4°F.

Power Input = Compressor + Outdoor Fan Motor.

MBH = 1000 BTUs per hour.

HEATING CAPACITY

VPC036H4M-3PD

Combination (%)	Outdoor Temperature (°F)		Indoor Temperature - °F Dry Bulb											
			61		65		68		70		72		75	
	Dry Bulb	Wet Bulb	Total Cap.	Power Input	Total Cap.	Power Input	Total Cap.	Power Input	Total Cap.	Power Input	Total Cap.	Power Input	Total Cap.	Power Input
			MBH	kW	MBH	kW	MBH	kW	MBH	kW	MBH	kW	MBH	kW
50%	-13	-14	24.0	4.5	22.2	4.2	20.9	4.0	20.0	3.9	19.1	3.7	17.8	3.5
	-4	-4	24.0	3.8	22.2	3.6	20.9	3.4	20.0	3.2	19.1	3.1	17.8	2.9
	-2	-2	24.0	3.7	22.2	3.4	20.9	3.3	20.0	3.1	19.1	3.0	17.8	2.9
	6	5	24.0	3.3	22.2	3.1	20.9	2.9	20.0	2.8	19.1	2.7	17.8	2.6
	10	8	24.0	3.1	22.2	2.9	20.9	2.8	20.0	2.7	19.1	2.6	17.8	2.4
	13	12	24.0	2.9	22.2	2.8	20.9	2.6	20.0	2.5	19.1	2.5	17.8	2.3
	15	14	24.0	2.8	22.2	2.7	20.9	2.6	20.0	2.5	19.1	2.4	17.8	2.3
	17	15	24.0	2.8	22.2	2.6	20.9	2.5	20.0	2.4	19.1	2.3	17.8	2.2
	19	18	24.0	2.7	22.2	2.5	20.9	2.4	20.0	2.3	19.1	2.3	17.8	2.1
	22	19	24.0	2.5	22.2	2.4	20.9	2.3	20.0	2.2	19.1	2.1	17.8	2.0
	26	22	24.0	2.4	22.2	2.3	20.9	2.1	20.0	2.1	19.1	2.0	17.8	1.9
	30	26	24.0	2.3	22.2	2.1	20.9	2.0	20.0	2.0	19.1	1.9	17.8	1.8
	35	30	24.0	2.1	22.2	2.0	20.9	1.9	20.0	1.8	19.1	1.8	17.8	1.7
	39	34	24.0	2.0	22.2	1.9	20.9	1.8	20.0	1.7	19.1	1.7	17.8	1.6
	44	38	24.0	1.8	22.2	1.7	20.9	1.6	20.0	1.6	19.1	1.5	17.8	1.4
	47	43	24.0	1.6	22.2	1.5	20.9	1.5	20.0	1.4	19.1	1.4	17.8	1.3
	51	45	24.0	1.6	22.2	1.5	20.9	1.4	20.0	1.4	19.1	1.3	17.8	1.2
	54	47	24.0	1.5	22.2	1.4	20.9	1.3	20.0	1.3	19.1	1.2	17.8	1.2
	57	50	24.0	1.4	22.2	1.3	20.9	1.3	20.0	1.2	19.1	1.2	17.8	1.1
	60	53	24.0	1.4	22.2	1.3	20.9	1.2	20.0	1.2	19.1	1.1	17.8	1.0
63	55	24.0	1.3	22.2	1.2	20.9	1.1	20.0	1.1	19.1	1.1	17.8	1.0	
66	58	24.0	1.3	22.2	1.2	20.9	1.1	20.0	1.0	19.1	1.0	17.8	0.9	
69	61	24.0	1.2	22.2	1.1	20.9	1.0	20.0	1.0	19.1	1.0	17.8	0.9	
72	62	24.0	1.2	22.2	1.1	20.9	1.1	20.0	1.0	19.1	1.0	17.8	1.0	
75	64	24.0	1.1	22.2	1.1	20.9	1.0	20.0	1.0	19.1	1.0	17.8	0.9	
78	67	24.0	1.0	22.2	1.0	20.9	1.0	20.0	1.0	19.1	1.0	17.8	0.9	
81	69	24.0	1.0	22.2	0.9	20.9	0.9	20.0	0.9	19.1	0.8	17.8	0.8	

NOTE - All Total Capacity and Power Input Data at 2°F Dry Bulb / 1°F Wet Bulb Outdoor Temperature is simulated at these operating conditions.

Recommended minimum heating operating temperature is -4°F.

Power Input = Compressor + Outdoor Fan Motor.

MBH = 1000 BTUs per hour.

COOLING CAPACITY

VPC048H4M-3P

Combination (%)	Outdoor Temperature °F (Dry Bulb)	Indoor Temperature - °F (Dry Bulb / Wet Bulb)											
		67 / 57		71 / 60		75 / 63		80 / 67		85 / 71		90 / 75	
		Total Cap. MBH	Power Input kW	Total Cap. MBH	Power Input kW	Total Cap. MBH	Power Input kW	Total Cap. MBH	Power Input kW	Total Cap. MBH	Power Input kW	Total Cap. MBH	Power Input kW
130%	5	36.8	1.0	44.7	1.5	52.2	1.7	62.4	2.1	73.1	2.6	79.1	2.9
	10	36.8	1.2	44.7	1.5	52.2	1.7	62.4	2.1	73.1	2.6	79.1	2.9
	14	36.8	1.2	44.7	1.5	52.2	1.7	62.4	2.1	73.1	2.7	79.1	2.9
	18	36.8	1.2	44.7	1.5	52.2	1.7	62.4	2.1	73.1	2.7	79.1	3.1
	23	36.8	1.2	44.7	1.5	52.2	1.7	62.4	2.2	73.1	2.8	78.6	3.2
	28	36.8	1.2	44.7	1.5	52.2	1.8	62.4	2.2	73.1	2.9	79.0	3.2
	32	36.8	1.2	44.7	1.5	52.2	1.8	62.4	2.2	73.1	2.9	78.5	3.3
	36	36.8	1.2	44.7	1.5	52.2	1.8	62.4	2.2	73.1	3.0	78.6	3.3
	39	36.8	1.3	44.7	1.5	52.2	1.9	62.4	2.3	73.1	3.1	78.6	3.3
	43	36.8	1.3	44.7	1.6	52.2	1.9	62.4	2.3	73.1	3.2	77.6	3.5
	46	36.8	1.3	44.7	1.6	52.2	1.9	62.4	2.5	73.1	3.5	76.8	3.7
	50	36.8	1.3	44.7	1.7	52.2	2.0	62.4	2.6	73.1	3.8	75.9	3.9
	54	36.8	1.3	44.7	1.7	52.2	2.1	62.4	2.9	71.5	4.0	75.0	4.1
	57	36.8	1.4	44.7	1.8	52.2	2.2	62.4	3.1	70.6	4.2	74.1	4.3
	61	36.8	1.5	44.7	1.9	52.2	2.4	62.4	3.4	69.8	4.4	73.1	4.5
	64	36.8	1.6	44.7	2.1	52.2	2.7	62.4	3.7	68.8	4.6	72.0	4.6
	68	36.8	1.8	44.7	2.3	52.2	2.9	62.4	4.1	67.9	4.8	70.9	4.8
	70	36.8	1.8	44.7	2.4	52.2	3.0	62.4	4.2	67.2	4.8	70.4	4.9
	73	36.8	2.0	44.7	2.6	52.2	3.3	62.4	4.6	66.4	5.0	69.5	5.1
	77	36.8	2.1	44.7	2.8	52.2	3.5	62.4	5.0	65.2	5.2	68.3	5.3
	81	36.8	2.3	44.7	3.0	52.2	3.8	62.4	5.4	64.1	5.4	67.2	5.5
84	36.8	2.5	44.7	3.3	52.2	4.1	60.2	5.5	63.1	5.6	66.2	5.7	
88	36.8	2.7	44.7	3.5	52.2	4.5	59.1	5.7	62.0	5.8	65.0	5.9	
91	36.8	2.9	44.7	3.8	52.2	4.9	58.2	5.9	60.8	6.0	63.9	6.2	
95	36.8	3.1	44.7	4.1	52.2	5.3	57.1	6.1	59.8	6.3	62.7	6.4	
99	36.8	3.4	44.7	4.4	52.2	5.7	55.9	6.4	58.5	6.5	61.2	6.6	
102	36.8	3.6	44.7	4.7	52.2	6.3	54.5	6.5	56.8	6.5	59.4	6.5	
106	36.8	3.9	44.7	5.2	50.3	6.5	52.8	6.5	54.9	6.5	57.1	6.4	
109	36.8	4.2	44.7	5.6	48.6	6.5	50.3	6.3	51.4	5.9	52.5	5.4	
113	36.8	4.6	44.7	6.2	44.8	5.8	45.9	5.4	47.2	5.2	47.9	4.8	
118	36.8	5.2	36.9	4.8	37.6	4.6	38.1	4.3	38.8	4.0	40.7	4.0	
122	31.3	4.3	31.9	4.1	32.7	4.0	32.7	3.6	33.6	3.4	33.8	3.1	
120%	5	34.0	1.0	41.3	1.4	48.1	1.6	57.6	2.0	67.5	2.4	76.9	2.8
	10	34.0	1.0	41.3	1.4	48.1	1.6	57.6	2.0	67.5	2.4	76.9	2.8
	14	34.0	1.0	41.3	1.4	48.1	1.6	57.6	2.0	67.5	2.4	76.9	2.8
	18	34.0	1.0	41.3	1.4	48.1	1.6	57.6	2.0	67.5	2.4	76.9	2.8
	23	34.0	1.1	41.3	1.4	48.1	1.6	57.6	2.0	67.5	2.4	76.9	3.0
	28	34.0	1.1	41.3	1.4	48.1	1.6	57.6	2.0	67.5	2.4	76.9	3.1
	32	34.0	1.1	41.3	1.4	48.1	1.7	57.6	2.0	67.5	2.5	76.9	3.1
	36	34.0	1.1	41.3	1.4	48.1	1.7	57.6	2.0	67.5	2.6	76.9	3.1
	39	34.0	1.1	41.3	1.4	48.1	1.6	57.6	2.0	67.5	2.6	76.9	3.3
	43	34.0	1.2	41.3	1.4	48.1	1.7	57.6	2.1	67.5	2.7	76.9	3.5
	46	34.0	1.2	41.3	1.5	48.1	1.7	57.6	2.2	67.5	2.8	75.0	3.7
	50	34.0	1.2	41.3	1.5	48.1	1.8	57.6	2.2	67.5	3.1	74.3	3.9
	54	34.0	1.2	41.3	1.5	48.1	1.8	57.6	2.4	67.5	3.4	73.4	4.1
	57	34.0	1.2	41.3	1.6	48.1	1.9	57.6	2.6	67.5	3.7	72.6	4.2
	61	34.0	1.3	41.3	1.7	48.1	2.1	57.6	2.9	67.5	4.0	71.5	4.4
	64	34.0	1.4	41.3	1.9	48.1	2.3	57.6	3.1	67.5	4.4	70.5	4.6
	68	34.0	1.6	41.3	2.0	48.1	2.5	57.6	3.4	67.5	4.7	69.6	4.8
	70	34.0	1.6	41.3	2.1	48.1	2.6	57.6	3.5	66.0	4.8	69.0	4.9
	73	34.0	1.8	41.3	2.3	48.1	2.8	57.6	3.8	65.0	5.0	68.1	5.1
	77	34.0	1.9	41.3	2.5	48.1	3.1	57.6	4.2	63.9	5.2	67.0	5.3
	81	34.0	2.1	41.3	2.7	48.1	3.3	57.6	4.5	63.0	5.4	65.9	5.5
84	34.0	2.2	41.3	2.9	48.1	3.6	57.6	4.9	62.0	5.6	64.8	5.7	
88	34.0	2.4	41.3	3.1	48.1	3.9	57.6	5.3	60.9	5.8	63.7	5.9	
91	34.0	2.6	41.3	3.3	48.1	4.1	57.6	5.8	59.7	6.0	62.5	6.1	
95	34.0	2.8	41.3	3.6	48.1	4.5	56.0	6.1	58.6	6.2	61.5	6.3	
99	34.0	3.0	41.3	3.9	48.1	4.9	54.9	6.3	57.5	6.4	60.1	6.5	
102	34.0	3.2	41.3	4.2	48.1	5.3	53.6	6.5	56.0	6.5	58.4	6.5	
106	34.0	3.5	41.3	4.5	48.1	5.8	51.9	6.5	54.3	6.5	56.8	6.6	
109	34.0	3.8	41.3	4.9	48.1	6.4	50.0	6.4	51.1	6.0	52.1	5.5	
113	34.0	4.1	41.3	5.3	44.5	5.9	45.6	5.5	46.8	5.2	47.7	4.9	
118	34.0	4.6	36.6	4.9	37.5	4.7	38.1	4.4	38.8	4.1	39.5	3.8	
122	31.1	4.3	31.5	4.1	32.8	4.0	32.8	3.7	33.1	3.4	35.3	3.4	

NOTE - Power Input = Compressor + Outdoor Fan Motor.
 MBH = 1000 BTUs per hour.

COOLING CAPACITY

VPC048H4M-3P

Combination (%)	Outdoor Temperature °F (Dry Bulb)	Indoor Temperature - °F (Dry Bulb / Wet Bulb)											
		67 / 57		71 / 60		75 / 63		80 / 67		85 / 71		90 / 75	
		Total Cap. MBH	Power Input kW	Total Cap. MBH	Power Input kW	Total Cap. MBH	Power Input kW	Total Cap. MBH	Power Input kW	Total Cap. MBH	Power Input kW	Total Cap. MBH	Power Input kW
110%	5	31.1	0.9	37.8	1.3	44.1	1.4	52.8	1.8	61.9	2.2	70.5	2.6
	10	31.1	0.9	37.8	1.3	44.1	1.4	52.8	1.8	61.9	2.2	70.5	2.6
	14	31.1	0.9	37.8	1.3	44.1	1.4	52.8	1.8	61.9	2.2	70.5	2.6
	18	31.1	0.9	37.8	1.3	44.1	1.4	52.8	1.8	61.9	2.2	70.5	2.6
	23	31.1	1.0	37.8	1.3	44.1	1.4	52.8	1.8	61.9	2.2	70.5	2.6
	28	31.1	1.0	37.8	1.3	44.1	1.4	52.8	1.8	61.9	2.2	70.5	2.6
	32	31.1	1.0	37.8	1.3	44.1	1.4	52.8	1.8	61.9	2.2	70.5	2.6
	36	31.1	1.0	37.8	1.3	44.1	1.4	52.8	1.8	61.9	2.2	70.5	2.7
	39	31.1	1.0	37.8	1.3	44.1	1.5	52.8	1.8	61.9	2.2	70.5	2.7
	43	31.1	1.1	37.8	1.3	44.1	1.5	52.8	1.8	61.9	2.3	70.5	2.8
	46	31.1	1.1	37.8	1.3	44.1	1.5	52.8	1.9	61.9	2.4	70.5	3.0
	50	31.1	1.1	37.8	1.3	44.1	1.5	52.8	2.0	61.9	2.5	70.5	3.3
	54	31.1	1.1	37.8	1.4	44.1	1.6	52.8	2.0	61.9	2.7	70.5	3.7
	57	31.1	1.1	37.8	1.4	44.1	1.7	52.8	2.2	61.9	3.0	70.5	4.0
	61	31.1	1.2	37.8	1.5	44.1	1.8	52.8	2.4	61.9	3.3	70.5	4.4
	64	31.1	1.3	37.8	1.6	44.1	2.0	52.8	2.6	61.9	3.6	68.9	4.6
	68	31.1	1.4	37.8	1.8	44.1	2.2	52.8	2.9	61.9	3.9	67.9	4.8
	70	31.1	1.4	37.8	1.8	44.1	2.3	52.8	3.0	61.9	4.1	67.6	4.8
	73	31.1	1.6	37.8	2.0	44.1	2.5	52.8	3.2	61.9	4.4	66.5	5.0
	77	31.1	1.7	37.8	2.2	44.1	2.7	52.8	3.5	61.9	4.8	65.5	5.2
	81	31.1	1.8	37.8	2.3	44.1	2.9	52.8	3.8	61.9	5.2	64.4	5.4
	84	31.1	2.0	37.8	2.5	44.1	3.1	52.8	4.1	60.5	5.5	63.5	5.6
88	31.1	2.1	37.8	2.7	44.1	3.3	52.8	4.5	59.5	5.7	62.4	5.8	
91	31.1	2.3	37.8	2.9	44.1	3.6	52.8	4.8	58.5	5.9	61.3	6.0	
95	31.1	2.5	37.8	3.2	44.1	3.9	52.8	5.3	57.4	6.1	60.1	6.3	
99	31.1	2.7	37.8	3.4	44.1	4.2	52.8	5.7	56.4	6.4	59.0	6.5	
102	31.1	2.9	37.8	3.7	44.1	4.5	52.8	6.3	54.9	6.5	57.3	6.5	
106	31.1	3.1	37.8	4.0	44.1	4.9	51.0	6.5	53.1	6.5	55.7	6.5	
109	31.1	3.3	37.8	4.3	44.1	5.4	49.4	6.5	50.6	6.2	51.8	5.8	
113	31.1	3.6	37.8	4.6	44.1	5.9	45.1	5.6	46.3	5.3	46.7	4.9	
118	31.1	4.1	36.5	5.0	37.1	4.7	37.8	4.5	38.6	4.2	39.4	3.9	
122	31.1	4.4	31.5	4.2	32.2	4.0	32.8	3.8	33.2	3.5	34.7	3.4	
100%	5	28.3	0.8	34.4	1.0	40.1	1.3	48.0	1.6	56.2	1.8	64.1	2.2
	10	28.3	0.8	34.4	1.0	40.1	1.3	48.0	1.6	56.2	1.8	64.1	2.2
	14	28.3	0.8	34.4	1.0	40.1	1.3	48.0	1.6	56.2	1.8	64.1	2.2
	18	28.3	0.8	34.4	1.1	40.1	1.3	48.0	1.6	56.2	1.8	64.1	2.2
	23	28.3	0.8	34.4	1.1	40.1	1.3	48.0	1.6	56.2	1.8	64.1	2.3
	28	28.3	1.0	34.4	1.1	40.1	1.3	48.0	1.6	56.2	1.8	64.1	2.3
	32	28.3	1.0	34.4	1.1	40.1	1.3	48.0	1.6	56.2	1.9	64.1	2.3
	36	28.3	1.0	34.4	1.1	40.1	1.3	48.0	1.6	56.2	1.9	64.1	2.3
	39	28.3	1.0	34.4	1.1	40.1	1.3	48.0	1.6	56.2	2.0	64.1	2.3
	43	28.3	1.0	34.4	1.2	40.1	1.3	48.0	1.6	56.2	2.0	64.1	2.4
	46	28.3	1.0	34.4	1.2	40.1	1.3	48.0	1.6	56.2	2.1	64.1	2.4
	50	28.3	1.0	34.4	1.2	40.1	1.4	48.0	1.7	56.2	2.1	64.1	2.6
	54	28.3	1.0	34.4	1.2	40.1	1.4	48.0	1.8	56.2	2.2	64.1	2.9
	57	28.3	1.0	34.4	1.2	40.1	1.5	48.0	1.9	56.2	2.5	64.1	3.1
	61	28.3	1.0	34.4	1.3	40.1	1.6	48.0	2.0	56.2	2.7	64.1	3.4
	64	28.3	1.1	34.4	1.4	40.1	1.7	48.0	2.2	56.2	2.9	64.1	3.7
	68	28.3	1.2	34.4	1.5	40.1	1.9	48.0	2.4	56.2	3.2	64.1	4.1
	70	28.3	1.3	34.4	1.6	40.1	2.0	48.0	2.5	56.2	3.3	64.1	4.3
	73	28.3	1.4	34.4	1.7	40.1	2.1	48.0	2.8	56.2	3.6	64.1	4.6
	77	28.3	1.5	34.4	1.9	40.1	2.3	48.0	3.0	56.2	3.9	64.1	5.0
	81	28.3	1.6	34.4	2.0	40.1	2.5	48.0	3.2	56.2	4.2	62.8	5.4
	84	28.3	1.8	34.4	2.2	40.1	2.7	48.0	3.5	56.2	4.6	61.7	5.6
88	28.3	1.9	34.4	2.4	40.1	2.9	48.0	3.7	56.2	5.0	60.8	5.8	
91	28.3	2.0	34.4	2.6	40.1	3.1	48.0	4.0	56.2	5.4	59.9	6.0	
95	28.3	2.2	34.4	2.8	40.1	3.4	48.0	4.4	56.2	5.9	58.7	6.2	
99	28.3	2.4	34.4	3.0	40.1	3.6	48.0	4.7	55.0	6.3	57.7	6.4	
102	28.3	2.5	34.4	3.2	40.1	3.9	48.0	5.1	53.8	6.5	56.1	6.5	
106	28.3	2.7	34.4	3.5	40.1	4.2	48.0	5.6	52.1	6.5	54.5	6.5	
109	28.3	2.9	34.4	3.7	40.1	4.6	48.0	6.2	50.2	6.4	51.2	5.9	
113	28.3	3.2	34.4	4.0	40.1	5.0	44.8	5.8	45.6	5.4	46.4	5.1	
118	28.3	3.6	34.4	4.5	36.8	4.8	37.5	4.5	38.3	4.3	39.1	4.0	
122	28.3	3.9	31.4	4.3	31.9	4.1	32.8	3.9	33.2	3.6	33.5	3.3	

NOTE - Power Input = Compressor + Outdoor Fan Motor.
MBH = 1000 BTUs per hour.

COOLING CAPACITY

VPC048H4M-3P

Combination (%)	Outdoor Temperature °F (Dry Bulb)	Indoor Temperature - °F (Dry Bulb / Wet Bulb)											
		67 / 57		71 / 60		75 / 63		80 / 67		85 / 71		90 / 75	
		Total Cap. MBH	Power Input kW	Total Cap. MBH	Power Input kW	Total Cap. MBH	Power Input kW	Total Cap. MBH	Power Input kW	Total Cap. MBH	Power Input kW	Total Cap. MBH	Power Input kW
90%	5	25.5	0.7	30.9	0.9	36.1	1.0	43.2	1.3	50.6	1.6	57.7	1.9
	10	25.5	0.7	30.9	0.9	36.1	1.0	43.2	1.3	50.6	1.6	57.7	1.9
	14	25.5	0.7	30.9	0.9	36.1	1.2	43.2	1.3	50.6	1.6	57.7	1.9
	18	25.5	0.7	30.9	0.9	36.1	1.2	43.2	1.3	50.6	1.6	57.7	1.9
	23	25.5	0.7	30.9	1.0	36.1	1.2	43.2	1.3	50.6	1.6	57.7	1.9
	28	25.5	0.7	30.9	1.0	36.1	1.2	43.2	1.3	50.6	1.6	57.7	1.9
	32	25.5	0.8	30.9	1.0	36.1	1.2	43.2	1.3	50.6	1.6	57.7	2.0
	36	25.5	0.8	30.9	1.0	36.1	1.2	43.2	1.3	50.6	1.7	57.7	2.0
	39	25.5	0.8	30.9	1.0	36.1	1.2	43.2	1.4	50.6	1.7	57.7	2.0
	43	25.5	0.8	30.9	1.0	36.1	1.2	43.2	1.4	50.6	1.7	57.7	2.0
	46	25.5	0.9	30.9	1.0	36.1	1.2	43.2	1.4	50.6	1.8	57.7	2.0
	50	25.5	0.9	30.9	1.0	36.1	1.2	43.2	1.5	50.6	1.8	57.7	2.1
	54	25.5	0.9	30.9	1.0	36.1	1.2	43.2	1.5	50.6	1.9	57.7	2.3
	57	25.5	0.9	30.9	1.1	36.1	1.3	43.2	1.6	50.6	2.0	57.7	2.5
	61	25.5	0.9	30.9	1.1	36.1	1.3	43.2	1.7	50.6	2.2	57.7	2.7
	64	25.5	0.9	30.9	1.2	36.1	1.5	43.2	1.9	50.6	2.4	57.7	3.0
	68	25.5	1.0	30.9	1.3	36.1	1.6	43.2	2.0	50.6	2.6	57.7	3.2
	70	25.5	1.1	30.9	1.4	36.1	1.7	43.2	2.1	50.6	2.7	57.7	3.4
	73	25.5	1.2	30.9	1.5	36.1	1.8	43.2	2.3	50.6	3.0	57.7	3.7
	77	25.5	1.3	30.9	1.6	36.1	2.0	43.2	2.5	50.6	3.2	57.7	4.0
	81	25.5	1.4	30.9	1.8	36.1	2.1	43.2	2.7	50.6	3.5	57.7	4.3
84	25.5	1.5	30.9	1.9	36.1	2.3	43.2	2.9	50.6	3.7	57.7	4.7	
88	25.5	1.7	30.9	2.1	36.1	2.5	43.2	3.2	50.6	4.0	57.7	5.1	
91	25.5	1.8	30.9	2.2	36.1	2.7	43.2	3.4	50.6	4.4	57.7	5.6	
95	25.5	1.9	30.9	2.4	36.1	2.9	43.2	3.7	50.6	4.7	57.7	6.1	
99	25.5	2.1	30.9	2.6	36.1	3.1	43.2	4.0	50.6	5.1	56.0	6.3	
102	25.5	2.2	30.9	2.8	36.1	3.4	43.2	4.3	50.6	5.6	54.7	6.5	
106	25.5	2.4	30.9	3.0	36.1	3.6	43.2	4.6	50.6	6.1	53.0	6.5	
109	25.5	2.6	30.9	3.2	36.1	3.9	43.2	5.0	49.3	6.5	50.7	6.2	
113	25.5	2.8	30.9	3.5	36.1	4.2	43.2	5.5	45.2	5.6	46.1	5.2	
118	25.5	3.1	30.9	3.9	36.1	4.8	37.2	4.7	37.8	4.4	38.6	4.1	
122	25.5	3.4	30.9	4.3	31.6	4.1	32.5	4.0	33.0	3.7	33.3	3.4	
80%	5	22.6	0.6	27.5	0.8	32.1	0.9	38.4	1.1	45.0	1.4	51.3	1.7
	10	22.6	0.6	27.5	0.8	32.1	0.9	38.4	1.1	45.0	1.4	51.3	1.7
	14	22.6	0.7	27.5	0.8	32.1	0.9	38.4	1.2	45.0	1.4	51.3	1.7
	18	22.6	0.7	27.5	0.8	32.1	0.9	38.4	1.2	45.0	1.4	51.3	1.7
	23	22.6	0.6	27.5	0.8	32.1	1.0	38.4	1.2	45.0	1.4	51.3	1.7
	28	22.6	0.6	27.5	0.9	32.1	1.0	38.4	1.2	45.0	1.4	51.3	1.7
	32	22.6	0.7	27.5	0.9	32.1	1.0	38.4	1.2	45.0	1.4	51.3	1.7
	36	22.6	0.7	27.5	0.9	32.1	1.0	38.4	1.2	45.0	1.4	51.3	1.7
	39	22.6	0.7	27.5	0.8	32.1	1.0	38.4	1.2	45.0	1.4	51.3	1.7
	43	22.6	0.7	27.5	0.9	32.1	1.0	38.4	1.2	45.0	1.4	51.3	1.7
	46	22.6	0.7	27.5	0.9	32.1	1.0	38.4	1.2	45.0	1.5	51.3	1.7
	50	22.6	0.7	27.5	0.9	32.1	1.1	38.4	1.2	45.0	1.5	51.3	1.8
	54	22.6	0.7	27.5	0.9	32.1	1.1	38.4	1.3	45.0	1.6	51.3	1.9
	57	22.6	0.7	27.5	0.9	32.1	1.1	38.4	1.3	45.0	1.7	51.3	2.0
	61	22.6	0.8	27.5	1.0	32.1	1.1	38.4	1.4	45.0	1.8	51.3	2.2
	64	22.6	0.8	27.5	1.0	32.1	1.2	38.4	1.6	45.0	2.0	51.3	2.4
	68	22.6	0.9	27.5	1.1	32.1	1.4	38.4	1.7	45.0	2.1	51.3	2.6
	70	22.6	0.9	27.5	1.2	32.1	1.4	38.4	1.8	45.0	2.2	51.3	2.7
	73	22.6	1.1	27.5	1.3	32.1	1.5	38.4	1.9	45.0	2.4	51.3	3.0
	77	22.6	1.1	27.5	1.4	32.1	1.7	38.4	2.1	45.0	2.6	51.3	3.2
	81	22.6	1.2	27.5	1.5	32.1	1.8	38.4	2.3	45.0	2.8	51.3	3.4
84	22.6	1.3	27.5	1.7	32.1	2.0	38.4	2.5	45.0	3.1	51.3	3.7	
88	22.6	1.5	27.5	1.8	32.1	2.1	38.4	2.6	45.0	3.3	51.3	4.0	
91	22.6	1.6	27.5	1.9	32.1	2.3	38.4	2.9	45.0	3.6	51.3	4.3	
95	22.6	1.7	27.5	2.1	32.1	2.5	38.4	3.1	45.0	3.9	51.3	4.7	
99	22.6	1.8	27.5	2.2	32.1	2.6	38.4	3.3	45.0	4.2	51.3	5.1	
102	22.6	1.9	27.5	2.4	32.1	2.8	38.4	3.6	45.0	4.5	51.3	5.6	
106	22.6	2.1	27.5	2.6	32.1	3.1	38.4	3.9	45.0	4.9	51.3	6.1	
109	22.6	2.3	27.5	2.8	32.1	3.3	38.4	4.2	45.0	5.3	49.9	6.5	
113	22.6	2.4	27.5	3.0	32.1	3.6	38.4	4.5	45.0	5.8	45.6	5.5	
118	22.6	2.7	27.5	3.4	32.1	4.0	36.9	4.8	37.6	4.5	38.4	4.3	
122	22.6	2.9	27.5	3.6	31.4	4.3	32.0	4.0	32.5	3.8	33.0	3.5	

NOTE - Power Input = Compressor + Outdoor Fan Motor.
 MBH = 1000 BTUs per hour.

COOLING CAPACITY

VPC048H4M-3P

Combination (%)	Outdoor Temperature °F (Dry Bulb)	Indoor Temperature - °F (Dry Bulb / Wet Bulb)											
		67 / 57		71 / 60		75 / 63		80 / 67		85 / 71		90 / 75	
		Total Cap. MBH	Power Input kW	Total Cap. MBH	Power Input kW	Total Cap. MBH	Power Input kW	Total Cap. MBH	Power Input kW	Total Cap. MBH	Power Input kW	Total Cap. MBH	Power Input kW
70%	5	19.8	0.6	24.1	0.7	28.1	0.8	33.6	0.9	39.4	1.1	44.9	1.3
	10	19.8	0.6	24.1	0.7	28.1	0.8	33.6	0.9	39.4	1.1	44.9	1.3
	14	19.8	0.6	24.1	0.7	28.1	0.8	33.6	0.9	39.4	1.1	44.9	1.3
	18	19.8	0.6	24.1	0.7	28.1	0.8	33.6	0.9	39.4	1.1	44.9	1.3
	23	19.8	0.6	24.1	0.7	28.1	0.8	33.6	0.9	39.4	1.1	44.9	1.3
	28	19.8	0.6	24.1	0.7	28.1	0.9	33.6	0.9	39.4	1.1	44.9	1.3
	32	19.8	0.6	24.1	0.7	28.1	0.9	33.6	0.9	39.4	1.1	44.9	1.3
	36	19.8	0.6	24.1	0.7	28.1	0.9	33.6	1.0	39.4	1.2	44.9	1.4
	39	19.8	0.6	24.1	0.7	28.1	0.9	33.6	1.0	39.4	1.2	44.9	1.4
	43	19.8	0.6	24.1	0.7	28.1	0.9	33.6	1.0	39.4	1.2	44.9	1.4
	46	19.8	0.6	24.1	0.7	28.1	0.9	33.6	1.0	39.4	1.3	44.9	1.4
	50	19.8	0.6	24.1	0.7	28.1	0.9	33.6	1.1	39.4	1.3	44.9	1.5
	54	19.8	0.6	24.1	0.7	28.1	0.9	33.6	1.1	39.4	1.3	44.9	1.5
	57	19.8	0.6	24.1	0.8	28.1	0.9	33.6	1.1	39.4	1.3	44.9	1.6
	61	19.8	0.6	24.1	0.8	28.1	0.9	33.6	1.2	39.4	1.4	44.9	1.7
	64	19.8	0.7	24.1	0.8	28.1	1.0	33.6	1.3	39.4	1.6	44.9	1.9
	68	19.8	0.7	24.1	0.9	28.1	1.1	33.6	1.4	39.4	1.7	44.9	2.1
	70	19.8	0.8	24.1	1.0	28.1	1.2	33.6	1.5	39.4	1.8	44.9	2.2
	73	19.8	0.9	24.1	1.1	28.1	1.3	33.6	1.6	39.4	2.0	44.9	2.4
	77	19.8	1.0	24.1	1.2	28.1	1.4	33.6	1.7	39.4	2.1	44.9	2.6
	81	19.8	1.1	24.1	1.3	28.1	1.5	33.6	1.9	39.4	2.3	44.9	2.8
84	19.8	1.2	24.1	1.4	28.1	1.7	33.6	2.0	39.4	2.5	44.9	3.0	
88	19.8	1.3	24.1	1.5	28.1	1.8	33.6	2.2	39.4	2.7	44.9	3.2	
91	19.8	1.3	24.1	1.6	28.1	1.9	33.6	2.4	39.4	2.9	44.9	3.5	
95	19.8	1.4	24.1	1.8	28.1	2.1	33.6	2.5	39.4	3.1	44.9	3.8	
99	19.8	1.6	24.1	1.9	28.1	2.2	33.6	2.7	39.4	3.4	44.9	4.1	
102	19.8	1.7	24.1	2.0	28.1	2.4	33.6	3.0	39.4	3.7	44.9	4.4	
106	19.8	1.8	24.1	2.2	28.1	2.6	33.6	3.2	39.4	4.0	44.9	4.7	
109	19.8	1.9	24.1	2.4	28.1	2.8	33.6	3.5	39.4	4.3	44.9	5.2	
113	19.8	2.1	24.1	2.5	28.1	3.0	33.6	3.7	39.4	4.6	44.9	5.7	
118	19.8	2.3	24.1	2.9	28.1	3.4	33.6	4.2	37.2	4.8	37.8	4.5	
122	19.8	2.5	24.1	3.1	28.1	3.7	31.7	4.2	32.3	3.9	32.8	3.7	
60%	5	17.0	0.5	20.6	0.6	24.1	0.7	28.8	0.8	33.7	1.0	38.5	1.1
	10	17.0	0.5	20.6	0.6	24.1	0.7	28.8	0.8	33.7	1.0	38.5	1.2
	14	17.0	0.5	20.6	0.6	24.1	0.7	28.8	0.8	33.7	1.0	38.5	1.2
	18	17.0	0.5	20.6	0.6	24.1	0.7	28.8	0.8	33.7	1.0	38.5	1.2
	23	17.0	0.5	20.6	0.6	24.1	0.7	28.8	0.8	33.7	1.0	38.5	1.2
	28	17.0	0.5	20.6	0.6	24.1	0.7	28.8	0.9	33.7	1.0	38.5	1.2
	32	17.0	0.5	20.6	0.6	24.1	0.7	28.8	0.9	33.7	1.0	38.5	1.2
	36	17.0	0.5	20.6	0.6	24.1	0.7	28.8	0.9	33.7	1.0	38.5	1.2
	39	17.0	0.5	20.6	0.6	24.1	0.7	28.8	0.9	33.7	1.0	38.5	1.2
	43	17.0	0.5	20.6	0.6	24.1	0.7	28.8	0.9	33.7	1.0	38.5	1.2
	46	17.0	0.5	20.6	0.6	24.1	0.7	28.8	0.9	33.7	1.0	38.5	1.2
	50	17.0	0.5	20.6	0.6	24.1	0.7	28.8	0.9	33.7	1.0	38.5	1.2
	54	17.0	0.5	20.6	0.6	24.1	0.7	28.8	0.9	33.7	1.1	38.5	1.2
	57	17.0	0.5	20.6	0.6	24.1	0.7	28.8	0.9	33.7	1.1	38.5	1.3
	61	17.0	0.6	20.6	0.6	24.1	0.8	28.8	0.9	33.7	1.1	38.5	1.3
	64	17.0	0.6	20.6	0.7	24.1	0.8	28.8	1.0	33.7	1.2	38.5	1.5
	68	17.0	0.6	20.6	0.7	24.1	0.9	28.8	1.1	33.7	1.4	38.5	1.6
	70	17.0	0.6	20.6	0.8	24.1	1.0	28.8	1.2	33.7	1.4	38.5	1.7
	73	17.0	0.7	20.6	0.9	24.1	1.1	28.8	1.3	33.7	1.6	38.5	1.9
	77	17.0	0.9	20.6	1.0	24.1	1.2	28.8	1.4	33.7	1.7	38.5	2.0
	81	17.0	0.9	20.6	1.1	24.1	1.3	28.8	1.5	33.7	1.9	38.5	2.2
84	17.0	1.0	20.6	1.2	24.1	1.4	28.8	1.7	33.7	2.0	38.5	2.4	
88	17.0	1.1	20.6	1.3	24.1	1.5	28.8	1.8	33.7	2.2	38.5	2.6	
91	17.0	1.2	20.6	1.4	24.1	1.6	28.8	1.9	33.7	2.3	38.5	2.8	
95	17.0	1.2	20.6	1.5	24.1	1.7	28.8	2.1	33.7	2.5	38.5	3.0	
99	17.0	1.3	20.6	1.6	24.1	1.8	28.8	2.2	33.7	2.7	38.5	3.2	
102	17.0	1.4	20.6	1.7	24.1	2.0	28.8	2.4	33.7	2.9	38.5	3.5	
106	17.0	1.5	20.6	1.8	24.1	2.1	28.8	2.6	33.7	3.2	38.5	3.7	
109	17.0	1.6	20.6	2.0	24.1	2.3	28.8	2.8	33.7	3.4	38.5	4.1	
113	17.0	1.8	20.6	2.1	24.1	2.5	28.8	3.0	33.7	3.7	38.5	4.4	
118	17.0	2.0	20.6	2.4	24.1	2.8	28.8	3.4	33.7	4.2	37.2	4.7	
122	17.0	2.1	20.6	2.6	24.1	3.0	28.8	3.7	31.8	4.1	32.5	3.9	

NOTE - Power Input = Compressor + Outdoor Fan Motor.
MBH = 1000 BTUs per hour.

COOLING CAPACITY

VPC048H4M-3P

Combination (%)	Outdoor Temperature °F (Dry Bulb)	Indoor Temperature - °F (Dry Bulb / Wet Bulb)											
		67 / 57		71 / 60		75 / 63		80 / 67		85 / 71		90 / 75	
		Total Cap. MBH	Power Input kW	Total Cap. MBH	Power Input kW	Total Cap. MBH	Power Input kW	Total Cap. MBH	Power Input kW	Total Cap. MBH	Power Input kW	Total Cap. MBH	Power Input kW
50%	5	14.1	0.4	17.2	0.5	20.1	0.6	24.0	0.7	28.1	0.8	32.1	0.9
	10	14.1	0.4	17.2	0.5	20.1	0.6	24.0	0.7	28.1	0.8	32.1	0.9
	14	14.1	0.4	17.2	0.5	20.1	0.6	24.0	0.7	28.1	0.8	32.1	0.9
	18	14.1	0.4	17.2	0.5	20.1	0.6	24.0	0.7	28.1	0.8	32.1	0.9
	23	14.1	0.4	17.2	0.5	20.1	0.6	24.0	0.7	28.1	0.8	32.1	0.9
	28	14.1	0.4	17.2	0.5	20.1	0.6	24.0	0.7	28.1	0.8	32.1	0.9
	32	14.1	0.4	17.2	0.5	20.1	0.6	24.0	0.7	28.1	0.8	32.1	0.9
	36	14.1	0.4	17.2	0.5	20.1	0.6	24.0	0.7	28.1	0.8	32.1	0.9
	39	14.1	0.5	17.2	0.6	20.1	0.7	24.0	0.8	28.1	0.9	32.1	0.9
	43	14.1	0.5	17.2	0.6	20.1	0.7	24.0	0.8	28.1	0.9	32.1	0.9
	46	14.1	0.5	17.2	0.6	20.1	0.7	24.0	0.8	28.1	0.9	32.1	1.0
	50	14.1	0.5	17.2	0.6	20.1	0.7	24.0	0.8	28.1	0.9	32.1	1.0
	54	14.1	0.5	17.2	0.6	20.1	0.7	24.0	0.8	28.1	0.9	32.1	1.0
	57	14.1	0.5	17.2	0.6	20.1	0.7	24.0	0.8	28.1	0.9	32.1	1.0
	61	14.1	0.5	17.2	0.6	20.1	0.7	24.0	0.8	28.1	0.9	32.1	1.0
	64	14.1	0.5	17.2	0.6	20.1	0.7	24.0	0.8	28.1	1.0	32.1	1.1
	68	14.1	0.5	17.2	0.6	20.1	0.7	24.0	0.8	28.1	1.1	32.1	1.2
	70	14.1	0.6	17.2	0.6	20.1	0.7	24.0	0.9	28.1	1.1	32.1	1.3
	73	14.1	0.6	17.2	0.7	20.1	0.8	24.0	1.0	28.1	1.2	32.1	1.4
	77	14.1	0.7	17.2	0.8	20.1	0.9	24.0	1.1	28.1	1.3	32.1	1.6
81	14.1	0.8	17.2	0.9	20.1	1.0	24.0	1.2	28.1	1.5	32.1	1.7	
84	14.1	0.9	17.2	1.0	20.1	1.1	24.0	1.3	28.1	1.6	32.1	1.8	
88	14.1	0.9	17.2	1.1	20.1	1.2	24.0	1.4	28.1	1.7	32.1	2.0	
91	14.1	1.0	17.2	1.1	20.1	1.3	24.0	1.6	28.1	1.9	32.1	2.1	
95	14.1	1.0	17.2	1.2	20.1	1.4	24.0	1.7	28.1	2.0	32.1	2.3	
99	14.1	1.1	17.2	1.3	20.1	1.5	24.0	1.8	28.1	2.1	32.1	2.5	
102	14.1	1.2	17.2	1.4	20.1	1.6	24.0	1.9	28.1	2.3	32.1	2.7	
106	14.1	1.3	17.2	1.5	20.1	1.7	24.0	2.1	28.1	2.5	32.1	2.9	
109	14.1	1.4	17.2	1.6	20.1	1.9	24.0	2.3	28.1	2.7	32.1	3.1	
113	14.1	1.5	17.2	1.8	20.1	2.0	24.0	2.4	28.1	2.9	32.1	3.4	
118	14.1	1.6	17.2	2.0	20.1	2.3	24.0	2.7	28.1	3.3	32.1	3.8	
122	14.1	1.8	17.2	2.1	20.1	2.4	24.0	3.0	28.1	3.5	32.1	4.1	

NOTE - Power Input = Compressor + Outdoor Fan Motor.
 MBH = 1000 BTUs per hour.

HEATING CAPACITY

VPC048H4M-3P

Combination (%)	Outdoor Temperature (°F)		Indoor Temperature - °F Dry Bulb											
			61		65		68		70		72		75	
	Dry Bulb	Wet Bulb	Total Cap.	Power Input	Total Cap.	Power Input	Total Cap.	Power Input	Total Cap.	Power Input	Total Cap.	Power Input	Total Cap.	Power Input
			MBH	kW	MBH	kW	MBH	kW	MBH	kW	MBH	kW	MBH	kW
130%	-13	-14	28.1	4.1	27.8	4.2	27.5	4.3	27.4	4.4	27.2	4.5	27.0	4.6
	-4	-4	33.7	4.4	33.3	4.5	33.1	4.6	32.9	4.7	32.7	4.8	32.4	4.9
	-2	-2	34.8	4.4	34.4	4.6	34.1	4.7	33.9	4.8	33.7	4.8	33.5	5.0
	6	5	39.1	4.6	38.7	4.8	38.4	4.9	38.2	5.0	38.0	5.1	37.7	5.2
	10	8	41.3	4.7	40.9	4.9	40.5	5.0	40.3	5.1	40.1	5.2	39.8	5.3
	13	12	43.6	4.8	43.1	5.0	42.8	5.1	42.6	5.2	42.4	5.3	42.0	5.4
	15	14	44.9	4.9	44.4	5.0	44.1	5.2	43.9	5.2	43.6	5.3	43.3	5.5
	17	15	45.8	4.9	45.4	5.1	45.0	5.2	44.8	5.3	44.6	5.4	44.2	5.5
	19	18	47.5	5.0	47.0	5.1	46.7	5.3	46.4	5.4	46.2	5.4	45.8	5.6
	22	19	48.0	4.7	47.5	4.9	47.1	5.0	46.9	5.1	46.6	5.1	46.3	5.3
	26	22	50.4	4.8	50.0	4.9	49.6	5.1	49.3	5.2	49.1	5.2	48.7	5.4
	30	26	52.8	4.9	52.3	5.0	51.9	5.2	51.7	5.3	51.4	5.3	51.0	5.5
	35	30	55.9	5.0	55.3	5.2	54.9	5.3	54.7	5.4	54.4	5.5	54.0	5.6
	39	34	58.3	5.1	57.8	5.2	57.4	5.4	57.1	5.5	56.8	5.6	56.3	5.7
	44	38	61.6	5.2	61.0	5.4	60.5	5.5	60.2	5.6	59.9	5.7	57.7	5.5
	47	43	64.9	5.3	64.2	5.5	63.8	5.6	63.4	5.7	62.1	5.6	57.7	5.1
	51	45	66.1	5.3	65.5	5.5	65.0	5.7	65.0	5.7	62.1	5.4	57.7	4.9
	54	47	68.1	5.4	67.4	5.6	67.9	5.8	65.0	5.5	62.1	5.2	57.7	4.7
	57	50	70.1	5.5	69.4	5.7	67.9	5.5	65.0	5.2	62.1	4.9	57.7	4.5
	60	53	72.2	5.5	72.3	5.7	67.9	5.3	65.0	5.0	62.1	4.7	57.7	4.3
63	55	74.2	5.6	72.3	5.5	67.9	5.0	65.0	4.8	62.1	4.5	57.7	4.1	
66	58	76.3	5.7	72.3	5.2	67.9	4.8	65.0	4.5	62.1	4.3	57.7	3.9	
69	61	78.1	5.5	72.3	5.0	67.9	4.6	65.0	4.3	62.1	4.1	57.7	3.7	
72	62	78.1	5.4	72.3	4.8	67.9	4.4	65.0	4.2	62.1	3.9	57.7	3.6	
75	64	78.1	5.2	72.3	4.7	67.9	4.3	65.0	4.0	62.1	3.8	57.7	3.4	
78	67	78.1	4.9	72.3	4.4	67.9	4.0	65.0	3.8	62.1	3.6	57.7	3.2	
80	69	78.1	4.8	72.3	4.3	67.9	3.9	65.0	3.6	62.1	3.4	57.7	3.1	
120%	-13	-14	28.0	4.1	27.6	4.3	27.4	4.4	27.3	4.4	27.1	4.5	26.9	4.6
	-4	-4	33.5	4.4	33.2	4.6	32.9	4.7	32.7	4.8	32.6	4.8	32.3	4.9
	-2	-2	34.6	4.5	34.2	4.6	34.0	4.7	33.8	4.8	33.6	4.9	33.3	5.0
	6	5	39.0	4.7	38.6	4.8	38.3	5.0	38.1	5.0	37.9	5.1	37.6	5.2
	10	8	41.1	4.8	40.7	4.9	40.4	5.1	40.2	5.1	40.0	5.2	39.6	5.3
	13	12	43.4	4.9	43.0	5.0	42.7	5.2	42.4	5.2	42.2	5.3	41.9	5.5
	15	14	44.7	4.9	44.3	5.1	43.9	5.2	43.7	5.3	43.5	5.4	43.1	5.5
	17	15	45.6	5.0	45.2	5.1	44.9	5.3	44.6	5.4	44.4	5.4	44.0	5.6
	19	18	47.3	5.0	46.8	5.2	46.5	5.3	46.2	5.4	46.0	5.5	45.6	5.7
	22	19	47.7	4.8	47.2	4.9	46.9	5.1	46.7	5.1	46.4	5.2	46.1	5.3
	26	22	50.1	4.9	49.6	5.0	49.3	5.2	49.0	5.2	48.8	5.3	48.4	5.5
	30	26	52.5	5.0	52.0	5.1	51.6	5.3	51.3	5.3	51.0	5.4	50.6	5.6
	35	30	55.5	5.1	55.0	5.2	54.6	5.4	54.3	5.5	54.0	5.6	53.3	5.6
	39	34	57.9	5.2	57.4	5.3	57.0	5.5	56.7	5.6	57.3	5.7	53.3	5.3
	44	38	61.1	5.3	60.5	5.5	60.1	5.6	60.0	5.7	57.3	5.3	53.3	4.9
	47	43	64.4	5.4	63.8	5.6	62.7	5.5	60.0	5.2	57.3	5.0	53.3	4.5
	51	45	65.6	5.4	65.0	5.6	62.7	5.4	60.0	5.1	57.3	4.8	53.3	4.4
	54	47	67.5	5.5	66.7	5.6	62.7	5.2	60.0	4.9	57.3	4.6	53.3	4.2
	57	50	69.6	5.6	66.7	5.3	62.7	4.9	60.0	4.7	57.3	4.4	53.3	4.0
	60	53	72.0	5.6	66.7	5.1	62.7	4.7	60.0	4.4	57.3	4.2	53.3	3.8
63	55	72.0	5.4	66.7	4.8	62.7	4.5	60.0	4.2	57.3	4.0	53.3	3.6	
66	58	72.0	5.1	66.7	4.6	62.7	4.2	60.0	4.0	57.3	3.8	53.3	3.4	
69	61	72.0	4.9	66.7	4.4	62.7	4.0	60.0	3.8	57.3	3.6	53.3	3.3	
72	62	72.0	4.7	66.7	4.3	62.7	3.9	60.0	3.7	57.3	3.5	53.3	3.2	
75	64	72.0	4.5	66.7	4.1	62.7	3.7	60.0	3.5	57.3	3.3	53.3	3.1	
78	67	72.0	4.3	66.7	3.9	62.7	3.5	60.0	3.3	57.3	3.1	53.3	2.9	
80	69	72.0	4.2	66.7	3.8	62.7	3.4	60.0	3.2	57.3	3.0	53.3	2.8	

NOTE - All Total Capacity and Power Input Data at 2°F Dry Bulb / 1°F Wet Bulb Outdoor Temperature is simulated at these operating conditions.

Recommended minimum heating operating temperature is -4°F.

Power Input = Compressor + Outdoor Fan Motor.

MBH = 1000 BTUs per hour.

HEATING CAPACITY

VPC048H4M-3P

Combination (%)	Outdoor Temperature (°F)		Indoor Temperature - °F Dry Bulb											
			61		65		68		70		72		75	
			Total Cap.	Power Input	Total Cap.	Power Input	Total Cap.	Power Input	Total Cap.	Power Input	Total Cap.	Power Input	Total Cap.	Power Input
	Dry Bulb	Wet Bulb	MBH	kW	MBH	kW	MBH	kW	MBH	kW	MBH	kW	MBH	kW
110%	-13	-14	27.8	4.2	27.5	4.3	27.3	4.4	27.1	4.5	27.0	4.6	26.8	4.7
	-4	-4	33.4	4.5	33.0	4.6	32.8	4.7	32.6	4.8	32.4	4.9	32.2	5.0
	-2	-2	34.5	4.5	34.1	4.7	33.8	4.8	33.6	4.9	33.5	4.9	33.2	5.1
	6	5	38.8	4.7	38.4	4.9	38.1	5.0	37.9	5.1	37.7	5.2	37.4	5.3
	10	8	41.0	4.8	40.5	5.0	40.2	5.1	40.0	5.2	39.8	5.3	39.5	5.4
	13	12	43.2	5.0	42.8	5.1	42.4	5.2	42.2	5.3	42.0	5.4	41.7	5.5
	15	14	44.4	5.0	44.0	5.2	43.7	5.3	43.4	5.4	43.2	5.5	42.9	5.6
	17	15	45.3	5.1	44.9	5.2	44.6	5.4	44.3	5.4	44.1	5.5	43.8	5.7
	19	18	46.9	5.1	46.5	5.3	46.1	5.4	45.9	5.5	45.7	5.6	45.3	5.7
	22	19	47.4	4.8	46.9	5.0	46.5	5.1	46.3	5.2	46.1	5.3	45.7	5.4
	26	22	49.7	5.0	49.3	5.1	48.9	5.2	48.6	5.3	48.4	5.4	48.8	5.6
	30	26	52.1	5.0	51.6	5.2	51.2	5.4	50.9	5.4	50.7	5.5	48.8	5.3
	35	30	55.1	5.2	54.6	5.3	54.1	5.5	55.0	5.7	52.6	5.4	48.8	5.0
	39	34	57.5	5.3	56.9	5.5	57.4	5.7	55.0	5.4	52.6	5.1	48.8	4.7
	44	38	60.6	5.4	61.2	5.7	57.4	5.3	55.0	5.0	52.6	4.8	48.8	4.4
	47	43	63.9	5.5	61.2	5.3	57.4	4.9	55.0	4.6	52.6	4.4	48.8	4.0
	51	45	66.0	5.6	61.2	5.1	57.4	4.7	55.0	4.5	52.6	4.3	48.8	3.9
	54	47	66.0	5.4	61.2	4.9	57.4	4.5	55.0	4.3	52.6	4.1	48.8	3.7
	57	50	66.0	5.1	61.2	4.7	57.4	4.3	55.0	4.1	52.6	3.9	48.8	3.5
	60	53	66.0	4.9	61.2	4.5	57.4	4.1	55.0	3.9	52.6	3.7	48.8	3.4
63	55	66.0	4.7	61.2	4.2	57.4	3.9	55.0	3.7	52.6	3.5	48.8	3.2	
66	58	66.0	4.4	61.2	4.0	57.4	3.7	55.0	3.5	52.6	3.3	48.8	3.1	
69	61	66.0	4.2	61.2	3.8	57.4	3.5	55.0	3.3	52.6	3.1	48.8	2.9	
72	62	66.0	4.1	61.2	3.7	57.4	3.4	55.0	3.2	52.6	3.1	48.8	2.8	
75	64	66.0	3.9	61.2	3.5	57.4	3.2	55.0	3.1	52.6	2.9	48.8	2.7	
80	69	66.0	3.5	61.2	3.2	57.4	3.0	55.0	2.8	52.6	2.7	48.8	2.5	
100%	-13	-14	27.7	4.2	27.4	4.4	27.1	4.5	27.0	4.5	26.9	4.6	26.6	4.7
	-4	-4	33.2	4.5	32.9	4.7	32.6	4.8	32.5	4.9	32.3	5.0	32.0	5.1
	-2	-2	34.3	4.6	34.0	4.7	33.7	4.9	33.5	4.9	33.3	5.0	33.1	5.1
	6	5	38.6	4.8	38.2	5.0	38.0	5.1	37.8	5.2	37.6	5.3	37.3	5.4
	10	8	40.7	4.9	40.3	5.1	40.0	5.2	39.8	5.3	39.6	5.4	39.3	5.5
	13	12	42.9	5.0	42.4	5.2	42.1	5.3	41.9	5.4	41.7	5.5	41.4	5.6
	15	14	44.1	5.1	43.7	5.3	43.3	5.4	43.1	5.5	42.9	5.6	42.6	5.7
	17	15	45.0	5.2	44.5	5.3	44.2	5.5	44.0	5.5	43.8	5.6	43.4	5.8
	19	18	46.6	5.2	46.1	5.4	45.8	5.5	45.5	5.6	45.3	5.7	44.4	5.7
	22	19	47.0	4.9	46.5	5.1	46.2	5.2	45.9	5.3	45.7	5.4	44.4	5.3
	26	22	49.3	5.1	48.9	5.2	48.5	5.4	48.2	5.4	47.8	5.4	44.4	5.0
	30	26	51.6	5.2	51.1	5.3	50.7	5.5	50.0	5.4	47.8	5.1	44.4	4.7
	35	30	54.6	5.3	54.1	5.5	52.2	5.3	50.0	5.0	47.8	4.8	44.4	4.4
	39	34	57.0	5.4	55.6	5.4	52.2	5.0	50.0	4.7	47.8	4.5	44.4	4.1
	44	38	60.0	5.4	55.6	5.0	52.2	4.6	50.0	4.4	47.8	4.2	44.4	3.8
	47	43	60.0	5.0	55.6	4.6	52.2	4.3	50.0	4.1	47.8	3.9	44.4	3.5
	51	45	60.0	4.9	55.6	4.5	52.2	4.2	50.0	3.9	47.8	3.7	44.4	3.4
	54	47	60.0	4.7	55.6	4.3	52.2	4.0	50.0	3.8	47.8	3.6	44.4	3.3
	57	50	60.0	4.5	55.6	4.1	52.2	3.8	50.0	3.6	47.8	3.4	44.4	3.1
	60	53	60.0	4.2	55.6	3.9	52.2	3.6	50.0	3.4	47.8	3.2	44.4	3.0
63	55	60.0	4.0	55.6	3.7	52.2	3.4	50.0	3.2	47.8	3.1	44.4	2.9	
66	58	60.0	3.8	55.6	3.5	52.2	3.2	50.0	3.1	47.8	2.9	44.4	2.7	
69	61	60.0	3.6	55.6	3.3	52.2	3.1	50.0	2.9	47.8	2.8	44.4	2.6	
72	62	60.0	3.5	55.6	3.2	52.2	3.0	50.0	2.8	47.8	2.7	44.4	2.5	
75	64	60.0	3.3	55.6	3.1	52.2	2.9	50.0	2.7	47.8	2.6	44.4	2.4	
80	67	60.0	3.2	55.6	2.9	52.2	2.7	50.0	2.6	47.8	2.5	44.4	2.3	
80	69	60.0	3.0	55.6	2.8	52.2	2.6	50.0	2.5	47.8	2.4	44.4	2.2	

NOTE - All Total Capacity and Power Input Data at 2°F Dry Bulb / 1°F Wet Bulb Outdoor Temperature is simulated at these operating conditions.

Recommended minimum heating operating temperature is -4°F.

Power Input = Compressor + Outdoor Fan Motor.

MBH = 1000 BTUs per hour.

HEATING CAPACITY

VPC048H4M-3P

Combination (%)	Outdoor Temperature (°F)		Indoor Temperature - °F Dry Bulb											
			61		65		68		70		72		75	
	Dry Bulb	Wet Bulb	Total Cap.	Power Input	Total Cap.	Power Input	Total Cap.	Power Input	Total Cap.	Power Input	Total Cap.	Power Input	Total Cap.	Power Input
			MBH	kW	MBH	kW	MBH	kW	MBH	kW	MBH	kW	MBH	kW
90%	-13	-14	27.6	4.3	27.2	4.4	27.0	4.5	26.9	4.6	26.7	4.7	26.5	4.8
	-4	-4	33.1	4.6	32.8	4.8	32.5	4.9	32.3	5.0	32.2	5.0	31.9	5.2
	-2	-2	34.1	4.7	33.8	4.8	33.5	4.9	33.4	5.0	33.2	5.1	32.9	5.2
	6	5	38.3	4.9	37.9	5.1	37.6	5.2	37.5	5.3	37.3	5.4	37.0	5.5
	10	8	40.3	5.0	39.9	5.2	39.6	5.3	39.4	5.4	39.2	5.5	38.9	5.6
	13	12	42.5	5.2	42.1	5.3	41.8	5.5	41.6	5.5	41.3	5.6	39.9	5.5
	15	14	43.7	5.2	43.3	5.4	42.9	5.5	42.7	5.6	43.0	5.7	39.9	5.3
	17	15	44.6	5.3	44.2	5.4	43.8	5.6	43.6	5.7	43.0	5.6	39.9	5.2
	19	18	46.2	5.4	45.7	5.5	45.3	5.7	45.0	5.7	43.0	5.4	39.9	5.0
	22	19	46.6	5.1	46.1	5.2	45.8	5.4	45.0	5.3	43.0	5.0	39.9	4.7
	26	22	48.9	5.2	48.4	5.4	47.0	5.2	45.0	5.0	43.0	4.7	39.9	4.4
	30	26	51.1	5.3	50.1	5.3	47.0	4.9	45.0	4.7	43.0	4.5	39.9	4.1
	35	30	54.0	5.4	50.1	4.9	47.0	4.6	45.0	4.4	43.0	4.2	39.9	3.8
	39	34	54.0	5.1	50.1	4.7	47.0	4.3	45.0	4.1	43.0	3.9	39.9	3.6
	44	38	54.0	4.7	50.1	4.3	47.0	4.0	45.0	3.8	43.0	3.6	39.9	3.4
	47	43	54.0	4.3	50.1	4.0	47.0	3.7	45.0	3.5	43.0	3.3	39.9	3.1
	51	45	54.0	4.2	50.1	3.9	47.0	3.6	45.0	3.4	43.0	3.3	39.9	3.0
	54	47	54.0	4.0	50.1	3.7	47.0	3.4	45.0	3.3	43.0	3.1	39.9	2.9
	57	50	54.0	3.8	50.1	3.5	47.0	3.2	45.0	3.1	43.0	3.0	39.9	2.8
	60	53	54.0	3.6	50.1	3.3	47.0	3.1	45.0	3.0	43.0	2.8	39.9	2.6
63	55	54.0	3.4	50.1	3.1	47.0	3.0	45.0	2.8	43.0	2.7	39.9	2.5	
66	58	54.0	3.2	50.1	3.0	47.0	2.8	45.0	2.7	43.0	2.6	39.9	2.4	
69	61	54.0	3.1	50.1	2.8	47.0	2.7	45.0	2.6	43.0	2.4	39.9	2.3	
72	62	54.0	3.0	50.1	2.8	47.0	2.6	45.0	2.5	43.0	2.4	39.9	2.2	
75	64	54.0	2.9	50.1	2.7	47.0	2.5	45.0	2.4	43.0	2.3	39.9	2.1	
78	67	54.0	2.7	50.1	2.5	47.0	2.4	45.0	2.3	43.0	2.2	39.9	2.0	
80	69	54.0	2.6	50.1	2.4	47.0	2.3	45.0	2.2	43.0	2.1	39.9	1.9	
80%	-13	-14	27.4	4.4	27.1	4.5	26.9	4.6	26.7	4.7	26.6	4.8	26.4	4.9
	-4	-4	32.8	4.7	32.5	4.9	32.2	5.0	32.1	5.1	31.9	5.1	31.7	5.3
	-2	-2	33.8	4.8	33.5	4.9	33.2	5.1	33.1	5.1	32.9	5.2	32.7	5.3
	6	5	37.9	5.0	37.6	5.2	37.3	5.3	37.1	5.4	36.9	5.5	35.5	5.3
	10	8	39.9	5.2	39.6	5.3	39.3	5.5	39.1	5.5	38.2	5.4	35.5	5.0
	13	12	42.1	5.3	41.7	5.5	41.8	5.6	40.0	5.4	38.2	5.1	35.5	4.8
	15	14	43.3	5.4	42.8	5.5	41.8	5.5	40.0	5.2	38.2	5.0	35.5	4.6
	17	15	44.1	5.4	44.5	5.7	41.8	5.3	40.0	5.1	38.2	4.9	35.5	4.5
	19	18	45.7	5.5	44.5	5.5	41.8	5.1	40.0	4.9	38.2	4.7	35.5	4.3
	22	19	46.1	5.2	44.5	5.1	41.8	4.8	40.0	4.6	38.2	4.4	35.5	4.0
	26	22	48.0	5.2	44.5	4.8	41.8	4.5	40.0	4.3	38.2	4.1	35.5	3.8
	30	26	48.0	4.9	44.5	4.6	41.8	4.3	40.0	4.1	38.2	3.9	35.5	3.6
	35	30	48.0	4.6	44.5	4.2	41.8	3.9	40.0	3.8	38.2	3.6	35.5	3.3
	39	34	48.0	4.3	44.5	4.0	41.8	3.7	40.0	3.5	38.2	3.4	35.5	3.1
	44	38	48.0	4.0	44.5	3.7	41.8	3.4	40.0	3.3	38.2	3.1	35.5	2.9
	47	43	48.0	3.7	44.5	3.4	41.8	3.2	40.0	3.0	38.2	2.9	35.5	2.7
	51	45	48.0	3.6	44.5	3.3	41.8	3.1	40.0	3.0	38.2	2.8	35.5	2.7
	54	47	48.0	3.4	44.5	3.1	41.8	2.9	40.0	2.8	38.2	2.7	35.5	2.5
	57	50	48.0	3.2	44.5	3.0	41.8	2.8	40.0	2.7	38.2	2.6	35.5	2.4
	60	53	48.0	3.1	44.5	2.8	41.8	2.7	40.0	2.6	38.2	2.5	35.5	2.3
63	55	48.0	2.9	44.5	2.7	41.8	2.6	40.0	2.5	38.2	2.4	35.5	2.2	
66	58	48.0	2.8	44.5	2.6	41.8	2.4	40.0	2.3	38.2	2.2	35.5	2.1	
69	61	48.0	2.6	44.5	2.4	41.8	2.3	40.0	2.2	38.2	2.1	35.5	2.0	
72	62	48.0	2.6	44.5	2.4	41.8	2.2	40.0	2.2	38.2	2.1	35.5	1.9	
75	64	48.0	2.4	44.5	2.3	41.8	2.1	40.0	2.1	38.2	2.0	35.5	1.9	
78	67	48.0	2.3	44.5	2.2	41.8	2.0	40.0	2.0	38.2	1.9	35.5	1.8	
80	69	48.0	2.2	44.5	2.1	41.8	1.9	40.0	1.9	38.2	1.8	35.5	1.7	

NOTE - All Total Capacity and Power Input Data at 2°F Dry Bulb / 1°F Wet Bulb Outdoor Temperature is simulated at these operating conditions.

Recommended minimum heating operating temperature is -4°F.

Power Input = Compressor + Outdoor Fan Motor.

MBH = 1000 BTUs per hour.

HEATING CAPACITY

VPC048H4M-3P

Combination (%)	Outdoor Temperature (°F)		Indoor Temperature - °F Dry Bulb											
			61		65		68		70		72		75	
			Total Cap.	Power Input	Total Cap.	Power Input	Total Cap.	Power Input	Total Cap.	Power Input	Total Cap.	Power Input	Total Cap.	Power Input
	Dry Bulb	Wet Bulb	MBH	kW	MBH	kW	MBH	kW	MBH	kW	MBH	kW	MBH	kW
70%	-13	-14	27.2	4.5	26.9	4.6	26.7	4.7	26.6	4.8	26.5	4.9	26.3	5.0
	-4	-4	32.5	4.8	32.2	5.0	31.9	5.1	31.8	5.2	31.6	5.3	31.1	5.3
	-2	-2	33.5	4.9	33.2	5.1	32.9	5.2	32.7	5.3	32.6	5.3	31.1	5.1
	6	5	37.5	5.2	37.2	5.4	36.5	5.3	35.0	5.1	33.5	4.9	31.1	4.6
	10	8	39.5	5.3	38.9	5.4	36.5	5.1	35.0	4.9	33.5	4.6	31.1	4.3
	13	12	42.0	5.5	38.9	5.1	36.5	4.8	35.0	4.6	33.5	4.4	31.1	4.1
	15	14	42.0	5.3	38.9	4.9	36.5	4.6	35.0	4.4	33.5	4.2	31.1	3.9
	17	15	42.0	5.2	38.9	4.8	36.5	4.5	35.0	4.3	33.5	4.1	31.1	3.8
	19	18	42.0	5.0	38.9	4.6	36.5	4.4	35.0	4.2	33.5	4.0	31.1	3.7
	22	19	42.0	4.7	38.9	4.3	36.5	4.1	35.0	3.9	33.5	3.7	31.1	3.4
	26	22	42.0	4.4	38.9	4.1	36.5	3.8	35.0	3.7	33.5	3.5	31.1	3.2
	30	26	42.0	4.2	38.9	3.8	36.5	3.6	35.0	3.4	33.5	3.3	31.1	3.1
	35	30	42.0	3.9	38.9	3.6	36.5	3.3	35.0	3.2	33.5	3.1	31.1	2.9
	39	34	42.0	3.6	38.9	3.3	36.5	3.2	35.0	3.0	33.5	2.9	31.1	2.7
	44	38	42.0	3.3	38.9	3.1	36.5	2.9	35.0	2.8	33.5	2.7	31.1	2.5
	47	43	42.0	3.1	38.9	2.9	36.5	2.7	35.0	2.6	33.5	2.5	31.1	2.3
	51	45	42.0	3.0	38.9	2.8	36.5	2.6	35.0	2.5	33.5	2.4	31.1	2.3
	54	47	42.0	2.9	38.9	2.7	36.5	2.5	35.0	2.4	33.5	2.3	31.1	2.2
	57	50	42.0	2.7	38.9	2.5	36.5	2.4	35.0	2.3	33.5	2.2	31.1	2.1
	60	53	42.0	2.6	38.9	2.4	36.5	2.3	35.0	2.2	33.5	2.1	31.1	2.0
63	55	42.0	2.5	38.9	2.3	36.5	2.2	35.0	2.1	33.5	2.0	31.1	1.9	
66	58	42.0	2.3	38.9	2.2	36.5	2.1	35.0	2.0	33.5	1.9	31.1	1.8	
69	61	42.0	2.2	38.9	2.1	36.5	2.0	35.0	1.9	33.5	1.8	31.1	1.7	
72	62	42.0	2.2	38.9	2.0	36.5	1.9	35.0	1.8	33.5	1.8	31.1	1.7	
75	64	42.0	2.1	38.9	1.9	36.5	1.8	35.0	1.8	33.5	1.7	31.1	1.6	
78	67	42.0	1.9	38.9	1.8	36.5	1.7	35.0	1.7	33.5	1.6	31.1	1.5	
80	69	42.0	1.9	38.9	1.7	36.5	1.7	35.0	1.6	33.5	1.5	31.1	1.4	
60%	-13	-14	26.9	4.6	26.6	4.7	26.4	4.9	26.3	4.9	26.2	5.0	26.0	5.1
	-4	-4	32.1	5.0	31.8	5.2	31.3	5.2	30.0	5.0	28.7	4.8	26.6	4.4
	-2	-2	33.0	5.1	33.4	5.3	31.3	5.0	30.0	4.8	28.7	4.6	26.6	4.3
	6	5	36.0	5.1	33.4	4.8	31.3	4.5	30.0	4.3	28.7	4.1	26.6	3.8
	10	8	36.0	4.8	33.4	4.5	31.3	4.2	30.0	4.1	28.7	3.9	26.6	3.6
	13	12	36.0	4.6	33.4	4.2	31.3	4.0	30.0	3.8	28.7	3.7	26.6	3.4
	15	14	36.0	4.4	33.4	4.1	31.3	3.9	30.0	3.7	28.7	3.5	26.6	3.3
	17	15	36.0	4.3	33.4	4.0	31.3	3.8	30.0	3.6	28.7	3.5	26.6	3.2
	19	18	36.0	4.1	33.4	3.9	31.3	3.6	30.0	3.5	28.7	3.3	26.6	3.1
	22	19	36.0	3.9	33.4	3.6	31.3	3.4	30.0	3.2	28.7	3.1	26.6	2.9
	26	22	36.0	3.6	33.4	3.4	31.3	3.2	30.0	3.1	28.7	2.9	26.6	2.8
	30	26	36.0	3.4	33.4	3.2	31.3	3.0	30.0	2.9	28.7	2.8	26.6	2.6
	35	30	36.0	3.2	33.4	3.0	31.3	2.8	30.0	2.7	28.7	2.6	26.6	2.5
	39	34	36.0	3.0	33.4	2.8	31.3	2.7	30.0	2.6	28.7	2.5	26.6	2.3
	44	38	36.0	2.8	33.4	2.6	31.3	2.5	30.0	2.4	28.7	2.3	26.6	2.2
	47	43	36.0	2.5	33.4	2.4	31.3	2.3	30.0	2.2	28.7	2.1	26.6	1.9
	51	45	36.0	2.5	33.4	2.4	31.3	2.2	30.0	2.1	28.7	2.0	26.6	1.9
	54	47	36.0	2.4	33.4	2.2	31.3	2.1	30.0	2.1	28.7	2.0	26.6	1.8
	57	50	36.0	2.3	33.4	2.1	31.3	2.0	30.0	2.0	28.7	1.9	26.6	1.7
	60	53	36.0	2.2	33.4	2.0	31.3	1.9	30.0	1.9	28.7	1.8	26.6	1.7
63	55	36.0	2.1	33.4	1.9	31.3	1.8	30.0	1.8	28.7	1.7	26.6	1.6	
66	58	36.0	2.0	33.4	1.8	31.3	1.7	30.0	1.7	28.7	1.6	26.6	1.5	
69	61	36.0	1.9	33.4	1.7	31.3	1.7	30.0	1.6	28.7	1.5	26.6	1.5	
72	62	36.0	1.8	33.4	1.7	31.3	1.6	30.0	1.6	28.7	1.5	26.6	1.4	
75	64	36.0	1.7	33.4	1.6	31.3	1.5	30.0	1.5	28.7	1.4	26.6	1.4	
78	67	36.0	1.6	33.4	1.5	31.3	1.5	30.0	1.4	28.7	1.4	26.6	1.3	
80	69	36.0	1.5	33.4	1.5	31.3	1.4	30.0	1.3	28.7	1.3	26.6	1.2	

NOTE - All Total Capacity and Power Input Data at 2°F Dry Bulb / 1°F Wet Bulb Outdoor Temperature is simulated at these operating conditions.

Recommended minimum heating operating temperature is -4°F.

Power Input = Compressor + Outdoor Fan Motor.

MBH = 1000 BTUs per hour.

HEATING CAPACITY

VPC048H4M-3P

Combination (%)	Outdoor Temperature (°F)		Indoor Temperature - °F Dry Bulb											
			61		65		68		70		72		75	
	Dry Bulb	Wet Bulb	Total Cap.	Power Input	Total Cap.	Power Input	Total Cap.	Power Input	Total Cap.	Power Input	Total Cap.	Power Input	Total Cap.	Power Input
			MBH	kW	MBH	kW	MBH	kW	MBH	kW	MBH	kW	MBH	kW
50%	-13	-14	26.5	4.8	26.3	4.9	26.1	5.0	25.0	4.8	23.9	4.6	22.2	4.3
	-4	-4	30.0	4.8	27.8	4.5	26.1	4.2	25.0	4.1	23.9	3.9	22.2	3.6
	-2	-2	30.0	4.7	27.8	4.3	26.1	4.1	25.0	3.9	23.9	3.8	22.2	3.5
	6	5	30.0	4.1	27.8	3.9	26.1	3.6	25.0	3.5	23.9	3.4	22.2	3.1
	10	8	30.0	3.9	27.8	3.6	26.1	3.4	25.0	3.3	23.9	3.2	22.2	3.0
	13	12	30.0	3.7	27.8	3.4	26.1	3.2	25.0	3.1	23.9	3.0	22.2	2.8
	15	14	30.0	3.6	27.8	3.3	26.1	3.2	25.0	3.0	23.9	2.9	22.2	2.8
	17	15	30.0	3.5	27.8	3.3	26.1	3.1	25.0	3.0	23.9	2.9	22.2	2.7
	19	18	30.0	3.3	27.8	3.1	26.1	3.0	25.0	2.9	23.9	2.8	22.2	2.6
	22	19	30.0	3.1	27.8	2.9	26.1	2.8	25.0	2.7	23.9	2.6	22.2	2.4
	26	22	30.0	2.9	27.8	2.8	26.1	2.6	25.0	2.5	23.9	2.4	22.2	2.3
	30	26	30.0	2.8	27.8	2.6	26.1	2.5	25.0	2.4	23.9	2.3	22.2	2.2
	35	30	30.0	2.6	27.8	2.4	26.1	2.3	25.0	2.2	23.9	2.2	22.2	2.0
	39	34	30.0	2.5	27.8	2.3	26.1	2.2	25.0	2.1	23.9	2.1	22.2	1.9
	44	38	30.0	2.3	27.8	2.2	26.1	2.0	25.0	2.0	23.9	1.9	22.2	1.7
	47	43	30.0	2.1	27.8	1.9	26.1	1.8	25.0	1.8	23.9	1.7	22.2	1.6
	51	45	30.0	2.0	27.8	1.9	26.1	1.8	25.0	1.7	23.9	1.6	22.2	1.5
	54	47	30.0	2.0	27.8	1.8	26.1	1.7	25.0	1.6	23.9	1.6	22.2	1.5
	57	50	30.0	1.9	27.8	1.7	26.1	1.6	25.0	1.6	23.9	1.5	22.2	1.4
	60	53	30.0	1.8	27.8	1.7	26.1	1.6	25.0	1.5	23.9	1.4	22.2	1.3
63	55	30.0	1.7	27.8	1.6	26.1	1.5	25.0	1.4	23.9	1.4	22.2	1.3	
66	58	30.0	1.6	27.8	1.5	26.1	1.4	25.0	1.4	23.9	1.3	22.2	1.2	
69	61	30.0	1.5	27.8	1.4	26.1	1.4	25.0	1.3	23.9	1.3	22.2	1.2	
72	62	30.0	1.5	27.8	1.4	26.1	1.3	25.0	1.3	23.9	1.2	22.2	1.2	
75	64	30.0	1.4	27.8	1.3	26.1	1.3	25.0	1.2	23.9	1.2	22.2	1.1	
78	67	30.0	1.3	27.8	1.2	26.1	1.2	25.0	1.2	23.9	1.1	22.2	1.1	
80	69	30.0	1.3	27.8	1.2	26.1	1.1	25.0	1.1	23.9	1.1	22.2	1.0	

NOTE - All Total Capacity and Power Input Data at 2°F Dry Bulb / 1°F Wet Bulb Outdoor Temperature is simulated at these operating conditions.

Recommended minimum heating operating temperature is -4°F.

Power Input = Compressor + Outdoor Fan Motor.

MBH = 1000 BTUs per hour.

COOLING CAPACITY

VPC060H4M-3P

Combination (%)	Outdoor Temperature °F (Dry Bulb)	Indoor Temperature - °F (Dry Bulb / Wet Bulb)											
		67 / 57		71 / 60		75 / 63		80 / 67		85 / 71		90 / 75	
		Total Cap. MBH	Power Input kW	Total Cap. MBH	Power Input kW	Total Cap. MBH	Power Input kW	Total Cap. MBH	Power Input kW	Total Cap. MBH	Power Input kW	Total Cap. MBH	Power Input kW
130%	5	44.1	1.5	53.6	1.8	62.5	2.2	74.7	2.9	83.2	3.4	87.8	3.6
	10	44.1	1.4	53.6	1.8	62.5	2.2	74.7	2.9	83.2	3.4	87.8	3.6
	14	44.1	1.4	53.6	1.8	62.5	2.2	74.7	2.9	83.2	3.4	87.8	3.6
	18	44.1	1.4	53.6	1.8	62.5	2.2	74.7	2.9	83.2	3.4	87.8	3.6
	23	44.1	1.4	53.6	1.8	62.5	2.2	74.7	2.9	83.2	3.5	87.8	3.6
	28	44.1	1.4	53.6	1.8	62.5	2.1	74.7	2.9	83.2	3.5	87.8	3.6
	32	44.1	1.5	53.6	1.8	62.5	2.2	74.7	3.0	83.2	3.5	87.4	3.6
	36	44.1	1.5	53.6	1.8	62.5	2.2	74.7	3.1	82.5	3.6	87.0	3.6
	39	44.1	1.5	53.6	1.8	62.5	2.3	74.7	3.1	82.1	3.8	85.7	3.8
	43	44.1	1.5	53.6	1.9	62.5	2.3	74.7	3.3	80.9	3.9	84.9	4.0
	46	44.1	1.6	53.6	2.0	62.5	2.5	74.7	3.6	80.0	4.1	83.9	4.2
	50	44.1	1.6	53.6	2.0	62.5	2.6	74.7	3.9	79.0	4.3	82.9	4.4
	54	44.1	1.7	53.6	2.2	62.5	2.8	74.7	4.3	78.0	4.5	81.6	4.6
	57	44.1	1.8	53.6	2.3	62.5	3.1	74.7	4.7	77.0	4.7	80.4	4.8
	61	44.1	1.9	53.6	2.6	62.5	3.4	72.4	4.8	75.8	4.9	79.5	5.0
	64	44.1	2.1	53.6	2.8	62.5	3.7	71.4	5.0	74.6	5.1	78.3	5.2
	68	44.1	2.2	53.6	3.0	62.5	4.0	70.3	5.2	73.6	5.3	76.9	5.4
	70	44.1	2.3	53.6	3.1	62.5	4.2	69.8	5.3	72.9	5.4	76.3	5.5
	73	44.1	2.5	53.6	3.4	62.5	4.5	68.6	5.5	71.9	5.6	75.1	5.7
	77	44.1	2.7	53.6	3.6	62.5	4.9	67.5	5.7	70.7	5.8	73.9	5.9
	81	44.1	2.9	53.6	3.9	62.5	5.4	66.4	5.9	69.6	6.0	72.9	6.1
84	44.1	3.1	53.6	4.3	62.5	5.8	65.3	6.1	68.4	6.2	71.6	6.3	
88	44.1	3.4	53.6	4.6	60.9	6.1	63.9	6.3	67.1	6.4	70.2	6.6	
91	44.1	3.6	53.6	5.0	59.7	6.4	62.8	6.5	65.8	6.6	68.7	6.8	
95	44.1	3.9	53.6	5.5	58.6	6.6	61.6	6.7	64.4	6.9	67.4	7.0	
99	44.1	4.2	53.6	6.0	57.4	6.8	60.3	7.0	63.1	7.1	65.5	7.0	
102	44.1	4.6	53.6	6.5	56.2	7.0	58.7	7.1	61.0	7.2	62.7	6.8	
106	44.1	5.0	53.6	7.2	54.5	7.2	55.8	6.7	57.2	6.4	58.7	6.0	
109	44.1	5.4	49.3	6.6	50.2	6.2	51.4	5.8	52.1	5.4	53.4	5.1	
113	44.1	5.9	44.7	5.7	45.4	5.3	46.4	5.0	47.1	4.7	48.1	4.4	
118	36.6	4.8	37.5	4.6	38.5	4.4	38.8	4.1	40.1	3.9	40.7	3.6	
122	31.5	4.1	31.8	3.8	33.1	3.7	32.9	3.4	35.1	3.4	35.3	3.1	
120%	5	40.7	1.3	49.4	1.6	57.7	1.9	69.0	2.5	80.8	3.3	85.1	3.5
	10	40.7	1.3	49.4	1.6	57.7	1.9	69.0	2.5	80.8	3.3	85.1	3.5
	14	40.7	1.3	49.4	1.6	57.7	1.9	69.0	2.5	80.8	3.3	85.1	3.5
	18	40.7	1.3	49.4	1.6	57.7	1.9	69.0	2.5	80.8	3.3	85.1	3.5
	23	40.7	1.3	49.4	1.6	57.7	1.9	69.0	2.4	80.8	3.5	85.1	3.5
	28	40.7	1.3	49.4	1.6	57.7	1.9	69.0	2.6	80.8	3.4	85.1	3.5
	32	40.7	1.3	49.4	1.6	57.7	1.9	69.0	2.6	80.8	3.4	85.1	3.5
	36	40.7	1.4	49.4	1.7	57.7	1.9	69.0	2.6	80.8	3.4	85.1	3.6
	39	40.7	1.4	49.4	1.7	57.7	2.0	69.0	2.7	80.8	3.6	84.1	3.8
	43	40.7	1.4	49.4	1.7	57.7	2.1	69.0	2.7	80.8	4.0	83.0	4.0
	46	40.7	1.4	49.4	1.8	57.7	2.1	69.0	2.9	78.4	4.1	82.0	4.2
	50	40.7	1.4	49.4	1.8	57.7	2.2	69.0	3.2	77.4	4.3	81.0	4.4
	54	40.7	1.5	49.4	1.9	57.7	2.4	69.0	3.5	76.5	4.5	79.9	4.6
	57	40.7	1.5	49.4	2.0	57.7	2.6	69.0	3.8	75.5	4.7	78.9	4.7
	61	40.7	1.7	49.4	2.2	57.7	2.8	69.0	4.2	74.4	4.8	77.9	4.9
	64	40.7	1.8	49.4	2.4	57.7	3.1	69.0	4.5	73.3	5.0	76.8	5.1
	68	40.7	2.0	49.4	2.6	57.7	3.4	69.0	4.9	72.3	5.2	75.5	5.3
	70	40.7	2.1	49.4	2.7	57.7	3.5	69.0	5.1	71.9	5.3	75.1	5.4
	73	40.7	2.2	49.4	2.9	57.7	3.8	67.5	5.4	70.7	5.5	74.0	5.6
	77	40.7	2.4	49.4	3.2	57.7	4.1	66.4	5.6	69.6	5.7	72.8	5.8
	81	40.7	2.6	49.4	3.4	57.7	4.5	65.3	5.8	68.2	5.9	71.5	6.0
84	40.7	2.8	49.4	3.7	57.7	4.8	64.2	6.0	67.0	6.1	70.2	6.3	
88	40.7	3.0	49.4	4.0	57.7	5.3	62.9	6.2	66.1	6.4	68.9	6.5	
91	40.7	3.2	49.4	4.3	57.7	5.7	61.8	6.5	64.8	6.6	67.8	6.7	
95	40.7	3.5	49.4	4.7	57.7	6.3	60.5	6.7	63.5	6.8	66.5	7.0	
99	40.7	3.7	49.4	5.1	57.7	6.9	59.3	6.9	62.2	7.1	64.7	7.2	
102	40.7	4.0	49.4	5.5	55.4	7.0	57.9	7.1	60.4	7.1	61.9	6.8	
106	40.7	4.4	49.4	6.0	53.7	7.1	55.4	6.9	56.5	6.4	57.5	5.9	
109	40.7	4.7	49.4	6.6	50.0	6.4	50.9	5.9	52.5	5.6	53.4	5.2	
113	40.7	5.1	44.4	5.8	45.3	5.5	46.1	5.1	46.9	4.7	48.1	4.5	
118	36.5	4.8	37.0	4.6	38.5	4.5	38.9	4.2	39.6	3.9	40.2	3.6	
122	31.7	4.2	32.0	3.9	33.3	3.8	34.4	3.7	34.7	3.4	34.9	3.1	

NOTE - Power Input = Compressor + Outdoor Fan Motor.
 MBH = 1000 BTUs per hour.

COOLING CAPACITY

VPC060H4M-3P

Combination (%)	Outdoor Temperature °F (Dry Bulb)	Indoor Temperature - °F (Dry Bulb / Wet Bulb)											
		67 / 57		71 / 60		75 / 63		80 / 67		85 / 71		90 / 75	
		Total Cap. MBH	Power Input kW	Total Cap. MBH	Power Input kW	Total Cap. MBH	Power Input kW	Total Cap. MBH	Power Input kW	Total Cap. MBH	Power Input kW	Total Cap. MBH	Power Input kW
110%	5	37.3	1.2	45.3	1.6	52.9	1.7	63.2	2.2	74.1	2.7	84.5	3.4
	10	37.3	1.2	45.3	1.6	52.9	1.7	63.2	2.2	74.1	2.7	84.5	3.4
	14	37.3	1.2	45.3	1.6	52.9	1.7	63.2	2.2	74.1	2.7	84.5	3.4
	18	37.3	1.2	45.3	1.6	52.9	1.7	63.2	2.2	74.1	2.7	84.5	3.4
	23	37.3	1.2	45.3	1.6	52.9	1.7	63.2	2.2	74.1	2.7	84.5	3.4
	28	37.3	1.2	45.3	1.6	52.9	1.7	63.2	2.1	74.1	2.7	84.5	3.6
	32	37.3	1.2	45.3	1.5	52.9	1.7	63.2	2.1	74.1	2.8	84.5	3.6
	36	37.3	1.2	45.3	1.6	52.9	1.7	63.2	2.2	74.1	2.9	82.5	3.6
	39	37.3	1.3	45.3	1.5	52.9	1.8	63.2	2.3	74.1	3.1	82.2	3.8
	43	37.3	1.2	45.3	1.6	52.9	1.8	63.2	2.3	74.1	3.1	81.2	3.9
	46	37.3	1.3	45.3	1.5	52.9	1.9	63.2	2.4	74.1	3.4	80.2	4.1
	50	37.3	1.3	45.3	1.6	52.9	2.0	63.2	2.5	74.1	3.7	79.3	4.3
	54	37.3	1.3	45.3	1.7	52.9	2.0	63.2	2.8	74.1	4.1	78.2	4.5
	57	37.3	1.4	45.3	1.8	52.9	2.2	63.2	3.1	74.1	4.5	77.2	4.7
	61	37.3	1.4	45.3	1.9	52.9	2.4	63.2	3.4	74.1	4.9	76.1	4.9
	64	37.3	1.6	45.3	2.1	52.9	2.6	63.2	3.7	71.9	5.0	75.2	5.1
	68	37.3	1.7	45.3	2.3	52.9	2.8	63.2	4.0	70.8	5.2	74.0	5.3
	70	37.3	1.8	45.3	2.4	52.9	3.0	63.2	4.2	70.2	5.3	73.6	5.4
	73	37.3	2.0	45.3	2.5	52.9	3.2	63.2	4.5	69.2	5.5	72.3	5.6
	77	37.3	2.1	45.3	2.7	52.9	3.5	63.2	4.9	68.1	5.7	71.2	5.8
	81	37.3	2.3	45.3	3.0	52.9	3.7	63.2	5.3	67.0	5.9	70.0	6.0
	84	37.3	2.5	45.3	3.2	52.9	4.0	63.2	5.8	65.8	6.1	68.8	6.2
88	37.3	2.6	45.3	3.4	52.9	4.4	61.9	6.2	64.7	6.3	67.7	6.4	
91	37.3	2.8	45.3	3.7	52.9	4.8	60.6	6.4	63.4	6.5	66.4	6.7	
95	37.3	3.1	45.3	4.0	52.9	5.2	59.5	6.6	62.3	6.8	65.1	6.9	
99	37.3	3.3	45.3	4.3	52.9	5.6	58.2	6.9	61.0	7.0	63.8	7.2	
102	37.3	3.5	45.3	4.7	52.9	6.2	57.1	7.1	59.5	7.1	61.6	7.1	
106	37.3	3.8	45.3	5.1	52.9	6.8	55.2	7.1	56.1	6.6	57.7	6.3	
109	37.3	4.1	45.3	5.5	49.6	6.5	50.7	6.1	52.1	5.7	52.5	5.2	
113	37.3	4.5	44.3	5.9	45.0	5.6	45.8	5.2	47.0	4.9	47.8	4.6	
118	36.3	4.9	36.9	4.6	37.4	4.4	38.3	4.2	39.6	4.0	39.6	3.6	
122	31.2	4.1	32.1	4.0	32.3	3.7	33.4	3.6	34.3	3.4	34.5	3.1	
100%	5	33.9	0.9	41.2	1.3	48.1	1.5	57.5	1.7	67.4	2.2	76.8	2.7
	10	33.9	0.9	41.2	1.3	48.1	1.5	57.5	1.7	67.4	2.2	76.8	2.7
	14	33.9	1.0	41.2	1.3	48.1	1.5	57.5	1.7	67.4	2.2	76.8	2.8
	18	33.9	1.1	41.2	1.3	48.1	1.5	57.5	1.7	67.4	2.2	76.8	2.9
	23	33.9	1.1	41.2	1.3	48.1	1.5	57.5	1.7	67.4	2.3	76.8	3.0
	28	33.9	1.1	41.2	1.3	48.1	1.6	57.5	1.9	67.4	2.3	76.8	2.9
	32	33.9	1.1	41.2	1.3	48.1	1.6	57.5	2.0	67.4	2.3	76.8	3.0
	36	33.9	1.1	41.2	1.3	48.1	1.6	57.5	2.0	67.4	2.4	76.8	3.0
	39	33.9	1.1	41.2	1.4	48.1	1.6	57.5	1.9	67.4	2.4	76.8	3.1
	43	33.9	1.1	41.2	1.3	48.1	1.6	57.5	2.0	67.4	2.6	76.8	3.3
	46	33.9	1.1	41.2	1.4	48.1	1.6	57.5	2.1	67.4	2.6	76.8	3.7
	50	33.9	1.1	41.2	1.4	48.1	1.7	57.5	2.1	67.4	2.9	76.8	4.0
	54	33.9	1.2	41.2	1.4	48.1	1.7	57.5	2.3	67.4	3.2	76.8	4.3
	57	33.9	1.2	41.2	1.5	48.1	1.9	57.5	2.5	67.4	3.5	75.2	4.7
	61	33.9	1.3	41.2	1.6	48.1	2.0	57.5	2.7	67.4	3.8	74.2	4.8
	64	33.9	1.4	41.2	1.8	48.1	2.2	57.5	3.0	67.4	4.2	73.2	5.0
	68	33.9	1.5	41.2	1.9	48.1	2.4	57.5	3.2	67.4	4.5	72.2	5.2
	70	33.9	1.6	41.2	2.0	48.1	2.5	57.5	3.4	67.4	4.7	71.7	5.3
	73	33.9	1.7	41.2	2.2	48.1	2.7	57.5	3.6	67.4	5.1	70.6	5.5
	77	33.9	1.8	41.2	2.4	48.1	2.9	57.5	4.0	67.4	5.6	69.5	5.7
	81	33.9	2.0	41.2	2.6	48.1	3.2	57.5	4.3	65.4	5.8	68.5	5.9
	84	33.9	2.1	41.2	2.8	48.1	3.4	57.5	4.7	64.3	6.0	67.4	6.1
88	33.9	2.3	41.2	3.0	48.1	3.7	57.5	5.1	63.2	6.2	66.1	6.4	
91	33.9	2.5	41.2	3.2	48.1	4.0	57.5	5.5	62.1	6.5	64.9	6.6	
95	33.9	2.7	41.2	3.4	48.1	4.3	57.5	6.1	61.0	6.7	63.7	6.8	
99	33.9	2.9	41.2	3.7	48.1	4.7	57.5	6.7	59.8	6.9	62.5	7.1	
102	33.9	3.1	41.2	4.0	48.1	5.1	55.9	7.0	58.3	7.1	60.8	7.1	
106	33.9	3.3	41.2	4.3	48.1	5.5	54.3	7.1	55.7	6.7	57.2	6.4	
109	33.9	3.6	41.2	4.7	48.1	6.1	50.3	6.2	51.4	5.8	52.8	5.5	
113	33.9	3.9	41.2	5.1	44.7	5.7	45.6	5.3	46.7	5.0	47.9	4.8	
118	33.9	4.4	36.8	4.7	37.7	4.6	38.2	4.2	39.5	4.1	40.2	3.8	
122	31.2	4.2	32.1	4.1	32.3	3.8	33.4	3.7	33.7	3.4	33.9	3.1	

NOTE - Power Input = Compressor + Outdoor Fan Motor.
MBH = 1000 BTUs per hour.

COOLING CAPACITY

VPC060H4M-3P

Combination (%)	Outdoor Temperature °F (Dry Bulb)	Indoor Temperature - °F (Dry Bulb / Wet Bulb)											
		67 / 57		71 / 60		75 / 63		80 / 67		85 / 71		90 / 75	
		Total Cap. MBH	Power Input kW	Total Cap. MBH	Power Input kW	Total Cap. MBH	Power Input kW	Total Cap. MBH	Power Input kW	Total Cap. MBH	Power Input kW	Total Cap. MBH	Power Input kW
90%	5	30.5	0.8	37.1	1.0	43.3	1.3	51.7	1.6	60.6	1.8	69.1	2.2
	10	30.5	0.8	37.1	1.2	43.3	1.3	51.7	1.6	60.6	1.8	69.1	2.2
	14	30.5	0.8	37.1	1.2	43.3	1.3	51.7	1.6	60.6	1.8	69.1	2.2
	18	30.5	0.8	37.1	1.2	43.3	1.3	51.7	1.6	60.6	1.8	69.1	2.2
	23	30.5	1.0	37.1	1.2	43.3	1.3	51.7	1.6	60.6	1.8	69.1	2.3
	28	30.5	1.0	37.1	1.2	43.3	1.4	51.7	1.7	60.6	2.0	69.1	2.4
	32	30.5	1.0	37.1	1.2	43.3	1.4	51.7	1.7	60.6	2.0	69.1	2.4
	36	30.5	1.0	37.1	1.2	43.3	1.4	51.7	1.7	60.6	2.1	69.1	2.4
	39	30.5	1.0	37.1	1.2	43.3	1.4	51.7	1.7	60.6	2.0	69.1	2.5
	43	30.5	1.0	37.1	1.2	43.3	1.4	51.7	1.7	60.6	2.1	69.1	2.6
	46	30.5	1.0	37.1	1.2	43.3	1.4	51.7	1.7	60.6	2.2	69.1	2.7
	50	30.5	1.0	37.1	1.2	43.3	1.4	51.7	1.8	60.6	2.3	69.1	3.0
	54	30.5	1.0	37.1	1.2	43.3	1.5	51.7	1.9	60.6	2.5	69.1	3.3
	57	30.5	1.0	37.1	1.3	43.3	1.6	51.7	2.1	60.6	2.7	69.1	3.6
	61	30.5	1.1	37.1	1.4	43.3	1.7	51.7	2.2	60.6	3.0	69.1	3.9
	64	30.5	1.2	37.1	1.5	43.3	1.9	51.7	2.5	60.6	3.2	69.1	4.3
	68	30.5	1.3	37.1	1.7	43.3	2.0	51.7	2.7	60.6	3.6	69.1	4.7
	70	30.5	1.4	37.1	1.7	43.3	2.1	51.7	2.8	60.6	3.7	69.1	4.9
	73	30.5	1.5	37.1	1.9	43.3	2.3	51.7	3.0	60.6	4.0	69.1	5.3
	77	30.5	1.6	37.1	2.0	43.3	2.5	51.7	3.2	60.6	4.4	67.6	5.6
	81	30.5	1.7	37.1	2.2	43.3	2.7	51.7	3.5	60.6	4.7	66.6	5.9
84	30.5	1.9	37.1	2.4	43.3	2.9	51.7	3.8	60.6	5.1	65.5	6.1	
88	30.5	2.0	37.1	2.5	43.3	3.1	51.7	4.1	60.6	5.6	64.4	6.3	
91	30.5	2.2	37.1	2.7	43.3	3.4	51.7	4.4	60.6	6.2	63.3	6.5	
95	30.5	2.3	37.1	3.0	43.3	3.6	51.7	4.8	59.3	6.6	62.1	6.7	
99	30.5	2.5	37.1	3.2	43.3	3.9	51.7	5.2	58.2	6.8	60.9	7.0	
102	30.5	2.7	37.1	3.4	43.3	4.2	51.7	5.7	57.1	7.1	59.5	7.1	
106	30.5	2.9	37.1	3.7	43.3	4.6	51.7	6.3	55.1	7.0	56.3	6.5	
109	30.5	3.1	37.1	4.0	43.3	4.9	49.8	6.4	50.8	6.0	51.8	5.6	
113	30.5	3.4	37.1	4.3	43.3	5.4	45.4	5.5	46.3	5.2	47.1	4.8	
118	30.5	3.8	37.1	4.9	37.1	4.6	37.8	4.3	38.6	4.1	39.3	3.8	
122	30.5	4.1	31.7	4.1	32.2	3.9	32.8	3.6	33.7	3.5	35.2	3.4	
80%	5	27.1	0.7	33.0	0.9	38.4	1.2	46.0	1.5	53.9	1.6	61.4	1.9
	10	27.1	0.8	33.0	0.9	38.4	1.3	46.0	1.5	53.9	1.6	61.4	1.9
	14	27.1	0.7	33.0	0.9	38.4	1.2	46.0	1.5	53.9	1.6	61.4	1.9
	18	27.1	0.7	33.0	1.0	38.4	1.2	46.0	1.5	53.9	1.6	61.4	1.9
	23	27.1	0.7	33.0	1.1	38.4	1.2	46.0	1.5	53.9	1.6	61.4	1.9
	28	27.1	0.8	33.0	1.1	38.4	1.2	46.0	1.5	53.9	1.6	61.4	1.9
	32	27.1	0.8	33.0	1.1	38.4	1.2	46.0	1.5	53.9	1.6	61.4	1.9
	36	27.1	0.8	33.0	1.1	38.4	1.2	46.0	1.5	53.9	1.8	61.4	1.9
	39	27.1	0.8	33.0	1.1	38.4	1.2	46.0	1.5	53.9	1.7	61.4	2.0
	43	27.1	0.9	33.0	1.1	38.4	1.2	46.0	1.5	53.9	1.8	61.4	2.1
	46	27.1	0.9	33.0	1.1	38.4	1.2	46.0	1.5	53.9	1.8	61.4	2.2
	50	27.1	0.9	33.0	1.1	38.4	1.2	46.0	1.6	53.9	1.9	61.4	2.3
	54	27.1	0.9	33.0	1.1	38.4	1.3	46.0	1.6	53.9	2.0	61.4	2.5
	57	27.1	0.9	33.0	1.1	38.4	1.3	46.0	1.7	53.9	2.2	61.4	2.7
	61	27.1	0.9	33.0	1.2	38.4	1.4	46.0	1.8	53.9	2.4	61.4	3.0
	64	27.1	1.0	33.0	1.3	38.4	1.6	46.0	2.0	53.9	2.6	61.4	3.2
	68	27.1	1.1	33.0	1.4	38.4	1.7	46.0	2.2	53.9	2.8	61.4	3.5
	70	27.1	1.2	33.0	1.5	38.4	1.8	46.0	2.3	53.9	2.9	61.4	3.7
	73	27.1	1.3	33.0	1.6	38.4	1.9	46.0	2.5	53.9	3.2	61.4	4.0
	77	27.1	1.4	33.0	1.7	38.4	2.1	46.0	2.7	53.9	3.4	61.4	4.4
	81	27.1	1.5	33.0	1.9	38.4	2.3	46.0	2.9	53.9	3.7	61.4	4.7
84	27.1	1.6	33.0	2.0	38.4	2.4	46.0	3.1	53.9	4.0	61.4	5.1	
88	27.1	1.7	33.0	2.2	38.4	2.6	46.0	3.3	53.9	4.3	61.4	5.6	
91	27.1	1.9	33.0	2.3	38.4	2.8	46.0	3.6	53.9	4.7	61.4	6.2	
95	27.1	2.0	33.0	2.5	38.4	3.0	46.0	3.9	53.9	5.1	60.1	6.6	
99	27.1	2.2	33.0	2.7	38.4	3.3	46.0	4.2	53.9	5.6	59.1	6.9	
102	27.1	2.3	33.0	2.9	38.4	3.5	46.0	4.5	53.9	6.1	57.9	7.1	
106	27.1	2.5	33.0	3.1	38.4	3.8	46.0	4.9	53.9	6.8	55.6	6.9	
109	27.1	2.7	33.0	3.4	38.4	4.1	46.0	5.4	50.4	6.3	51.3	5.9	
113	27.1	2.9	33.0	3.7	38.4	4.5	44.9	5.7	45.8	5.4	46.6	5.0	
118	27.1	3.3	33.0	4.1	36.9	4.7	37.6	4.4	38.1	4.1	38.8	3.9	
122	27.1	3.5	31.4	4.2	31.9	4.0	32.5	3.7	32.9	3.5	34.4	3.4	

NOTE - Power Input = Compressor + Outdoor Fan Motor.
 MBH = 1000 BTUs per hour.

COOLING CAPACITY

VPC060H4M-3P

Combination (%)	Outdoor Temperature °F (Dry Bulb)	Indoor Temperature - °F (Dry Bulb / Wet Bulb)											
		67 / 57		71 / 60		75 / 63		80 / 67		85 / 71		90 / 75	
		Total Cap. MBH	Power Input kW	Total Cap. MBH	Power Input kW	Total Cap. MBH	Power Input kW	Total Cap. MBH	Power Input kW	Total Cap. MBH	Power Input kW	Total Cap. MBH	Power Input kW
70%	5	23.7	0.6	28.8	0.8	33.6	0.9	40.2	1.2	47.2	1.3	53.8	1.6
	10	23.7	0.6	28.8	0.8	33.6	0.9	40.2	1.2	47.2	1.3	53.8	1.6
	14	23.7	0.6	28.8	0.8	33.6	0.9	40.2	1.2	47.2	1.3	53.8	1.6
	18	23.7	0.7	28.8	0.8	33.6	1.0	40.2	1.2	47.2	1.3	53.8	1.6
	23	23.7	0.7	28.8	0.8	33.6	1.0	40.2	1.2	47.2	1.3	53.8	1.6
	28	23.7	0.7	28.8	0.8	33.6	1.0	40.2	1.2	47.2	1.3	53.8	1.6
	32	23.7	0.7	28.8	0.8	33.6	1.0	40.2	1.2	47.2	1.3	53.8	1.6
	36	23.7	0.7	28.8	0.8	33.6	1.0	40.2	1.2	47.2	1.4	53.8	1.7
	39	23.7	0.7	28.8	0.8	33.6	1.0	40.2	1.2	47.2	1.5	53.8	1.7
	43	23.7	0.7	28.8	0.9	33.6	1.0	40.2	1.2	47.2	1.4	53.8	1.7
	46	23.7	0.7	28.8	0.9	33.6	1.0	40.2	1.2	47.2	1.5	53.8	1.8
	50	23.7	0.7	28.8	0.9	33.6	1.1	40.2	1.3	47.2	1.5	53.8	1.8
	54	23.7	0.7	28.8	0.9	33.6	1.1	40.2	1.3	47.2	1.6	53.8	1.9
	57	23.7	0.7	28.8	0.9	33.6	1.1	40.2	1.4	47.2	1.7	53.8	2.1
	61	23.7	0.8	28.8	1.0	33.6	1.2	40.2	1.5	47.2	1.9	53.8	2.3
	64	23.7	0.8	28.8	1.0	33.6	1.3	40.2	1.6	47.2	2.0	53.8	2.5
	68	23.7	0.9	28.8	1.2	33.6	1.4	40.2	1.8	47.2	2.2	53.8	2.7
	70	23.7	1.0	28.8	1.2	33.6	1.5	40.2	1.8	47.2	2.3	53.8	2.8
	73	23.7	1.1	28.8	1.3	33.6	1.6	40.2	2.0	47.2	2.5	53.8	3.1
	77	23.7	1.2	28.8	1.4	33.6	1.7	40.2	2.2	47.2	2.7	53.8	3.3
81	23.7	1.3	28.8	1.6	33.6	1.9	40.2	2.3	47.2	2.9	53.8	3.6	
84	23.7	1.4	28.8	1.7	33.6	2.0	40.2	2.5	47.2	3.2	53.8	3.9	
88	23.7	1.5	28.8	1.8	33.6	2.2	40.2	2.7	47.2	3.4	53.8	4.2	
91	23.7	1.6	28.8	2.0	33.6	2.3	40.2	2.9	47.2	3.7	53.8	4.6	
95	23.7	1.7	28.8	2.1	33.6	2.5	40.2	3.2	47.2	4.0	53.8	4.9	
99	23.7	1.8	28.8	2.3	33.6	2.7	40.2	3.4	47.2	4.3	53.8	5.4	
102	23.7	2.0	28.8	2.4	33.6	2.9	40.2	3.7	47.2	4.7	53.8	5.9	
106	23.7	2.1	28.8	2.6	33.6	3.2	40.2	4.0	47.2	5.1	53.8	6.5	
109	23.7	2.3	28.8	2.8	33.6	3.4	40.2	4.3	47.2	5.5	50.5	6.2	
113	23.7	2.5	28.8	3.1	33.6	3.7	40.2	4.7	45.2	5.6	46.2	5.3	
118	23.7	2.8	28.8	3.4	33.6	4.1	37.3	4.6	38.0	4.4	38.6	4.1	
122	23.7	3.0	28.8	3.7	31.6	4.1	32.3	3.9	33.5	3.7	34.0	3.5	
60%	5	20.3	0.6	24.7	0.7	28.8	0.8	34.5	0.9	40.4	1.2	46.1	1.4
	10	20.3	0.6	24.7	0.7	28.8	0.8	34.5	0.9	40.4	1.2	46.1	1.4
	14	20.3	0.6	24.7	0.7	28.8	0.8	34.5	0.9	40.4	1.2	46.1	1.4
	18	20.3	0.6	24.7	0.7	28.8	0.8	34.5	1.0	40.4	1.2	46.1	1.4
	23	20.3	0.6	24.7	0.7	28.8	0.8	34.5	1.0	40.4	1.2	46.1	1.4
	28	20.3	0.6	24.7	0.7	28.8	0.8	34.5	1.0	40.4	1.2	46.1	1.4
	32	20.3	0.6	24.7	0.7	28.8	0.8	34.5	1.0	40.4	1.2	46.1	1.4
	36	20.3	0.6	24.7	0.7	28.8	0.8	34.5	1.0	40.4	1.2	46.1	1.4
	39	20.3	0.6	24.7	0.7	28.8	0.8	34.5	1.0	40.4	1.2	46.1	1.4
	43	20.3	0.6	24.7	0.7	28.8	0.8	34.5	1.0	40.4	1.2	46.1	1.4
	46	20.3	0.6	24.7	0.7	28.8	0.8	34.5	1.0	40.4	1.2	46.1	1.4
	50	20.3	0.6	24.7	0.7	28.8	0.8	34.5	1.0	40.4	1.2	46.1	1.5
	54	20.3	0.6	24.7	0.7	28.8	0.8	34.5	1.0	40.4	1.2	46.1	1.5
	57	20.3	0.6	24.7	0.8	28.8	0.9	34.5	1.1	40.4	1.4	46.1	1.6
	61	20.3	0.6	24.7	0.8	28.8	0.9	34.5	1.2	40.4	1.4	46.1	1.7
	64	20.3	0.7	24.7	0.8	28.8	1.0	34.5	1.3	40.4	1.6	46.1	1.9
	68	20.3	0.7	24.7	0.9	28.8	1.1	34.5	1.4	40.4	1.7	46.1	2.1
	70	20.3	0.8	24.7	1.0	28.8	1.2	34.5	1.5	40.4	1.8	46.1	2.2
	73	20.3	0.9	24.7	1.1	28.8	1.3	34.5	1.6	40.4	2.0	46.1	2.4
	77	20.3	1.0	24.7	1.2	28.8	1.4	34.5	1.7	40.4	2.1	46.1	2.6
81	20.3	1.1	24.7	1.3	28.8	1.5	34.5	1.9	40.4	2.3	46.1	2.8	
84	20.3	1.2	24.7	1.4	28.8	1.7	34.5	2.0	40.4	2.5	46.1	3.0	
88	20.3	1.2	24.7	1.5	28.8	1.8	34.5	2.2	40.4	2.7	46.1	3.2	
91	20.3	1.3	24.7	1.6	28.8	1.9	34.5	2.4	40.4	2.9	46.1	3.5	
95	20.3	1.4	24.7	1.8	28.8	2.1	34.5	2.5	40.4	3.1	46.1	3.8	
99	20.3	1.6	24.7	1.9	28.8	2.2	34.5	2.7	40.4	3.4	46.1	4.1	
102	20.3	1.7	24.7	2.0	28.8	2.4	34.5	3.0	40.4	3.7	46.1	4.4	
106	20.3	1.8	24.7	2.2	28.8	2.6	34.5	3.2	40.4	4.0	46.1	4.8	
109	20.3	1.9	24.7	2.4	28.8	2.8	34.5	3.4	40.4	4.3	46.1	5.2	
113	20.3	2.1	24.7	2.5	28.8	3.0	34.5	3.7	40.4	4.6	46.1	5.7	
118	20.3	2.3	24.7	2.8	28.8	3.4	34.5	4.2	37.4	4.6	38.1	4.3	
122	20.3	2.5	24.7	3.1	28.8	3.7	31.9	4.0	32.4	3.8	33.1	3.6	

NOTE - Power Input = Compressor + Outdoor Fan Motor.
MBH = 1000 BTUs per hour.

COOLING CAPACITY

VPC060H4M-3P

Combination (%)	Outdoor Temperature °F (Dry Bulb)	Indoor Temperature - °F (Dry Bulb / Wet Bulb)											
		67 / 57		71 / 60		75 / 63		80 / 67		85 / 71		90 / 75	
		Total Cap. MBH	Power Input kW	Total Cap. MBH	Power Input kW	Total Cap. MBH	Power Input kW	Total Cap. MBH	Power Input kW	Total Cap. MBH	Power Input kW	Total Cap. MBH	Power Input kW
50%	5	16.9	0.5	20.6	0.6	24.0	0.7	28.7	0.8	33.7	0.9	38.4	1.0
	10	16.9	0.5	20.6	0.6	24.0	0.7	28.7	0.8	33.7	0.9	38.4	1.0
	14	16.9	0.5	20.6	0.6	24.0	0.7	28.7	0.8	33.7	0.9	38.4	1.0
	18	16.9	0.5	20.6	0.6	24.0	0.7	28.7	0.8	33.7	0.9	38.4	1.0
	23	16.9	0.5	20.6	0.6	24.0	0.7	28.7	0.8	33.7	0.9	38.4	1.0
	28	16.9	0.5	20.6	0.6	24.0	0.7	28.7	0.8	33.7	0.9	38.4	1.0
	32	16.9	0.5	20.6	0.6	24.0	0.7	28.7	0.9	33.7	0.9	38.4	1.0
	36	16.9	0.5	20.6	0.6	24.0	0.7	28.7	0.9	33.7	0.9	38.4	1.0
	39	16.9	0.5	20.6	0.6	24.0	0.7	28.7	0.9	33.7	0.9	38.4	1.0
	43	16.9	0.5	20.6	0.6	24.0	0.7	28.7	0.9	33.7	0.9	38.4	1.1
	46	16.9	0.6	20.6	0.6	24.0	0.7	28.7	0.8	33.7	0.9	38.4	1.1
	50	16.9	0.5	20.6	0.6	24.0	0.6	28.7	0.9	33.7	0.9	38.4	1.1
	54	16.9	0.5	20.6	0.6	24.0	0.6	28.7	0.8	33.7	1.0	38.4	1.2
	57	16.9	0.5	20.6	0.6	24.0	0.7	28.7	0.9	33.7	1.0	38.4	1.2
	61	16.9	0.6	20.6	0.6	24.0	0.7	28.7	0.9	33.7	1.1	38.4	1.3
	64	16.9	0.6	20.6	0.7	24.0	0.8	28.7	1.0	33.7	1.2	38.4	1.4
	68	16.9	0.6	20.6	0.7	24.0	0.8	28.7	1.1	33.7	1.3	38.4	1.6
	70	16.9	0.6	20.6	0.7	24.0	0.9	28.7	1.1	33.7	1.4	38.4	1.6
	73	16.9	0.7	20.6	0.9	24.0	1.0	28.7	1.2	33.7	1.5	38.4	1.8
	77	16.9	0.8	20.6	1.0	24.0	1.1	28.7	1.4	33.7	1.6	38.4	1.9
81	16.9	0.9	20.6	1.1	24.0	1.2	28.7	1.5	33.7	1.8	38.4	2.1	
84	16.9	1.0	20.6	1.1	24.0	1.3	28.7	1.6	33.7	1.9	38.4	2.3	
88	16.9	1.0	20.6	1.2	24.0	1.4	28.7	1.7	33.7	2.1	38.4	2.4	
91	16.9	1.1	20.6	1.3	24.0	1.5	28.7	1.9	33.7	2.2	38.4	2.6	
95	16.9	1.2	20.6	1.4	24.0	1.7	28.7	2.0	33.7	2.4	38.4	2.8	
99	16.9	1.3	20.6	1.5	24.0	1.8	28.7	2.2	33.7	2.6	38.4	3.1	
102	16.9	1.4	20.6	1.7	24.0	1.9	28.7	2.3	33.7	2.8	38.4	3.3	
106	16.9	1.5	20.6	1.8	24.0	2.1	28.7	2.5	33.7	3.0	38.4	3.6	
109	16.9	1.6	20.6	1.9	24.0	2.2	28.7	2.7	33.7	3.3	38.4	3.9	
113	16.9	1.7	20.6	2.1	24.0	2.4	28.7	2.9	33.7	3.5	38.4	4.2	
118	16.9	1.9	20.6	2.3	24.0	2.7	28.7	3.3	33.7	4.0	37.4	4.6	
122	16.9	2.1	20.6	2.4	24.0	2.9	28.7	3.6	31.9	4.0	32.6	3.8	

NOTE - Power Input = Compressor + Outdoor Fan Motor.
 MBH = 1000 BTUs per hour.

HEATING CAPACITY

VPC060H4M-3P

Combination (%)	Outdoor Temperature (°F)		Indoor Temperature - °F Dry Bulb											
			61		65		68		70		72		75	
	Dry Bulb	Wet Bulb	Total Cap.	Power Input	Total Cap.	Power Input	Total Cap.	Power Input	Total Cap.	Power Input	Total Cap.	Power Input	Total Cap.	Power Input
			MBH	kW	MBH	kW	MBH	kW	MBH	kW	MBH	kW	MBH	kW
130%	-13	-14	29.1	3.8	28.8	3.9	28.5	4.0	28.4	4.1	28.2	4.2	28.0	4.3
	-4	-4	34.7	4.1	34.4	4.2	34.1	4.3	33.9	4.4	33.7	4.5	33.5	4.6
	-2	-2	35.8	4.1	35.4	4.2	35.1	4.4	35.0	4.4	34.8	4.5	34.5	4.6
	6	5	40.2	4.3	39.8	4.4	39.5	4.5	39.3	4.6	39.1	4.7	38.8	4.8
	10	8	42.4	4.4	42.0	4.5	41.6	4.6	41.4	4.7	41.2	4.8	40.9	4.9
	13	12	44.7	4.4	44.3	4.6	43.9	4.7	43.7	4.8	43.5	4.9	43.1	5.0
	15	14	46.0	4.5	45.6	4.6	45.2	4.8	45.0	4.9	44.8	4.9	44.4	5.1
	17	15	47.0	4.5	46.5	4.7	46.1	4.8	45.9	4.9	45.7	5.0	45.3	5.1
	19	18	48.6	4.6	48.2	4.7	47.8	4.9	47.6	5.0	47.3	5.0	47.0	5.2
	22	19	49.1	4.6	48.6	4.7	48.3	4.9	48.0	5.0	47.8	5.0	47.4	5.2
	26	22	51.6	4.7	51.1	4.8	50.8	5.0	50.5	5.0	50.3	5.1	49.9	5.3
	30	26	54.1	4.7	53.6	4.9	53.2	5.0	52.9	5.1	52.7	5.2	52.3	5.4
	35	30	57.3	4.8	56.8	5.0	56.4	5.2	56.1	5.2	55.8	5.3	55.4	5.5
	39	34	59.8	4.9	59.3	5.1	58.9	5.2	58.6	5.3	58.3	5.4	57.9	5.6
	44	38	63.1	5.0	62.5	5.2	62.1	5.3	61.8	5.4	61.5	5.5	61.0	5.7
	47	43	66.5	5.1	65.9	5.3	65.4	5.5	65.1	5.6	64.7	5.6	64.2	5.8
	51	45	67.8	5.2	67.1	5.3	66.6	5.5	66.3	5.6	66.0	5.7	65.5	5.8
	54	47	69.7	5.2	69.1	5.4	68.5	5.6	68.2	5.7	67.9	5.8	67.3	5.9
	57	50	71.8	5.3	71.1	5.5	70.6	5.6	70.3	5.7	69.9	5.8	69.2	5.9
	60	53	73.9	5.3	73.2	5.5	72.7	5.7	72.3	5.8	71.9	5.9	71.2	5.9
63	55	76.0	5.4	75.3	5.6	74.7	5.8	74.3	5.9	74.0	6.0	73.3	5.9	
66	58	78.1	5.5	77.4	5.7	76.8	5.8	76.4	6.1	76.0	6.1	75.3	5.9	
69	61	80.3	5.5	79.5	5.7	78.9	5.9	78.5	5.8	78.1	5.8	77.4	4.9	
72	62	81.4	5.6	80.7	5.8	80.3	6.0	79.9	5.7	79.5	5.7	78.8	4.8	
75	64	83.1	5.6	82.3	5.8	81.9	5.8	81.5	5.5	81.1	5.5	80.4	4.6	
78	67	85.3	5.7	84.5	5.9	84.1	5.6	83.7	5.2	83.3	4.9	82.6	4.4	
80	69	87.0	5.7	86.8	5.9	86.4	5.4	86.0	5.0	85.6	4.7	85.2	4.2	
120%	-13	-14	28.9	3.8	28.6	4.0	28.4	4.1	28.2	4.1	28.1	4.2	27.8	4.3
	-4	-4	34.5	4.1	34.2	4.2	33.9	4.3	33.7	4.4	33.6	4.5	33.3	4.6
	-2	-2	35.6	4.1	35.3	4.3	35.0	4.4	34.8	4.5	34.6	4.5	34.3	4.7
	6	5	40.0	4.3	39.6	4.5	39.3	4.6	39.1	4.7	38.9	4.7	38.6	4.9
	10	8	42.2	4.4	41.8	4.6	41.5	4.7	41.2	4.8	41.0	4.8	40.7	5.0
	13	12	44.5	4.5	44.1	4.7	43.7	4.8	43.5	4.9	43.3	4.9	43.0	5.1
	15	14	45.8	4.6	45.4	4.7	45.0	4.8	44.8	4.9	44.6	5.0	44.2	5.1
	17	15	46.8	4.6	46.3	4.7	46.0	4.9	45.7	4.9	45.5	5.0	45.1	5.2
	19	18	48.5	4.6	48.0	4.8	47.6	4.9	47.4	5.0	47.2	5.1	46.8	5.2
	22	19	48.9	4.6	48.4	4.8	48.1	4.9	47.8	5.0	47.6	5.1	47.2	5.2
	26	22	51.4	4.7	51.0	4.9	50.6	5.0	50.3	5.1	50.1	5.2	49.7	5.3
	30	26	53.9	4.8	53.4	5.0	53.0	5.1	52.7	5.2	52.5	5.3	52.1	5.4
	35	30	57.0	4.9	56.4	5.1	56.0	5.2	55.8	5.3	55.5	5.4	55.1	5.5
	39	34	59.4	5.0	58.9	5.2	58.5	5.3	58.2	5.4	57.9	5.5	57.4	5.6
	44	38	62.7	5.1	62.1	5.3	61.6	5.4	61.3	5.5	61.0	5.6	60.5	5.8
	47	43	66.0	5.2	65.4	5.4	64.9	5.6	64.6	5.7	64.3	5.7	63.9	5.8
	51	45	67.3	5.3	66.6	5.5	66.1	5.6	65.8	5.7	65.5	5.8	63.9	5.7
	54	47	69.2	5.3	68.6	5.5	68.0	5.7	67.7	5.8	67.4	5.9	63.9	5.4
	57	50	71.3	5.4	70.6	5.6	70.1	5.7	69.7	5.8	68.8	5.7	63.9	5.2
	60	53	73.4	5.5	72.7	5.7	72.1	5.8	72.0	5.8	68.8	5.5	63.9	5.0
63	55	75.4	5.5	74.7	5.7	75.2	5.9	72.0	5.6	68.8	5.3	63.9	4.8	
66	58	77.5	5.6	76.7	5.8	75.2	5.7	72.0	5.3	68.8	5.0	63.9	4.5	
69	61	79.6	5.7	80.1	5.9	75.2	5.4	72.0	5.1	68.8	4.8	63.9	4.3	
72	62	80.8	5.7	80.1	5.8	75.2	5.3	72.0	5.0	68.8	4.7	63.9	4.2	
75	64	82.5	5.7	80.1	5.6	75.2	5.1	72.0	4.8	68.8	4.5	63.9	4.1	
78	67	84.6	5.8	80.1	5.3	75.2	4.9	72.0	4.6	68.8	4.3	63.9	3.8	
80	69	86.5	5.8	80.1	5.1	75.2	4.7	72.0	4.4	68.8	4.1	63.9	3.7	

NOTE - All Total Capacity and Power Input Data at 2°F Dry Bulb / 1°F Wet Bulb Outdoor Temperature is simulated at these operating conditions.

Recommended minimum heating operating temperature is -4°F.

Power Input = Compressor + Outdoor Fan Motor.

MBH = 1000 BTUs per hour.

HEATING CAPACITY

VPC060H4M-3P

Combination (%)	Outdoor Temperature (°F)		Indoor Temperature - °F Dry Bulb											
			61		65		68		70		72		75	
			Total Cap.	Power Input	Total Cap.	Power Input	Total Cap.	Power Input	Total Cap.	Power Input	Total Cap.	Power Input	Total Cap.	Power Input
	Dry Bulb	Wet Bulb	MBH	kW	MBH	kW	MBH	kW	MBH	kW	MBH	kW	MBH	kW
110%	-13	-14	28.8	3.9	28.4	4.0	28.2	4.1	28.1	4.2	27.9	4.2	27.7	4.4
	-4	-4	34.4	4.1	34.0	4.3	33.7	4.4	33.6	4.5	33.4	4.5	33.1	4.6
	-2	-2	35.4	4.2	35.1	4.3	34.8	4.4	34.6	4.5	34.5	4.6	34.2	4.7
	6	5	39.8	4.4	39.5	4.5	39.1	4.6	39.0	4.7	38.8	4.8	38.4	4.9
	10	8	42.0	4.5	41.6	4.6	41.3	4.7	41.1	4.8	40.9	4.9	40.5	5.0
	13	12	44.3	4.6	43.9	4.7	43.6	4.8	43.3	4.9	43.1	5.0	42.8	5.1
	15	14	45.6	4.6	45.2	4.8	44.8	4.9	44.6	5.0	44.4	5.1	44.0	5.2
	17	15	46.6	4.7	46.1	4.8	45.8	4.9	45.5	5.0	45.3	5.1	45.0	5.2
	19	18	48.3	4.7	47.8	4.9	47.4	5.0	47.2	5.1	47.0	5.2	46.6	5.3
	22	19	48.7	4.7	48.2	4.9	47.9	5.0	47.6	5.1	47.4	5.2	47.0	5.3
	26	22	51.1	4.8	50.6	5.0	50.3	5.1	50.0	5.2	49.8	5.3	49.4	5.4
	30	26	53.5	4.9	53.0	5.1	52.6	5.2	52.3	5.3	52.1	5.4	51.7	5.5
	35	30	56.6	5.0	56.0	5.2	55.6	5.3	55.3	5.4	55.1	5.5	54.6	5.6
	39	34	59.0	5.1	58.5	5.3	58.0	5.4	57.7	5.5	57.4	5.6	57.0	5.7
	44	38	62.2	5.2	61.6	5.4	61.1	5.5	60.8	5.6	60.5	5.7	58.6	5.5
	47	43	65.5	5.3	64.9	5.5	64.4	5.7	64.1	5.8	63.1	5.7	58.6	5.2
	51	45	66.8	5.4	66.1	5.6	65.6	5.7	66.0	5.8	63.1	5.5	58.6	5.0
	54	47	68.7	5.4	68.0	5.6	68.9	5.9	66.0	5.6	63.1	5.3	58.6	4.8
	57	50	70.7	5.5	70.0	5.7	68.9	5.7	66.0	5.4	63.1	5.1	58.6	4.6
	60	53	72.8	5.6	73.4	5.9	68.9	5.4	66.0	5.1	63.1	4.8	58.6	4.4
63	55	74.8	5.7	73.4	5.6	68.9	5.2	66.0	4.9	63.1	4.6	58.6	4.2	
66	58	76.8	5.7	73.4	5.4	68.9	5.0	66.0	4.7	63.1	4.4	58.6	4.0	
69	61	79.3	5.7	73.4	5.2	68.9	4.7	66.0	4.5	63.1	4.2	58.6	3.8	
72	62	79.3	5.6	73.4	5.0	68.9	4.6	66.0	4.3	63.1	4.1	58.6	3.7	
75	64	79.3	5.4	73.4	4.8	68.9	4.4	66.0	4.2	63.1	3.9	58.6	3.5	
78	67	79.3	5.1	73.4	4.6	68.9	4.2	66.0	4.0	63.1	3.7	58.6	3.3	
80	69	79.3	4.9	73.4	4.4	68.9	4.0	66.0	3.8	63.1	3.6	58.6	3.2	
100%	-13	-14	28.6	3.9	28.3	4.1	28.0	4.2	27.9	4.2	27.8	4.3	27.5	4.4
	-4	-4	34.2	4.2	33.9	4.3	33.6	4.4	33.4	4.5	33.2	4.6	33.0	4.7
	-2	-2	35.3	4.3	34.9	4.4	34.6	4.5	34.5	4.6	34.3	4.6	34.0	4.8
	6	5	39.7	4.5	39.3	4.6	39.0	4.7	38.8	4.8	38.6	4.9	38.3	5.0
	10	8	41.8	4.5	41.4	4.7	41.1	4.8	40.9	4.9	40.7	5.0	40.4	5.1
	13	12	44.1	4.6	43.7	4.8	43.4	4.9	43.2	5.0	42.9	5.1	42.6	5.2
	15	14	45.4	4.7	44.9	4.9	44.6	5.0	44.4	5.1	44.2	5.1	43.8	5.3
	17	15	46.3	4.7	45.8	4.9	45.5	5.0	45.3	5.1	45.1	5.2	44.7	5.3
	19	18	47.9	4.8	47.4	5.0	47.1	5.1	46.9	5.2	46.6	5.3	46.3	5.4
	22	19	48.3	4.8	47.9	5.0	47.5	5.1	47.3	5.2	47.1	5.3	46.7	5.4
	26	22	50.7	4.9	50.2	5.1	49.9	5.2	49.6	5.3	49.4	5.4	49.0	5.5
	30	26	53.1	5.0	52.6	5.2	52.2	5.3	51.9	5.4	51.7	5.5	51.3	5.6
	35	30	56.1	5.1	55.6	5.3	55.1	5.4	54.9	5.5	54.6	5.6	53.3	5.5
	39	34	58.5	5.2	58.0	5.4	57.5	5.5	57.2	5.6	57.3	5.7	53.3	5.2
	44	38	61.7	5.4	61.1	5.5	60.6	5.7	60.0	5.6	57.3	5.3	53.3	4.9
	47	43	64.9	5.5	64.3	5.7	62.7	5.5	60.0	5.2	57.3	5.0	53.3	4.5
	51	45	66.1	5.5	66.7	5.8	62.7	5.4	60.0	5.1	57.3	4.8	53.3	4.4
	54	47	68.0	5.6	66.7	5.6	62.7	5.2	60.0	4.9	57.3	4.6	53.3	4.2
	57	50	70.0	5.7	66.7	5.3	62.7	4.9	60.0	4.7	57.3	4.4	53.3	4.0
	60	53	72.0	5.6	66.7	5.1	62.7	4.7	60.0	4.4	57.3	4.2	53.3	3.8
63	55	72.0	5.4	66.7	4.9	62.7	4.5	60.0	4.2	57.3	4.0	53.3	3.6	
66	58	72.0	5.1	66.7	4.7	62.7	4.3	60.0	4.0	57.3	3.8	53.3	3.5	
69	61	72.0	4.9	66.7	4.4	62.7	4.1	60.0	3.8	57.3	3.6	53.3	3.3	
72	62	72.0	4.8	66.7	4.3	62.7	4.0	60.0	3.7	57.3	3.5	53.3	3.2	
75	64	72.0	4.6	66.7	4.1	62.7	3.8	60.0	3.6	57.3	3.4	53.3	3.1	
78	67	72.0	4.4	66.7	3.9	62.7	3.6	60.0	3.4	57.3	3.2	53.3	2.9	
80	69	72.0	4.2	66.7	3.8	62.7	3.4	60.0	3.2	57.3	3.0	53.3	2.8	

NOTE - All Total Capacity and Power Input Data at 2°F Dry Bulb / 1°F Wet Bulb Outdoor Temperature is simulated at these operating conditions.

Recommended minimum heating operating temperature is -4°F.

Power Input = Compressor + Outdoor Fan Motor.

MBH = 1000 BTUs per hour.

HEATING CAPACITY

VPC060H4M-3P

Combination (%)	Outdoor Temperature (°F)		Indoor Temperature - °F Dry Bulb											
			61		65		68		70		72		75	
	Dry Bulb	Wet Bulb	Total Cap.	Power Input	Total Cap.	Power Input	Total Cap.	Power Input	Total Cap.	Power Input	Total Cap.	Power Input	Total Cap.	Power Input
			MBH	kW	MBH	kW	MBH	kW	MBH	kW	MBH	kW	MBH	kW
90%	-13	-14	28.4	4.0	28.1	4.1	27.9	4.2	27.8	4.3	27.6	4.3	27.4	4.5
	-4	-4	34.0	4.3	33.7	4.4	33.4	4.5	33.3	4.6	33.1	4.7	32.8	4.8
	-2	-2	35.1	4.3	34.8	4.5	34.5	4.6	34.3	4.6	34.1	4.7	33.9	4.8
	6	5	39.5	4.5	39.1	4.7	38.8	4.8	38.6	4.9	38.4	5.0	38.1	5.1
	10	8	41.5	4.6	41.2	4.8	40.9	4.9	40.7	5.0	40.5	5.1	40.2	5.2
	13	12	43.8	4.7	43.3	4.9	43.0	5.0	42.8	5.1	42.6	5.2	42.3	5.3
	15	14	45.0	4.8	44.6	5.0	44.2	5.1	44.0	5.2	43.8	5.2	43.5	5.4
	17	15	45.9	4.8	45.5	5.0	45.1	5.1	44.9	5.2	44.7	5.3	44.3	5.4
	19	18	47.5	4.9	47.0	5.1	46.7	5.2	46.5	5.3	46.2	5.4	45.9	5.5
	22	19	47.9	4.9	47.5	5.1	47.1	5.2	46.9	5.3	46.6	5.4	46.3	5.5
	26	22	50.3	5.0	49.8	5.2	49.4	5.3	49.2	5.4	48.9	5.5	47.9	5.4
	30	26	52.6	5.1	52.1	5.3	51.7	5.4	51.4	5.5	51.6	5.6	47.9	5.2
	35	30	55.6	5.3	55.0	5.4	54.6	5.6	54.0	5.5	51.6	5.2	47.9	4.8
	39	34	58.0	5.4	57.4	5.5	56.4	5.5	54.0	5.2	51.6	5.0	47.9	4.6
	44	38	61.1	5.5	60.1	5.5	56.4	5.1	54.0	4.9	51.6	4.6	47.9	4.2
	47	43	64.8	5.6	60.1	5.1	56.4	4.8	54.0	4.5	51.6	4.3	47.9	3.9
	51	45	64.8	5.5	60.1	5.0	56.4	4.6	54.0	4.4	51.6	4.2	47.9	3.8
	54	47	64.8	5.3	60.1	4.8	56.4	4.4	54.0	4.2	51.6	4.0	47.9	3.6
	57	50	64.8	5.0	60.1	4.6	56.4	4.2	54.0	4.0	51.6	3.8	47.9	3.5
	60	53	64.8	4.8	60.1	4.4	56.4	4.0	54.0	3.8	51.6	3.6	47.9	3.3
63	55	64.8	4.6	60.1	4.2	56.4	3.8	54.0	3.6	51.6	3.4	47.9	3.1	
66	58	64.8	4.4	60.1	4.0	56.4	3.6	54.0	3.4	51.6	3.2	47.9	3.0	
69	61	64.8	4.2	60.1	3.7	56.4	3.5	54.0	3.3	51.6	3.1	47.9	2.8	
72	62	64.8	4.0	60.1	3.6	56.4	3.3	54.0	3.2	51.6	3.0	47.9	2.8	
75	64	64.8	3.9	60.1	3.5	56.4	3.2	54.0	3.0	51.6	2.9	47.9	2.7	
78	67	64.8	3.7	60.1	3.3	56.4	3.0	54.0	2.9	51.6	2.7	47.9	2.5	
80	69	64.8	3.5	60.1	3.1	56.4	2.9	54.0	2.8	51.6	2.6	47.9	2.4	
80%	-13	-14	28.3	4.0	28.0	4.2	27.8	4.3	27.6	4.3	27.5	4.4	27.3	4.5
	-4	-4	33.9	4.4	33.5	4.5	33.3	4.6	33.1	4.7	32.9	4.7	32.7	4.9
	-2	-2	34.9	4.4	34.6	4.6	34.3	4.7	34.2	4.7	34.0	4.8	33.7	4.9
	6	5	39.1	4.6	38.8	4.8	38.5	4.9	38.3	5.0	38.1	5.1	37.8	5.2
	10	8	41.2	4.7	40.8	4.9	40.5	5.0	40.3	5.1	40.1	5.2	39.8	5.3
	13	12	43.3	4.9	42.9	5.0	42.6	5.1	42.4	5.2	42.2	5.3	42.6	5.5
	15	14	44.6	4.9	44.1	5.1	43.8	5.2	43.6	5.3	43.4	5.4	42.6	5.3
	17	15	45.5	5.0	45.0	5.1	44.7	5.3	44.5	5.3	44.2	5.4	42.6	5.2
	19	18	47.0	5.1	46.6	5.2	46.2	5.3	46.0	5.4	45.9	5.5	42.6	5.0
	22	19	47.4	5.1	47.0	5.2	46.6	5.3	46.4	5.4	45.9	5.4	42.6	5.0
	26	22	49.8	5.2	49.3	5.3	48.9	5.5	48.0	5.4	45.9	5.1	42.6	4.7
	30	26	52.0	5.3	51.5	5.5	50.1	5.3	48.0	5.1	45.9	4.8	42.6	4.4
	35	30	55.0	5.4	53.4	5.3	50.1	5.0	48.0	4.7	45.9	4.5	42.6	4.1
	39	34	57.6	5.5	53.4	5.1	50.1	4.7	48.0	4.5	45.9	4.3	42.6	3.9
	44	38	57.6	5.1	53.4	4.7	50.1	4.4	48.0	4.2	45.9	3.9	42.6	3.6
	47	43	57.6	4.8	53.4	4.4	50.1	4.0	48.0	3.9	45.9	3.7	42.6	3.4
	51	45	57.6	4.6	53.4	4.2	50.1	3.9	48.0	3.7	45.9	3.5	42.6	3.2
	54	47	57.6	4.4	53.4	4.0	50.1	3.8	48.0	3.6	45.9	3.4	42.6	3.1
	57	50	57.6	4.2	53.4	3.9	50.1	3.6	48.0	3.4	45.9	3.2	42.6	3.0
	60	53	57.6	4.0	53.4	3.7	50.1	3.4	48.0	3.2	45.9	3.1	42.6	2.8
63	55	57.6	3.8	53.4	3.5	50.1	3.2	48.0	3.1	45.9	2.9	42.6	2.7	
66	58	57.6	3.6	53.4	3.3	50.1	3.1	48.0	2.9	45.9	2.8	42.6	2.6	
69	61	57.6	3.4	53.4	3.1	50.1	2.9	48.0	2.8	45.9	2.7	42.6	2.5	
72	62	57.6	3.3	53.4	3.0	50.1	2.8	48.0	2.7	45.9	2.6	42.6	2.4	
75	64	57.6	3.2	53.4	2.9	50.1	2.7	48.0	2.6	45.9	2.5	42.6	2.3	
78	67	57.6	3.0	53.4	2.8	50.1	2.6	48.0	2.5	45.9	2.4	42.6	2.2	
80	69	57.6	2.9	53.4	2.6	50.1	2.5	48.0	2.4	45.9	2.3	42.6	2.1	

NOTE - All Total Capacity and Power Input Data at 2°F Dry Bulb / 1°F Wet Bulb Outdoor Temperature is simulated at these operating conditions.

Recommended minimum heating operating temperature is -4°F.

Power Input = Compressor + Outdoor Fan Motor.

MBH = 1000 BTUs per hour.

HEATING CAPACITY

VPC060H4M-3P

Combination (%)	Outdoor Temperature (°F)		Indoor Temperature - °F Dry Bulb											
			61		65		68		70		72		75	
			Total Cap.	Power Input	Total Cap.	Power Input	Total Cap.	Power Input	Total Cap.	Power Input	Total Cap.	Power Input	Total Cap.	Power Input
	Dry Bulb	Wet Bulb	MBH	kW	MBH	kW	MBH	kW	MBH	kW	MBH	kW	MBH	kW
70%	-13	-14	28.1	4.1	27.8	4.3	27.6	4.4	27.5	4.4	27.3	4.5	27.1	4.6
	-4	-4	33.6	4.5	33.2	4.6	33.0	4.7	32.8	4.8	32.7	4.9	32.5	5.0
	-2	-2	34.6	4.5	34.3	4.7	34.0	4.8	33.8	4.8	33.7	4.9	33.4	5.0
	6	5	38.7	4.8	38.4	4.9	38.1	5.0	37.9	5.1	37.7	5.2	37.3	5.2
	10	8	40.7	4.9	40.3	5.0	40.0	5.2	39.8	5.2	40.1	5.4	37.3	5.0
	13	12	42.9	5.0	42.5	5.2	42.1	5.3	42.0	5.3	40.1	5.1	37.3	4.7
	15	14	44.1	5.1	43.6	5.2	43.9	5.4	42.0	5.2	40.1	4.9	37.3	4.6
	17	15	44.9	5.1	44.5	5.3	43.9	5.3	42.0	5.1	40.1	4.8	37.3	4.5
	19	18	46.5	5.2	46.7	5.4	43.9	5.1	42.0	4.9	40.1	4.6	37.3	4.3
	22	19	46.9	5.2	46.7	5.4	43.9	5.0	42.0	4.8	40.1	4.6	37.3	4.2
	26	22	49.2	5.4	46.7	5.1	43.9	4.7	42.0	4.5	40.1	4.3	37.3	4.0
	30	26	50.4	5.2	46.7	4.8	43.9	4.5	42.0	4.3	40.1	4.1	37.3	3.8
	35	30	50.4	4.9	46.7	4.5	43.9	4.2	42.0	4.0	40.1	3.8	37.3	3.5
	39	34	50.4	4.6	46.7	4.2	43.9	4.0	42.0	3.8	40.1	3.6	37.3	3.3
	44	38	50.4	4.3	46.7	3.9	43.9	3.7	42.0	3.5	40.1	3.3	37.3	3.1
	47	43	50.4	4.0	46.7	3.6	43.9	3.4	42.0	3.2	40.1	3.1	37.3	2.8
	51	45	50.4	3.8	46.7	3.5	43.9	3.3	42.0	3.1	40.1	3.0	37.3	2.8
	54	47	50.4	3.7	46.7	3.4	43.9	3.1	42.0	3.0	40.1	2.9	37.3	2.7
	57	50	50.4	3.5	46.7	3.2	43.9	3.0	42.0	2.9	40.1	2.7	37.3	2.5
	60	53	50.4	3.3	46.7	3.0	43.9	2.8	42.0	2.7	40.1	2.6	37.3	2.4
63	55	50.4	3.1	46.7	2.9	43.9	2.7	42.0	2.6	40.1	2.5	37.3	2.3	
66	58	50.4	3.0	46.7	2.8	43.9	2.6	42.0	2.5	40.1	2.4	37.3	2.2	
69	61	50.4	2.8	46.7	2.6	43.9	2.5	42.0	2.4	40.1	2.3	37.3	2.1	
72	62	50.4	2.7	46.7	2.5	43.9	2.4	42.0	2.3	40.1	2.2	37.3	2.0	
75	64	50.4	2.6	46.7	2.4	43.9	2.3	42.0	2.2	40.1	2.1	37.3	2.0	
78	67	50.4	2.5	46.7	2.3	43.9	2.2	42.0	2.1	40.1	2.0	37.3	1.9	
80	69	50.4	2.4	46.7	2.2	43.9	2.1	42.0	2.0	40.1	1.9	37.3	1.8	
60%	-13	-14	27.9	4.2	27.6	4.4	27.4	4.5	27.3	4.6	27.2	4.6	27.0	4.7
	-4	-4	33.2	4.6	32.9	4.7	32.6	4.9	32.5	4.9	32.3	5.0	32.0	5.0
	-2	-2	34.2	4.7	33.8	4.8	33.6	4.9	33.5	5.0	33.3	5.1	32.0	4.9
	6	5	38.2	4.9	37.9	5.1	37.6	5.2	36.0	4.9	34.4	4.7	32.0	4.4
	10	8	40.2	5.1	40.0	5.2	37.6	4.9	36.0	4.7	34.4	4.5	32.0	4.1
	13	12	42.3	5.2	40.0	4.9	37.6	4.6	36.0	4.4	34.4	4.2	32.0	3.9
	15	14	43.2	5.2	40.0	4.8	37.6	4.5	36.0	4.3	34.4	4.1	32.0	3.8
	17	15	43.2	5.1	40.0	4.7	37.6	4.4	36.0	4.2	34.4	4.0	32.0	3.7
	19	18	43.2	4.9	40.0	4.5	37.6	4.2	36.0	4.0	34.4	3.9	32.0	3.6
	22	19	43.2	4.8	40.0	4.4	37.6	4.2	36.0	4.0	34.4	3.8	32.0	3.5
	26	22	43.2	4.5	40.0	4.2	37.6	3.9	36.0	3.8	34.4	3.6	32.0	3.3
	30	26	43.2	4.3	40.0	4.0	37.6	3.7	36.0	3.5	34.4	3.4	32.0	3.1
	35	30	43.2	4.0	40.0	3.7	37.6	3.4	36.0	3.3	34.4	3.1	32.0	2.9
	39	34	43.2	3.8	40.0	3.5	37.6	3.2	36.0	3.1	34.4	3.0	32.0	2.8
	44	38	43.2	3.5	40.0	3.2	37.6	3.0	36.0	2.9	34.4	2.8	32.0	2.6
	47	43	43.2	3.2	40.0	3.0	37.6	2.8	36.0	2.7	34.4	2.5	32.0	2.4
	51	45	43.2	3.1	40.0	2.9	37.6	2.7	36.0	2.6	34.4	2.5	32.0	2.3
	54	47	43.2	3.0	40.0	2.8	37.6	2.6	36.0	2.5	34.4	2.4	32.0	2.3
	57	50	43.2	2.8	40.0	2.6	37.6	2.5	36.0	2.4	34.4	2.3	32.0	2.1
	60	53	43.2	2.7	40.0	2.5	37.6	2.4	36.0	2.3	34.4	2.2	32.0	2.1
63	55	43.2	2.6	40.0	2.4	37.6	2.3	36.0	2.2	34.4	2.1	32.0	2.0	
66	58	43.2	2.4	40.0	2.3	37.6	2.2	36.0	2.1	34.4	2.0	32.0	1.9	
69	61	43.2	2.3	40.0	2.2	37.6	2.0	36.0	2.0	34.4	1.9	32.0	1.8	
72	62	43.2	2.3	40.0	2.1	37.6	2.0	36.0	1.9	34.4	1.8	32.0	1.7	
75	64	43.2	2.2	40.0	2.0	37.6	1.9	36.0	1.8	34.4	1.8	32.0	1.7	
78	67	43.2	2.0	40.0	1.9	37.6	1.8	36.0	1.7	34.4	1.7	32.0	1.6	
80	69	43.2	2.0	40.0	1.8	37.6	1.7	36.0	1.7	34.4	1.6	32.0	1.5	

NOTE - All Total Capacity and Power Input Data at 2°F Dry Bulb / 1°F Wet Bulb Outdoor Temperature is simulated at these operating conditions.

Recommended minimum heating operating temperature is -4°F.

Power Input = Compressor + Outdoor Fan Motor.

MBH = 1000 BTUs per hour.

HEATING CAPACITY

VPC060H4M-3P

Combination (%)	Outdoor Temperature (°F)		Indoor Temperature - °F Dry Bulb											
			61		65		68		70		72		75	
	Dry Bulb	Wet Bulb	Total Cap.	Power Input	Total Cap.	Power Input	Total Cap.	Power Input	Total Cap.	Power Input	Total Cap.	Power Input	Total Cap.	Power Input
			MBH	kW	MBH	kW	MBH	kW	MBH	kW	MBH	kW	MBH	kW
50%	-13	-14	27.5	4.4	27.2	4.5	27.1	4.6	26.9	4.7	26.8	4.8	26.6	4.9
	-4	-4	32.7	4.8	32.4	4.9	31.3	4.8	30.0	4.6	28.7	4.4	26.6	4.1
	-2	-2	33.7	4.9	33.4	5.0	31.3	4.7	30.0	4.5	28.7	4.3	26.6	4.0
	6	5	36.0	4.8	33.4	4.4	31.3	4.2	30.0	4.0	28.7	3.8	26.6	3.6
	10	8	36.0	4.5	33.4	4.2	31.3	4.0	30.0	3.8	28.7	3.6	26.6	3.4
	13	12	36.0	4.3	33.4	4.0	31.3	3.7	30.0	3.6	28.7	3.4	26.6	3.2
	15	14	36.0	4.2	33.4	3.9	31.3	3.6	30.0	3.5	28.7	3.3	26.6	3.1
	17	15	36.0	4.1	33.4	3.8	31.3	3.5	30.0	3.4	28.7	3.2	26.6	3.0
	19	18	36.0	3.9	33.4	3.6	31.3	3.4	30.0	3.3	28.7	3.1	26.6	2.9
	22	19	36.0	3.8	33.4	3.6	31.3	3.3	30.0	3.2	28.7	3.1	26.6	2.9
	26	22	36.0	3.6	33.4	3.4	31.3	3.2	30.0	3.0	28.7	2.9	26.6	2.7
	30	26	36.0	3.4	33.4	3.2	31.3	3.0	30.0	2.9	28.7	2.8	26.6	2.6
	35	30	36.0	3.2	33.4	2.9	31.3	2.8	30.0	2.7	28.7	2.6	26.6	2.4
	39	34	36.0	3.0	33.4	2.8	31.3	2.6	30.0	2.5	28.7	2.5	26.6	2.3
	44	38	36.0	2.8	33.4	2.6	31.3	2.5	30.0	2.4	28.7	2.3	26.6	2.1
	47	43	36.0	2.5	33.4	2.4	31.3	2.2	30.0	2.2	28.7	2.1	26.6	1.9
	51	45	36.0	2.5	33.4	2.3	31.3	2.2	30.0	2.1	28.7	2.0	26.6	1.9
	54	47	36.0	2.4	33.4	2.2	31.3	2.1	30.0	2.1	28.7	2.0	26.6	1.8
	57	50	36.0	2.3	33.4	2.1	31.3	2.0	30.0	2.0	28.7	1.9	26.6	1.8
	60	53	36.0	2.2	33.4	2.0	31.3	1.9	30.0	1.9	28.7	1.8	26.6	1.7
63	55	36.0	2.1	33.4	1.9	31.3	1.8	30.0	1.8	28.7	1.7	26.6	1.6	
66	58	36.0	2.0	33.4	1.8	31.3	1.8	30.0	1.7	28.7	1.6	26.6	1.5	
69	61	36.0	1.9	33.4	1.8	31.3	1.7	30.0	1.6	28.7	1.5	26.6	1.5	
72	62	36.0	1.8	33.4	1.7	31.3	1.6	30.0	1.6	28.7	1.5	26.6	1.4	
75	64	36.0	1.7	33.4	1.6	31.3	1.6	30.0	1.5	28.7	1.4	26.6	1.4	
78	67	36.0	1.6	33.4	1.5	31.3	1.5	30.0	1.4	28.7	1.4	26.6	1.3	
80	69	36.0	1.6	33.4	1.5	31.3	1.4	30.0	1.3	28.7	1.3	26.6	1.2	

NOTE - All Total Capacity and Power Input Data at 2°F Dry Bulb / 1°F Wet Bulb Outdoor Temperature is simulated at these operating conditions.

Recommended minimum heating operating temperature is -4°F.

Power Input = Compressor + Outdoor Fan Motor.

MBH = 1000 BTUs per hour.

CORRECTION FACTORS - COOLING AND HEATING

COOLING AND HEATING CAPACITY CORRECTION FACTORS

Modification coefficient of the length and height difference of refrigerant pipe:

Cooling Capacity Modification

¹ Height Difference (ft.)	Main Pipe Length										
	0	10	20	30	40	50	60	70	80	90	100
+50	---	---	---	---	---	93.9%	93.1%	92.3%	91.5%	90.7%	90.0%
+40	---	---	---	---	95.0%	94.1%	93.3%	92.4%	91.7%	90.9%	90.1%
+30	---	---	---	96.2%	95.2%	94.3%	93.5%	92.6%	91.8%	91.1%	90.3%
+20	---	---	97.4%	96.4%	95.4%	94.5%	93.7%	92.8%	92.0%	91.2%	90.5%
+10	---	98.6%	97.6%	96.6%	95.7%	94.7%	93.9%	93.0%	92.2%	91.4%	90.7%
0	100.0%	98.9%	97.8%	96.8%	95.9%	95.0%	94.1%	93.2%	92.4%	91.6%	90.8%
-10	---	99.1%	98.1%	97.1%	96.1%	95.2%	94.3%	93.4%	92.6%	91.8%	91.0%
-20	---	---	98.3%	97.3%	96.3%	95.4%	94.5%	93.6%	92.8%	92.0%	91.2%
-30	---	---	---	97.5%	96.5%	95.6%	94.7%	93.8%	93.0%	92.2%	91.4%
-40	---	---	---	---	96.8%	95.8%	94.9%	94.0%	93.2%	92.3%	91.6%

¹ Height Difference:

Positive data - Outdoor unit is **above** indoor unit.
 Negative data - Outdoor unit is **below** indoor unit.

Heating Capacity Modification

¹ Height Difference (ft.)	Main Pipe Length										
	0	10	20	30	40	50	60	70	80	90	100
+50	---	---	---	---	---	99.9%	99.9%	99.8%	99.8%	99.7%	99.7%
+40	---	---	---	---	99.9%	99.9%	99.8%	99.8%	99.8%	99.7%	99.7%
+30	---	---	---	100.0%	99.9%	99.9%	99.8%	99.8%	99.7%	99.7%	99.6%
+20	---	---	100.0%	99.9%	99.9%	99.8%	99.8%	99.7%	99.7%	99.7%	99.6%
+10	---	100.0%	99.9%	99.9%	99.8%	99.8%	99.8%	99.7%	99.7%	99.6%	99.6%
0	100.0%	100.0%	99.9%	99.9%	99.8%	99.8%	99.7%	99.7%	99.6%	99.6%	99.6%
-10	---	99.9%	99.9%	99.8%	99.8%	99.7%	99.7%	99.7%	99.6%	99.6%	99.5%
-20	---	---	99.9%	99.8%	99.8%	99.7%	99.7%	99.6%	99.6%	99.6%	99.5%
-30	---	---	---	99.8%	99.7%	99.7%	99.7%	99.6%	99.6%	99.5%	99.5%
-40	---	---	---	---	99.7%	99.7%	99.6%	99.6%	99.5%	99.5%	99.5%

¹ Height Difference:

Positive data - Outdoor unit is **above** indoor unit.
 Negative data - Outdoor unit is **below** indoor unit.

CORRECTION FACTORS - DEFROST DERATE CAPACITY

Outdoor Temperature DB (°F)	5	14	17	19.4	23	26.6	32	37.4	41	47
Derate Factor	0.98	0.98	0.98	0.98	0.95	0.93	0.86	0.93	0.96	1.00

NOTE - Derate Factor - Use the capacity obtained in the heating rating table and apply the appropriate correction factor based on the outdoor temperature to obtain the average performance including the defrost cycle.

REVISIONS

Sections	Description of Change
AHRI Ratings	Added VWHA Matches.



Visit us at www.Lennox.com

For the latest technical information, www.LennoxCommercial.com

Contact us at 1-800-4-LENNOX

NOTE - Due to Lennox' ongoing commitment to quality, Specifications, Ratings and Dimensions subject to change without notice and without incurring liability. Improper installation, adjustment, alteration, service or maintenance can cause property damage or personal injury. Installation and service must be performed by a qualified installer and servicing agency.

©2024 Lennox Industries, Inc.