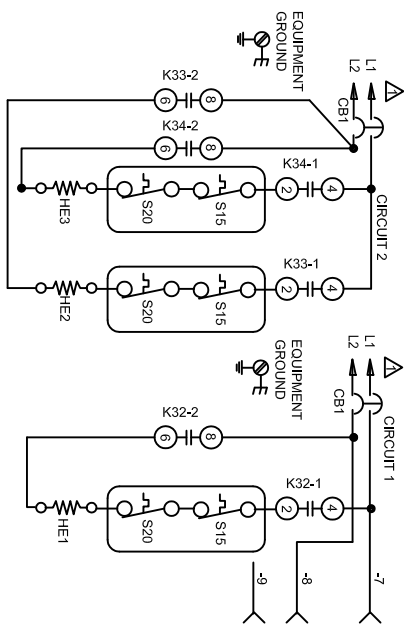


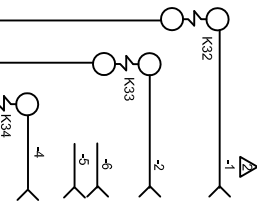
KEY	DESCRIPTION
CB1	CIRCUIT BREAKER-ELECT HEAT
CB2	CIRCUIT BREAKER-ELECT HEAT
HE1	ELEMENT-ELECTRIC HEAT 1
HE2	ELEMENT-ELECTRIC HEAT 2
HE3	ELEMENT-ELECTRIC HEAT 3
K33-1,2	RELAY-ELECTRIC HEAT
K33-1,2	RELAY-ELECTRIC HEAT
K34-1,2	RELAY-ELECTRIC HEAT
S15	SWITCH-LIMIT PRIMARY ELECT HEAT
S20	SWITCH-LIMIT SECONDARY ELECT HEAT

NOTE: USE COPPER CONDUCTORS ONLY



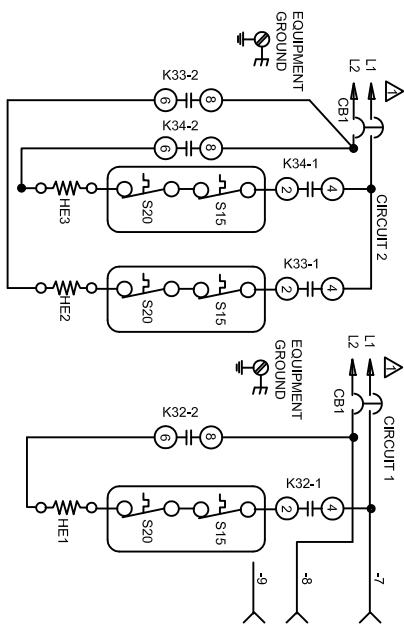
REFER TO UNIT NAMEPLATE FOR MINIMUM CIRCUIT AMPACITY AND MAXIMUM OVERCURRENT PROTECTION SIZE.

CONNECT WIRES 1 THRU 9 TO P8 (9 PIN CONNECTOR) ON AHC CONTROL



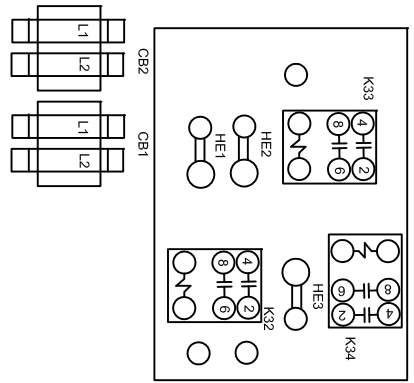
KEY	DESCRIPTION
CB1	CIRCUIT BREAKER-ELECT HEAT
CB2	CIRCUIT BREAKER-ELECT HEAT
HE1	ELEMENT-ELECTRIC HEAT 1
HE2	ELEMENT-ELECTRIC HEAT 2
HE3	ELEMENT-ELECTRIC HEAT 3
K32-1,2	RELAY-ELECTRIC HEAT
K33-1,2	RELAY-ELECTRIC HEAT
K34-1,2	RELAY-ELECTRIC HEAT
S15	SWITCH-LIMIT PRIMARY ELECT HEAT
S20	SWITCH-LIMIT SECONDARY ELECT HEAT

NOTE: USE COPPER CONDUCTORS ONLY



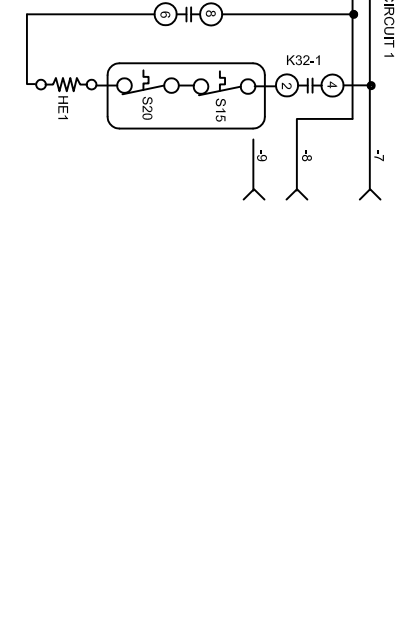
REFER TO UNIT NAMEPLATE FOR MINIMUM CIRCUIT AMPACITY AND MAXIMUM OVERCURRENT PROTECTION SIZE.

CONNECT WIRES 1 THRU 9 TO P8 (9 PIN CONNECTOR) ON AHC CONTROL



KEY	DESCRIPTION
CB1	CIRCUIT BREAKER-ELECT HEAT
CB2	CIRCUIT BREAKER-ELECT HEAT
HE1	ELEMENT-ELECTRIC HEAT 1
HE2	ELEMENT-ELECTRIC HEAT 2
HE3	ELEMENT-ELECTRIC HEAT 3
K32-1,2	RELAY-ELECTRIC HEAT
K33-1,2	RELAY-ELECTRIC HEAT
K34-1,2	RELAY-ELECTRIC HEAT
S15	SWITCH-LIMIT PRIMARY ELECT HEAT
S20	SWITCH-LIMIT SECONDARY ELECT HEAT

NOTE: USE COPPER CONDUCTORS ONLY



REFER TO UNIT NAMEPLATE FOR MINIMUM CIRCUIT AMPACITY AND MAXIMUM OVERCURRENT PROTECTION SIZE.

CONNECT WIRES 1 THRU 9 TO P8 (9 PIN CONNECTOR) ON AHC CONTROL

LENNOX HEATING-ELECTRIC
ECB38-12.5CB, 15CB-P
Supersedes

Form No. 537960-01

0118

Litho U.S.A. © 2008

LENNOX HEATING-ELECTRIC
ECB38-12.5CB, 15CB-P
Supersedes

Form No. 537960-01

0118

Litho U.S.A. © 2008