



## ELECTRIC HEAT SECTIONS

507250-03  
10/2022  
Supersedes 507250-02

## EHO075/EHO600 ELECTRIC HEAT

See unit nameplate for manufacturer's name and address.

### INSTALLATION INSTRUCTIONS FOR C1EHO075/600 & E1EHO075/600 ELECTRIC HEAT ASSEMBLIES USED WITH PACKAGED COOLING 092/152 & HEAT PUMP 078/150 UNITS

#### Shipping and Packing List

Package 1 of 1 contains:

- 1- Electric heat assembly
- 1- Electric heat control assembly (C1EHO kits only)
- 1- Door frame (non-hinged units only)
- 1- Door (non-hinged units only)
- 3- Harnesses
- 1- Bag assembly containing:
  - 3- Harnesses
  - 2- Wiring diagram stickers (qty. 1 in E1EHO kits)
- 25- Screws
  - 1- Terminal block
  - 1- Door knob (non-hinged units only)
  - 2- Hinges (non-hinged units only)
  - 1- Spring latch (non-hinged units only)

Inspect package upon receiving. If damage is found, contact last carrier immediately.

#### F4 Fuse Block

Fuse block assembly (F4) is furnished in all cooling and heat pump units. Assembly is required in single point power installations only.

#### TB2 Terminal Block

TB2 is furnished with electric heat. TB2 is required in units equipped with S48 (80A) disconnect switches. TB2 is also required when a unit does NOT contain a CB10 circuit breaker or S48 (150A) disconnect switch. Make sure the CB10 has lugs on top to distribute power.

#### Electric Heat Control Module

The electric heat control module kit is provided in this kit. The kit is required on units not equipped with a Unit Controller control.

#### Application

Electric heat sections are used as primary heaters for packaged cooling units and as a secondary heat source for packaged heat pump units. See table 1 for match-ups.

#### Requirements

The EHO series heaters are CSA and ETL design certified.

Installation of electric heaters must conform with standards of the National Fire Protection Association (NFPA) "Standard for Installation of Air Conditioning and Ventilation Systems NFPA No. 90A;" "Standard for the Installation of Residence Type Warm Air Heating and Air Conditioning Systems NFPA No. 90B;" in Canada, CSA C22.1 Canadian Electrical Code — Part I and all applicable CSA requirements; manufacturer's installation instructions and local municipal building codes. Heaters are approved for clearances to combustible materials as listed on heater rating plate.

Accessibility and service clearances must take precedence over fire protection clearances. All wiring must conform with local building codes and the current National Electric Code (NEC) ANSI-C1 and in Canada, CSA C22.1 Canadian Electrical Code —Part I and the applicable CSA requirements.

#### Install Electric Heat Assembly

- 1- Disconnect all power to unit.
- 2- Remove unit heat access panel. Remove screws and discard rectangular vestibule cover(s).
- 3- Insert electric element heat assembly into rectangular vestibule opening and secure assembly using screws provided. See figure 1.
- 4- *Single disconnect installations-*  
Install separately ordered TB2, CB10, or S48 (150A) using screws provided. See figure 2 for location.
- 5- *KC/KH Unit Only -*  
Replace the unit TB2 with the TB2 provided in this kit. Install separately ordered CB10 or S48 (150A) using screws provided. See figure 2 for location.

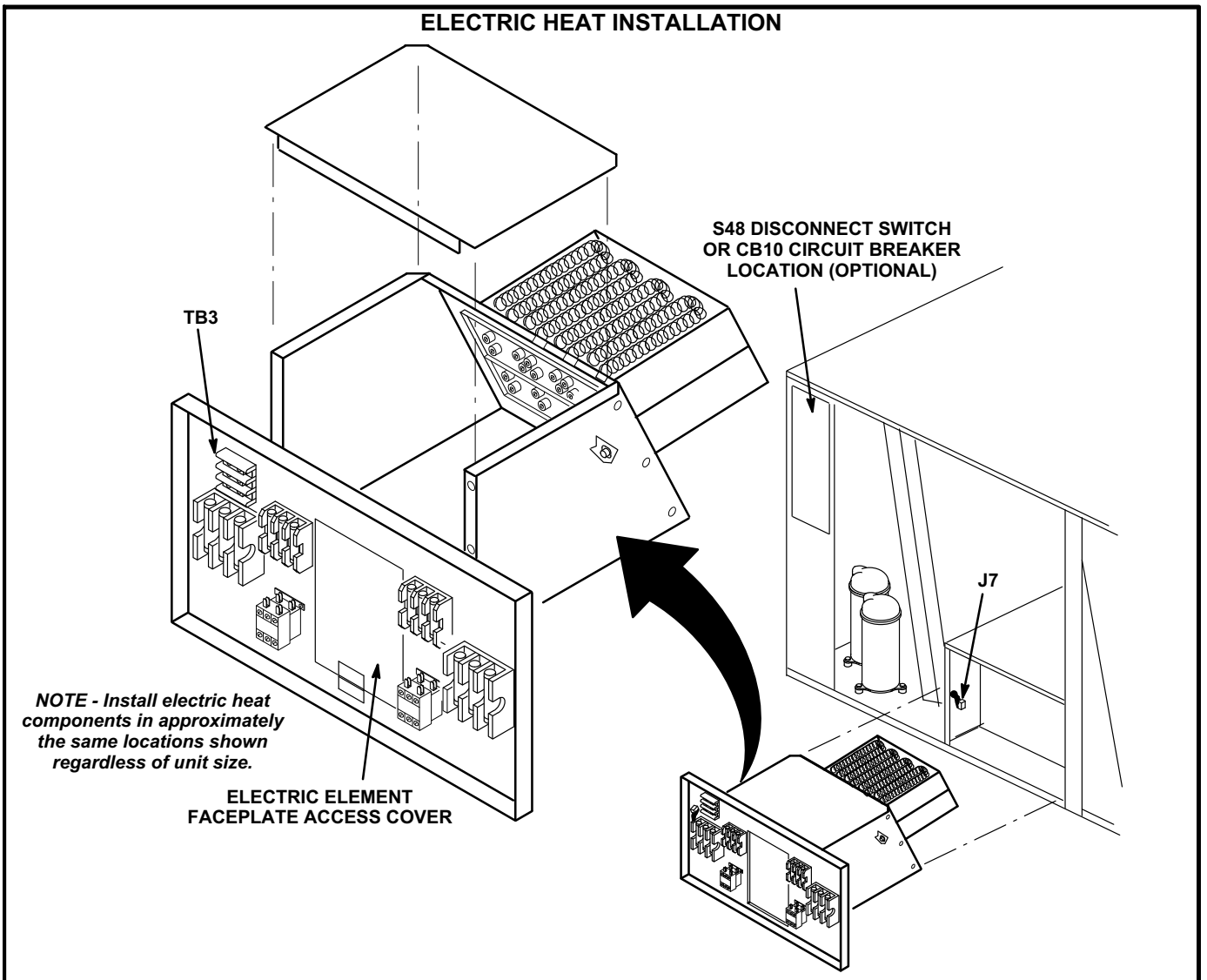
*Note - Kit is not required on units equipped with a Unit Controller.*

*Note - Install electric heat door assembly after electric heat assembly and wiring is complete.*

**TABLE 1**

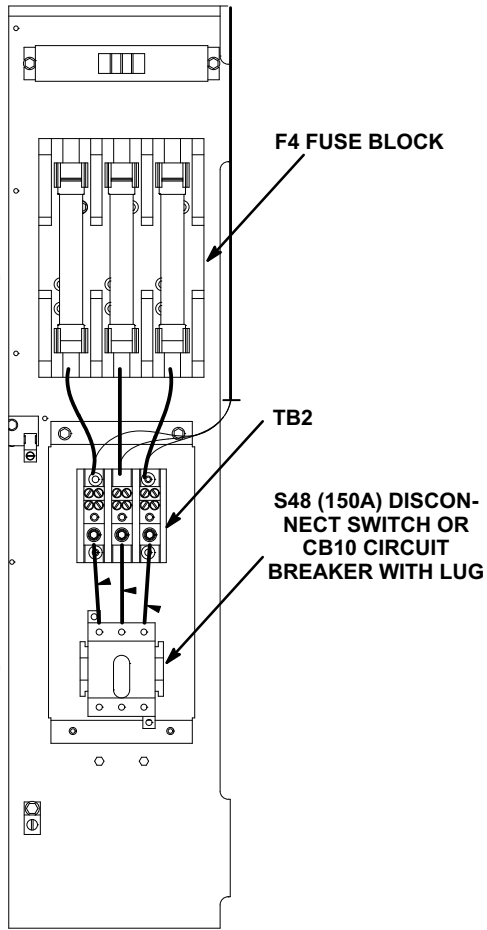
Unit	Blower Drive	Cat. No.	Electric Heat	Volt
Cooling 092, 094 102 Heat Pump 092, 102	Belt	68W04 / 603383-19	C1EHO057 (5.7KW)	M
Cooling 092, 094, 102, 120, 122, 150, 152 Heat Pump 092, 102, 120, 150	Belt	68W05 / 603383-20	C1EHO115 (11.5KW)	M
	Belt	68W06 / 603383-21	C1EHO172 (17.2KW)	M
	Belt	68W07 / 603383-22	C1EHO230 (23.0KW)	M
	Belt	68W08 / 603383-23	C1EHO345 (34.5KW)	M
Cooling 120, 122, 150, 152 Heat Pump 120, 150	Belt	68W09 / 603383-24	C1EHO459 (45.9KW)	M
Cooling 092, 094, 102 Heat Pump 092, 102	Belt	56W38 / 603383-01	C1EHO075 (7.5KW)	Y
	Belt	56W39 / 603383-02	C1EHO075 (7.5KW)	G
	Belt	56W40 / 603383-03	C1EHO075 (7.5KW)	J
Cooling 092, 102 Heat Pump 078, 092, 102	Direct	23U73 / 624324-01	E1EHO075 (7.5KW)	Y
	Direct	23U74 / 624324-02	E1EHO075 (7.5KW)	G
	Direct	23U75 / 624324-03	E1EHO075 (7.5KW)	J
Cooling 092, 094, 102, 120, 122, 150, 152 Heat Pump 092, 102, 120, 150	Belt	56W41 / 603383-04	C1EHO150 (15KW)	Y
	Belt	56W42 / 603383-05	C1EHO150 (15KW)	G
	Belt	56W43 / 603383-06	C1EHO150 (15KW)	J
Cooling 092, 102, 120, 150 Heat Pump 078, 092, 102, 122, 150	Direct	23U76 / 624324-04	E1EHO150 (15KW)	Y
	Direct	23U77 / 624324-05	E1EHO150 (15KW)	G
	Direct	23U78 / 624324-06	E1EHO150 (15KW)	J
Cooling 092, 102, 120, 150 Heat Pump 092, 102, 120, 150	Belt	56W44 / 603383-07	C1EHO225 (22.5KW)	Y
	Belt	56W45 / 603383-08	C1EHO225 (22.5KW)	G
	Belt	56W46 / 603383-09	C1EHO225 (22.5KW)	J
Cooling 092, 102, 120, 150 Heat Pump 078, 092, 102, 122, 150	Direct	23U79 / 624324-07	E1EHO225 (22.5KW)	Y
	Direct	23U80 / 624324-08	E1EHO225 (22.5KW)	G
	Direct	23U81 / 624324-09	E1EHO225 (22.5KW)	J
Cooling 092, 094, 102, 120, 122, 150, 152 Heat Pump 092, 102, 120, 150	Belt	56W47 / 603383-10	C1EHO300 (30KW)	Y
	Belt	56W48 / 603383-11	C1EHO300 (30KW)	G
	Belt	56W49 / 603383-12	C1EHO300 (30KW)	J
Cooling 092, 102, 120, 150 Heat Pump 078, 092, 102, 122, 150	Direct	23U82 / 624324-10	E1EHO300 (30KW)	Y
	Direct	23U83 / 624324-11	E1EHO300 (30KW)	G
	Direct	23U84 / 624324-12	E1EHO300 (30KW)	J

Cooling 092, 094, 102, 120, 122, 150, 152 Heat Pump 092, 102, 120, 150	Belt	56W50 / 603383-13	C1EHO450 (45KW)	Y
	Belt	56W51 / 603383-14	C1EHO450 (45KW)	G
	Belt	56W52 / 603383-15	C1EHO450 (45KW)	J
Cooling 092, 102, 120, 150 Heat Pump 092, 102, 122, 150	Direct	23U85 / 624324-13	E1EHO450 (45KW)	Y
	Direct	23U86 / 624324-14	E1EHO450 (45KW)	G
	Direct	23U86 / 624324-15	E1EHO450 (45KW)	J
Cooling 120, 122, 150, 152 Heat Pump 120, 150	Belt	55W02 / 603383-16	C1EHO600 (60KW)	Y
	Belt	55W03 / 603383-17	C1EHO600 (60KW)	G
	Belt	55W04 / 603383-18	C1EHO600 (60KW)	J
Cooling 120, 150 Heat Pump 122, 150	Direct	23U88 / 624324-16	E1EHO600 (60KW)	Y
	Direct	23U89 / 624324-17	E1EHO600 (60KW)	G
	Direct	23U90 / 624324-18	E1EHO600 (60KW)	J



**FIGURE 1**

**S48 DISCONNECT SWITCH OR  
CB10 CIRCUIT BREAKER LOCATION (OPTIONAL)**



**FIGURE 2**

**Electrical Connections**

Wiring must conform to local codes and NEC/CEC. Refer closely to wiring diagram in this instruction and the following information: If electric heat assembly is being installed in an existing unit, a change in power supply wiring and disconnect switch may be required. Remove the original supply wires or disconnect at power source. Refer to heater nameplate for minimum circuit ampacity and maximum fuse size.

1- Review heater installed nameplate for MCA values and enlarge power entry knockouts as needed. Refer to figure 8 for field wiring. For wiring between F4 and TB2 or CB10, use the harness provided in this kit. Likewise, for wiring between TB2 or CB10 and TB3, use the harness provided in this kit. For low voltage wiring connections, refer to unit installation instruction.

2- Make 24 volt harness jack/plug connections as follows.

*LC Units -*

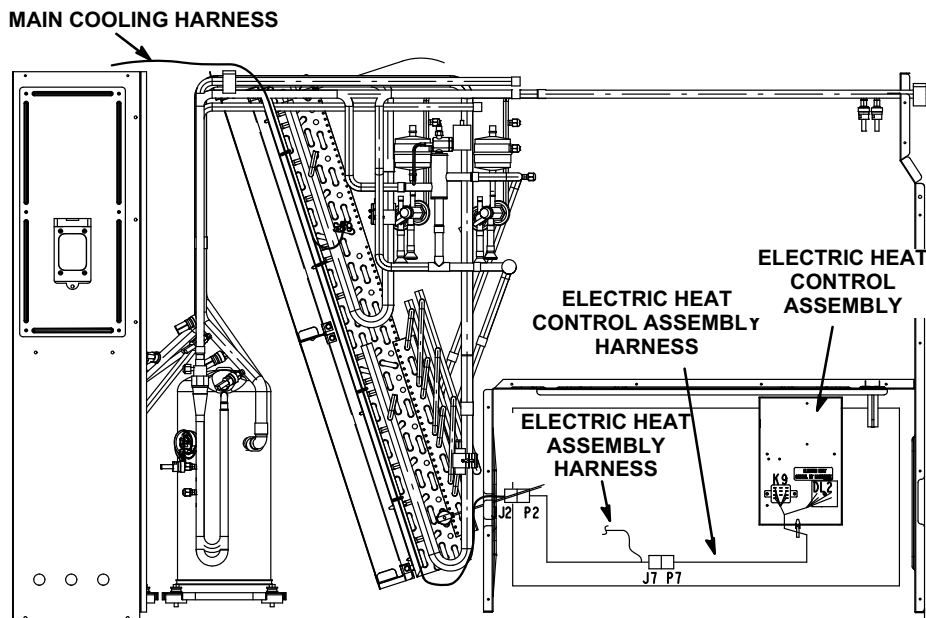
Connect electric heat jack J7 to electric heat plug P7. See figure 4.

*KC/KH Units -*

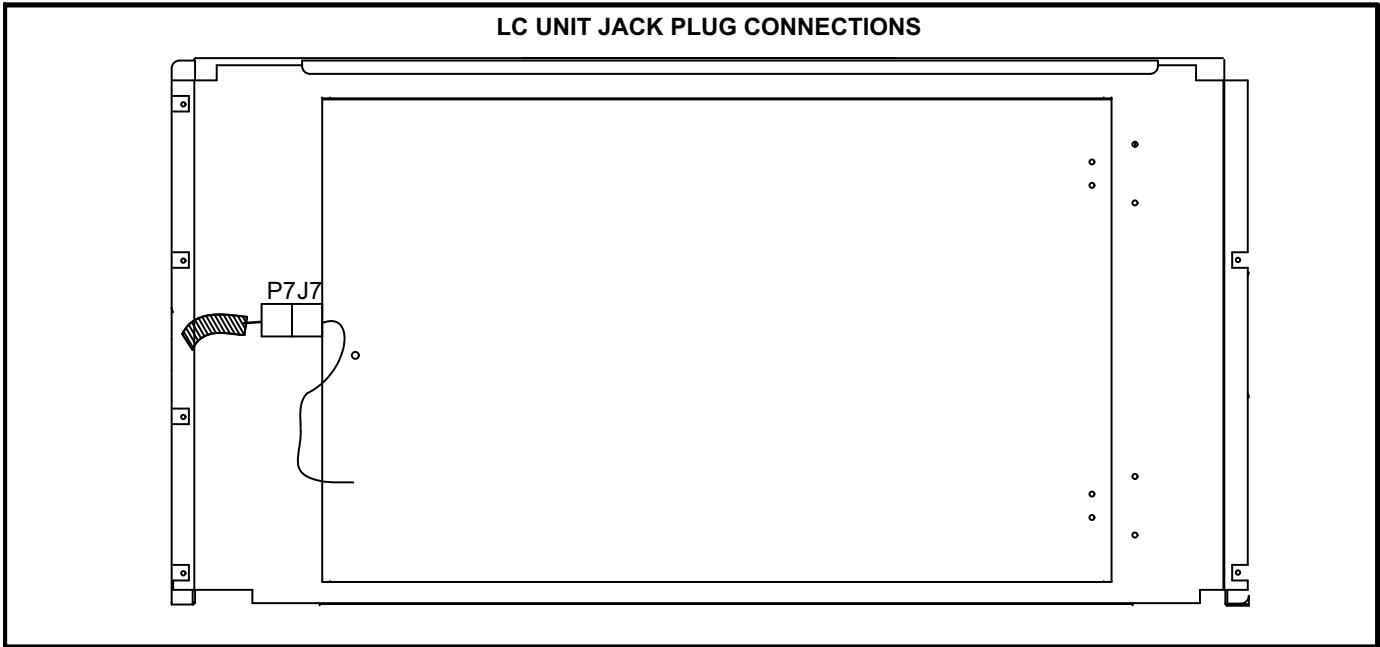
Connect electric heat jack J7 to electric heat plug P7. Connect P2 plug to main cooling harness jack J2. See figure 5.

3- Select wiring diagram with appropriate unit model number and affix to unit in location shown in figure 6.

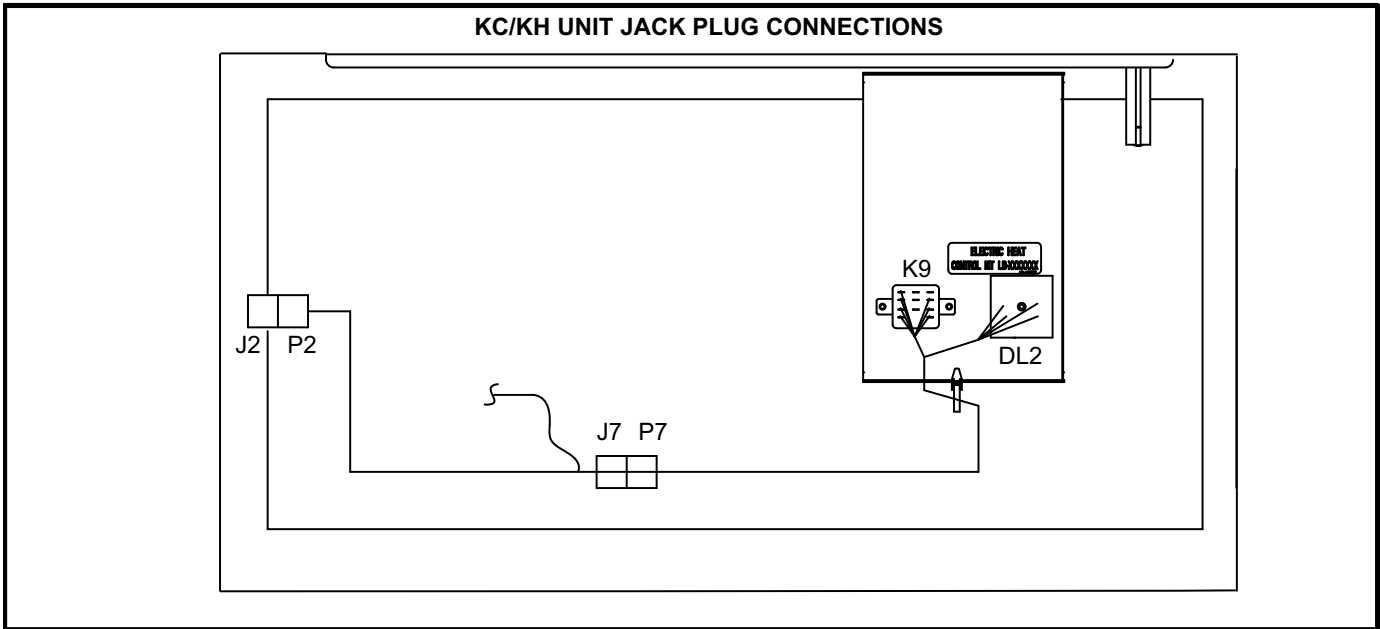
**ELECTRIC HEAT CONTROL ASSEMBLY INSTALLATION (KC/KH UNITS ONLY)**



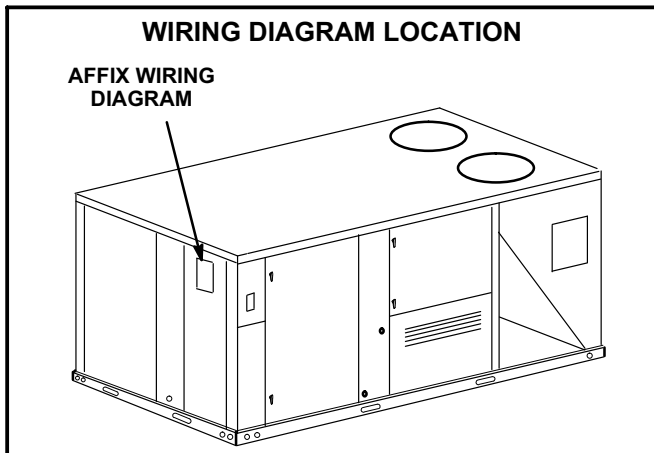
**FIGURE 3**



**FIGURE 4**



**FIGURE 5**

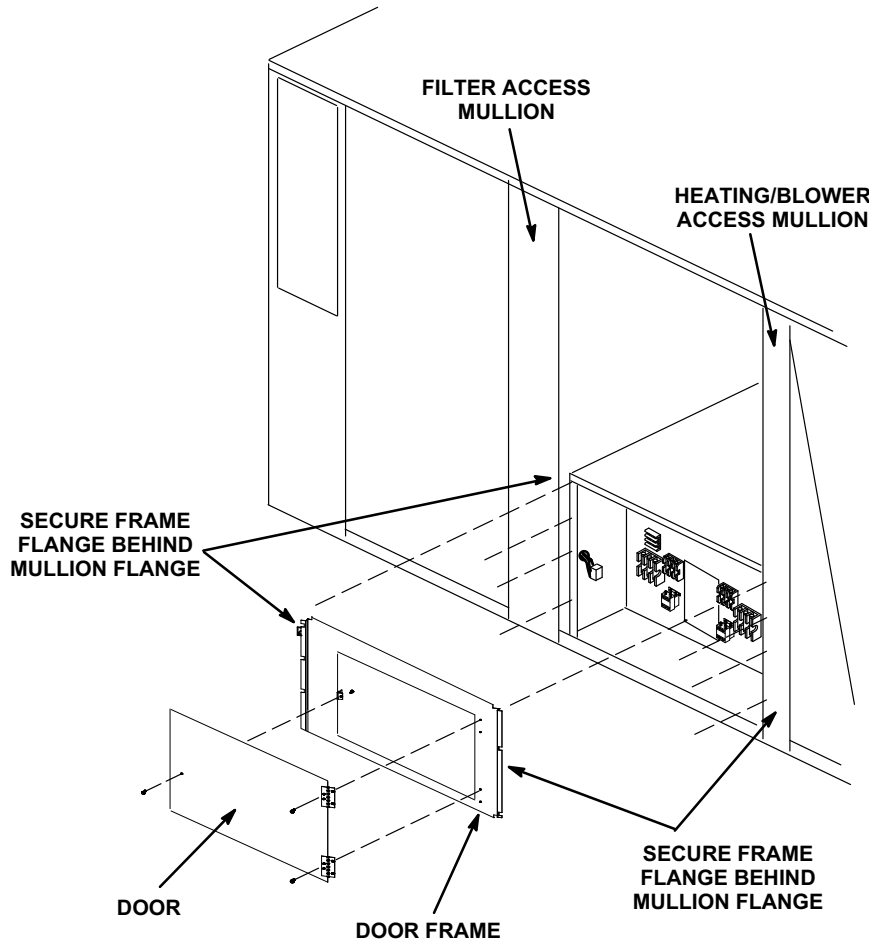


**FIGURE 6**

**Install Door Assembly - Non-Hinged Only**

- 1- Secure door frame on inside of filter access and heating/blower access mullions. Use existing screws. See figure 7.
- 2- Install hinges on electric heat door.
- 3- Install knob on electric heat door.
- 4- Install spring latch to door frame with #8 screws (provided).
- 5- Secure electric heat door hinges onto door frame. Make sure door opens to the right. Make sure door opens and closes properly; adjust hinges if necessary.

**ELECTRIC HEAT DOOR INSTALLATION -  
UNITS WITH NON-HINGED HEAT ACCESS PANELS ONLY**



**FIGURE 7**

**Blower Speed Requirements**

Electric heater applications require specific blower air volumes. Refer to blower tables in the unit installation instruction for start-up.

**Set Unit Controller**

Set the Unit Controller using one of the following menus. M2, M3, or M4 is printed near the bottom of the Unit Controller by the SBUS connector on M2 and M3 controllers and by the seven-segment display on M4 units. Refer to the Unit Controller manual provided with each rooftop unit.

**M2 Unit Controller**

Use this menu to enable the appropriate number of electric heat stages.

SETTINGS > INSTALL > ELECTRIC HEAT STAGES

**M3 Unit Controller**

The Unit Controller configuration I.D. must be set to identify that electric heat has been installed.

*Note - The number of electric heat stages do not have to be entered with version 08 and later.*

1- Use the Unit Controller keypad to enter the following menu:

MAIN MENU > SETUP > INSTALL

2- Press SAVE until CONFIGURATION ID 2 appears. Change the 9th digit to "Y" for yes.

3- Press SAVE. The Unit Controller is now set up to operate electric heat.

**M4 Unit Controller**

Use the following menu in the mobile app to enable electric heat.

RTU MENU > SETUP > INSTALL

Select configuration I.D. 2 and change (9) Field Electric Heat to Y (Installed).

## Unit Start-Up (Heating Cycle)

Set room thermostat for proper heat or auto operation if switching subbase is used. Close disconnect switch and position heat setpoint lever above room temperature. Refer to unit installation instructions for additional information on start-up operations and adjustments.

Heating supply air CFM may be adjusted from the default value. Use the installation instruction provided with each unit and refer to *Supply Air Inverter Start-Up* and *Direct Drive Variable Blower Start-Up* sections.

## Heating Operation

Cooling Units:

Single Stage (5.7, 7.5, 11.5, 15kW)

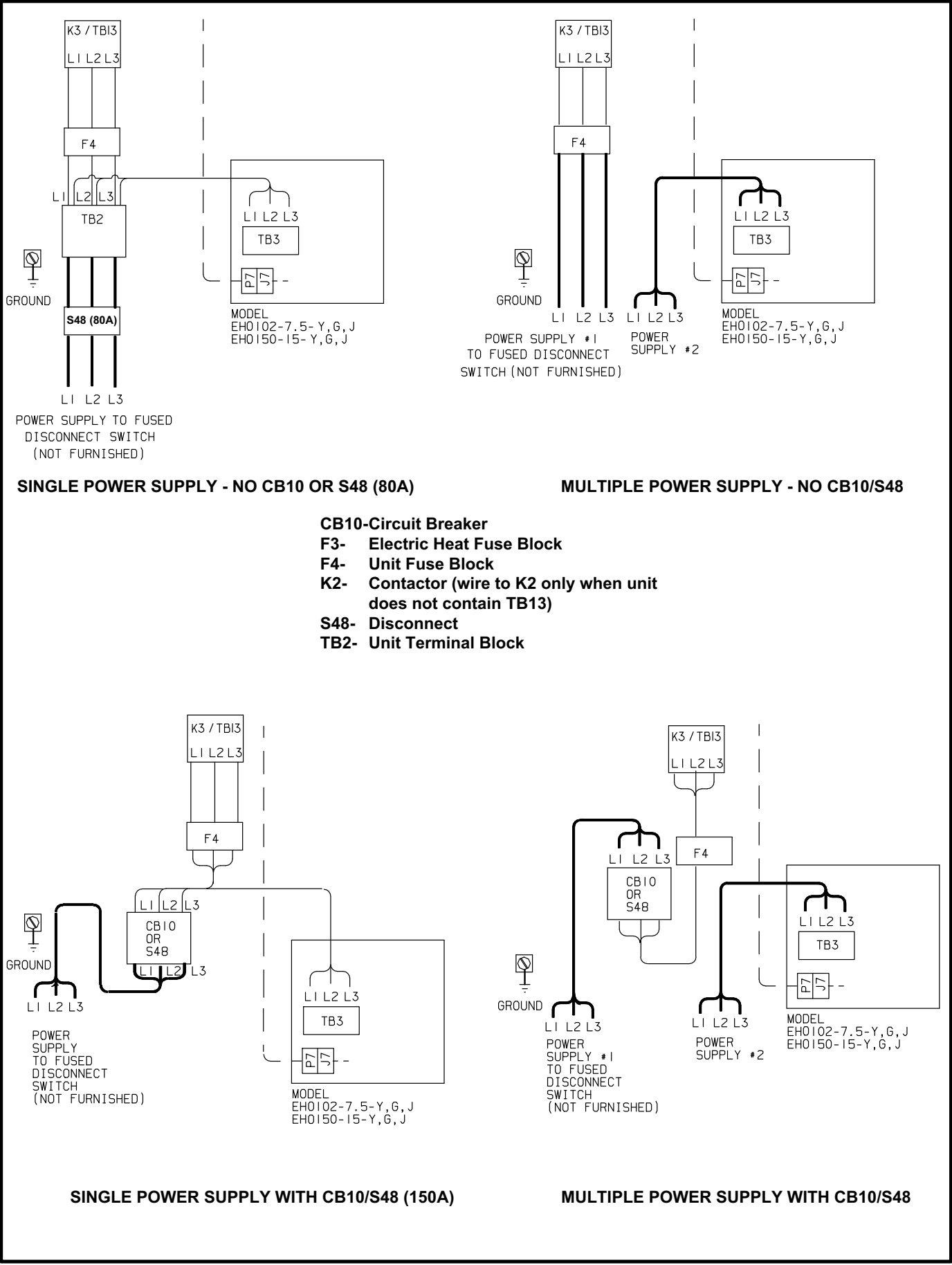
A W1 thermostat demand will energize the first stage of electric heat.

Two Stage (17.2, 22.5, 23, 30, 34.5, 45, 45.9, 60kW)

A W1 thermostat demand will energize the first stage of electric heat. A W2 thermostat demand will energize the second stage of electric heat after a 30-second delay.

Heat Pump Units:

A W1 thermostat demand will energize both compressors in heating mode (reversing valves are not energized). A W2 thermostat demand will energize the first stage of electric heat in addition to compressors operating in heat pump mode. For 22.5 through 30KW electric heat, the second stage of electric heat will be energized after a 30-second delay.



**FIGURE 8**