



**RESIDENTIAL
PRODUCT SPECIFICATIONS**

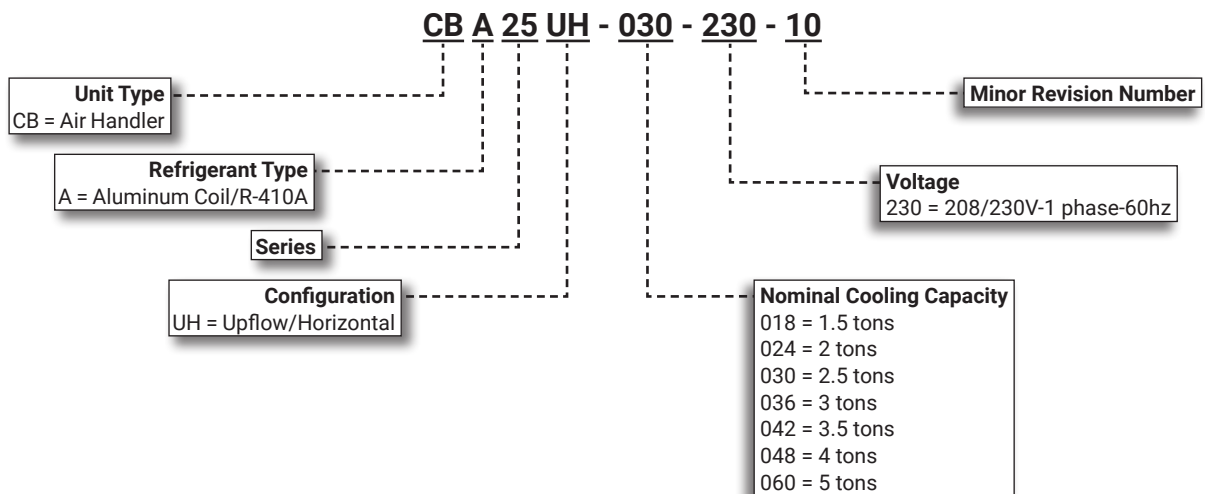
Bulletin No. 210814
June 2020
Supersedes August 2019

**MERIT®
SERIES**



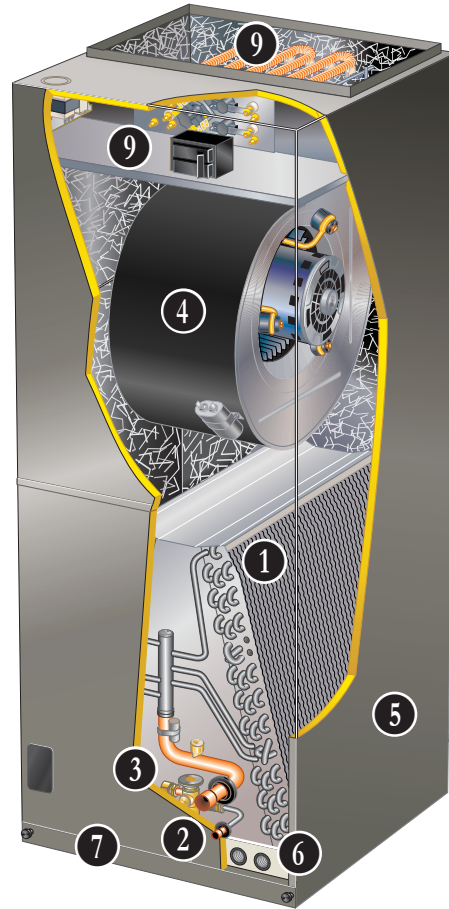
**Nominal Capacity - 1.5 to 5 Tons
Optional Electric Heat - 4 to 20 kW**

MODEL NUMBER IDENTIFICATION



FEATURE HIGHLIGHTS

1. Quantum™ Coil
2. Refrigerant Line Connections
3. Check and Expansion Valve
4. Blower Motor
5. Heavy Gauge Steel Cabinet
6. Anti-Microbial Dual Position Drain Pans
7. Air Filter
8. Transformer and Blower Relay
9. Electric Heat (option)



CONTENTS

Approvals And Warranty	3
Blower Data	7
Dimensions - Accessories	16
Dimensions - Unit	14
Electrical Data	6
Electric Heat Data	9
Features	3
Installation Clearances With Electric Heat	8
Optional Accessories - Order Separately	6
Replacement Circuit Breakers	13
Specifications	6

APPROVALS AND WARRANTY

APPROVALS

- Tested with matching air conditioners and heat pump units in the Lennox Research Laboratory environmental test room in accordance with AHRI Standard 210/240
- AHRI Certified system match-ups and expanded ratings, visit www.LennoxPros.com
- ETL Listed to US and Canadian safety standards and components within are bonded for grounding to meet safety standards for servicing required by NEC and CEC
- Optional electric heaters are ETL listed and rated in accordance with US Department of Energy (DOE) test procedures and Federal Trade Commission (FTC) labeling regulations
- Blower performance data according to unit tests conducted in Lennox air test chamber
- Approved for installation in manufactured housing and mobile homes.
- ISO 9001 Registered Manufacturing Quality System

WARRANTY

- All covered components
 - Limited five years in residential applications
 - Limited one year in non-residential applications

NOTE - Refer to Lennox® Basic Limited Warranty at www.Lennox.com for additional details.

FEATURES

APPLICATIONS

- 1.5 to 5 ton nominal sizes
- Upflow or horizontal applications

NOTE - Downflow applications require optional conversion kit.

- Applicable to R-410A expansion valve systems in cooling applications and check and expansion valve systems in heat pump applications
- Wide-range check and expansion valve is factory installed
- Optional field installed electric heaters available in several sizes for additive heating capacity

REFRIGERANT SYSTEM

- 1 Quantum™ Coil**
 - Lennox designed and fabricated coil
 - Enhanced aluminum alloy tube/enhanced fin coil for superior corrosion resistance
 - Aluminum tubing, hairpins, distributor and header tubes
 - Ripple-edged aluminum fins
 - Twin coil construction assembled in a "A" configuration for large surface area
 - Provides excellent heat transfer and low air resistance for maximum efficiency
 - Precise circuiting for uniform refrigerant distribution
 - Lanced fins provide maximum exposure of fin surface to air stream
 - Rifled tubing provides superior heat transfer
 - Coil thoroughly factory tested under high pressure to ensure leakproof construction

- 2 Refrigerant Line Connections**

- Copper refrigerant sweat connections on both liquid and suction lines for easy brazing
- Lines extend outside of the cabinet for ease of connection
- See dimension drawings for locations

- 3 Check and Expansion Valve**

- For use with R-410A systems
- Wide range valve with Chatleff style fitting
- Factory installed on all models, internal to cabinet

BLOWER

- 4 Permanent Split Capacitor (PSC) Motor (018 Through 042 Models)**

- Multi-speed PSC motor
- Choice of blower speeds
- Speed changes easily accomplished by a simple wiring change
- Blower is easily removed from unit for servicing

Constant Torque Blower Motor (048 and 060 Models)

- Programmable high efficiency multi-speed blower motor
- By maintaining constant torque output, blower motor can deliver more uniform (but not constant) airflow over the static pressure range
- Programmable multi-speed operation is achieved by the use of an ECM (Electronically Commutated Motor) motor
- Leadless blower motor features simple plug-in connections
- Choice of blower speeds is available

Time Delay Blower Relay

- Relay allows one second blower "on" delay before continuous fan or cooling operation and 45 second blower "off" delay after continuous fan or cooling operation

FEATURES

CABINET

- 5 • Constructed of heavy gauge galvanized steel
- Pre-painted cabinet finish
- Completely insulated with foil faced fiberglass insulation
- Removable panels provide complete service access
- Filter access door for easy filter replacement
- Thumbscrews hold filter door in place
- Electrical inlets provided in sides and top of cabinet
- See dimension drawing for locations
- Plugs in cabinet for drain connections for upflow (left and right) and horizontal applications
- See dimension drawing

Low Leakage Cabinet

- All models have less than 2% air leakage and meet ANSI/ASHRAE Standard 193-2010 "Method of Test for Determining the Air Tightness of HVAC Equipment"

Upflow/Horizontal Capability (Optional Downflow)

- Shipped for upflow and horizontal left-hand discharge
- May be field converted to horizontal right-hand air discharge by repositioning horizontal drain pan
- Optional downflow kit required for field conversion

6 **Anti-Microbial Dual Position Drain Pans**

- Anti-Microbial additive resists growth of mold and mildew on drain pan which improves indoor air quality and reduces drain line blockage
- Drain pans designed for upflow or horizontal applications
- Deep, corrosion resistant high temperature engineered polymer drain pans have dual pipe drains
- See dimension drawing

Optional Accessories

Downflow Conversion Kit

- Required for field conversion to downflow position
- Kit consists of insulated downflow drain pan, insulated drain pan drip shields, coil drip shields, seal plates and support brackets for repositioning coil and drain pan

Horizontal Support Frame Kit

- Provides support of unit in horizontal applications
- Consists of (2) 1 x 1-1/2 x 32-5/8 in. and (2) 1 x 3 x 53-7/8 in. painted heavy gauge cold rolled steel support channels with assembly and suspending holes
- Bolts and nuts furnished for field assembly
- Suspending rods must be field provided

Side Return Unit Stand (Upflow Only)

- Raises unit 16 in. above floor for side return air duct connection
- Eliminates need for wooden platform construction
- All aluminum construction
- Two adjustable frames fit all sizes

Wall Hanging Bracket Kit (Upflow Only)

- Allows unit to be hung on wall at any height
- Consists of heavy-gauge steel support brackets (one for air handler, one for wall mount)
- Screws furnished for fastening one bracket to unit
- Bolts for fastening one bracket to wall are field provided

High Performance Economizer (Commercial Applications Only)

- Designed for applications requiring outdoor air to be utilized in a commercial HVAC system
- Allows the entry of fresh outdoor air for free cooling, reducing the requirement for mechanical cooling
- Heavy gauge galvanized steel cabinet lined with thick fiberglass insulation
- Mixed air sensor, outdoor air sensor and 24VAC transformer furnished
- Approved for California Title 24 building standards
- ASHRAE 90.1-2010 compliant
- See separate Product Specifications bulletin for additional information and available control and sensor options

FILTER

- 7 • Disposable 1 inch filter is furnished
- Filter rack furnished in cabinet for easy filter installation
- See Specifications tables for filter sizes

FEATURES

CONTROLS

8

Transformer and Blower Cooling Relay

- 24 volt transformer and blower cooling relay furnished as standard
- Factory installed in the unit control box
- Terminal strip furnished

Optional Accessories

M30 Smart Wi-Fi Thermostat

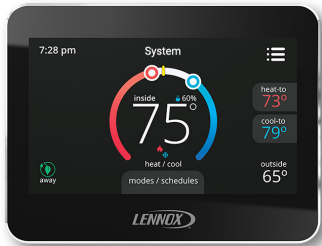
- Wi-Fi-enabled, electronic 7-day, universal, multi-stage, programmable, touchscreen thermostat
- 4 Heat/2 Cool
- Auto-changeover
- Dual-fuel control with optional outdoor sensor
- Controls dehumidification during cooling mode and humidification during heating mode
- Offers enhanced capabilities including humidification / dehumidification / dewpoint measurement and control, Humiditol® control, and equipment maintenance reminders
- Easy to read 4.3 in. color touchscreen (measured diagonally)
- LCD display with backlight shows the current and set temperature, time, inside relative humidity, system status (operating mode and schedules) and outside temperature (optional outdoor sensor required)
- Smooth Setback Recovery starts system early to achieve setpoint at start of program period
- Compressor short-cycle protection (5 minutes)
- Up to four separate schedules are available plus Schedule IQ™
- One-Touch Away Mode - A quick and easy way to set the cooling and heating setpoints while away
- Smart Away™ - Uses geo-fencing technology to determine when the homeowner is within a predetermined distance from the home to operate the system when leaving, away and arriving
- Wi-Fi remote monitoring and adjustment through a home wireless network for desktop PCs, laptops and apps for smartphones or tablets
- Smart home automation compatible with Amazon Alexa®, Google Assistant and IFTTT

NOTE - See the Lennox® M30 Smart Wi-Fi Thermostat Product Specifications bulletin in the Controls section for more information.

Remote Outdoor Temperature Sensor

- Used with the Lennox® M30 Smart Thermostat
- Outdoor sensor allows thermostat to display outdoor temperature

NOTE - Sensor is required for the Enhanced Dehumidification Accessory (EDA).



Thermostat

- Thermostat is not furnished with unit
- Lennox Price Book for selection

OPTIONAL ELECTRIC HEAT

9

- ETL listed
- Field install internal to unit cabinet
- Available in several kW sizes
- See Electric Heat tables
- Helix wound nichrome heating elements exposed directly in air stream resulting in instant heat transfer, low element temperatures and long service life
- Each element equipped with accurately located limit control with fixed temperature off setting and automatic reset
- Thermal sequencer relay brings elements on and off line, in sequence and equal increments, with time delay between each
- Initiates and terminates blower operation
- Heating control relay(s) furnished as standard
- Factory assembled with controls installed and wired
- Electric heat control wiring plugs into mating connector on air handler unit

Circuit Breaker (CB) Models

- All "CB" model heaters are equipped with circuit breakers for overload and short circuit protection
- Factory wired and mounted on electric heat unit
- Current sensitive and temperature actuated
- Manual reset
- Flexible plastic circuit breaker cover protects circuit breaker in areas with high humidity or unconditioned areas to prevent nuisance tripping
- Circuit breakers qualify as disconnect means at unit in many areas, eliminate the need for field provided disconnect
- Consult local electrical code in your area

Optional Accessories

Single-Point Power Source Control Box

- Control Box may be used with optional electric heat when single power supply is connected to multi-circuit electric heat
- Field installs external to the unit cabinet on either side or top
- Constructed of heavy gauge steel, baked enamel finish, prepunched mounting holes, electrical inlet knockouts, and terminal strip
- Removeable cover provides easy access
- Dimensions (H x W x D) - 7 x 7 x 4 in.

SPECIFICATIONS

General Data		Model Number	CBA25UH-018	CBA25UH-024	CBA25UH-030	CBA25UH-036
		Nominal tonnage	1.5	2	2.5	3
Connections	Suction/Vapor line (o.d.) - in. sweat		3/4	3/4	3/4	7/8
	Liquid line (o.d.) - in. sweat		3/8	3/8	3/8	3/8
	Condensate - in. fpt		(2) 3/4	(2) 3/4	(2) 3/4	(2) 3/4
Indoor Coil	Net face area - ft. ²		3.30	3.77	4.72	5.66
	Tube outside diameter - in.		3/8	3/8	3/8	3/8
	Number of rows		3	3	3	3
	Fins per inch		15	15	15	15
Blower	Wheel nominal diameter x width - in.		9 x 6	9 x 6	10 x 8	10 x 8
	Blower motor output - hp		1/5	1/3	1/2	1/3
¹ Filters	Size of filter - in.		15 x 20 x 1	15 x 20 x 1	15 x 20 x 1	18 x 20 x 1
Shipping Data -1 package - lbs.			129	136	143	169

ELECTRICAL DATA

Voltage - 1 phase (60 Hz)		208/230V	208/230V	208/230V	208/230V
² Maximum overcurrent protection (unit only)		15	15	15	15
³ Minimum circuit ampacity (unit only)		5.0	5.0	5.0	5.0
Blower Motor Full Load Amps		1.1	1.6	2.2	2.0

SPECIFICATIONS

General Data		Model Number	CBA25UH-042	CBA25UH-048	CBA25UH-060
		Nominal tonnage	3.5	4	5
Connections	Suction/Vapor line (o.d.) - in. sweat		7/8	7/8	7/8
	Liquid line (o.d.) - in. sweat		3/8	3/8	3/8
	Condensate - in. fpt		(2) 3/4	(2) 3/4	(2) 3/4
Indoor Coil	Net face area - ft. ²		5.66	6.13	7.08
	Tube outside diameter - in.		3/8	3/8	3/8
	Number of rows		3	3	3
	Fins per inch		15	15	15
Blower	Wheel nominal diameter x width - in.		10 x 8	12 x 10	12 x 10
	Blower motor output - hp		1/2	1	1
¹ Filters	Size of filter - in.		18 x 20 x 1	18 x 20 x 1	18 x 20 x 1
Shipping Data -1 package - lbs.			169	179	190

ELECTRICAL DATA

Voltage - 1 phase (60 Hz)		208/230V	208/230V	208/230V
² Maximum overcurrent protection (unit only)		15	15	15
³ Minimum circuit ampacity (unit only)		5.0	9.5	9.5
Blower Motor Full Load Amps		2.5	7.6	7.6

¹ Disposable filter.

² HACR type circuit breaker or fuse.

³ Refer to National or Canadian Electrical Code manual to determine wire, fuse and disconnect size requirements. Use wires suitable for at least 167°F.

OPTIONAL ACCESSORIES - ORDER SEPARATELY

Model	-018	-024 -030	-036	-042 -048 -060
M30 Smart Wi-Fi Thermostat	15Z69	15Z69	15Z69	15Z69
Remote Outdoor Temperature Sensor	X2658	X2658	X2658	X2658
Downflow Conversion Kit	Y9658	Y9658	Y9659	Y9659
Electric Heat - See Electric Heat Data Tables	4 to 20 kW			
Horizontal Support Frame Kit	56J18	56J18	56J18	56J18
Side Return Unit Stand (Upflow Only)	45K32	45K32	45K32	45K32
Single-Point Power Source Control Box (for Electric Heat)	21H39	21H39	21H39	21H39
Wall Hanging Bracket Kit (Upflow Only)	45K30	45K30	45K30	45K30
High Performance Economizer (Commercial Only)	10U53	10U53	10U53	10U53

BLOWER DATA

CBA25UH-018 PERFORMANCE

External Static Pressure in. w.g.	Air Volume / Watts at Various Blower Speeds					
	High		Medium		Low	
	cfm	Watts	cfm	Watts	cfm	Watts
0.10	920	264	690	190	540	144
0.20	880	251	670	183	525	140
0.30	855	238	640	176	505	136
0.40	790	224	605	167	470	130
0.50	710	210	550	155	420	122

NOTE - All air data measured external to unit with dry coil and 1 inch non-pleated air filter in place.
Electric heaters have no appreciable air resistance.

CBA25UH-024 PERFORMANCE

External Static Pressure in. w.g.	Air Volume / Watts at Various Blower Speeds					
	High		Medium		Low	
	cfm	Watts	cfm	Watts	cfm	Watts
0.10	1105	342	1010	280	675	210
0.20	1045	322	980	262	675	202
0.30	1000	307	940	247	655	192
0.40	915	284	805	235	630	180
0.50	855	268	740	216	590	170

NOTE - All air data measured external to unit with dry coil and 1 inch non-pleated air filter in place.
Electric heaters have no appreciable air resistance.

CBA25UH-030 PERFORMANCE

External Static Pressure in. w.g.	Air Volume / Watts at Various Blower Speeds					
	High		Medium		Low	
	cfm	Watts	cfm	Watts	cfm	Watts
0.10	1310	496	1080	391	870	310
0.20	1260	466	1055	378	870	301
0.30	1215	449	1025	361	855	288
0.40	1155	431	985	343	810	278
0.50	1085	408	935	325	770	265

NOTE - All air data measured external to unit with dry coil and 1 inch non-pleated air filter in place.
Electric heaters have no appreciable air resistance.

CBA25UH-036 PERFORMANCE

External Static Pressure in. w.g.	Air Volume / Watts at Various Blower Speeds					
	High		Medium		Low	
	cfm	Watts	cfm	Watts	cfm	Watts
0.10	1560	532	1275	402	1020	295
0.20	1520	518	1240	388	970	287
0.30	1445	502	1190	375	955	280
0.40	1395	480	1150	363	910	270
0.50	1325	460	1085	346	805	254

NOTE - All air data measured external to unit with dry coil and 1 inch non-pleated air filter in place.
Electric heaters have no appreciable air resistance.

BLOWER DATA

CBA25UH-042 PERFORMANCE

External Static Pressure in. w.g.	Air Volume / Watts at Various Blower Speeds					
	High		Medium		Low	
	cfm	Watts	cfm	Watts	cfm	Watts
0.10	1815	674	1525	498	1300	394
0.20	1755	652	1495	486	1275	387
0.30	1695	634	1450	473	1250	376
0.40	1605	607	1390	455	1210	367
0.50	1530	582	1345	441	1155	356

NOTE - All air data measured external to unit with dry coil and 1 inch non-pleated air filter in place.
Electric heaters have no appreciable air resistance.

CBA25UH-048 PERFORMANCE

External Static Pressure in. w.g.	Air Volume / Watts at Various Blower Speeds									
	High		Medium-High		Medium		Medium-Low		Low	
	cfm	Watts	cfm	Watts	cfm	Watts	cfm	Watts	cfm	Watts
0.10	1895	597	1770	493	1715	454	1500	315	1250	211
0.20	1860	629	1735	510	1670	470	1465	331	1210	222
0.30	1835	632	1700	529	1635	487	1435	348	1185	231
0.40	1795	656	1670	544	1615	504	1400	364	1130	239
0.50	1760	667	1650	552	1575	514	1360	379	1110	251

NOTE - All air data measured external to unit with dry coil and 1 inch non-pleated air filter in place.
Electric heaters have no appreciable air resistance.

CBA25UH-060 PERFORMANCE

External Static Pressure in. w.g.	Air Volume / Watts at Various Blower Speeds									
	High		Medium-High		Medium		Medium-Low		Low	
	cfm	Watts	cfm	Watts	cfm	Watts	cfm	Watts	cfm	Watts
0.10	1980	624	1905	538	1815	484	1625	354	1100	132
0.20	1955	644	1870	563	1785	493	1595	365	1050	140
0.30	1925	643	1835	568	1760	507	1565	385	1000	144
0.40	1895	663	1810	585	1730	527	1520	398	925	162
0.50	1860	673	1765	595	1685	542	1490	398	830	172

NOTE - All air data measured external to unit with dry coil and 1 inch non-pleated air filter in place.
Electric heaters have no appreciable air resistance.

INSTALLATION CLEARANCES WITH ELECTRIC HEAT

Cabinet	0 inch (0 mm)
To Plenum	0 inch (0 mm)
To Outlet Duct within 3 feet (914 mm)	0 inch (0 mm)
Floor	0 inch (0 mm) See Note #1
Service / Maintenance	See Note #2

¹ Units installed on combustible floors in the downflow position with electric heat do not require a downflow combustible flooring base.

² Front service access - 24 inches (610 mm) minimum.

NOTE - If cabinet depth is more than 24 inches (610 mm), allow a minimum of the cabinet depth plus 2 inches (51 mm).

ELECTRIC HEAT DATA

CBA25UH-018 | SINGLE PHASE

	Electric Heat Model Number	Input			Blower Motor Full Load Amps	² Minimum Circuit Ampacity	³ Maximum Overcurrent Protection
		Volt	kW	¹ Btuh			
4 kW	ECBA25-4 (19V31) Terminal Block	208	3.0	10,250	1.1	19	⁴ 20
		220	3.4	11,450	1.1	20	⁴ 20
	ECBA25-4CB (19V32) 30A Circuit Breaker	230	3.7	12,550	1.1	21	⁴ 25
		240	4.0	13,650	1.1	22	⁴ 25
5 kW	ECBA25-5 (16Y36) Terminal Block	208	3.6	12,300	1.1	23	⁴ 25
		220	4.0	13,800	1.1	24	⁴ 25
	ECBA25-5CB (16Y39) 30A Circuit Breaker	230	4.4	15,000	1.1	25	⁴ 25
		240	4.8	16,400	1.1	26	30
7.5 kW	ECBA25-7.5 (16Y37) Terminal Block	208	5.6	19,200	1.1	35	35
		220	6.3	21,500	1.1	37	⁴ 40
	ECBA25-7.5CB (16Y41) 45A Circuit Breaker	230	6.9	23,500	1.1	39	⁴ 40
		240	7.5	25,600	1.1	40	⁴ 40
10 kW	ECBA25-10 (16Y38) Terminal Block	208	7.2	24,600	1.1	45	⁴ 45
		220	8.0	27,500	1.1	47	⁴ 50
	ECBA25-10CB (16Y42) 60A Circuit Breaker	230	8.8	30,000	1.1	49	⁴ 50
		240	9.6	32,700	1.1	51	60

ELECTRIC HEAT DATA

CBA25UH-024 | SINGLE PHASE

	Electric Heat Model Number	Input			Blower Motor Full Load Amps	² Minimum Circuit Ampacity	³ Maximum Overcurrent Protection
		Volt	kW	¹ Btuh			
4 kW	ECBA25-4 (19V31) Terminal Block	208	3.0	10,250	1.6	20	⁴ 20
		220	3.4	11,450	1.6	21	⁴ 25
	ECBA25-4CB (19V32) 30A Circuit Breaker	230	3.7	12,550	1.6	22	⁴ 25
		240	4.0	13,650	1.6	23	⁴ 25
5 kW	ECBA25-5 (16Y36) Terminal Block	208	3.6	12,300	1.6	24	⁴ 25
		220	4.0	13,800	1.6	25	⁴ 25
	ECBA25-5CB (16Y39) 30A Circuit Breaker	230	4.4	15,000	1.6	26	30
		240	4.8	16,400	1.6	27	30
7.5 kW	ECBA25-7.5 (16Y37) Terminal Block	208	5.6	19,200	1.6	36	⁴ 40
		220	6.3	21,500	1.6	38	⁴ 40
	ECBA25-7.5CB (16Y41) 45A Circuit Breaker	230	6.9	23,500	1.6	39	⁴ 40
		240	7.5	25,600	1.6	41	45
10 kW	ECBA25-10 (16Y38) Terminal Block	208	7.2	24,600	1.6	45	⁴ 45
		220	8.0	27,500	1.6	48	⁴ 50
	ECBA25-10CB (16Y42) 60A Circuit Breaker	230	8.8	30,000	1.6	50	⁴ 50
		240	9.6	32,700	1.6	52	60

NOTE - Circuit 1 Minimum Circuit Ampacity includes the Blower Motor Full Load Amps.

¹ Electric heater capacity only - does not include additional blower motor heat capacity.

² Refer to National or Canadian Electrical Code manual to determine wire, fuse and disconnect size requirements. Use wires suitable for at least 167°F.

³ HACR type breaker or fuse.

⁴ Bold indicates that the circuit breaker on "CB" circuit breaker models must be replaced with size shown. See table on page 13.

ELECTRIC HEAT DATA

CBA25UH-030 | SINGLE PHASE

	Electric Heat Model Number	Input			Blower Motor Full Load Amps	² Minimum Circuit Ampacity		³ Maximum Overcurrent Protection		Single Point Power Source	
		Volt	kW	¹ Btuh		Ckt 1	Ckt 2	Ckt 1	Ckt 2	² Minimum Circuit Ampacity	³ Maximum Overcurrent Protection
4 kW	ECBA25-4 (19V31) Terminal Block	208	3.0	10,250	2.2	21	---	⁴25	---	---	---
	ECBA25-4CB (19V32) 30A Circuit Breaker	220	3.4	11,450	2.2	22	---	⁴25	---	---	---
		230	3.7	12,550	2.2	23	---	⁴25	---	---	---
		240	4.0	13,650	2.2	24	---	⁴25	---	---	---
5 kW	ECBA25-5 (16Y36) Terminal Block	208	3.6	12,300	2.2	24	---	⁴25	---	---	---
	ECBA25-5CB (16Y39) 30A Circuit Breaker	220	4.0	13,800	2.2	26	---	30	---	---	---
		230	4.4	15,000	2.2	27	---	30	---	---	---
		240	4.8	16,400	2.2	28	---	30	---	---	---
7.5 kW	ECBA25-7.5 (16Y37) Terminal Block	208	5.6	19,200	2.2	37	---	⁴40	---	---	---
	ECBA25-7.5CB (16Y41) 45A Circuit Breaker	220	6.3	21,500	2.2	39	---	⁴40	---	---	---
		230	6.9	23,500	2.2	40	---	⁴40	---	---	---
		240	7.5	25,600	2.2	42	---	45	---	---	---
10 kW	ECBA25-10 (16Y38) Terminal Block	208	7.2	24,600	2.2	46	---	⁴50	---	---	---
	ECBA25-10CB (16Y42) 60A Circuit Breaker	220	8.0	27,500	2.2	49	---	⁴50	---	---	---
		230	8.8	30,000	2.2	51	---	60	---	---	---
		240	9.6	32,700	2.2	53	---	60	---	---	---
12.5 kW	ECBA25-12.5CB (16Y43) (1) 50A and (1) 25A Circuit Breaker	208	9.4	32,000	2.2	40	19	⁴40	⁴20	59	60
		220	10.5	35,800	2.2	43	20	⁴45	⁴20	62	70
		230	11.5	39,200	2.2	44	21	⁴45	25	65	70
		240	12.5	42,600	2.2	46	22	50	25	68	70
15 kW	ECBA25-15CB (16Y44) (1) 60A and (1) 25A Circuit Breaker	208	10.8	36,900	2.2	46	22	⁴50	25	68	70
		220	12.1	41,300	2.2	49	23	⁴50	25	72	80
		230	13.2	45,100	2.2	51	24	60	25	75	80
		240	14.4	49,100	2.2	53	25	60	25	78	80

NOTE - Circuit 1 Minimum Circuit Ampacity includes the Blower Motor Full Load Amps.

¹ Electric heater capacity only - does not include additional blower motor heat capacity.

² Refer to National or Canadian Electrical Code manual to determine wire, fuse and disconnect size requirements. Use wires suitable for at least 167°F.

³ HACR type breaker or fuse.

⁴ **Bold indicates that the circuit breaker on "CB" circuit breaker models must be replaced with size shown. See table on page 13.**

ELECTRIC HEAT DATA

CBA25UH-036 | SINGLE PHASE

Electric Heat Model Number	Input			Blower Motor Full Load Amps	² Minimum Circuit Ampacity		³ Maximum Overcurrent Protection		Single Point Power Source	
	Volt	kW	¹ Btuh		Ckt 1	Ckt 2	Ckt 1	Ckt 2	² Minimum Circuit Ampacity	³ Maximum Overcurrent Protection
4 kW ECBA25-4 (19V31) Terminal Block ECBA25-4CB (19V32) 30A Circuit Breaker	208	3.0	10,250	2.0	21	---	⁴ 25	---	---	---
	220	3.4	11,450	2.0	22	---	⁴ 25	---	---	---
	230	3.7	12,550	2.0	22	---	⁴ 25	---	---	---
	240	4.0	13,650	2.0	23	---	⁴ 25	---	---	---
5 kW ECBA25-5 (16Y36) Terminal Block ECBA25-5CB (16Y39) 30A Circuit Breaker	208	3.6	12,300	2.0	24	---	⁴ 25	---	---	---
	220	4.0	13,800	2.0	25	---	⁴ 25	---	---	---
	230	4.4	15,000	2.0	26	---	30	---	---	---
	240	4.8	16,400	2.0	28	---	30	---	---	---
7.5 kW ECBA25-7.5 (16Y37) Terminal Block ECBA25-7.5CB (16Y41) 45A Circuit Breaker	208	5.6	19,200	2.0	36	---	⁴ 40	---	---	---
	220	6.3	21,500	2.0	38	---	⁴ 40	---	---	---
	230	6.9	23,500	2.0	40	---	⁴ 40	---	---	---
	240	7.5	25,600	2.0	42	---	45	---	---	---
10 kW ECBA25-10 (16Y38) Terminal Block ECBA25-10CB (16Y42) 60A Circuit Breaker	208	7.2	24,600	2.0	46	---	⁴ 50	---	---	---
	220	8.0	27,500	2.0	48	---	⁴ 50	---	---	---
	230	8.8	30,000	2.0	50	---	⁴ 50	---	---	---
	240	9.6	32,700	2.0	53	---	60	---	---	---
12.5 kW ECBA25-12.5CB (16Y43) (1) 50A and (1) 25A Circuit Breaker	208	9.4	32,000	2.0	40	19	⁴ 40	⁴ 20	59	60
	220	10.5	35,800	2.0	42	20	⁴ 45	⁴ 20	62	70
	230	11.5	39,200	2.0	44	21	⁴ 45	25	65	70
	240	12.5	42,600	2.0	46	22	50	25	68	70
15 kW ECBA25-15CB (16Y44) (1) 60A and (1) 25A Circuit Breaker	208	10.8	36,900	2.0	46	22	⁴ 50	25	68	70
	220	12.1	41,300	2.0	48	23	⁴ 50	25	71	80
	230	13.2	45,100	2.0	50	24	⁴ 50	25	74	80
	240	14.4	49,100	2.0	53	25	60	25	78	80

NOTE - Circuit 1 Minimum Circuit Ampacity includes the Blower Motor Full Load Amps.

¹ Electric heater capacity only - does not include additional blower motor heat capacity.

² Refer to National or Canadian Electrical Code manual to determine wire, fuse and disconnect size requirements. Use wires suitable for at least 167°F.

³ HACR type breaker or fuse.

⁴ Bold indicates that the circuit breaker on "CB" circuit breaker models must be replaced with size shown. See table on page 13.

ELECTRIC HEAT DATA

CBA25UH-042 | SINGLE PHASE

	Electric Heat Model Number	Input			Blower Motor Full Load Amps	² Minimum Circuit Ampacity		³ Maximum Overcurrent Protection		Single Point Power Source	
		Volt	kW	¹ Btuh		Ckt 1	Ckt 2	Ckt 1	Ckt 2	² Minimum Circuit Ampacity	³ Maximum Overcurrent Protection
4 kW	ECBA25-4 (19V31) Terminal Block ECBA25-4CB (19V32) 30A Circuit Breaker	208	3.0	10,250	2.5	21	---	⁴ 25	---	---	---
		220	3.4	11,450	2.5	22	---	⁴ 25	---	---	---
		230	3.7	12,550	2.5	23	---	⁴ 25	---	---	---
		240	4.0	13,650	2.5	24	---	⁴ 25	---	---	---
5 kW	ECBA25-5 (16Y36) Terminal Block ECBA25-5CB (16Y39) 30A Circuit Breaker	208	3.6	12,300	2.5	25	---	⁴ 25	---	---	---
		220	4.0	13,800	2.5	26	---	30	---	---	---
		230	4.4	15,000	2.5	27	---	30	---	---	---
		240	4.8	16,400	2.5	28	---	30	---	---	---
7.5 kW	ECBA25-7.5 (16Y37) Terminal Block ECBA25-7.5CB (16Y41) 45A Circuit Breaker	208	5.6	19,200	2.5	37	---	⁴ 40	---	---	---
		220	6.3	21,500	2.5	39	---	⁴ 40	---	---	---
		230	6.9	23,500	2.5	41	---	45	---	---	---
		240	7.5	25,600	2.5	42	---	45	---	---	---
10 kW	ECBA25-10 (16Y38) Terminal Block ECBA25-10CB (16Y42) 60A Circuit Breaker	208	7.2	24,600	2.5	46	---	⁴ 50	---	---	---
		220	8.0	27,500	2.5	49	---	⁴ 50	---	---	---
		230	8.8	30,000	2.5	51	---	60	---	---	---
		240	9.6	32,700	2.5	53	---	60	---	---	---
12.5 kW	ECBA25-12.5CB (16Y43) (1) 50A and (1) 25A Circuit Breaker	208	9.4	32,000	2.5	41	19	⁴ 45	⁴ 20	60	60
		220	10.5	35,800	2.5	43	20	⁴ 45	⁴ 20	63	70
		230	11.5	39,200	2.5	45	21	⁴ 45	25	66	70
		240	12.5	42,600	2.5	47	22	50	25	68	70
15 kW	ECBA25-15CB (16Y44) (1) 60A and (1) 25A Circuit Breaker	208	10.8	36,900	2.5	46	22	⁴ 50	25	68	70
		220	12.1	41,300	2.5	49	23	⁴ 50	25	72	80
		230	13.2	45,100	2.5	51	24	60	25	75	80
		240	14.4	49,100	2.5	53	25	60	25	78	80

NOTE - Circuit 1 Minimum Circuit Ampacity includes the Blower Motor Full Load Amps.

¹ Electric heater capacity only - does not include additional blower motor heat capacity.

² Refer to National or Canadian Electrical Code manual to determine wire, fuse and disconnect size requirements. Use wires suitable for at least 167°F.

³ HACR type breaker or fuse.

⁴ Bold indicates that the circuit breaker on "CB" circuit breaker models must be replaced with size shown. See table on page 13.

ELECTRIC HEAT DATA

CBA25UH-048 | CBA25UH-060 | SINGLE PHASE

Electric Heat Model Number	Input			Blower Motor Full Load Amps	² Minimum Circuit Ampacity		³ Maximum Overcurrent Protection		Single Point Power Source	
	Volt	kW	¹ Btuh		Ckt 1	Ckt 2	Ckt 1	Ckt 2	² Minimum Circuit Ampacity	³ Maximum Overcurrent Protection
4 kW ECBA25-4 (19V31) Terminal Block ECBA25-4CB (19V32) 30A Circuit Breaker	208	3.0	10,250	7.6	28	---	30	---	---	---
	220	3.4	11,450	7.6	29	---	30	---	---	---
	230	3.7	12,550	7.6	29	---	30	---	---	---
	240	4.0	13,650	7.6	30	---	30	---	---	---
5 kW ECBA25-5 (16Y36) Terminal Block ECBA25-5CB (16Y39) 30A Circuit Breaker	208	3.6	12,300	7.6	31	---	435	---	---	---
	220	4.0	13,800	7.6	32	---	435	---	---	---
	230	4.4	15,000	7.6	33	---	435	---	---	---
	240	4.8	16,400	7.6	35	---	435	---	---	---
7.5 kW ECBA25-7.5 (16Y37) Terminal Block ECBA25-7.5CB (16Y41) 45A Circuit Breaker	208	5.6	19,200	7.6	43	---	45	---	---	---
	220	6.3	21,500	7.6	45	---	45	---	---	---
	230	6.9	23,500	7.6	47	---	450	---	---	---
	240	7.5	25,600	7.6	49	---	450	---	---	---
10 kW ECBA25-10 (16Y38) Terminal Block ECBA25-10CB (16Y42) 60A Circuit Breaker	208	7.2	24,600	7.6	53	---	60	---	---	---
	220	8.0	27,500	7.6	55	---	60	---	---	---
	230	8.8	30,000	7.6	57	---	60	---	---	---
	240	9.6	32,700	7.6	60	---	60	---	---	---
12.5 kW ECBA25-12.5CB (16Y43) (1) 50A and (1) 25A Circuit Breaker	208	9.4	32,000	7.6	47	19	50	420	66	70
	220	10.5	35,800	7.6	49	20	50	420	69	70
	230	11.5	39,200	7.6	51	21	460	25	72	80
	240	12.5	42,600	7.6	53	22	460	25	75	80
15 kW ECBA25-15CB (16Y44) (1) 60A and (1) 25A Circuit Breaker	208	10.8	36,900	7.6	53	22	60	25	75	80
	220	12.1	41,300	7.6	55	23	60	25	78	80
	230	13.2	45,100	7.6	57	24	60	25	81	90
	240	14.4	49,100	7.6	60	25	60	25	85	90
20 kW ECBA25-20CB (16Y46) (1) 60A and (1) 50A Circuit Breaker	208	14.4	49,200	7.6	53	43	60	445	96	100
	220	16.1	55,000	7.6	55	46	60	50	101	110
	230	17.6	60,100	7.6	57	48	60	50	105	110
	240	19.2	65,500	7.6	60	50	60	50	110	110

NOTE - Circuit 1 Minimum Circuit Ampacity includes the Blower Motor Full Load Amps.

¹ Electric heater capacity only - does not include additional blower motor heat capacity.

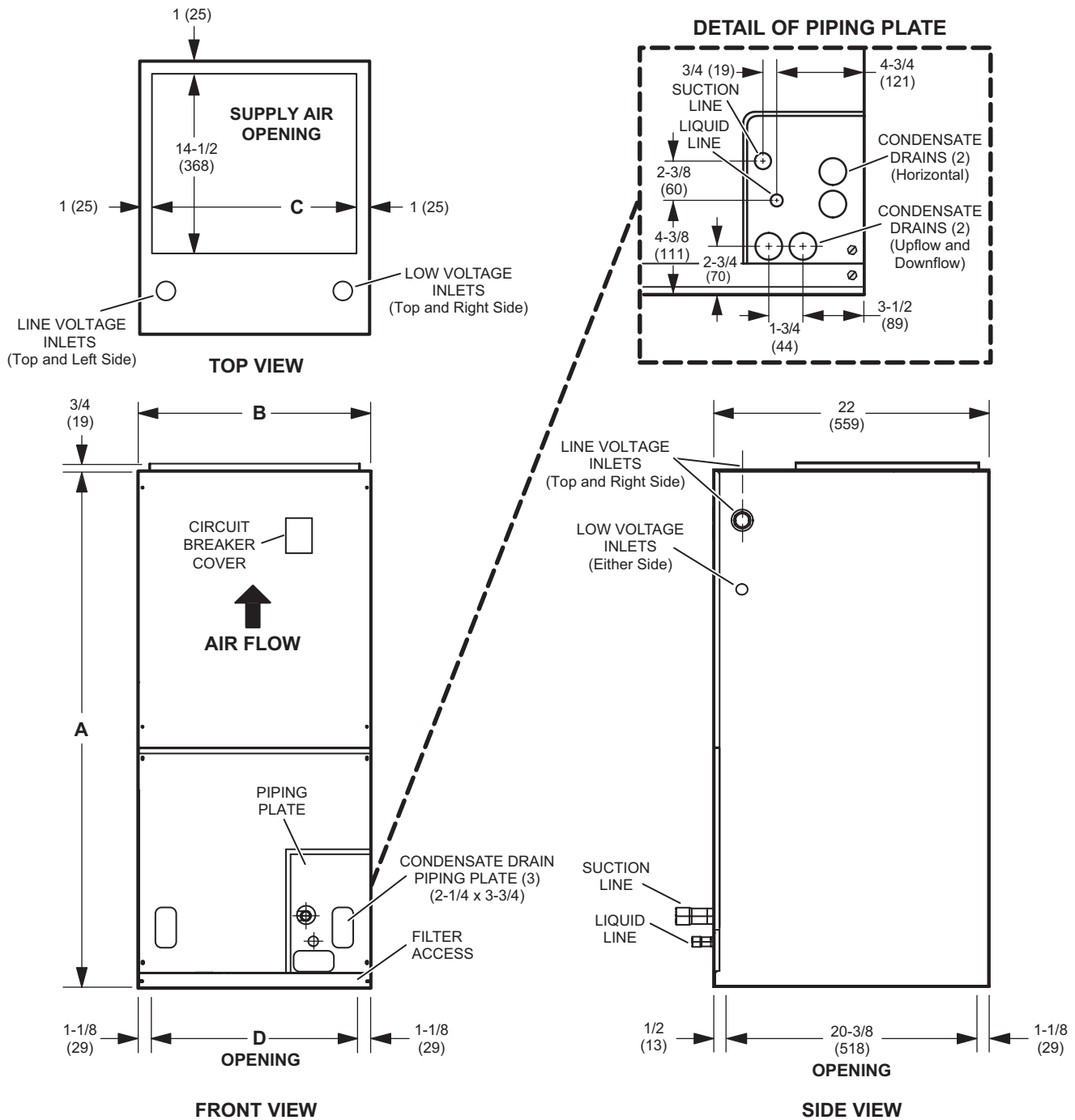
² Refer to National or Canadian Electrical Code manual to determine wire, fuse and disconnect size requirements. Use wires suitable for at least 167°F.

³ HACR type breaker or fuse.

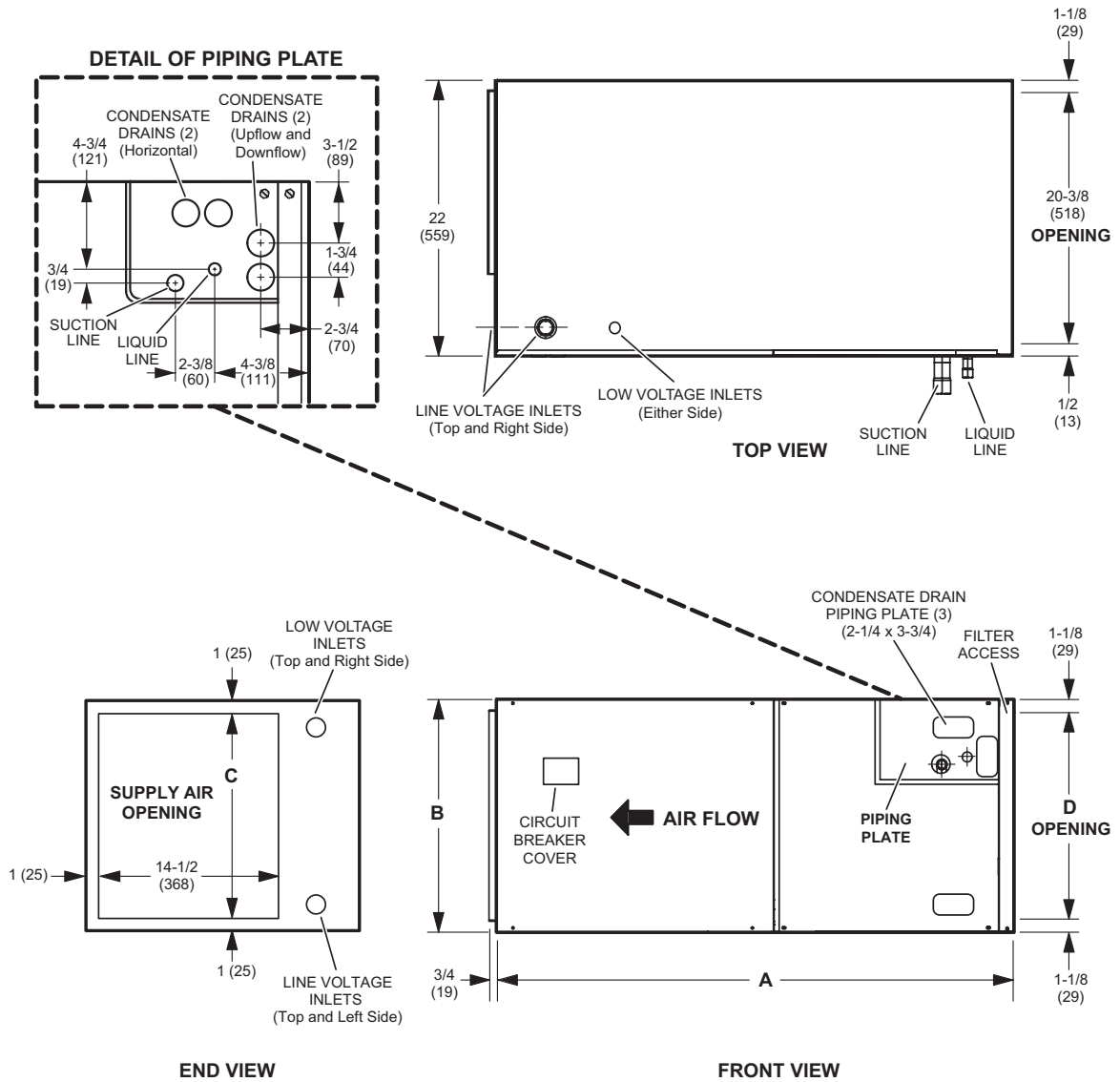
⁴ Bold indicates that the circuit breaker on "CB" circuit breaker models must be replaced with size shown. See table on page 13.

REPLACEMENT CIRCUIT BREAKERS

Voltage	Description	Catalog No.
208/240V - 1 Phase	25 amp, 2 pole	41K13
	30 amp, 2 pole	17K70
	35 amp, 2 pole	72K07
	40 amp, 2 pole	49K14
	45 amp, 2 pole	17K71
	50 amp, 2 pole	41K12
	60 amp, 2 pole	17K72



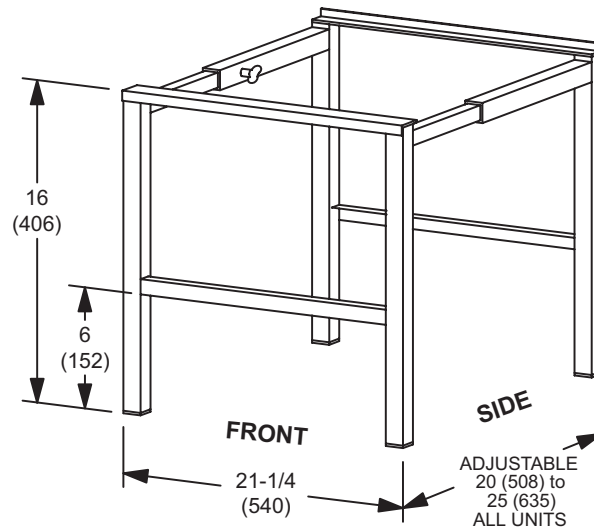
Dimensions	018		024		030		036, 042		048		060	
	in.	mm	in.	mm	in.	mm	in.	mm	in.	mm	in.	mm
A	43-1/2	1105	45-1/2	1156	47	1194	53-5/8	1362	55	1397	59-3/4	1518
B	18-1/2	470	18-1/2	470	18-1/2	470	21-1/2	546	21-1/2	546	21-1/2	546
C	16-1/2	419	16-1/2	419	16-1/2	419	19-1/2	495	19-1/2	495	19-1/2	495
D	16-1/4	413	16-1/4	413	16-1/4	413	19-1/4	489	19-1/4	489	19-1/4	489



Dimensions	018		024		030		036, 042		048		060	
	in.	mm	in.	mm	in.	mm	in.	mm	in.	mm	in.	mm
A	43-1/2	1105	45-1/2	1156	47	1194	53-5/8	1362	55	1397	59-3/4	1518
B	18-1/2	470	18-1/2	470	18-1/2	470	21-1/2	546	21-1/2	546	21-1/2	546
C	16-1/2	419	16-1/2	419	16-1/2	419	19-1/2	495	19-1/2	495	19-1/2	495
D	16-1/4	413	16-1/4	413	16-1/4	413	19-1/4	489	19-1/4	489	19-1/4	489

DIMENSIONS - ACCESSORIES

SIDE RETURN UNIT STAND (Upflow Only)



REVISIONS

Sections	Description of Change
Electric Heat	Added new 4 kW models.



Visit us at www.lennox.com

For the latest technical information, www.LennoxPros.com

Contact us at 1-800-9-LENNOX

NOTE - Due to Lennox' ongoing commitment to quality, Specifications, Ratings and Dimensions subject to change without notice and without incurring liability. Improper installation, adjustment, alteration, service or maintenance can cause property damage or personal injury. Installation and service must be performed by a qualified installer and servicing agency.

©2020 Lennox Industries, Inc.