

INSTALLATION INSTRUCTIONS

V8V33B001-3P

VRF Systems -- V33B High Efficiency Filter Accessory
507953-01
04/2019



⚠ WARNING

Improper installation, adjustment, alteration, service or maintenance can cause property damage, personal injury or loss of life. Installation and service must be performed by a licensed professional HVAC installer or equivalent, service agency, or the gas supplier.

⚠ IMPORTANT

Read all of the information in this manual before using this accessory. All wiring must conform to local and national building and electrical codes and ordinances.

General

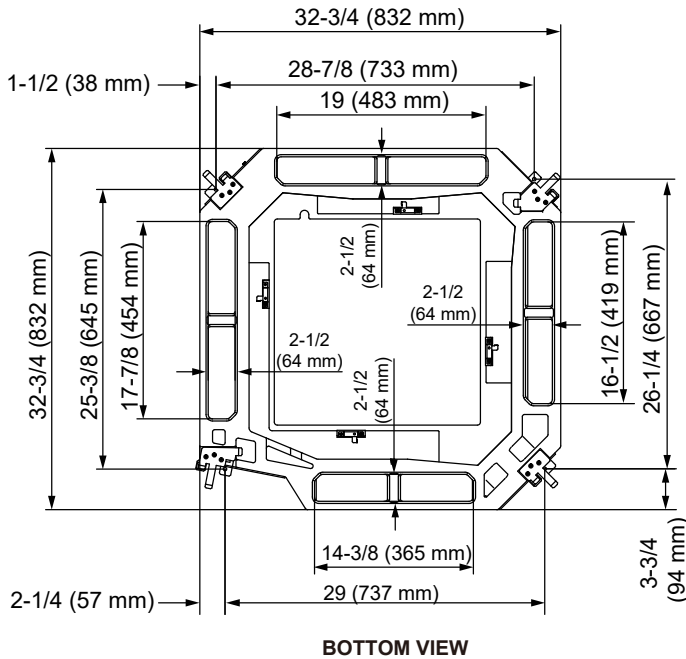
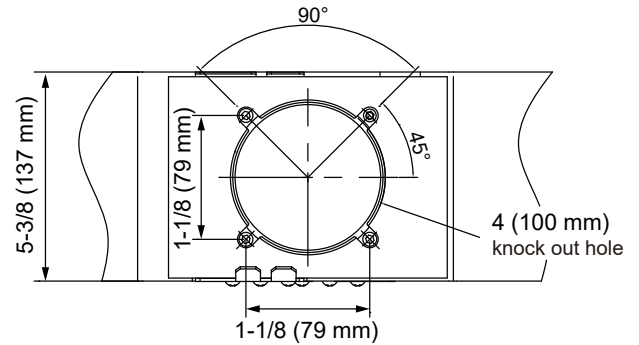
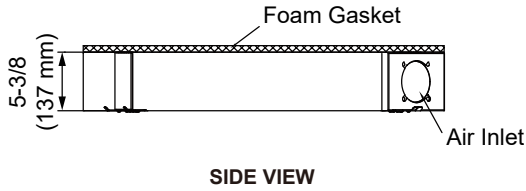
The V33B High Efficiency Filter accessory V8V33B001-3P (18F53) is for use in applications with a 3rd-party, high MERV-rated filter for optimal indoor air quality. The accessory housing features outside air knockouts for use in complying with fresh air requirements. The high efficiency filter accessory is designed for use with the V33B 360° Cassette only. Refer to the V33B Cassette installation instructions for additional information on these units.

Shipping and Packing List

Package 1 of 1 contains:

- 1 - V33B High Efficiency Filter Accessory Kit
- 12 - Screws
- 1 - Installation manual

Unit Dimensions - inches (mm)



Preparation

1. Select one to three air inlet knockouts to use to bring in air.
2. Cut out the knockout(s).
3. Install the indoor unit per the unit's installation manual.
4. Connect all piping and wiring to the indoor unit.
5. Connect high efficiency filter accessory to indoor unit.
6. Connect indoor unit cover panel to high efficiency filter accessory.

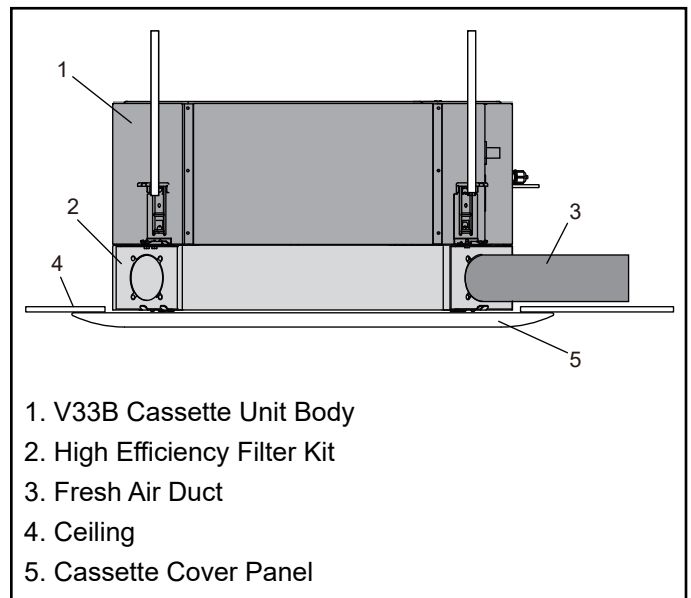


Figure 1. Fully Assembled Installation

Installation

1. Remove screws from cassette body as shown in Figure 2. Retain screws for later use.
2. Remove hook from cassette body as shown in Figure 2. Re-install one screw. Retain one screw for later use.

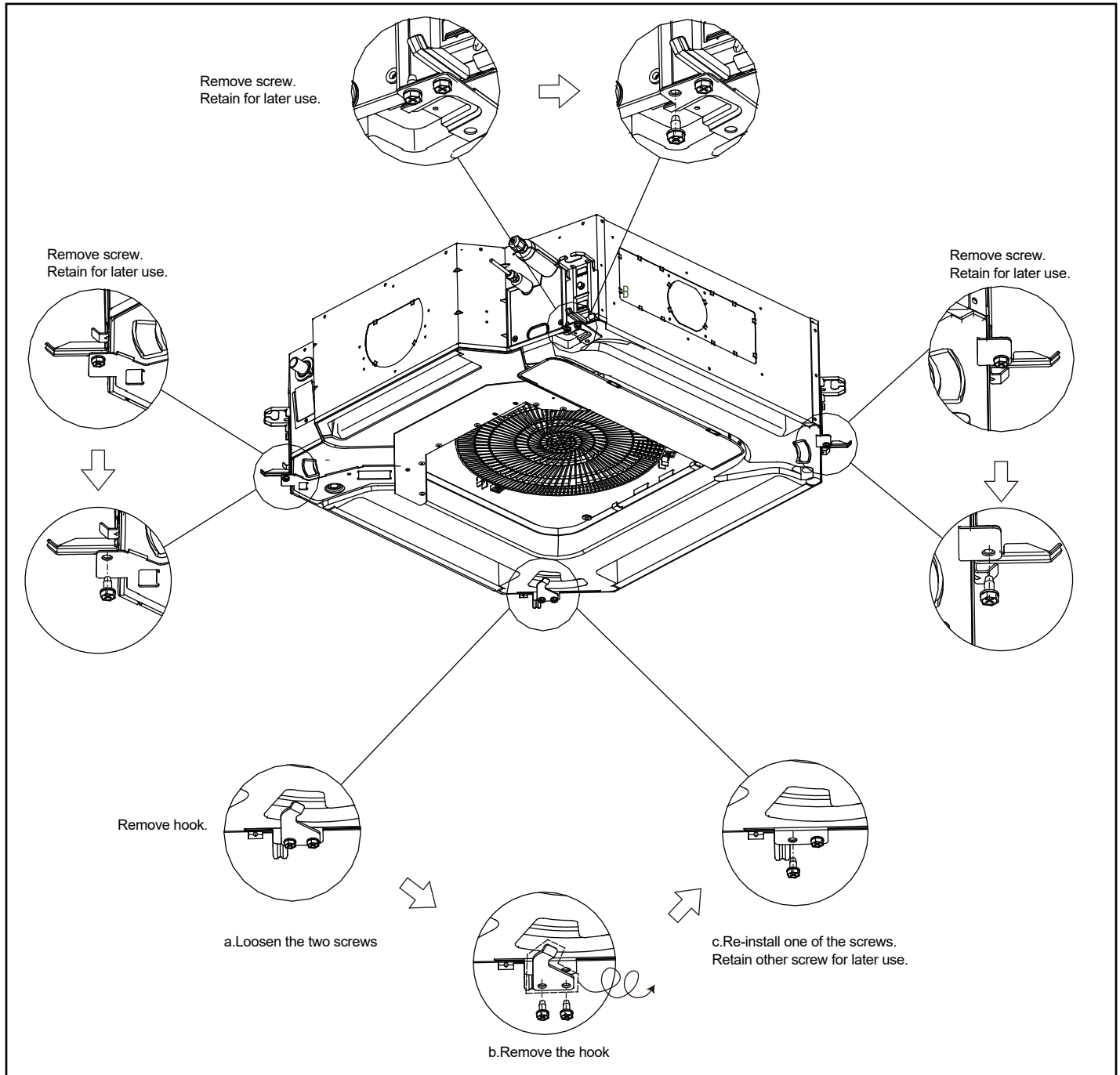


Figure 2. Remove Screws and Hook

3. Complete all indoor unit wiring and connections to the electrical control box.
4. Attach high efficiency filter kit to the unit body using the hangers on two corners of the accessory kit. Place these two hangers on the corresponding hooks on the corners of the cassette body. See detail A in Figure 3. Then, place the other hangers from the other two corners over their corresponding hooks on the cassette body as shown in detail B in Figure 3.
5. Connect fresh air supply to high efficiency filter kit.
6. Install the cassette cover panel.

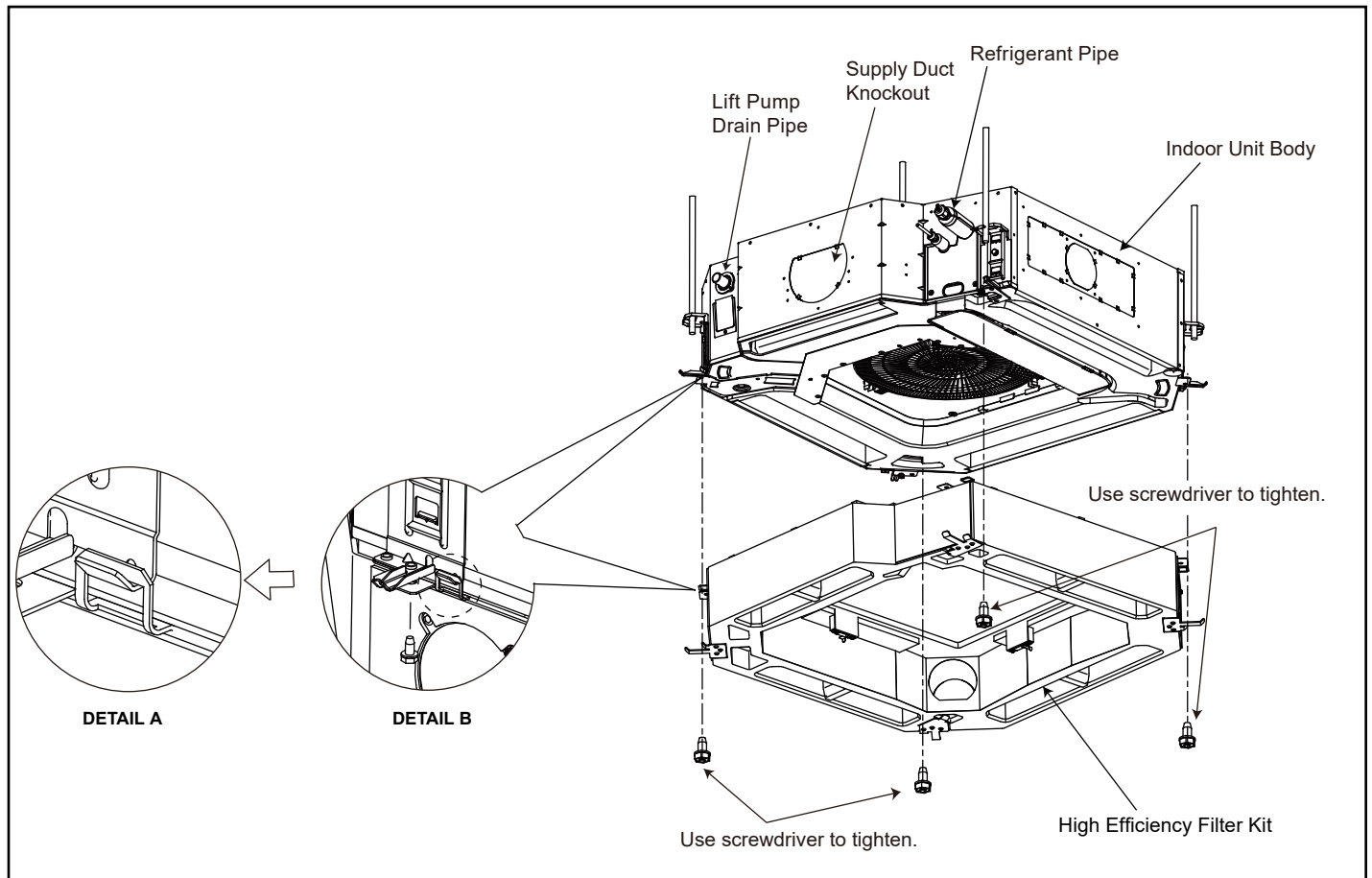


Figure 3. Attach High Efficiency Filter Kit to Cassette Body

Cassette Cover Panel Installation

1. Carefully remove the cassette cover panel from its protective packaging and place the panel diffuser-side-out on a clean, level surface.

CAUTION

Do not place the cover panel with the diffusers face down on the floor or other surface. Louvers will be damaged if pressure is applied to them.

2. Press the two grille latch release buttons at the same time to release the grille. See Figure 4. Tilt the return air grille outward at a 45° angle and lift the grille away from the panel. Carefully place the return air grille off to the side.

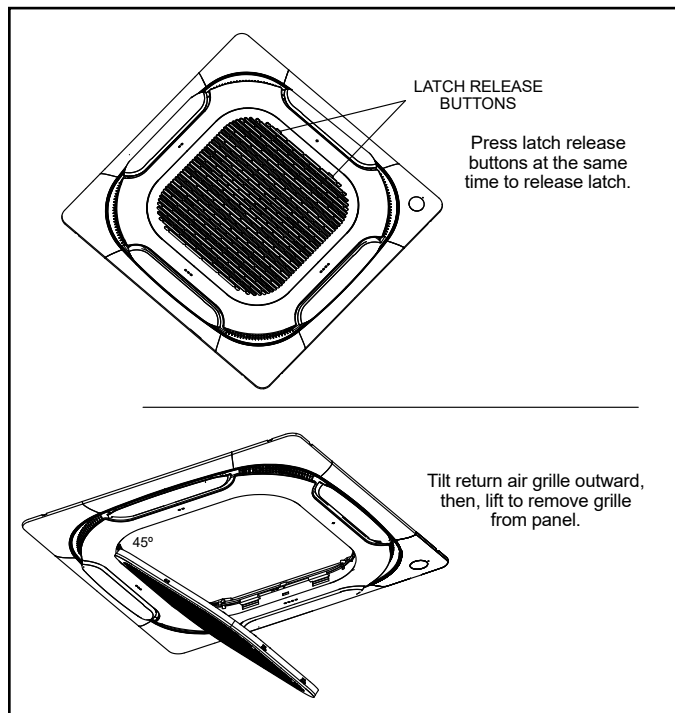


Figure 4. Remove Return Air Grille

3. Remove access covers from each corner of the panel. See Figure 5.

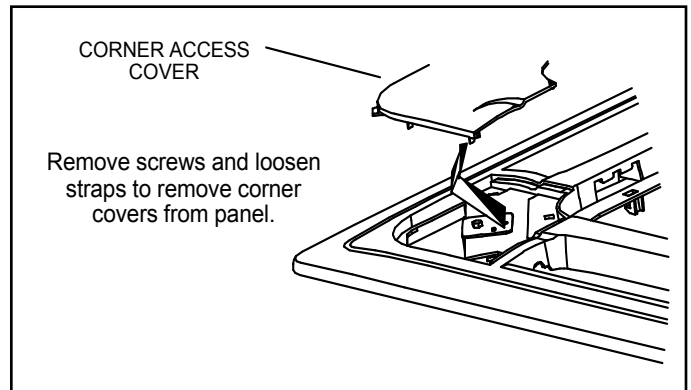


Figure 5. Remove Corner Covers

4. Position the ceiling panel so that the arrow on the panel is aligned with the arrow sticker on the cassette base (both arrow stickers should be on the same side of the cassette base). **NOTE** - If the panel and the base are not properly aligned, the airflow will be blocked and the harness plugs from the panel to the cassette base will not be long enough to plug together.
5. Connect the six-pin harness plugs from each of the two swing motors to the matching six-pin plugs from the control box in the cassette base.
6. Connect the black harness from the display on the cover panel to the corresponding black plug from the control box in the cassette base.

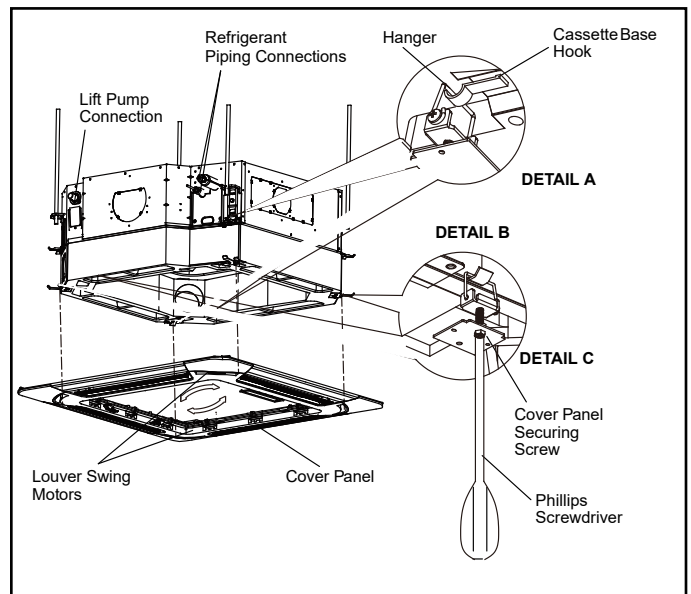


Figure 6. Install Cover Panel

7. Tighten the provided screws in the bracket in the cover panel immediately below each panel hanger. See detail C in Figure 6. Adjust the cover panel by turning slightly clockwise, if necessary, to make sure that the panel is properly aligned with the high efficiency filter kit.
8. Continue to tighten the cover panel securing screws until the insulation between the cover panel and the kit has been compressed to approximately $\frac{1}{4}$ ". The cover panel must form a seal with the ceiling and the kit around the entire perimeter of the kit. See Figure 7.
9. If it is necessary to adjust the cassette height after the cover panel has been installed, access the leveling nut through the removable access cover on each corner. See Figure 7.

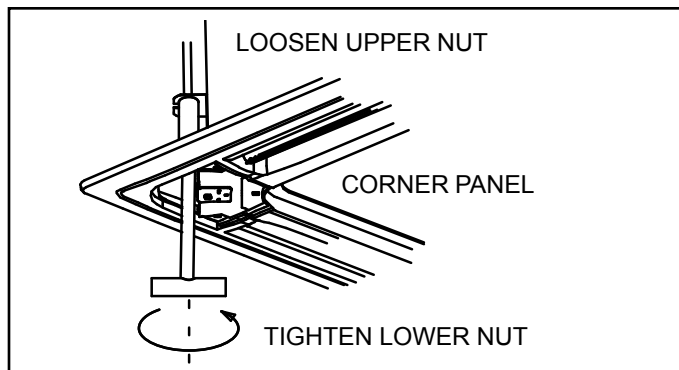


Figure 7. Adjust Unit Height Through Corner Panel

10. The return air grille must be reinstalled on the cover panel. Align the four tabs on the grille with the four slots in the cover panel. Tilt the panel back into place. Press the opposite side of the cover gently until the latches engage.
11. Remove and discard the factory-provided return air filter.
12. Use clips to secure high efficiency filter. See Figure 8.

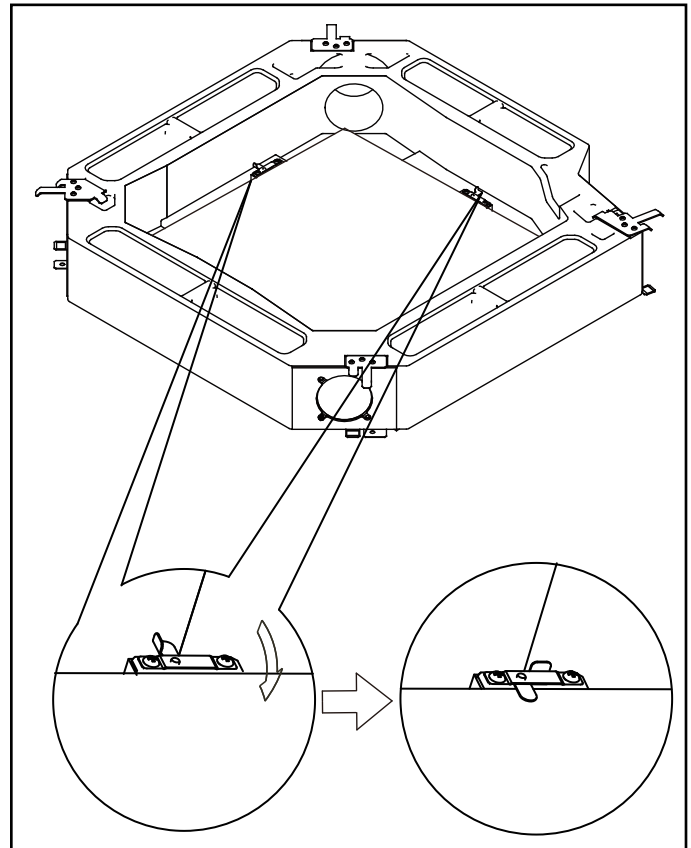


Figure 8. High Efficiency Filter Clips

Technical Support

1-844-GET-VRF1

(1-844-438-8731)

vrftechsupport@lennoxind.com

www.LennoxVRF.com

Download the app
from the Apple App Store or the Google Play store.

