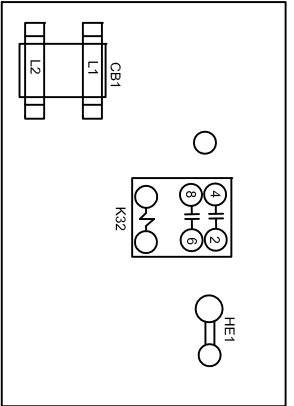
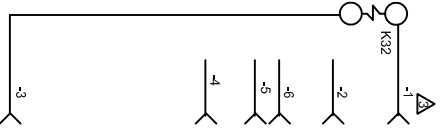


Cut Size 3-5/8" x 7-3/4"



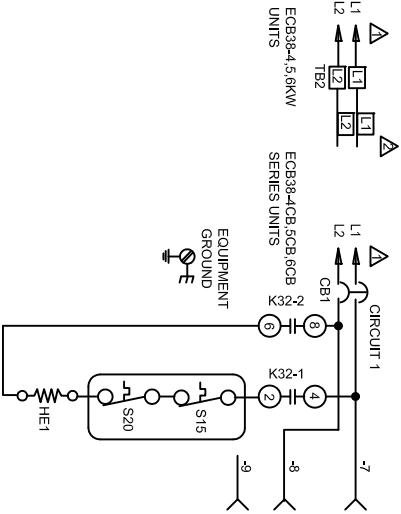
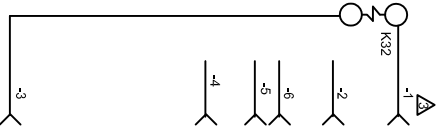
KEY	DESCRIPTION	COMPONENT
CB1	CIRCUIT BREAKER-ELECT HEAT	
HE1	ELEMENT-ELECTRIC HEAT 1	
K32-1,2	RELAY-ELECTRIC HEAT	
S15	SWITCH-LIMIT PRIMARY ELECT HEAT	
S20	SWITCH-LIMIT SECONDARY ELECT HEAT	
TB2	TERMINAL STRIP-UNIT	

- NOTE: USE COPPER CONDUCTORS ONLY
- REFER TO UNIT NAMEPLATE FOR MINIMUM CIRCUIT AMPACITY AND MAXIMUM OVERCURRENT PROTECTION SIZE.
  - CONNECT POWER WIRES FROM UNIT ON HEATER PLATE.
  - LABELLED L1 AND L2, TO TB2 TERMINAL STRIP
  - CONNECT WIRES 1 THRU 9 TO P8 (9 PIN CONNECTOR) ON AHC CONTROL.



KEY	DESCRIPTION	COMPONENT
CB1	CIRCUIT BREAKER-ELECT HEAT	
HE1	ELEMENT-ELECTRIC HEAT 1	
K32-1,2	RELAY-ELECTRIC HEAT	
S15	SWITCH-LIMIT PRIMARY ELECT HEAT	
S20	SWITCH-LIMIT SECONDARY ELECT HEAT	
TB2	TERMINAL STRIP-UNIT	

- NOTE: USE COPPER CONDUCTORS ONLY
- REFER TO UNIT NAMEPLATE FOR MINIMUM CIRCUIT AMPACITY AND MAXIMUM OVERCURRENT PROTECTION SIZE.
  - CONNECT POWER WIRES FROM UNIT ON HEATER PLATE.
  - LABELLED L1 AND L2, TO TB2 TERMINAL STRIP
  - CONNECT WIRES 1 THRU 9 TO P8 (9 PIN CONNECTOR) ON AHC CONTROL.



**LENNOX** HEATING-ELECTRIC

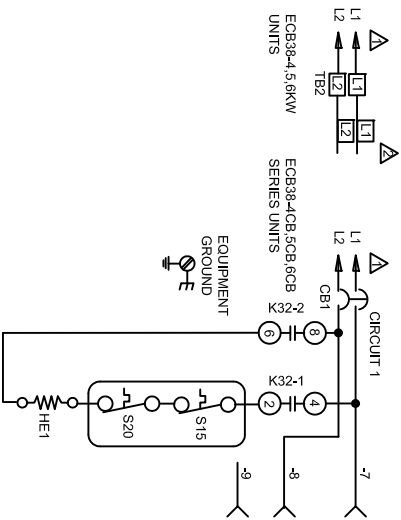
ECB38-4,5,6,4CB,5CB,6CB-P

Supersedes

Form No. 537951-01

0118

Lennox U.S.A. © 2011



**LENNOX** HEATING-ELECTRIC

ECB38-4,5,6,4CB,5CB,6CB-P

Supersedes

Form No. 537951-01

0118

Lennox U.S.A. © 2011