

Blower Speed Chart		
UNIT	FACTORY SPEED SETTING	SECONDARY UNIT
0	COOL	0
1	HIGH	1
2	FACTORY	2
3	DEFAULT	3
4	DEFAULT	4
5	DEFAULT	5
6	DEFAULT	6
7	DEFAULT	7

Character #	Furnace Model	Chimney Model
0	045XV36B	172 HP
1	070XV36B	172 HP
2	090XV36C	172 HP
3	090XV36C	172 HP
4	090XV36C	11HP
5	110XV48C	341 HP
6	110XV48C	11HP
7	135XV60C	11HP

**WARNING:** ELECTRICAL SHOCK HAZARD CAN CAUSE INJURY. DISCONNECT POWER TO THE UNIT BEFORE ATTEMPTING ANY REPAIRS OR MAINTENANCE. ALWAYS USE PROPER SAFETY PROCEDURES AND LOCAL CODES.

**NOTE:** IF ANY WIRE IN THIS APPLIANCE IS REPLACED, IT MUST BE REPLACED WITH WIRE OF LIKE SIZE, RATING, INSULATION THICKNESS, AND TERMINATION.

**PROGRAMMING INSTRUCTIONS:**

- Character # 7: Furnace Model
- Character # 8: Chimney Model

**Blower Speed Chart:**

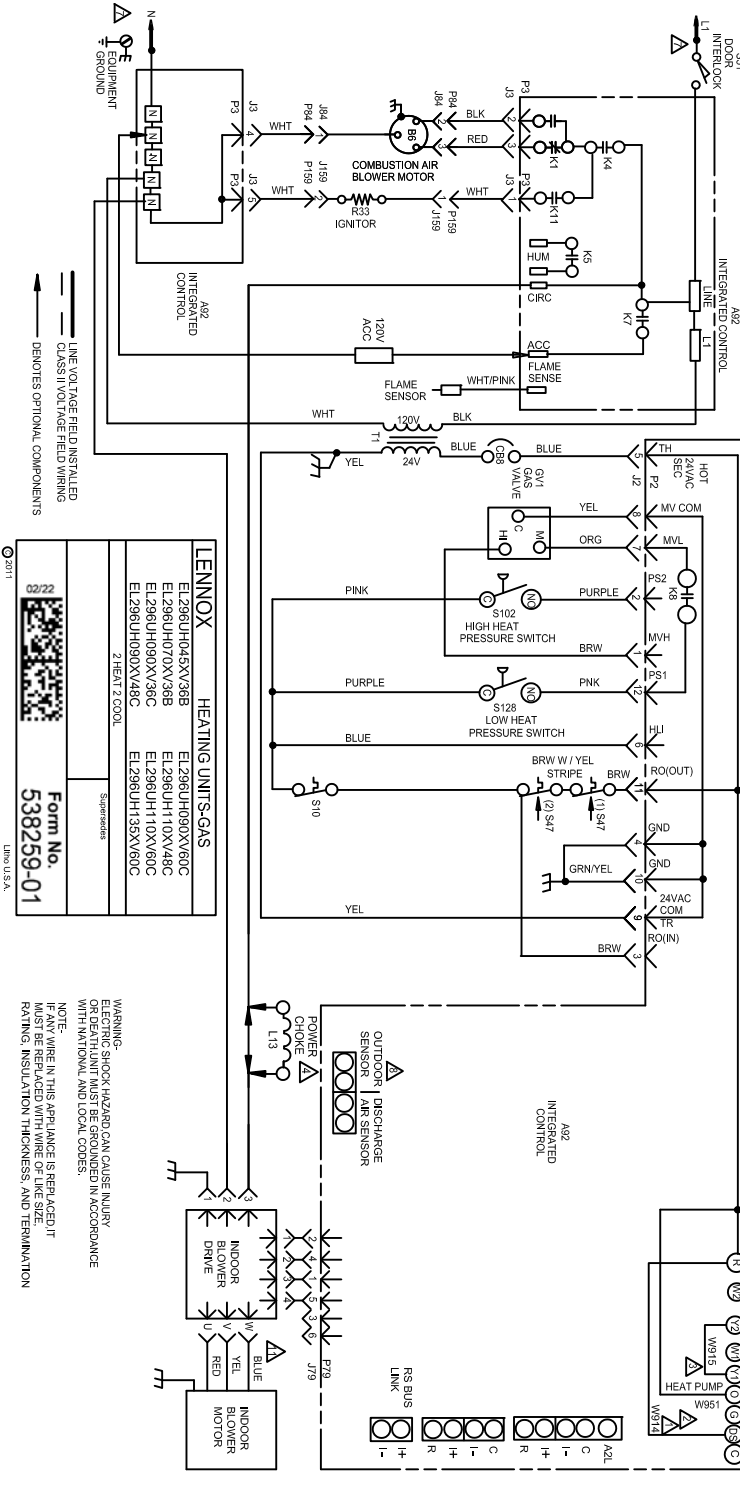
UNIT	FACTORY SPEED SETTING	SECONDARY UNIT
0	COOL	0
1	HIGH	1
2	FACTORY	2
3	DEFAULT	3
4	DEFAULT	4
5	DEFAULT	5
6	DEFAULT	6
7	DEFAULT	7

**Terminal Board Connections:**

- 1: 24VAC
- 2: 24VAC
- 3: 24VAC
- 4: 24VAC
- 5: 24VAC
- 6: 24VAC
- 7: 24VAC
- 8: 24VAC
- 9: 24VAC
- 10: 24VAC
- 11: 24VAC
- 12: 24VAC
- 13: 24VAC
- 14: 24VAC
- 15: 24VAC

**Blower Motor Connections:**

- 1: 24VAC
- 2: 24VAC
- 3: 24VAC
- 4: 24VAC
- 5: 24VAC
- 6: 24VAC
- 7: 24VAC
- 8: 24VAC
- 9: 24VAC
- 10: 24VAC



LENNOX HEATING UNITS-GAS	
EL296UHQ45XV36B	EL296UHQ90XV60C
EL296UHQ70XV36B	EL296UHQ10XXV48C
EL296UHQ90XV36C	EL296UHQ10XXV60C
EL296UHQ90XV48C	EL296UHQ135XV60C
2 HEAT 2 COOL	

Form No. 538259-01

Lennox U.S.A.