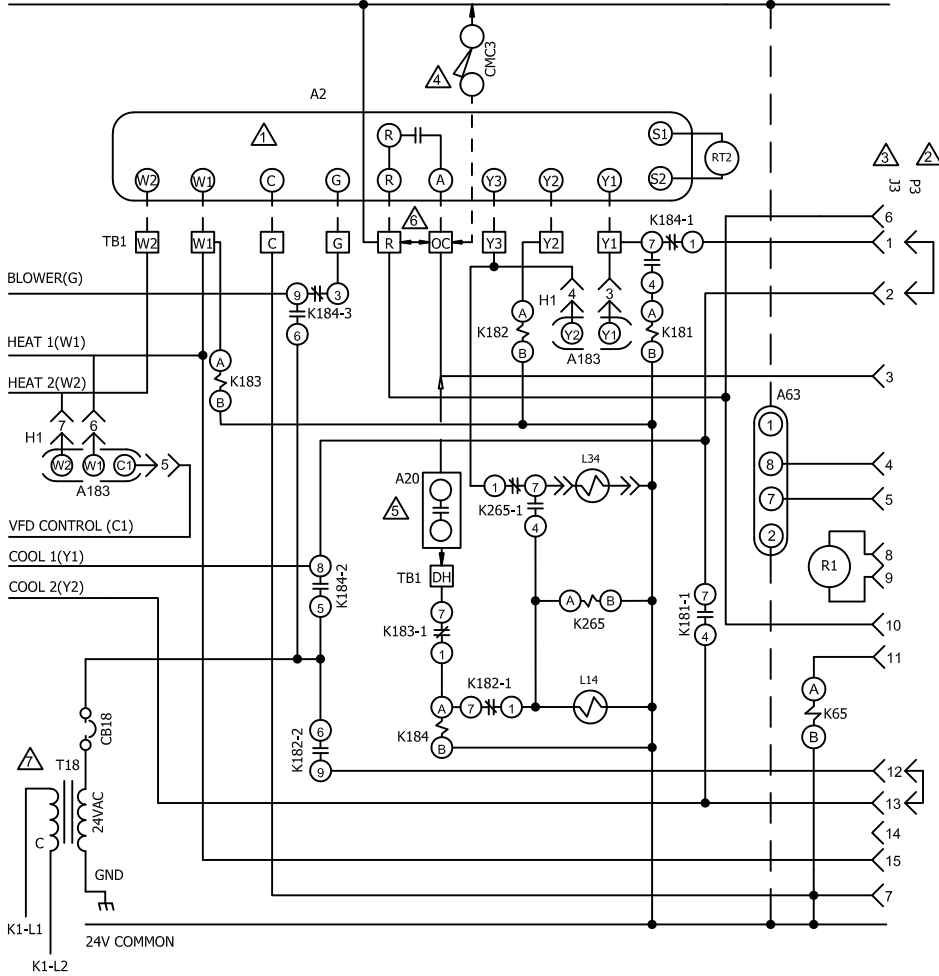



24V POWER



KEY	COMPONENT
A2	SENSOR, ELECTRONIC THERMOSTAT
A20	REMOTE DEHUMIDISTAT
A63	SENSOR, CO2
A183	CONTROL, VFD BOARD
CB18	CIRCUIT BREAKER, T18
CMC3	CLOCK, TIME
J3	JACK, UNIT ECONOMIZER
K65	RELAY, EXHAUST FAN
K181,-2	RELAY, Y1
K182,-2	RELAY, Y2
K183,-2	RELAY, W1
K184,-3	RELAY, DEHUMIDIFICATION
K265	RELAY, 2 SPEED COMPRESSOR
L14	VALVE, REHEAT COMP 1
L34	SOLENOID, 2 SPEED COMPRESSOR
P3	PLUG, LESS ECONOMIZER
R1	SENSOR, MIXED AIR OR SUPPLY AIR
RT2	SENSOR, REMOTE THERMOSTAT
T18	TRANSFORMER, REHEAT
TB1	TERMINAL STRIP, THERMOSTAT
TB37	TERMINAL STRIP, REHEAT

- △ THERMOSTAT SUPPLIED BY USER
- △ REMOVE P3 WHEN ECONOMIZER IS USED
- △ J3 MAXIMUM LOAD 20VA 24VAC CLASS II
- △ TIME CLOCK CONTACTS (OPTIONAL) CLOSED OCCUPIED
- △ REMOTE DEHUMIDISTAT CONTACTS CLOSED WHEN HUMIDITY IS ABOVE SET POINT
- △ REMOVE JUMPER BETWEEN TB1-R AND TB1-OC WHEN USING A NITE SETBACK THERMOSTAT
- △ SEE B SECTION DIAGRAM FOR VOLTAGE SPECIFIC WIRING
- DENOTES OPTIONAL COMPONENTS
- - - CLASS II FIELD WIRING

2022/06		WIRING DIAGRAM	06/22
		538303-01	
CONTROL			
ELECTRONIC/ELECTROMECHANICAL THERMOSTAT WITH REHEAT			
SECTION C			REV 0
Supersedes		New Form No. 538303-01	