

Job: _____
 Location: _____
 Schedule No.: _____
 System Designation: _____

Engineer: _____
 Architect: _____
 Location: _____
 Date: _____

For: Reference Approval Review Construction

Ceiling and Floor Indoor Unit

FEATURES

- Pre Heat Function
- Electronic Expansion Valve
- Four Built-In Dry Contact Relays
- Refrigerant R-410A
- Auto Addressing
- High-Efficiency DC Motor
- Flare Connections
- Seven Capacity Sizes from 12,000 to 48,000 Btu/h
- Auto Restart

WARRANTY

- 10-year limited warranty.*See warranty for details.

SPECIFICATIONS

PERFORMANCE

Cooling Capacity ¹ (Btu/h)		18,000
Heating Capacity ¹ (Btu/h)		21,000
Airflow (CFM)	Low/Medium/High	394/424/471
External Static Pressure (in. w.g.)		0~0.04
Sound (dBA)	Low/Medium/High	44/46/49

ELECTRICAL DATA

Power Supply (Volts/Hertz/Phase)	208-230/60/1
Minimum Circuit Ampacity (MCA) (A)	0.87
Maximum Overcurrent Protection (MOP) (A)	15
Cooling Power Input ² (W)	42
Cooling Rated Current (A)	0.6
Heating Power Input ² (W)	40
Heating Rated Current (A)	0.55
Indoor Fan Motor Input (W)	53

DIMENSIONS

Unit Dimensions (in)	Width	39
	Height	26
	Depth	8-1/8
Liquid Pipe Connection (in) (I.D.)		3/8
Gas Pipe Connection (in) (I.D.)		5/8
Drain Connection (in) (O.D.)		5/8
Net Weight (lb)		62
Shipping Weight (lb)		75



OPTIONAL ACCESSORIES

Non-Programmable Controller	V0STAT54P-3
Programmable Wired Controller	V0STAT51P-3
Infrared Wireless Controller	V0STAT52P-1
Occupancy Sensor	V0SNSR78P-3
HHE Relay Kit	V0CTRL92P-3
Hotel Keycard Interface	V0CTRL88P-1
Condensate Pumps (Reference Condensate Pump Selection Guide)	-

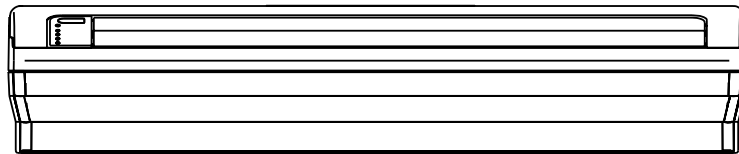
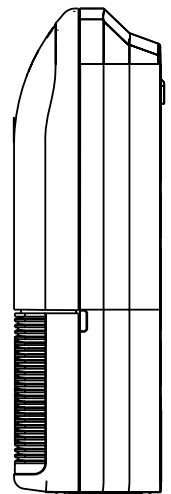
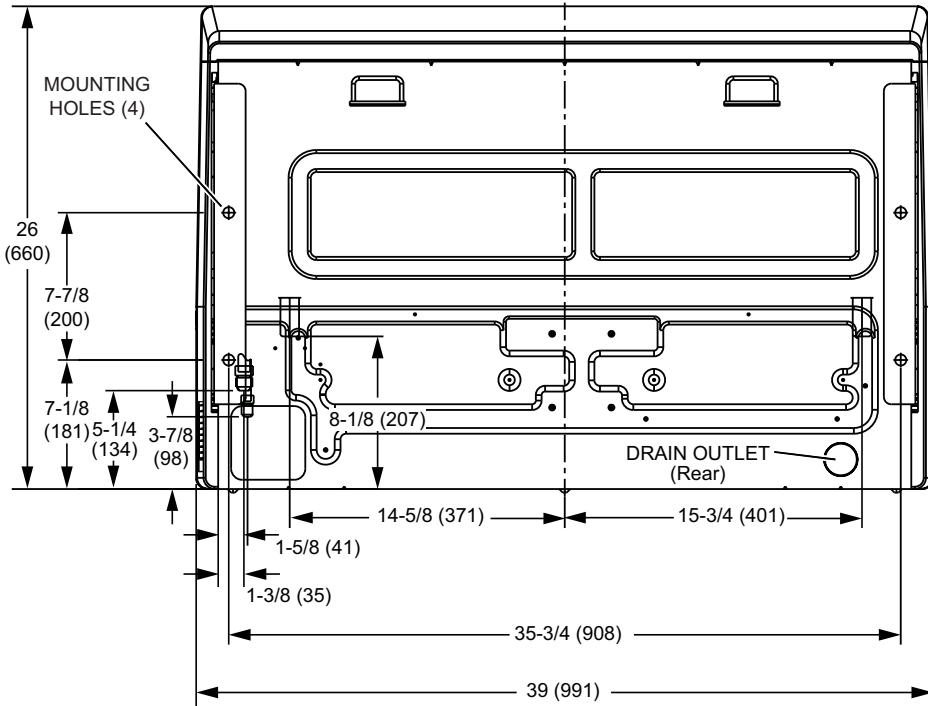
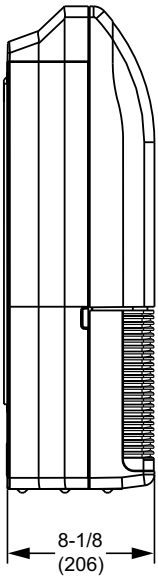
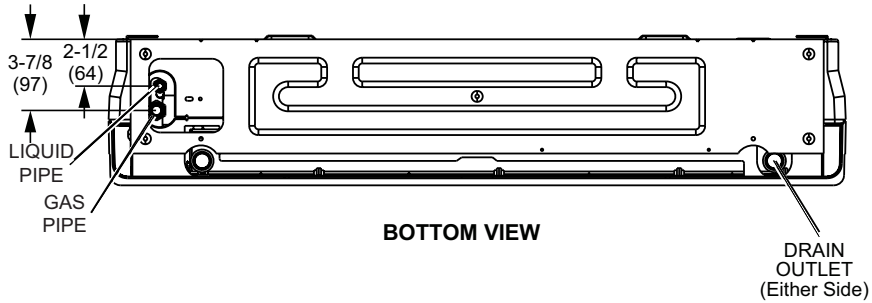
NOTES

1. Cooling and Heating capacity data is rated at the following conditions:
 Cooling: 80°FDB / 67°FWB Indoor, 95°FDB
 Outdoor Heating: 70°FDB Indoor, 47°FDB / 43°FWB Outdoor.
2. Power Input values are rated at high fan speed.



DIMENSIONAL DRAWINGS - INCHES (MM)

VCFB018H4



NOTE - Due to Lennox' ongoing commitment to quality, Specifications, Ratings and Dimensions subject to change without notice and without incurring liability. Improper installation, adjustment, alteration, service or maintenance can cause property damage or personal injury. Installation and service must be performed by a qualified installer and servicing agency.