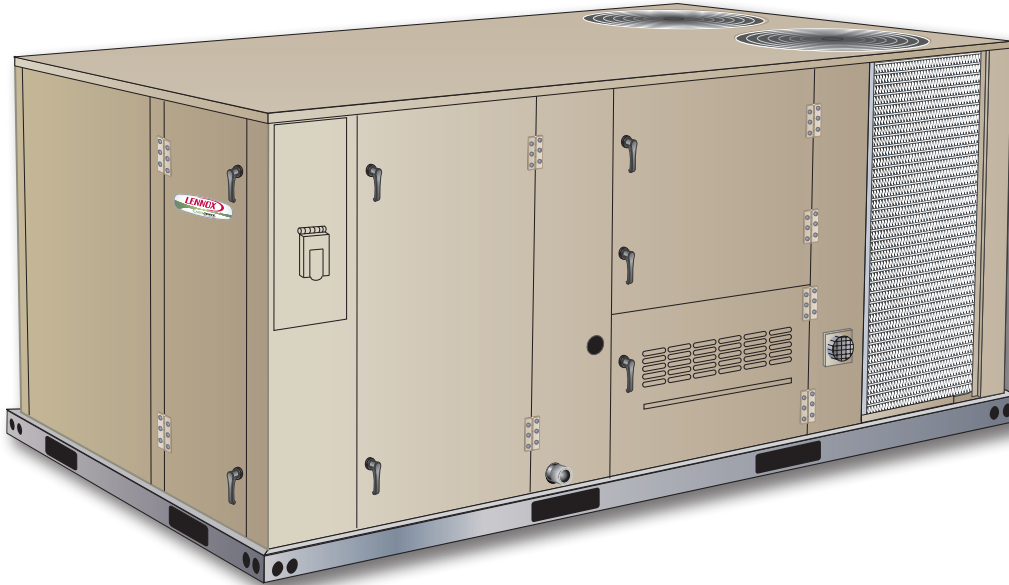




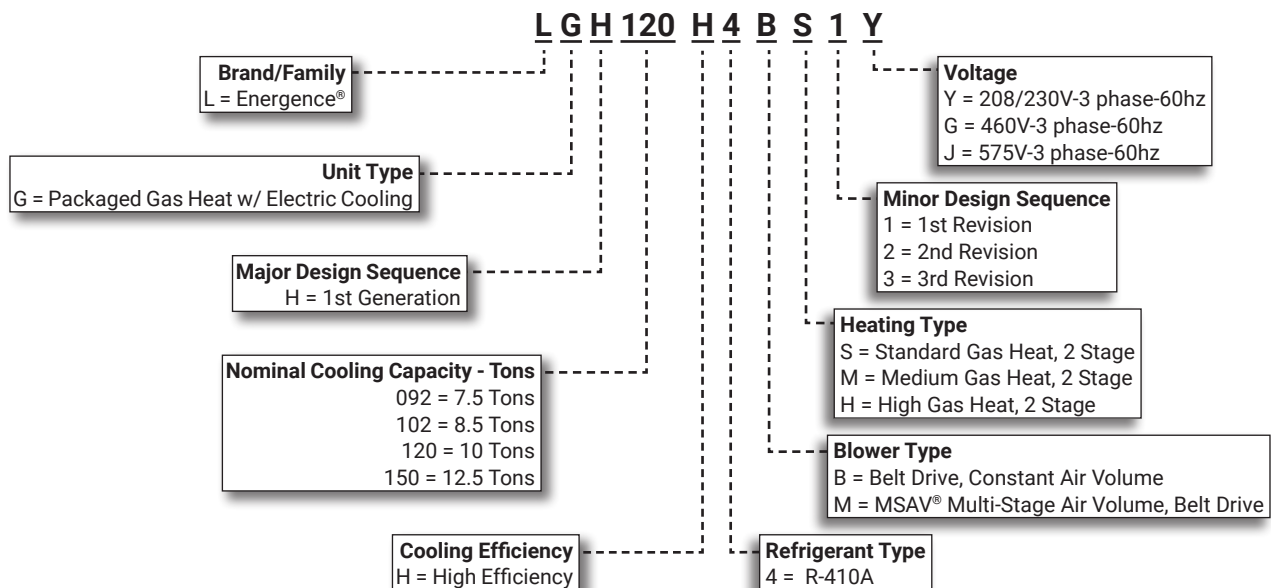
**COMMERCIAL**  
**PRODUCT SPECIFICATIONS**

Bulletin No. 210555  
 July 2022  
 Supersedes September 2021



**7.5 to 12.5 Tons**  
**Net Cooling Capacity - 90,000 to 138,000 Btuh**  
**Gas Input Heat Capacity - 130,000 to 240,000 Btuh**

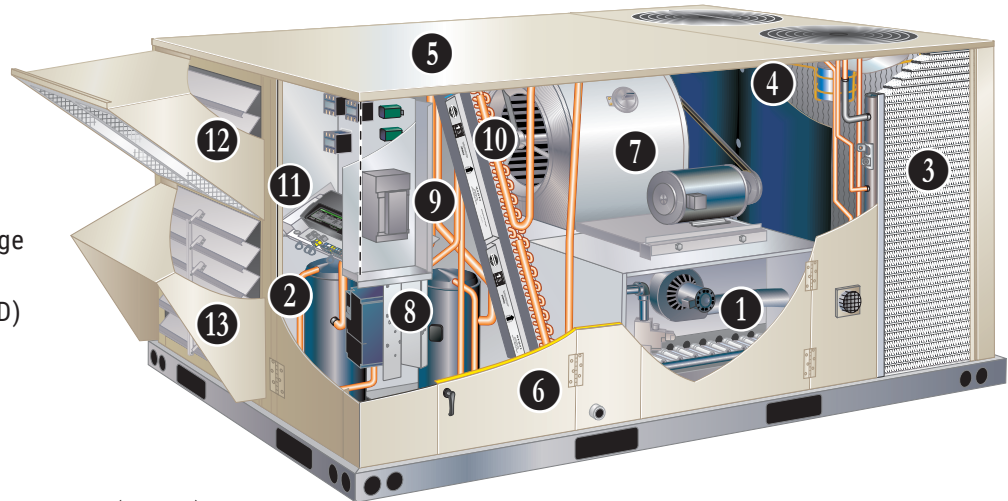
**MODEL NUMBER IDENTIFICATION**



## FEATURE HIGHLIGHTS

Lennox' Emergence® packaged rooftop unit product line was created to save energy with intelligence by offering some of the highest energy efficiency ratings available with a powerful, easy to use unit controller. This makes Emergence rooftop units perfect for business owners looking for an HVAC product with the lowest total cost of ownership.

1. Heat Exchanger/Inshot Burners
2. Scroll Compressors
3. Environ™ Coil System
4. Outdoor Coil Fan Motors
5. Heavy Gauge Steel Cabinet
6. Hinged Access Panels
7. Constant or MSAV® Multi-Stage Air Volume Blower
8. Variable Frequency Drive (VFD)
9. GFI Service Outlets (option)
10. Air Filters
11. Prodigy® Control System
12. Economizer (option)
13. Downflow Barometric Relief Dampers (option)



## CONTENTS

Approvals And Warranty . . . . .	3
Blower Data . . . . .	31
Control System . . . . .	9
Dimensions - Accessories . . . . .	40
Dimensions - Unit . . . . .	39
Electrical Data . . . . .	35
Features And Benefits . . . . .	3
High Altitude Derate . . . . .	24
Humiditrol® Dehumidification System Option . . . . .	13
Humiditrol® Dehumidification System Ratings . . . . .	29
Model Number Identification . . . . .	1
Optional Conventional Temperature Control Systems . . . . .	14
Options / Accessories . . . . .	19
Outdoor Sound Data . . . . .	37
Ratings . . . . .	25
Sequence Of Operation . . . . .	16
Specifications . . . . .	22
Specifications - Gas Heat . . . . .	24
Unit Clearances . . . . .	37
Weight Data . . . . .	38

## APPROVALS AND WARRANTY

### APPROVALS

- AHRI Standard 340/360 certified
- ETL and CSA listed
- CSA certified energy ratings
- Unit and components ETL, NEC and CEC bonded for grounding to meet safety standards for servicing
- All models are ASHRAE 90.1-2010 energy efficiency compliant and meet or exceed requirements of Section 6.8
- All models meet DOE 2018 energy efficiency standards
- MSAV® Multi-Stage Air Volume models meet California Code of Regulations, Title 24 and ASHRAE 90.1-2010 Section 6.4.3.10 requirements for staged airflow
- All models have OSHPD OSP and Special Seismic Certification ([OSHPD Number: OSP-0596](#)), and meet 2018 International Building Code (IBC), 2019 California Building Code (CBC) ASCE 7, and ICC-ES AC156
- ENERGY STAR® certified
- ISO 9001 Registered Manufacturing Quality System

### WARRANTY

- Aluminized Heat Exchanger - Limited ten years
- Stainless Steel Heat Exchanger (optional) - Limited fifteen years
- Compressors - Limited five years
- Environ™ Coil System - Limited three years
- Prodigy® 2.0 Unit Controller - Limited three years
- Variable-Frequency Drive (VFD) (optional) - Limited five years
- High Performance Economizers (optional) - Limited five years
- All other covered components - Limited one year

## FEATURES AND BENEFITS

### HEATING SYSTEM

- 1 • Aluminized steel inshot burners
  - Direct spark ignition
  - Electronic flame sensor
  - Combustion air inducer
  - Redundant automatic dual stage gas valve with manual shut-off

#### Heat Exchanger

- Tubular construction, aluminized steel
- Life-cycle tested

**NOTE** - Optional Stainless Steel Heat Exchanger is required if mixed air temperature is below 45°F.

#### Electronic Pilot Ignition

- Electronic spark igniter provides positive direct ignition of burners on each operating cycle
- Permits main gas valve to stay open only when the burners are proven to be lit
- If loss of flame occurs, gas valve closes, shutting off the gas to the burners
- LED indicates status and aids in troubleshooting
- Watchguard circuit on module automatically resets ignition controls after one hour of continuous thermostat demand after unit lockout, eliminating nuisance service calls
- Factory installed in the gas heating compartment

#### Limit Controls

- Redundant limit controls with fixed temperature setting
- Protects heat exchanger and other components from overheating

#### Safety Switches

- Flame roll-out switch
- Flame sensor
- Combustion air inducer proving switch
- Protects system operation

### Required Selections

#### Gas Input Choice - Order one:

- Standard Gas Heat, 2 Stage (84,500/130,000 Btuh)
- Medium Gas Heat, 2 Stage (117,000/180,000 Btuh)
- High Gas Heat, 2 Stage (156,000/240,000 Btuh)

### Options/Accessories

#### Factory Installed

##### Stainless Steel Heat Exchanger

- Required if mixed air temperature is below 45°F

#### Factory or Field Installed

##### Bottom Gas Piping Kit

- Allows bottom gas entry
- Factory installed kit is furnished with the unit for field installation

## FEATURES AND BENEFITS

### HEATING SYSTEM (continued)

#### Low Temperature Vestibule Heater

- Electric heater automatically controls minimum temperature in gas burner compartment when temperature is below -40°F
- CSA certified to allow operation of unit down to -60°F

### Options/Accessories

#### Field Installed

##### Combustion Air Intake Extensions

- Recommended for use with existing flue extension kits in areas where high snow areas can block intake air

##### LPG/Propane Kits

- Conversion kit to field change over units from Natural Gas to LPG/Propane

##### Vertical Vent Extension Kit

- Use to exhaust flue gases vertically above unit
- Required when unit vent is too close to fresh air intakes per building codes
- Also prevents ice formation on intake louvers
- Kit contains vent transition, vent tee, drain cap and installation hardware

**NOTE** - Straight vent pipes (4 in. B-Vent) and caps are not furnished and must be field supplied. Refer to kit instructions for additional information.

### COOLING SYSTEM

- Designed to maximize sensible and latent cooling performance at design conditions
- System can operate from 0°F to 125°F without any additional controls

#### R-410A Refrigerant

- Non-chlorine based
- Ozone-friendly

#### 2 Scroll Compressors

- Scroll compressors on all models for high performance, reliability and quiet operation
- Resiliently mounted on rubber grommets for quiet operation

#### Compressor Crankcase Heaters

- Protects against refrigerant migration that can occur during low ambient operation

#### Thermal Expansion Valves

- Ensures optimal performance throughout the application range
- Removable element head

#### Filter/Driers

- High capacity filter/drier protects the system from dirt and moisture

#### High Pressure Switches

- Protects the compressor from overload conditions such as dirty condenser coils, blocked refrigerant flow or loss of outdoor fan operation

#### Low Pressure Switches

- Protects the compressors from low pressure conditions such as low refrigerant charge or low/no airflow

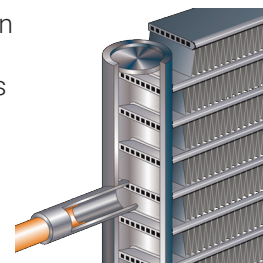
#### Indoor Coil Freeze Protection

- Protects the evaporator coil from damaging ice build-up due to conditions such as low/no airflow or low refrigerant charge

#### 3 Condenser Coil - Environ™ Coil System (092 through 120 models only)

Lightweight, all aluminum brazed fin construction

- Constructed of three components
  - A flat extrusion tube
  - Fins in-between the flat extrusion tube
  - Two refrigerant manifolds



#### Environ™ Coil System Features:

- Improved heat transfer performance due to high primary surface area (flat tubes) versus secondary surface (fins)
- Smaller internal volume (reduced refrigerant charge)
- High durability
- All aluminum construction
- Fewer brazed joints
- Compact design
- Reduced unit weight
- Easy maintenance/cleaning
- Mounting brackets with rubber inserts secure coil to unit providing vibration dampening and corrosion protection
- Angled cabinet design protects coil from damage

#### Conventional Fin/Tube Condenser Coils (150 models only, optional 092-120 models)

- Copper tube construction
- Enhanced rippled-edge aluminum fins
- Flared shoulder tubing connections
- Silver soldered construction

#### Evaporator Coil

- Copper tube construction
- Enhanced rippled-edge aluminum fins
- Flared shoulder tubing connections
- Silver soldered construction
- Factory leak tested
- Cross row circuiting with rifled tubing

**NOTE** - Constant air volume (CAV) and MSAV® Multi-Stage Air Volume models have face-split evaporator coils designed to keep condensate water off of an inactive part of the coil so the condensate will not re-enter the air stream. Variable air volume (VAV) models have row-split, intertwined evaporator coils.

## FEATURES AND BENEFITS

### COOLING SYSTEM (continued)

#### Condensate Drain Pan

- Plastic pan, sloped to meet drainage requirements per ASHRAE 62.1
- Side or bottom drain connections

#### 4 Outdoor Coil Fan Motors

- Thermal overload protected
- Totally enclosed
- Permanently lubricated ball bearings
- Shaft up
- Wire basket mount

#### Outdoor Coil Fans

- PVC coated fan guard furnished

#### Required Selections

#### Cooling Capacity

- Specify nominal cooling capacity

#### Options/Accessories

#### Factory Installed

#### Conventional Fin/Tube Condenser Coil (replaces Environ Coil System - 092 through 120 models only)

- Copper tube construction
- Enhanced rippled-edge aluminum fins
- Flared shoulder tubing connections
- Silver soldered construction

**NOTE** - All 150 models have a fin/tube coil as standard.

#### Service Valves

- Fully serviceable brass valves installed in discharge & liquid lines

**NOTE** - Not available for units equipped with Environ Coil System or Humiditrol Dehumidification option.

#### Factory or Field Installed

#### Condensate Drain Trap

- Constructed of PVC (factory or field) or copper (field only)

**NOTE** - Trap is field installed only; PVC version may be factory ordered to ship with unit.

#### Drain Pan Overflow Switch

- Monitors condensate level in drain pan
- Shuts down unit if drain becomes clogged

### CABINET

#### 5 Construction

- Heavy-gauge steel panels
- Full perimeter heavy-gauge galvanized steel base rail
- Base rails have rigging holes
- Three sides of the base rail have forklift slots
- Raised edges around duct and power entry openings in the bottom of the unit for water protection

#### Airflow Choice

- Units are shipped in downflow (vertical) return air flow configuration

**NOTE** - Units can be field converted to horizontal airflow with optional Horizontal Discharge Kit.

#### Duct Flanges

- Provided for horizontal duct attachment

#### Power/Gas Entry

- Electrical and gas lines can be routed through the unit base or through horizontal access knock-outs

#### Exterior Panels

- Constructed of heavy-gauge, galvanized steel
- Two-layer enamel paint finish

#### Insulation

- Fully insulated with non-hygroscopic fiberglass insulation (conditioned areas)
- Unit base is fully insulated
- Base insulation serves as an air seal to the roof curb, eliminating the need to add a seal during installation

#### 6 Hinged Access Panels

- Tool-less access
- Filter section
- Blower/heating section
- Compressor/controls section
- Panel seals and quarter-turn latching handles provide a tight air and water seal

#### Required Selections

#### Airflow Configuration

- Specify downflow or horizontal

#### Options/Accessories

#### Factory or Field Installed

#### Return Air Adaptor Plate

- For same size LC/LG/LH and TC/TG/TH unit replacement
- Installs on return air opening in unit to match return air opening on existing roof curbs
- Also see Accessory Air Resistance table

## FEATURES AND BENEFITS

### CABINET (continued)

#### Factory Installed

##### Corrosion Protection

- Completely flexible immersed coating
- Electrodeposited dry film process (AST ElectroFin E-Coat)
- ASTM B117 / DIN 53167 Salt Spray - 15,000+ hours
- ASTM G85 Annex A3 SWAAT Modified Salt Spray - 3000 hours
- VA Master Construction Specification Division 23 for High Humidity Installations
- CID AA-52474A (GSA)
- Indoor Corrosion Protection:
  - Coated coil
  - Coated reheat coil
  - Painted blower housing
  - Painted base
- Outdoor Corrosion Protection:
  - Coated coil
  - Painted outdoor base

#### Options/Accessories

#### Field Installed

##### Combination Coil/Hail Guards

- Heavy gauge steel frame
- Painted to match cabinet
- Expanded metal mesh protects outdoor coil

##### Horizontal Discharge Kit

- Consists of duct covers to block off downflow supply and return air openings for horizontal applications
- Also includes return air duct flanges for end return air when economizer is used in horizontal applications

**NOTE** - When configuring unit for horizontal application with economizer, a separate Horizontal Barometric Relief Damper with Hood must be ordered separately for installation in the return air duct.

### BLOWER

A wide selection of supply air blower options are available to meet a variety of airflow requirements

#### Motor

- Overload protected, equipped with ball bearings
- Belt drive motors are offered on all models and are available in several different sizes to maximize air performance

**NOTE** - All blower motors 5 hp and above meet minimum energy efficiency standards in accordance with the Energy Independence and Security Act (EISA) of 2007.

#### Supply Air Blower

- Forward curved blades
- Double inlet
- Blower wheel statically and dynamically balanced
- Ball bearings
- Adjustable pulley (allows speed change)
- Blower assembly slides out of unit for servicing

#### Required Selections

#### 7 Select Constant Air Volume (CAV) or MSAV® Multi-Stage Air Volume Supply Air Blower Option

- Constant Air Volume (CAV) models supply a constant volume of air
- MSAV® Multi-Stage Air Volume models stage the amount of airflow according to compressor stages, heating demand, ventilation demand or smoke alarm

**NOTE** - Units with the MSAV® Multi-Stage Air Volume supply air blower option have the same face split indoor coils as units with the CAV supply air blower option. Part load airflow in cooling mode on MSAV® Multi-Stage Air Volume units should not be set below 220 cfm/nominal full load ton to reduce the risk of evaporator coil freeze-up.

#### 8 Utilizes a Variable Frequency Drive (VFD) to stage the supply blower airflow

- VFD alters the frequency and voltage of the power supply to the blower to control blower speed
- The amount of airflow for each stage can be set according to a parameter in the Prodigy® 2.0 unit controller
- Unit is shipped from the factory with preset airflow
- MSAV® Multi-Stage Air Volume can be ordered with or without an Electronic Bypass Control
- If equipped with the bypass control the MSAV® Multi-Stage Air Volume features manual (default) or automatic electronic bypass control of the VFD
- In case of a VFD malfunction, a VFD alarm is generated by the Prodigy® 2.0 unit controller
- VFD can be manually bypassed to continue unit operation at full blower speed
- Or the unit controller can be set to automatically switch to full blower speed if a VFD alarm is generated

## FEATURES AND BENEFITS

- VFD has an operational range of 0 to 125°F outdoor air ambient temperature

### **BLOWER (continued)**

- Lower operating costs are obtained when the blower is operated on lower speeds

**NOTE** - Units equipped a Variable Frequency Drive (VFD) are designed to operate on balanced, three-phase power. Operating units on unbalanced three-phase power will reduce the reliability of all electrical components in the unit. Unbalanced power is a result of the power delivery system supplied by the local utility company. Factory-installed inverters are sized to drive blower motors with an equivalent current rating using balanced three-phase power. If unbalanced three-phase power is supplied the installer must replace the existing factory-installed inverter with an inverter that has a higher current rating to allow for the imbalance. Refer to the installation instructions for additional information and replacement information.

### **Ordering Information**

- Specify motor horsepower and drive kit number when base unit is ordered

### Options/Accessories

#### **Factory Installed**

##### **Blower Belt Auto-Tensioner**

- Provides proper tension to belt drive blower belt without the need for regular adjustments
- Maintains airflow and proper performance

#### **ELECTRICAL**

##### **SmartWire™ System**

- Keyed and color-coded wiring connectors prevent miswiring
- Wire coloring scheme is standardized across all models
- Each connection is intuitively labeled to make troubleshooting and servicing quick and easy

##### **Electrical Plugs**

- Positive connection electrical plugs are used to connect common accessories or maintenance parts for easy removal or installation

### Required Selections

#### **Voltage Choice**

- Specify when ordering base unit

### Options/Accessories

#### **Factory Installed**

##### **Circuit Breakers**

- HACR type
- For overload and short circuit protection
- Factory wired and mounted in the power entry panel
- Current sensitive and temperature activated
- Manual reset

##### **Phase/Voltage Detection (Optional for CAV Models Only)**

- Monitors power supply to assure phase is correct at unit start-up
- If phase is incorrect, the unit will not start and an alarm code is reported to the unit controller
- Protects unit from being started with incorrect phasing which could lead to issues such as compressors running backwards
- Voltage detection monitors power supply voltage to assure proper voltage
- If voltage is not correct (over/under voltage conditions) the unit will not start and an alarm code is reported to the unit controller

**NOTE** - Phase/voltage detection is furnished when the MSAV® Multi-Stage Air Volume option is ordered.

##### **Short-Circuit Current Rating (SCCR)**

- Higher short circuit protection up to 100kA

**NOTE** - Disconnect Switch is furnished and factory installed with High SCCR option.

#### **Factory or Field Installed**

##### **Disconnect Switch**

- Accessible outside of unit
- Spring loaded weatherproof cover furnished

#### **9 GFI Service Outlets (2)**

- 115V ground fault circuit interrupter (GFCI) type options:
- Factory installed, non-powered, field wired
- Field installed, non-powered, field wired

#### **Field Installed**

##### **GFI Weatherproof Cover**

- Single-gang cover
- Heavy-duty UV-resistant polycarbonate case construction
- Hinged base cover with gasket

## FEATURES AND BENEFITS

### INDOOR AIR QUALITY

#### 10 Air Filters

- Disposable 2-inch filters furnished as standard

#### Options/Accessories

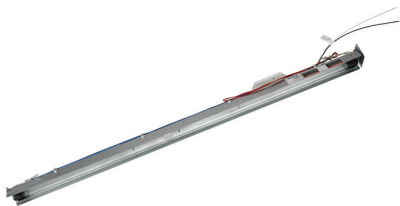
#### Factory or Field Installed

##### Healthy Climate® High Efficiency Air Filters

- Disposable MERV 8, MERV 13 or MERV 16 (Minimum Efficiency Reporting Value based on ASHRAE 52.2) efficiency 2-inch pleated filters

#### Field Installed

##### Healthy Climate® UVC Germicidal Light Kit



- Germicidal lamps emit ultra-violet (UV-C) energy, which has been proven to be effective in reducing microbes such as viruses, bacteria, yeasts, and molds
- This process either destroys the organism or controls its ability to reproduce
- UV-C energy greatly reduces the growth and proliferation of mold and other bioaerosols (bacteria and viruses) on illuminated surfaces (particularly coil and drain pan)
- Field installed in the blower/evaporator coil section
- Magnetic safety interlock terminates power when access panels are removed
- All necessary hardware for installation is included.
- Lamps operate on 110/230V, 1 phase power supply

**NOTE** - Step-down transformer may be ordered separately for 460V and 575V units.

- Approved by ETL

##### Indoor Air Quality (CO<sub>2</sub>) Sensors

- Monitors CO<sub>2</sub> levels, reports to the Prodigy® 2.0 unit controller which adjusts economizer dampers as needed

##### Replacement Filter Media Kit With Frame

- Replaces existing pleated filter media
- Includes washable metal mesh screen and metal frame with clip for holding replaceable non-pleated filter

##### Needlepoint Bipolar Ionization (NPBI) Kit

- NPBI technology integrates with system controls for effective air treatment
- Ionization has been shown to effectively reduce harmful pathogens, pollutants and odors

**NOTE** - Please visit [www.sciencedirect.com](http://www.sciencedirect.com) for additional information.

- Brush-type ionizer introduces a high concentration of both positive and negative ions into the airstream
- These bipolar ions are then dispersed into the occupied space through the duct system proactively reducing the airborne contaminants
- Ions travel within the building air stream and attach to particles, pathogens, and gas molecules, making them larger and easier to capture in the filtration system
- UL 2998 certified for zero ozone emission



## CONTROL SYSTEM

### PRODIGY® CONTROL SYSTEM



**11** The Prodigy 2.0 unit controller is a microprocessor-based controller that provides flexible control of all unit functions.

#### **Features:**

- LCD Display
- Easy to read menu (4 lines x 20 character display)
- Buttons for menu navigation during setup and diagnostic
- Menu navigation LEDs for Data, Setup, Service, Settings
- Main Menu and Help Buttons for quick navigation to home screen and built-in help functions
- Scroll, Value Adjustment Select and Save Buttons
- Setup menu insures proper installation and simplified setup of the rooftop unit
- Profile setup copies key settings between units with the same configuration to reduce setup time
- USB port allows a technician to download and transfer unit information to help verify service was performed
- USB software updates on the Prodigy Control System enhance functionality without the need to change components
- Unit Controller Software
- Unit self-test verifies individual critical component and system performance
- Economizer test function assures economizer is operating correctly
- Time Clock with Run-Time Information

#### **Built-In Functions Include:**

- Adjustable Blower On/Off Delay
- Built-in Control Parameter Defaults
- Compressor Time-Off Delay
- DDC Compatible
- Dirty Filter Switch Input
- Discharge Air Temperature Control
- Display/Sensor Readout
- Economizer Control Options (See Economizer / Exhaust Air / Outdoor Air sections)
- Fresh Air Tempering
- Over 100 diagnostic and status messages in English
- Exhaust Fan Control Modes for fresh air damper position
- Permanent Diagnostic Code Storage
- Field Adjustable Control Parameters (Over 200 settings)
- Indoor Air Quality Input (Demand Control Ventilation)
- Low Ambient Controls for cooling operation down to 0°F

- Gas Valve Time Delay Between First and Second Stage
- Minimum Compressor Run Time
- Network Capable (Can be daisy chained to other units or controls)
- Night Setback Mode
- Return Air Temperature Limit Control
- Safety Switch Input allows Controller to respond to a external safety switch trip
- Service Relay Output
- Smoke Alarm Mode has four choices (unit off, positive pressure, negative pressure, purge)
- Up to 2 heat/2 cool (standard Prodigy unit controller thermostat input)
- Up to 3 cool with additional relay
- Up to 4 cool with room sensor or network operation
- “Strike Three” Protection
- Gas Reheat Control allows simultaneous heating and cooling operation for humidity control of process air applications such as supermarkets
- On Demand Dehumidification monitors and controls condenser hot gas reheat operation with Humiditrol® dehumidification option
- Thermostat Bounce Delay
- Warm Up Mode Delay
- LED Indicators
- PC Interface connects the Prodigy 2.0 unit controller to a PC with the Lennox Unit Controller Software
- Room Sensor Operation controls temperature

**NOTE** - Prodigy Control System features vary with the type of rooftop unit in which the control is installed.

**NOTE** - See separate Prodigy Control System Product Specifications Bulletin for additional information.

## CONTROL SYSTEM

### **PRODIGY® CONTROL SYSTEM (continued)**

#### Controls Options

##### **Factory or Field Installed**

###### **Blower Proving Switch**

- Monitors blower operation, shuts down unit if blower fails

###### **Dirty Filter Switch**

- Senses static pressure increase indicating dirty filter condition

###### **Fresh Air Tempering**

- Used in applications with high outside air requirements
- Controller energizes the first stage heat as needed to maintain a minimum supply air temperature for comfort, regardless of the thermostat demand
- When ordered as a factory option, sensor ships with the unit for field installation

###### **Smoke Detector**

- Photoelectric type
- Installed in supply air section, return air section or both sections
- Available with power board and single sensor (supply or return) or power board and two sensors (supply and return)
- Power board located in unit control compartment

###### **Interoperability via BACnet® or LonTalk® Protocols**

- Communication compatible with third-party automation systems that support the BACnet Application Specific Controller device profile, LonMark® Space Comfort Controller functional profile, or LonMark Discharge Air Controller functional profile

##### **Commercial Control Systems**

###### **After-Market DDC**

- Novar® Unit Controller and options

###### **Thermostats**

- Control system and thermostat options
- After-Market unit controller options

##### **Field Installed**

###### **General Purpose Control Kit**

- Plug-in control provides additional analog and digital inputs/outputs for field installed options

###### **Humidity Sensor Kit**

- Humidity sensor required with factory installed Humiditrol® dehumidification option or Supermarket reheat field selectable option

##### **ECONOMIZER**

- Economizer operation is set and controlled by the Prodigy 2.0 unit controller
- Simple plug-in connections from economizer to unit controller for easy installation
- All Emergence rooftop units are equipped with factory installed CEC Title 24 approved sensors for outside, return and discharge air temperature monitoring

## OPTIONS / ACCESSORIES

**NOTE** - Optional sensors may be used instead of unit sensors to determine whether outdoor air is suitable for free cooling See Options/Accessories table

##### **Factory or Field Installed**

###### **12 High Performance Economizer**

- Approved for California Title 24 building standards
- Low leakage dampers are Air Movement and Control Association International (AMCA) Class 1A Certified - Maximum 3 CFM per sq. ft. leakage at 1 in. w.g.
- ASHRAE 90.1-2010 compliant
- Downflow or Horizontal with Outdoor Air Hood
- Outdoor Air Hood is included when economizer is factory installed and is furnished with economizer when ordered for field installation

###### **13 Downflow Barometric Relief Dampers with Exhaust Hood is also furnished**

- Gear-driven action
- High torque 24-volt fully-modulating spring return damper motor
- Return air and outdoor air dampers
- Plug-in connections to unit
- Stainless steel bearings
- Enhanced thermoplastic vulcanizate (TPV) seals
- Flexible stainless steel jamb seals

**NOTE** - High Performance Economizers are not approved for use with enthalpy controls in Title 24 applications.

**NOTE** - The Free Cooling setpoint for Title 24 applications must be set based on the Climate Zone where the system is installed. See Section 140.4 "Prescriptive Requirements for Space Conditioning Systems" of the California Energy Commission's 2013 Building Energy Efficiency Standards.

**NOTE** - Refer to Installation Instructions for complete setup information.

### **ECONOMIZER (continued)**

#### **Differential Sensible Control**

- Factory setting
- Uses outdoor air and return air sensors that are furnished with the unit
- The Prodigy® 2.0 unit controller compares outdoor air temperature with return air
- When the outdoor air is below the configured setpoint and cooler than return air, the controller activates the economizer

**NOTE** - Differential Sensible Control can be configured in the field to provide Offset Differential Sensible Control or Single Sensible Control.

In Offset Differential Sensible Control mode, the economizer is enabled if the temperature differential (offset) between outdoor air and return air reaches the configured setpoint.

In Single Sensible Control mode, the economizer is enabled when outdoor air temperature falls below the configured setpoint.

#### **Global Control**

- The unit controller communicates with a DDC system with one global sensor (enthalpy or sensible)
- Determines whether outside air is suitable for free cooling on all units connected to the control system
- Sensor must be field provided

### **Factory or Field Installed**

#### **Single Enthalpy Temperature Control (Not for Title 24)**

- Outdoor air enthalpy sensor enables Economizer if the outdoor enthalpy is less than the setpoint of the control

#### **Differential Enthalpy Control (Not for Title 24)**

- Order two Single Enthalpy Controls
- One is field installed in the return air section
- One is installed in the outdoor air section
- Allows the economizer control to select between outdoor air or return air, whichever has lower enthalpy

### **Field Installed**

#### **Outdoor Air CFM Control**

- Maintains constant outdoor air volume levels on the supply air fan and varying unit airflows
- Velocity sensor located in the rooftop unit outdoor air section, the Prodigy® 2.0 unit controller changes the economizer position to help minimize the effect of supply fan speed changes on outdoor air volume levels
- Setpoint for outdoor air volume is established by field testing

**NOTE** - Not available with Demand Control Ventilation (CO<sub>2</sub> Sensor) or Building Pressure Control.

#### **Building Pressure Control**

- Maintains constant building pressure level
- Includes a static pressure transducer and outdoor static pressure assembly
- Using differential pressure information between the outdoor air and the building air, the Prodigy® 2.0 unit controller changes the economizer position to help maintain a constant building pressure

**NOTE** - Not available with Demand Control Ventilation (CO<sub>2</sub> Sensor) or Outdoor Air CFM Control.

### **EXHAUST**

#### **Factory or Field Installed**

#### **Power Exhaust Fan**

- Installs internal to unit for downflow applications only with economizer option
- Provides exhaust air pressure relief
- Interlocked to run when supply air blower is operating,
- Fan runs when outdoor air dampers are 50% open (adjustable)
- Motor is overload protected
- Fan is 20 in. diameter
- Five blades
- One 1/3 hp motor

**NOTE** - Requires Economizer and Downflow Barometric Relief Dampers

#### **Field Installed**

#### **Horizontal Low Profile Barometric Relief Dampers**

- For use when unit is configured for horizontal applications requiring an economizer
- Allows relief of excess air
- Aluminum blade dampers prevent blow back and outdoor air infiltration during off cycle
- Field installed in return air duct
- Bird screen and hood furnished

**NOTE** - Requires Horizontal Discharge Kit

## OPTIONS / ACCESSORIES

### OUTDOOR AIR

#### Factory or Field Installed

##### Outdoor Air Damper

- Downflow or Horizontal
- Linked mechanical dampers
- 0 to 25% (fixed) outdoor air adjustable
- Installs in unit
- Includes outdoor air hood
- Motorized model features fully modulating spring return damper motor with plug-in connection
- Manual model features parallel blade, gear-driven dampers with adjustable fixed position

#### ROOF CURBS

##### Field Installed

- Nailer strip furnished (downflow only)
- Mates to unit
- US National Roofing Contractors Approved
- Shipped knocked down

##### Hybrid Roof Curbs, Downflow

- Interlocking tabs fasten corners together
- No tools required for assembly
- Can also be fastened together with furnished hardware
- Available in 8, 14, 18, and 24 inch heights

##### Adjustable Pitch Curb

- Fully adjustable pitch curbs (3/4 in. per foot in any direction) provide a level platform for rooftop units allowing flexible installations on roofs with uneven or sloped angles
- Interlocking tabs fasten corners together
- No tools required for assembly
- Hardware is furnished to connect upper curb with lower curb
- Available in 14 inch height

##### Adaptor Curbs (not shown)

- Curbs are regionally sourced
- Dimensions vary based upon the source

**NOTE** - Contact your local sales representative for a detailed cut sheet with applicable dimensions.

### CEILING DIFFUSERS

#### Field Installed

##### Ceiling Diffusers

##### (Flush or Step-Down)

- White powder coat finish on diffuser face and grilles
- Insulated UL listed duct liner
- Diffuser box has collars for duct connection
- Step-down diffusers have double deflection blades
- Flush diffusers have fixed blades
- Provisions for suspending
- Internally sealed to prevent recirculation
- Removable return air grille
- Adapts to T-bar ceiling grids or plaster ceilings

##### Transitions (Supply and Return)

- Used with diffusers
- Installs in roof curb
- Galvanized steel construction
- Flanges furnished for duct connection to diffusers
- Fully insulated

## HUMIDITROL® DEHUMIDIFICATION SYSTEM OPTION

### OVERVIEW

- Factory installed option designed to control humidity
- Provides dehumidification on demand using ASHRAE 90.1 recommended method for comfort conditioning humidity control
- Unit comes equipped with one row reheat coil, solenoid valve and humidity controller
- A thermostat with a dehumidification output, a dehumidistat, or a DDC controller with an isolated output is required to control humidity and must be located in the occupied space

### BENEFITS

- Improves indoor air quality
- Helps prevent damage due to high humidity levels
- Improves comfort levels by reducing space humidity levels

### OPERATION

#### No Dehumidification Demand

- The unit will operate conventionally whenever there is a demand for cooling or heating and no dehumidification demand
- Free cooling is only permitted when there is no demand for dehumidification

#### Dehumidification Demand Only

- Dehumidification is initiated by an output from a thermostat with a dehumidification output, a dehumidistat, or a DDC controller with an isolated output to control humidity

**NOTE** - Controls are not furnished and must be ordered separately.

- Reheat operation will initiate on a dehumidification demand and does not require a cooling demand
- The unit will operate in the dehumidification mode until the relative humidity of the conditioned space is below the setpoint
- This reduces sensible cooling capacity and extends compressor run time to control humidity when the cooling load is low
- A solenoid valve diverts hot gas from the compressor to the reheat coil
- The cooled and dehumidified air from the evaporator is reheated as it passes through the reheat coil
- The de-superheated and partially condensed refrigerant continues to the outdoor condenser coil where condensing is completed
- Unit will continue to operate in this mode until the dehumidification demand is satisfied

**NOTE** - See Sequence of Operation for additional information.

#### Dehumidification and Cooling Demand (Thermostat/ Room Sensor Application)

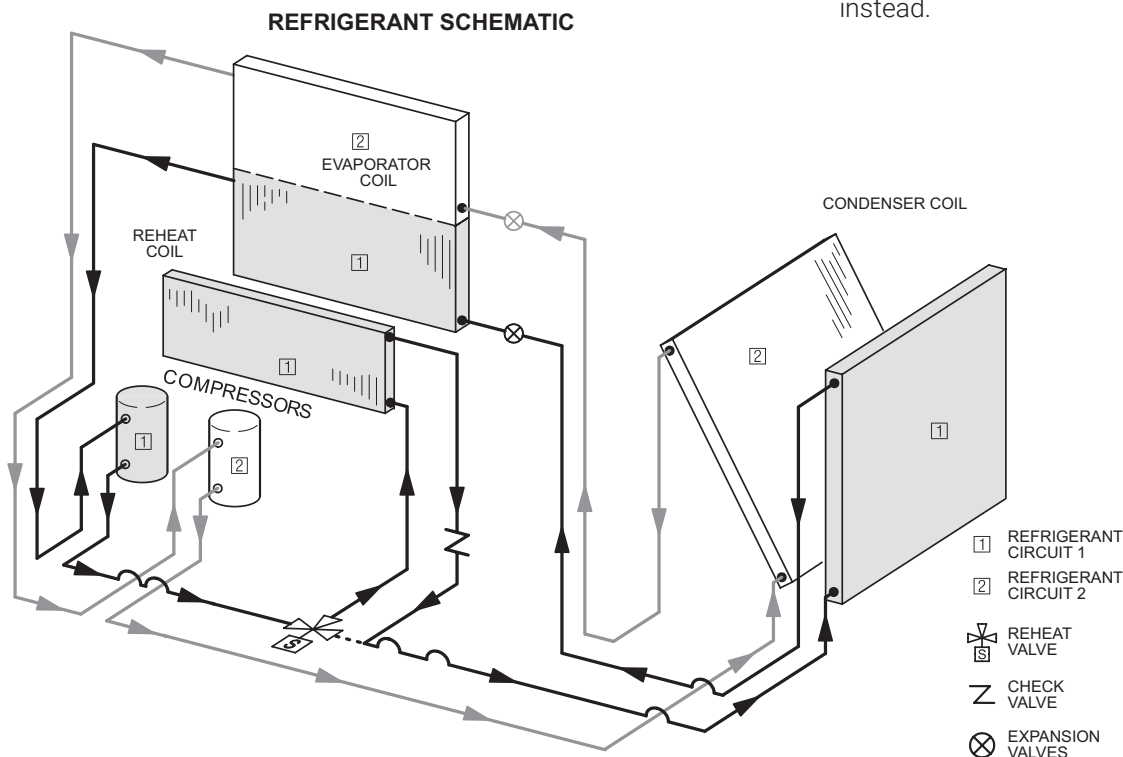
- If both a dehumidification and a full cooling load demand occur, the system will operate in cooling until the cooling demand is satisfied
- Then the system will energize the dehumidification mode

### Options / Accessories

#### Humidity Sensor Kit

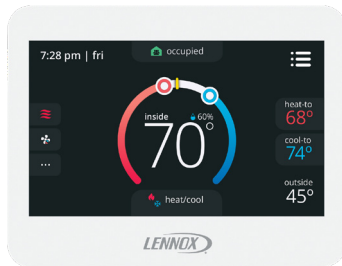
- Remote mounted dehumidistat for factory installed Humiditrol® option
- Adjustable 20-80%

**NOTE** - A thermostat with a dehumidification output or a DDC controller with an isolated output can be used instead.



## OPTIONAL CONVENTIONAL TEMPERATURE CONTROL SYSTEMS

### CS8500 Commercial 7-Day Programmable Thermostat



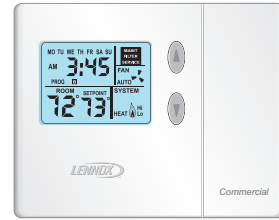
- Fully Communicating Sensor
- Full Color Touchscreen Interface
- Variable Speed System Control (On Compatible Units)
- Up To 4 Heat / 4 Cool
- Built-In Sensors For Temperature, Humidity And Optional CO<sub>2</sub>
- Remote Sensor Options For Occupancy, Temperature
- BACnet Capable Options
- 5-2 or 7-Day Scheduling
- Smooth Setback Recovery
- Heat/Cool Auto-Changeover
- Four-Wire Installation
- FDD, ASHRAE, IECC Compliant

### CS7500 Commercial 7-Day Programmable Thermostat



- Premium Universal Thermostat
- Full Color Touchscreen Interface
- Up To 4 Heat / 4 Cool
- Built-In Sensors For Temperature and Humidity
- Remote Sensors Options For Temperature, Discharge Air, Outdoor Air
- 5-2 or 7-Day Scheduling
- Smooth Setback Recovery
- Heat/Cool Auto-Changeover
- FDD, ASHRAE, IECC Compliant

### CS3000 Commercial 5-2 Day Programmable Thermostat



- Conventional Multi-Stage Thermostat
- Intuitive Display
- Push-Button Operation
- Up To 2 Heat / 2 Cool
- Built-In Temperature Sensor
- Remote Temperature Sensing
- Up to 5-2 Day Scheduling
- Smooth Setback Recovery
- Heat/Cool Auto-changeover

### Wired Room Sensor (LCS-5030)



- Simple Push-Button Override
- Variable Speed System Control (On Compatible Units)
- Up To 4 Heat / 4 Cool
- Built-In Temperature and Humidity Sensors
- AA Battery / 24VAC Powered
- SBUS Wired Operation
- Automatic Sensor Averaging
- Locking Hex Screw

## OPTIONAL CONVENTIONAL TEMPERATURE CONTROL SYSTEMS

Description	Catalog No.
<b>CS8500 Commercial 7 Day Programmable Thermostat</b>	
CS8500 7-Day Thermostat	No CO <sub>2</sub> Sensing <b>17G75</b>
	With CO <sub>2</sub> Sensing <b>17G76</b>
Sensors/Accessories	<sup>1</sup> Remote non-adjustable wall-mount 10k <b>47W37</b>
	<sup>1</sup> Remote non-adjustable wall-mount 11k <b>94L61</b>
<b>Sysbus Network Cable (Yellow) for ComfortSense 8500 and LCS-5030 Wired Room Sensor</b>	
Twisted pair 100% shielded communication cable, Red and Black	500 ft. box <b>27M19</b>
22 AWG, yellow jacket, rated at 75°C, 300V, Plenum rated	1000 ft. box <b>94L63</b>
Insulation - Low smoke PVC, NEC, CMP	2500 ft. roll <b>68M25</b>
<b>CS7500 Commercial 7-Day Programmable Thermostat</b>	
CS7500 7-Day Thermostat	<b>17G74</b>
Sensors/Accessories	<sup>2</sup> Remote non-adjustable wall-mount 20k <b>47W36</b>
	<sup>2</sup> Remote non-adjustable wall-mount 10k <b>47W37</b>
	Remote non-adjustable discharge air (duct mount) <b>19L22</b>
	Outdoor temperature sensor <b>X2658</b>
<b>CS3000 Commercial 5-2 Day Programmable Thermostat</b>	
CS3000 5-2 Day Thermostat	<b>11Y05</b>
Sensors/Accessories	Remote non-adjustable wall mount 10k averaging <b>47W37</b>
	Thermostat wall mounting plate <b>X2659</b>
<b>CS3000 Non-Programmable Thermostat</b>	
CS3000 Non-Programmable Thermostat	<b>51M32</b>
<b>Universal Thermostat Guard with Lock (clear)</b>	
	Inside Dimensions (H x W) 5 7/8 x 8 3/8 in. <b>39P21</b>
<b>Wired Room Sensor</b>	
LCS-5030 Wired Room Sensor	<b>21L07</b>

<sup>1</sup> Up to nine of the same type remote temperature sensors can be connected in parallel.

<sup>2</sup> Remote wall-mount sensors can be applied in any of the following combinations:  
 One Sensor - (1) 47W36, Two Sensors - (2) 47W37, Three Sensors - (2) 47W36 and (1) 47W37  
 Four Sensors - (4) 47W36, Five Sensors - (3) 47W36 and (2) 47W37

**Objective:** Outline the unit functions as a result of room thermostat or zone sensor demands.

**Given:** When economizer is present, it will function as an integral part of the unit cooling system. When not present, unit will function as if economizer is present but outdoor ambient is high and sensed as not suitable.

### **UNIT OPERATION WITH 2-STAGE THERMOSTAT (2 COOL AND 2 HEAT STAGES, Y1, Y2, W1, W2)**

#### **SUPPLY AIR BLOWER SPEED**

Unit has following supply air blower speed setting:

- Ventilation speed
- Cooling Speed - Low
- Cooling Speed - High
- Heating speed
- Smoke speed (Used only in smoke removal option - not discussed)

#### **<sup>1</sup> UNIT FEATURES AN ECONOMIZER AND OUTDOOR AIR IS SUITABLE**

Cooling - Thermostat Mode (Y1, Y2)

##### **Y1 Demand:**

All compressors are off, supply air blower is on low cooling speed to minimize blower power consumption, economizer modulates (minimum to maximum open position) to maintain 55°F supply air temperature (default unit controller setting).

##### **Y2 Demand:**

All compressors are off, supply air blower is on high cooling speed providing higher cooling capacity, and economizer modulates to maintain 55°F supply air temperature.

If economizer stays at maximum open for 3 minutes, compressor 1 is energized while supply air blower stays on high cooling speed providing maximum cooling capacity.

<sup>1</sup> Outdoor air suitability is determined by the energy state of outdoor ambient (enthalpy or sensible) and its ability to achieve the desired free cooling effects. Outdoor air suitability can also be determined by a third party controller and provided to the rooftop unit via a network connection.

#### **UNIT DOES NOT FEATURE AN ECONOMIZER OR OUTDOOR AIR IS NOT SUITABLE**

##### **Y1 Demand:**

Compressor 1 operates and supply air blower operates at low cooling speed.

##### **Y2 Demand:**

All compressors operate and supply air blower operates at high cooling speed.

#### **Dehumidification Mode**

If a unit with Humiditrol® Dehumidification Option receives a call for dehumidification, economizer free cooling is locked out.

##### **Call For Dehumidification, No Y1, Y2 demand:**

1st stage compressor operates, supply air blower operates at high cooling speed, and the reheat valve is energized.

##### **Y1 Demand With A Call For Dehumidification:**

All compressors operate, supply air blower operates at high cooling speed and the reheat valve is energized.

##### **Y2 Demand With A Call For Dehumidification:**

All compressors operate, supply air blower operates at high cooling speed, and the reheat valve is de-energized.



**UNIT OPERATION WITH 3-STAGE THERMOSTAT OR ZONE SENSOR  
(3 COOL AND 2 HEAT STAGES, Y1, Y2, Y3 AND W1, W2)****SUPPLY AIR BLOWER SPEED**

Unit has following supply air blower speed setting:

- Ventilation speed
- Cooling Speed - Low
- Cooling Speed - High
- Heating speed
- Smoke speed (Used only in smoke removal option - not discussed)

**<sup>1</sup> Unit Features An Economizer And Outdoor Air Is Suitable**

Cooling - Thermostat or Zone Sensor Mode (Y1, Y2, Y3)

**Y1 Demand:**

All compressors are off, supply air blower is on low cooling speed to minimize blower power consumption, economizer modulates (minimum to maximum open position) to maintain 55°F supply air temperature (default unit controller setting).

**Y2 Demand:**

All compressors are off, supply air blower is on high cooling speed providing higher cooling capacity, and economizer modulates to maintain 55°F supply air temperature.

If economizer stays at maximum open for 3 minutes, compressor 1 is energized while supply air blower stays on high cooling speed providing maximum cooling capacity. After compressors are energized the economizer stays at maximum open.

**Y3 Demand:**

Compressors 1 and 2 are energized while supply air blower stays on high cooling speed.

<sup>1</sup> Outdoor air suitability is determined by the energy state of outdoor ambient (enthalpy or sensible) and its ability to achieve the desired free cooling effects. Outdoor air suitability can also be determined by a third party controller and provided to the rooftop unit via a network connection.

**Unit Does Not Feature An Economizer or Outdoor Air Is Not Suitable****Y1 Demand:**

Compressor 1 operates and supply air blower operates at low cooling speed.

**Y2 or Y3 Demand:**

All compressors operate and supply air blower operates at high cooling speed.

**Dehumidification Mode**

If a unit with Humiditrol® Dehumidification Option receives a call for dehumidification, economizer free cooling is locked out.

**Call For Dehumidification, No Y1, Y2 demand:**

1st stage compressor operates, supply air blower operates at high cooling speed, and the reheat valve is energized.

**Y1 Demand With A Call For Dehumidification:**

All compressors operate, supply air blower operates at high cooling speed and the reheat valve is energized.

**Y2 Or Y3 Demand With A Call For Dehumidification:**

All compressors operate, supply air blower operates at high cooling speed, and the reheat valve is de-energized.

**HEATING MODE (GAS HEAT)**

NOTE - HEATING MODE IS THE SAME FOR ALL CONTROL OPTIONS

**W1 Demand:**

Gas valves are open (stage 1 on units with 2-stage gas valves) and supply air blower operates at heating speed.

**W2 Demand:**

Gas valves are open (stage 2 on units with 2-stage gas valves) and supply air blower operates at heating speed.

**MODULATING OUTDOOR AIR DAMPER**

The minimum damper position for “occupied low blower” and “occupied high blower” is adjusted during unit setup to provide minimum fresh air requirements per ASHRAE 62.1 at the corresponding supply air blower speeds.

When supply air blower is off or the unit is in unoccupied mode, the outdoor air damper is closed.

When unit is in occupied mode and supply air blower is operating at a speed below the “midpoint” blower speed, the outdoor air damper is at minimum “low blower” position.

When unit is in occupied mode and supply air blower is operating at a speed equal to or above the “midpoint” blower speed, the outdoor air damper is at minimum “high blower” position.

*NOTE - The “midpoint” blower speed is an average of the minimum and maximum blower speed (minimum speed + maximum speed divided by 2).*

**POWER EXHAUST**

NOTE - POWER EXHAUST OPERATION IS THE SAME FOR ALL CONTROL OPTIONS

Power exhaust blower operates when economizer outdoor air dampers are 50% open (adjustable) and when supply air blower speed is above 70% (adjustable) of full speed.

## OPTIONS / ACCESSORIES

Item Description	Catalog Number	Unit Model No				
		092	102	120	150	
<b>COOLING SYSTEM</b>						
Condensate Drain Trap	PVC	<b>22H54</b>	OX	OX	OX	OX
	Copper	<b>76W27</b>	X	X	X	X
Conventional Fin/Tube Condenser Coil (replaces Environ™ Coil System)	Factory		O	O	O	
Corrosion Protection	Factory		O	O	O	O
Drain Pan Overflow Switch	<b>21Z07</b>		OX	OX	OX	OX
Refrigerant Type	R-410A		O	O	O	O
Service Valves (not for Environ™ Coil System or Humiditrol® Dehumidification equipped units)	Factory		O	O	O	O
<b>HEATING SYSTEM</b>						
Bottom Gas Piping Kit	<b>54W95</b>		OX	OX	OX	OX
Combustion Air Intake Extensions	<b>19W51</b>		X	X	X	X
Gas Heat Input	130,000 Btuh	Factory	O	O	O	O
	180,000 Btuh	Factory	O	O	O	O
	240,000 Btuh	Factory	O	O	O	O
Low Temperature Vestibule Heater	208/230V-3ph	<b>22A51</b>	OX	OX	OX	OX
	460V	<b>22A55</b>	OX	OX	OX	OX
	575V	<b>13X65</b>	OX	OX	OX	OX
LPG/Propane Conversion Kits	Standard Heat	<b>14N22</b>	X	X	X	X
	Medium Heat	<b>14N23</b>	X	X	X	X
	High Heat	<b>14N25</b>	X	X	X	X
Stainless Steel Heat Exchanger	Factory		O	O	O	O
Vertical Vent Extension Kit	<b>42W16</b>		X	X	X	X
<b>BLOWER - SUPPLY AIR</b>						
Blower Option	CAV (Constant Air Volume)	Factory	O	O	O	O
	MSAV® (Multi-Stage Air Volume) supply air blower option (With VFD Bypass Control)	Factory	O	O	O	O
	MSAV® (Multi-Stage Air Volume) supply air blower option (Without VFD Bypass Control)	Factory	O	O	O	O
Motors - Constant Air Volume (CAV)	Belt Drive (standard efficiency) - 2 hp	Factory	O	O	O	O
	Belt Drive (standard or high efficiency) - 3 hp	Factory	O	O	O	O
	Belt Drive (standard efficiency) - 5 hp	Factory	O	O	O	O
Motors - MSAV® Multi-Stage Air Volume	Belt Drive (standard efficiency) - 2 hp	Factory	O	O	O	O
	Belt Drive (standard efficiency) - 3 hp	Factory	O	O	O	O
	Belt Drive (standard efficiency) - 5 hp	Factory	O	O	O	O
Drive Kits See Blower Data Tables for selection	Kit #1 590-890 rpm	Factory	O	O	O	O
	Kit #2 800-1105 rpm	Factory	O	O	O	O
	Kit #3 795-1195 rpm	Factory	O	O	O	O
	Kit #4 730-970 rpm	Factory	O	O	O	O
	Kit #5 940-1200 rpm	Factory	O	O	O	O
	Kit #6 1015-1300 rpm	Factory	O	O	O	O
	Kit #7 730-970 rpm	Factory	O	O	O	O
	Kit #8 940-1200 rpm	Factory	O	O	O	O
	Kit #9 1015-1300 rpm	Factory	O	O	O	O
	Kit #10 900-1135 rpm	Factory	O	O	O	O
	Kit #11 1040-1315 rpm	Factory	O	O	O	O
	Kit #12 1125-1425 rpm	Factory	O	O	O	O
Blower Belt Auto-Tensioner	Factory	O	O	O	O	
<b>CABINET</b>						
Combination Coil/ Hail Guards	Furnished Environ™ Coil System	<b>13T05</b>	X	X	X	
	Optional Conventional Fin/Tube Condenser Coil	<b>13T04</b>	X	X	X	
	Furnished Conventional Fin/Tube Condenser Coil System	<b>13T05</b>				X
Horizontal Discharge Kit	<b>51W25</b>		X	X	X	X
Return Air Adaptor Plate (for LC/LG/LH and TC/TG/TH unit replacement)	<b>54W96</b>		OX	OX	OX	OX

NOTE - Catalog and model numbers shown are for ordering field installed accessories.  
OX - Configure To Order (Factory Installed) or Field Installed  
O = Configure To Order (Factory Installed)  
X = Field Installed

## OPTIONS / ACCESSORIES

Item Description	Catalog Number	Unit Model No			
		092	102	120	150
<b>CONTROLS</b>					
Blower Proving Switch	<b>21Z10</b>	OX	OX	OX	OX
Commercial Controls	BACnet® Module <b>59W51</b>	OX	OX	OX	OX
	LonTalk® Module <b>54W27</b>	OX	OX	OX	OX
	Novar® LSE Factory	O	O	O	O
Dirty Filter Switch	<b>53W67</b>	OX	OX	OX	OX
General Purpose Control Kit	<b>13J78</b>	X	X	X	X
Fresh Air Tempering	<b>58W63</b>	OX	OX	OX	OX
Smoke Detector - Supply or Return (Power board and one sensor)	<b>11K76</b>	OX	OX	OX	OX
Smoke Detector - Supply and Return (Power board and two sensors)	<b>11K80</b>	OX	OX	OX	OX
<b>INDOOR AIR QUALITY</b>					
<b>Air Filters</b>					
Healthy Climate® High Efficiency Air Filters 20 x 25 x 2 (Order 4 per unit)	MERV 8 <b>50W61</b>	OX	OX	OX	OX
	MERV 13 <b>52W41</b>	OX	OX	OX	OX
	MERV 16 <b>21U41</b>	OX	OX	OX	OX
Replacement Media Filter With Metal Mesh Frame (includes non-pleated filter media)	<b>Y3063</b>	X	X	X	X
<b>Indoor Air Quality (CO<sub>2</sub>) Sensors</b>					
Sensor - Wall-mount, off-white plastic cover with LCD display	<b>77N39</b>	X	X	X	X
Sensor - Wall-mount, off-white plastic cover, no display	<b>87N53</b>	X	X	X	X
Sensor - Black plastic case with LCD display, rated for plenum mounting	<b>87N52</b>	X	X	X	X
Sensor - Wall-mount, black plastic case, no display, rated for plenum mounting	<b>87N54</b>	X	X	X	X
CO <sub>2</sub> Sensor Duct Mounting Kit - for downflow applications	<b>85L43</b>	X	X	X	X
Aspiration Box - for duct mounting non-plenum rated CO <sub>2</sub> sensors ( <b>87N53</b> or <b>77N39</b> )	<b>90N43</b>	X	X	X	X
<b>Needlepoint Bipolar Ionization (NPBI)</b>					
Needlepoint Bipolar Ionization (NPBI) Kit	<b>22U15</b>	X	X	X	X
<b>UVC Germicidal Lamps</b>					
<sup>1</sup> Healthy Climate® UVC Light Kit (110/230v-1ph)	<b>21A93</b>	X	X	X	X
Step-Down Transformers	460V primary, 230V secondary <b>10H20</b>	X	X	X	X
	575V primary, 230V secondary <b>10H21</b>	X	X	X	X
<b>ELECTRICAL</b>					
Voltage 60 hz	208/230V - 3 phase Factory	O	O	O	O
	460V - 3 phase Factory	O	O	O	O
	575V - 3 phase Factory	O	O	O	O
HACR Circuit Breakers	Factory	O	O	O	O
<sup>2</sup> Short-Circuit Current Rating (SCCR) of 100kA (includes Phase/Voltage Detection)	Factory	O	O	O	O
Disconnect Switch	80 amp <b>54W56</b>	OX	OX	OX	OX
	150 amp <b>54W57</b>	OX	OX	OX	OX
GFI Service Outlets	15 amp non-powered, field-wired (208/230V, 460V only) <b>74M70</b>	OX	OX	OX	OX
	<sup>3</sup> 20 amp non-powered, field-wired (208/230V, 460V, 575V) <b>67E01</b>	X	X	X	X
	<sup>3</sup> 20 amp non-powered, field-wired (575V) Factory	O	O	O	O
Weatherproof Cover for GFI	<b>10C89</b>	X	X	X	X
Phase/Voltage Detection (Optional for CAV options only, furnished with MSAV® Multi-Stage Air Volume Supply Fan option)	Factory	O	O	O	O

<sup>1</sup> Lamps operate on 110-230V single-phase power supply. Step-down transformer may be ordered separately for 460V and 575V units. Alternately, 110V power supply may be used to directly power the UVC ballast(s).

<sup>2</sup> Disconnect Switch is furnished and factory installed with High SCCR option.

<sup>3</sup> Canada requires a minimum 20 amp circuit. Select 20 amp, non-powered, field wired GFI.

NOTE - Catalog and model numbers shown are for ordering field installed accessories.

OX = Configure To Order (Factory Installed) or Field Installed

O = Configure To Order (Factory Installed)

X = Field Installed

## OPTIONS / ACCESSORIES

Item Description	Catalog Number	Unit Model No			
		092	102	120	150
<b>ECONOMIZER</b>					
<b>High Performance Economizer (Approved for California Title 24 Building Standards / AMCA Class 1A Certified)</b>					
High Performance Economizer Downflow or Horizontal - Includes Outdoor Air Hood and Downflow Barometric Relief Dampers with Exhaust Hood Order Horizontal Barometric Relief Dampers separately	20U80	OX	OX	OX	OX
<b>Horizontal Barometric Relief Dampers</b>					
Horizontal Low Profile Barometric With Exhaust Hood	53K04	X	X	X	X
<b>Economizer Controls (Not for Title 24)</b>					
Differential Enthalpy	Order 2 21Z09	OX	OX	OX	OX
Sensible Control	Sensor is Furnished Factory	O	O	O	O
Single Enthalpy	21Z09	OX	OX	OX	OX
Building Pressure Control	13J77	X	X	X	X
Outdoor Air CFM Control	13J76	X	X	X	X
Global Control	Sensor Field Provided Factory	O	O	O	O
<b>OUTDOOR AIR</b>					
<b>Outdoor Air Dampers With Outdoor Air Hood</b>					
Motorized	14G28	OX	OX	OX	OX
Manual	14G29	OX	OX	OX	OX
<b>POWER EXHAUST</b>					
Standard Static	208/230V-3ph 53W44	OX	OX	OX	OX
	460V-3ph 53W45	OX	OX	OX	OX
	575V-3ph 53W46	OX	OX	OX	OX
<b>HUMIDITROL® CONDENSER REHEAT OPTION</b>					
Humiditrol Dehumidification Option	Factory	O	O	O	O
Humidity Sensor Kit, Remote mounted (required)	17M50	X	X	X	X
<b>ROOF CURBS</b>					
<b>Hybrid Roof Curbs, Downflow</b>					
8 in. height	11F54	X	X	X	X
14 in. height	11F55	X	X	X	X
18 in. height	11F56	X	X	X	X
24 in. height	11F57	X	X	X	X
<b>Adjustable Pitch Curb, Downflow</b>					
14 in. height	54W50	X	X	X	X
<b>CEILING DIFFUSERS</b>					
Step-Down - Order one	RTD11-95S 13K61	X			
	RTD11-135S 13K62		X	X	
	RTD11-185S 13K63				X
Flush - Order one	FD11-95S 13K56	X			
	FD11-135S 13K57		X	X	
	FD11-185S 13K58				X
Transitions (Supply and Return) - Order one	C1DIFF30B-1 12X65	X			
	C1DIFF31B-1 12X66		X	X	
	C1DIFF32B-1 12X67				X

NOTE - Catalog and model numbers shown are for ordering field installed accessories.  
OX - Configure To Order (Factory Installed) or Field Installed  
O = Configure To Order (Factory Installed)  
X = Field Installed

## SPECIFICATIONS

General Data		Nominal Tonnage	7.5 Ton	7.5 Ton	8.5 Ton	8.5 Ton
		Model Number	LGH092H4B	LGH092H4M	LGH102H4B	LGH102H4M
		Efficiency Type	High	High	High	High
		Blower Type	Constant Air Volume CAV	MSAV® Multi-Stage Air Volume	Constant Air Volume CAV	MSAV® Multi-Stage Air Volume
<b>Cooling Performance</b>	Gross Cooling Capacity - Btuh		93,000	93,000	103,800	103,800
	<sup>1</sup> Net Cooling Capacity - Btuh		90,000	90,000	100,000	100,000
	AHRI Rated Air Flow - cfm		3000	2800	3400	3400
	Total Unit Power - kW		7.5	7.5	8.1	8.1
	<sup>1</sup> EER (Btuh/Watt)		12.5	12.5	12.2	12.2
	<sup>2</sup> IEER (Btuh/Watt)		13.0	14.0	12.9	14.0
<b>Refrigerant Charge</b>	Refrigerant Type		R-410A	R-410A	R-410A	R-410A
	Environ™ Coil System	Circuit 1	6 lbs. 6 oz.	6 lbs. 6 oz.	6 lbs. 8 oz.	6 lbs. 8 oz.
		Circuit 2	6 lbs. 7 oz.	6 lbs. 7 oz.	6 lbs. 12 oz.	6 lbs. 12 oz.
	Environ™ Coil System with Humiditrol®	Circuit 1	6 lbs. 6 oz.	6 lbs. 6 oz.	6 lbs. 8 oz.	6 lbs. 8 oz.
		Circuit 2	6 lbs. 7 oz.	6 lbs. 7 oz.	6 lbs. 12 oz.	6 lbs. 12 oz.
	Conventional Fin/Tube	Circuit 1	13 lbs. 8 oz.	13 lbs. 8 oz.	13 lbs. 8 oz.	13 lbs. 8 oz.
	Coil Option	Circuit 2	12 lbs. 8 oz.	12 lbs. 8 oz.	12 lbs. 8 oz.	12 lbs. 8 oz.
	Conventional Fin/Tube	Circuit 1	17 lbs. 0 oz.	17 lbs. 0 oz.	17 lbs. 0 oz.	17 lbs. 0 oz.
	With Humiditrol®	Circuit 2	12 lbs. 8 oz.	12 lbs. 8 oz.	12 lbs. 8 oz.	12 lbs. 8 oz.
	<b>Gas Heating Options Available - See page 24</b>			Standard (2 Stage), Medium (2 Stage), High (2 Stage)		
<b>Compressor Type (number)</b>			Scroll (2)	Scroll (2)	Scroll (2)	Scroll (2)
<b>Outdoor Coils</b>	Net face area (total) - sq. ft.		28.0 (29.33)	28.0 (29.33)	28.0 (29.33)	28.0 (29.33)
	Environ™ (Fin/Tube)	Number of rows	1 (3)	1 (3)	1 (3)	1 (3)
		Fins per inch	20 (20)	20 (20)	20 (20)	20 (20)
<b>Outdoor Coil Fans</b>	Motor - (No.) hp		(2) 1/3	(2) 1/3	(2) 1/3	(2) 1/3
	Motor rpm		1075	1075	1075	1075
	Total Motor watts		800	800	800	800
	Diameter - (No.) in.		(2) 24	(2) 24	(2) 24	(2) 24
	Number of blades		3	3	3	3
	Total Air volume - cfm		8800	8800	8800	8800
<b>Indoor Coils</b>	Net face area (total) - sq. ft.		12.78	12.78	12.78	12.78
	Tube diameter - in.		3/8	3/8	3/8	3/8
	Number of rows		4	4	4	4
	Fins per inch		14	14	14	14
Drain connection - Number and size		(1) 1 in. NPT coupling				
Expansion device type		Balance port TXV, removable head				
<sup>3</sup> <b>Indoor Blower and Drive Selection</b>	Nominal motor output		2 hp, 3 hp, 5 hp			
	Maximum usable motor output (US Only)		2.3 hp, 3.45 hp, 5.75 hp			
	Motor - Drive kit number		2 hp <b>Kit 1</b> 590-890 rpm (std. and high efficiency) <b>Kit 2</b> 800-1105 rpm (std. and high efficiency) <b>Kit 3</b> 795-1195 rpm (std. and high efficiency) 3 hp <b>Kit 4</b> 730-970 rpm (std. efficiency) <b>Kit 5</b> 940-1200 rpm (std. efficiency) <b>Kit 6</b> 1015-1300 rpm (std. efficiency) <b>Kit 7</b> 730-970 rpm (high efficiency) <b>Kit 8</b> 940-1200 rpm (high efficiency) <b>Kit 9</b> 1015-1300 rpm (high efficiency) 5 hp <b>Kit 10</b> 900-1135 rpm (std. efficiency) <b>Kit 11</b> 1040-1315 rpm (std. efficiency) <b>Kit 12</b> 1125-1425 rpm (std. efficiency)			
Blower wheel nominal diameter x width - in.			(1) 15 X 15	(1) 15 X 15	(1) 15 X 15	(1) 15 X 15
<b>Filters</b>	Type of filter		Disposable			
	Number and size - in.		(4) 20 x 25 x 2			
<b>Electrical characteristics</b>			208/230V, 460V or 575V - 60 hertz - 3 phase			

NOTE - Net capacity includes evaporator blower motor heat deduction. Gross capacity does not include evaporator blower motor heat deduction.

<sup>1</sup> AHRI Certified to AHRI Standard 340/360; 95°F outdoor air temperature and 80°F db/67°F wb entering evaporator air; minimum external duct static pressure.

<sup>2</sup> Integrated Energy Efficiency Ratio certified and tested according to AHRI Standard 340/360.

<sup>3</sup> Using total air volume and system static pressure requirements determine from blower performance tables rpm and motor output required. Maximum usable output of motors furnished are shown. In Canada, nominal motor output is also maximum usable motor output. If motors of comparable output are used, be sure to keep within the service factor limitations outlined on the motor nameplate.

NOTE - Units equipped with MSAV® Multi-Stage Air Volume option are limited to a motor service factor of 1.0.

## SPECIFICATIONS

General Data		Nominal Tonnage	10 Ton	10 Ton	12.5 Ton	12.5 Ton
			Model Number	LGH120H4B	LGH120H4M	LGH150H4B
Efficiency Type		Blower Type	High	High	High	High
			Constant Air Volume CAV	MSAV® Multi-Stage Air Volume	Constant Air Volume CAV	MSAV® Multi-Stage Air Volume
<b>Cooling Performance</b>	Gross Cooling Capacity - Btuh		122,000	122,000	143,000	143,000
	<sup>1</sup> Net Cooling Capacity - Btuh		118,000	118,000	138,000	138,000
	AHRI Rated Air Flow - cfm		3600	3300	3950	3950
	Total Unit Power - kW		9.9	9.8	12.8	12.8
	<sup>1</sup> EER (Btuh/Watt)		12	12.0	10.8	10.8
	<sup>2</sup> IEER (Btuh/Watt)		13.0	13.8	12.2	13.5
<b>Refrigerant Charge</b>	Refrigerant Type		R-410A	R-410A	R-410A	R-410A
	Environ™ Coil System	Circuit 1	7 lbs. 0 oz.	7 lbs. 0 oz.	---	---
		Circuit 2	6 lbs. 12 oz.	6 lbs. 12 oz.	---	---
	Environ™ Coil System with Humiditrol®	Circuit 1	7 lbs. 0 oz.	7 lbs. 0 oz.	---	---
		Circuit 2	6 lbs. 12 oz.	6 lbs. 12 oz.	---	---
	Conventional Fin/Tube Coil Option	Circuit 1	14 lbs. 8 oz.	14 lbs. 8 oz.	14 lbs. 0 oz.	14 lbs. 0 oz.
		Circuit 2	13 lbs. 8 oz.	13 lbs. 8 oz.	13 lbs. 8 oz.	13 lbs. 8 oz.
	Conventional Fin/Tube with Humiditrol®	Circuit 1	17 lbs. 8 oz.	17 lbs. 8 oz.	14 lbs. 6 oz.	14 lbs. 6 oz.
	Circuit 2	13 lbs. 8 oz.	13 lbs. 8 oz.	13 lbs. 8 oz.	13 lbs. 8 oz.	
<b>Gas Heating Options Available - See page 24</b>			Standard (2 Stage), Medium (2 Stage), High (2 Stage)			
<b>Compressor Type (number)</b>			Scroll (2)	Scroll (2)	Scroll (2)	Scroll (2)
<b>Outdoor Coils</b>	Net face area (total) - sq. ft.		28.0 (29.33)	28.0 (29.33)	--- (28.0)	--- (28.0)
	Environ™ (Fin/Tube)	Number of rows	1 (3)	1 (3)	3	3
		Fins per inch	20 (20)	20 (20)	20	20
<b>Outdoor Coil Fans</b>	Motor - (No.) hp		(2) 1/3	(2) 1/3	(2) 1/2	(2) 1/2
	Motor rpm		1075	1075	1075	1075
	Total Motor watts		800	800	1050	1050
	Diameter - (No.) in.		(2) 24	(2) 24	(2) 24	(2) 24
	Number of blades		3	3	3	3
	Total Air volume - cfm		8800	8800	9700	9700
	<b>Indoor Coils</b>	Net face area (total) - sq. ft.		13.54	13.54	13.54
Tube diameter - in.		3/8	3/8	3/8	3/8	
Number of rows		4	4	4	4	
Fins per inch		14	14	14	14	
Drain connection - Number and size		(1) 1 in. NPT coupling				
Expansion device type		Balance port TXV, removable head				
<b><sup>3</sup> Indoor Blower and Drive Selection</b>	Nominal motor output		2 hp, 3 hp, 5 hp			
	Maximum usable motor output (US Only)		2.3 hp, 3.45 hp, 5.75 hp			
	Motor - Drive kit number		2 hp <b>Kit 1</b> 590-890 rpm (std. and high efficiency) <b>Kit 2</b> 800-1105 rpm (std. and high efficiency) <b>Kit 3</b> 795-1195 rpm (std. and high efficiency) 3 hp <b>Kit 4</b> 730-970 rpm (std. efficiency) <b>Kit 5</b> 940-1200 rpm (std. efficiency) <b>Kit 6</b> 1015-1300 rpm (std. efficiency) <b>Kit 7</b> 730-970 rpm (high efficiency) <b>Kit 8</b> 940-1200 rpm (high efficiency) <b>Kit 9</b> 1015-1300 rpm (high efficiency) 5 hp <b>Kit 10</b> 900-1135 rpm (std. efficiency) <b>Kit 11</b> 1040-1315 rpm (std. efficiency) <b>Kit 12</b> 1125-1425 rpm (std. efficiency)			
Blower wheel nominal diameter x width - in.			(1) 15 X 15	(1) 15 X 15	(1) 15 X 15	(1) 15 X 15
<b>Filters</b>	Type of filter		Disposable			
	Number and size - in.		(4) 20 x 25 x 2			
<b>Electrical characteristics</b>			208/230V, 460V or 575V - 60 hertz - 3 phase			

NOTE - Net capacity includes evaporator blower motor heat deduction. Gross capacity does not include evaporator blower motor heat deduction.

<sup>1</sup> AHRI Certified to AHRI Standard 340/360; 95°F outdoor air temperature and 80°F db/67°F wb entering evaporator air; minimum external duct static pressure.

<sup>2</sup> Integrated Energy Efficiency Ratio certified and tested according to AHRI Standard 340/360.

<sup>3</sup> Using total air volume and system static pressure requirements determine from blower performance tables rpm and motor output required. Maximum usable output of motors furnished are shown. In Canada, nominal motor output is also maximum usable motor output. If motors of comparable output are used, be sure to keep within the service factor limitations outlined on the motor nameplate.

NOTE - Units equipped with MSAV® Multi-Stage Air Volume option are limited to a motor service factor of 1.0.

## SPECIFICATIONS - GAS HEAT

		Heat Input Type	Standard	Medium	High
		Number of Gas Heat Stages	2	2	2
Gas Heating Performance	Input - Btuh	First Stage	84,500	117,000	156,000
		Second Stage	130,000	180,000	240,000
	Output - Btuh	Second Stage	104,000	144,000	192,000
	Temperature Rise Range - °F		15 - 45	30 - 60	40 - 70
	Thermal Efficiency		80%	80%	80%
	Gas Supply Connections		3/4 in. npt	3/4 in. npt	3/4 in. npt.
Recommended Gas Supply Pressure - in. w.g.	Natural		7 in. w.c.	7 in. w.c.	7 in. w.c.
	LPG/Propane		11 in. w.c.	11 in. w.c.	11 in. w.c.

## HIGH ALTITUDE DERATE

Units may be installed at altitudes up to 2000 feet above sea level without any modification.

At altitudes above 2000 feet, units must be derated to match gas manifold pressures shown in table below.

At altitudes above 4500 feet unit must be derated 2% for each 1000 feet above sea level.

NOTE – This is the only permissible derate for these units.

Gas Heat Type	Altitude Feet	Gas Manifold Pressure in. w.g.		Input Rate - Btuh (Natural Gas or LPG/Propane)	
		Natural Gas	LPG/Propane Gas	First Stage	Second Stage
Standard	2001-4500	3.4	9.6	84,500	124,000
Medium	2001-4500	3.4	9.6	117,000	172,000
High	2001-4500	3.4	9.6	156,000	230,000



# RATINGS

NOTE – For Temperatures and Capacities not shown in tables, see bulletin – Cooling Unit Rating Table Correction Factor Data in Miscellaneous Engineering Data section.

## 7.5 TON HIGH EFFICIENCY LGH092H4B (PART LOAD) - CONSTANT AIR VOLUME

Entering Wet Bulb Temperature	Total Air Volume	Outdoor Air Temperature Entering Outdoor Coil																			
		65°F					75°F					85°F					95°F				
		Total Cool Cap.	Comp. Motor Input	Sensible To Total Ratio (S/T)			Total Cool Cap.	Comp. Motor Input	Sensible To Total Ratio (S/T)			Total Cool Cap.	Comp. Motor Input	Sensible To Total Ratio (S/T)			Total Cool Cap.	Comp. Motor Input	Sensible To Total Ratio (S/T)		
				Dry Bulb					Dry Bulb					Dry Bulb					Dry Bulb		
cfm	kBtuh	kW	75°F	80°F	85°F	kBtuh	kW	75°F	80°F	85°F	kBtuh	kW	75°F	80°F	85°F	kBtuh	kW	75°F	80°F	85°F	
63°F	2400	48.6	1.95	0.63	0.76	0.93	46.8	2.21	0.64	0.78	0.95	44.9	2.49	0.65	0.80	0.98	42.9	2.81	0.66	0.83	1.00
	3000	51.0	1.96	0.67	0.85	1.00	49.1	2.22	0.68	0.88	1.00	47.2	2.50	0.70	0.90	1.00	45.0	2.82	0.72	0.94	1.00
	3600	52.9	1.97	0.72	0.95	1.00	50.9	2.22	0.74	0.97	1.00	48.9	2.50	0.76	0.99	1.00	46.7	2.82	0.79	1.00	1.00
67°F	2400	51.3	1.96	0.50	0.61	0.72	49.5	2.22	0.51	0.62	0.73	47.6	2.50	0.51	0.63	0.76	45.5	2.82	0.52	0.64	0.78
	3000	53.9	1.97	0.53	0.65	0.80	51.9	2.22	0.53	0.66	0.83	49.7	2.50	0.55	0.67	0.86	47.7	2.82	0.56	0.69	0.89
	3600	55.9	1.98	0.55	0.70	0.90	53.7	2.23	0.56	0.71	0.93	51.5	2.51	0.57	0.74	0.96	48.9	2.83	0.58	0.76	0.99
71°F	2400	54.1	1.97	0.39	0.49	0.59	52.2	2.22	0.39	0.49	0.60	50.2	2.50	0.39	0.51	0.60	48.0	2.82	0.39	0.51	0.61
	3000	56.8	1.98	0.39	0.51	0.63	54.7	2.23	0.40	0.52	0.64	52.4	2.51	0.40	0.53	0.65	50.1	2.83	0.41	0.55	0.67
	3600	58.6	1.99	0.41	0.54	0.67	56.5	2.24	0.41	0.55	0.69	54.1	2.51	0.42	0.56	0.71	51.5	2.83	0.42	0.57	0.73

## 7.5 TON HIGH EFFICIENCY LGH092H4B (FULL LOAD) - CONSTANT AIR VOLUME

Entering Wet Bulb Temperature	Total Air Volume	Outdoor Air Temperature Entering Outdoor Coil																			
		85°F					95°F					105°F					115°F				
		Total Cool Cap.	Comp. Motor Input	Sensible To Total Ratio (S/T)			Total Cool Cap.	Comp. Motor Input	Sensible To Total Ratio (S/T)			Total Cool Cap.	Comp. Motor Input	Sensible To Total Ratio (S/T)			Total Cool Cap.	Comp. Motor Input	Sensible To Total Ratio (S/T)		
				Dry Bulb					Dry Bulb					Dry Bulb					Dry Bulb		
cfm	kBtuh	kW	75°F	80°F	85°F	kBtuh	kW	75°F	80°F	85°F	kBtuh	kW	75°F	80°F	85°F	kBtuh	kW	75°F	80°F	85°F	
63°F	2400	87.9	5.19	.69	.83	.98	84.0	5.86	.70	.85	1.00	79.8	6.64	.72	.88	1.00	75.2	7.55	.74	.92	1.00
	3000	92.3	5.20	.74	.92	1.00	88.0	5.87	.76	.95	1.00	83.5	6.64	.78	.98	1.00	78.7	7.54	.81	1.00	1.00
	3600	95.6	5.21	.79	1.00	1.00	91.4	5.87	.82	1.00	1.00	87.3	6.64	.85	1.00	1.00	82.9	7.55	.88	1.00	1.00
67°F	2400	93.0	5.20	.55	.66	.79	89.0	5.87	.55	.68	.81	84.5	6.64	.56	.69	.84	79.5	7.54	.58	.71	.87
	3000	97.3	5.21	.58	.71	.88	93.0	5.88	.59	.73	.91	88.2	6.65	.60	.76	.94	82.8	7.54	.61	.78	.98
	3600	100.6	5.22	.61	.77	.97	95.7	5.88	.62	.79	.99	90.8	6.65	.63	.82	1.00	85.2	7.54	.64	.86	1.00
71°F	2400	98.2	5.21	.42	.53	.64	93.8	5.88	.42	.54	.65	89.0	6.65	.42	.54	.67	84.2	7.54	.43	.56	.69
	3000	102.5	5.23	.43	.56	.69	97.9	5.89	.43	.58	.71	92.9	6.65	.44	.59	.73	87.5	7.54	.44	.60	.76
	3600	105.9	5.24	.44	.60	.75	100.8	5.89	.45	.61	.77	95.4	6.65	.45	.62	.79	89.9	7.54	.46	.64	.84

## 8.5 TON HIGH EFFICIENCY LGH102H4B (PART LOAD) - CONSTANT AIR VOLUME

Entering Wet Bulb Temperature	Total Air Volume	Outdoor Air Temperature Entering Outdoor Coil																			
		65°F					75°F					85°F					95°F				
		Total Cool Cap.	Comp. Motor Input	Sensible To Total Ratio (S/T)			Total Cool Cap.	Comp. Motor Input	Sensible To Total Ratio (S/T)			Total Cool Cap.	Comp. Motor Input	Sensible To Total Ratio (S/T)			Total Cool Cap.	Comp. Motor Input	Sensible To Total Ratio (S/T)		
				Dry Bulb					Dry Bulb					Dry Bulb					Dry Bulb		
cfm	kBtuh	kW	75°F	80°F	85°F	kBtuh	kW	75°F	80°F	85°F	kBtuh	kW	75°F	80°F	85°F	kBtuh	kW	75°F	80°F	85°F	
63°F	2720	52.3	2.13	.62	.76	.96	50.4	2.41	.63	.78	.98	48.4	2.73	.64	.81	1.00	46.3	3.08	.65	.84	1.00
	3400	54.8	2.14	.66	.87	1.00	52.7	2.42	.67	.90	1.00	50.6	2.73	.69	.93	1.00	48.4	3.09	.71	.97	1.00
	4080	56.6	2.15	.72	.97	1.00	54.6	2.43	.74	.99	1.00	52.4	2.74	.77	1.00	1.00	50.3	3.09	.80	1.00	1.00
67°F	2720	55.2	2.14	.49	.60	.71	53.2	2.42	.50	.61	.73	51.2	2.73	.50	.62	.76	48.7	3.09	.50	.63	.79
	3400	57.7	2.15	.52	.64	.82	55.6	2.43	.52	.65	.84	53.3	2.74	.54	.67	.88	50.9	3.09	.55	.68	.92
	4080	59.7	2.16	.55	.69	.93	57.4	2.44	.56	.71	.96	54.9	2.74	.56	.73	.99	52.4	3.10	.57	.76	1.00
71°F	2720	58.0	2.16	.38	.48	.58	56.1	2.43	.38	.49	.59	53.8	2.74	.38	.49	.60	51.3	3.09	.38	.50	.61
	3400	60.7	2.16	.39	.51	.62	58.4	2.44	.39	.51	.63	56.0	2.75	.39	.53	.65	53.6	3.10	.40	.54	.67
	4080	62.5	2.17	.40	.53	.67	60.2	2.45	.40	.55	.68	57.8	2.75	.40	.56	.71	55.0	3.10	.41	.56	.73

## 8.5 TON HIGH EFFICIENCY LGH102H4B (FULL LOAD) - CONSTANT AIR VOLUME

Entering Wet Bulb Temperature	Total Air Volume	Outdoor Air Temperature Entering Outdoor Coil																			
		85°F					95°F					105°F					115°F				
		Total Cool Cap.	Comp. Motor Input	Sensible To Total Ratio (S/T)			Total Cool Cap.	Comp. Motor Input	Sensible To Total Ratio (S/T)			Total Cool Cap.	Comp. Motor Input	Sensible To Total Ratio (S/T)			Total Cool Cap.	Comp. Motor Input	Sensible To Total Ratio (S/T)		
				Dry Bulb					Dry Bulb					Dry Bulb					Dry Bulb		
cfm	kBtuh	kW	75°F	80°F	85°F	kBtuh	kW	75°F	80°F	85°F	kBtuh	kW	75°F	80°F	85°F	kBtuh	kW	75°F	80°F	85°F	
63°F	2720	98.8	5.54	.70	.85	1.00	94.4	6.27	.72	.88	1.00	89.7	7.10	.73	.91	1.00	84.7	8.09	.76	.95	1.00
	3400	103.3	5.56	.76	.95	1.00	98.6	6.27	.78	.98	1.00	93.5	7.11	.80	1.00	1.00	88.7	8.08	.83	1.00	1.00
	4080	106.9	5.56	.82	1.00	1.00	102.6	6.28	.84	1.00	1.00	98.2	7.12	.88	1.00	1.00	93.1	8.08	.91	1.00	1.00
67°F	2720	104.3	5.56	.55	.68	.81	99.6	6.28	.56	.69	.84	94.7	7.11	.57	.71	.87	89.3	8.08	.59	.73	.91
	3400	108.8	5.57	.59	.74	.91	103.8	6.29	.60	.76	.94	98.5	7.12	.61	.78	.97	92.7	8.08	.62	.81	1.00
	4080	112.0	5.58	.62	.80	.99	106.6	6.30	.63	.82	1.00	101.2	7.12	.65	.85	1.00	95.2	8.08	.66	.89	1.00
71°F	2720	109.6	5.57	.42	.54	.66	104.7	6.29	.43	.55	.67	99.7	7.12	.43	.56	.69	94.1	8.08	.43	.58	.71
	3400	114.3	5.59	.43	.58	.72	109.2	6.30	.44	.59	.74	103.6	7.12	.45	.60	.76	97.4	8.08	.45	.61	.78
	4080	117.8	5.60	.45	.61	.77	112.2	6.31	.45	.62	.80	106.4	7.13	.46	.64	.83	100.0	8.08	.47	.66	.86

# RATINGS

NOTE – For Temperatures and Capacities not shown in tables, see bulletin – Cooling Unit Rating Table Correction Factor Data in Miscellaneous Engineering Data section.

## 10 TON HIGH EFFICIENCY LGH120H4B (PART LOAD) - CONSTANT AIR VOLUME

Entering Wet Bulb Temperature	Total Air Volume	Outdoor Air Temperature Entering Outdoor Coil																			
		65°F					75°F					85°F					95°F				
		Total Cool Cap.	Comp. Motor Input	Sensible To Total Ratio (S/T)			Total Cool Cap.	Comp. Motor Input	Sensible To Total Ratio (S/T)			Total Cool Cap.	Comp. Motor Input	Sensible To Total Ratio (S/T)			Total Cool Cap.	Comp. Motor Input	Sensible To Total Ratio (S/T)		
				Dry Bulb					Dry Bulb					Dry Bulb					Dry Bulb		
cfm	kBtuh	kW	75°F	80°F	85°F	kBtuh	kW	75°F	80°F	85°F	kBtuh	kW	75°F	80°F	85°F	kBtuh	kW	75°F	80°F	85°F	
63°F	3200	61.5	2.61	.64	.78	.95	59.3	2.96	.65	.80	.97	56.8	3.34	.66	.82	1.00	54.3	3.77	.67	.85	1.00
	4000	64.5	2.64	.68	.86	1.00	62.2	2.99	.70	.89	1.00	59.5	3.37	.71	.93	1.00	56.8	3.80	.74	.96	1.00
	4800	66.8	2.67	.73	.95	1.00	64.3	3.02	.76	.98	1.00	61.5	3.40	.78	1.00	1.00	58.8	3.83	.81	1.00	1.00
67°F	3200	64.8	2.65	.51	.62	.73	62.5	2.99	.52	.63	.75	60.0	3.38	.52	.64	.78	57.2	3.81	.53	.65	.80
	4000	68.1	2.68	.53	.66	.82	65.5	3.03	.54	.67	.84	62.7	3.41	.55	.69	.88	59.8	3.84	.56	.70	.91
	4800	70.3	2.71	.56	.70	.91	67.7	3.06	.58	.73	.94	64.7	3.44	.58	.75	.98	61.6	3.87	.60	.78	1.00
71°F	3200	68.5	2.69	.40	.50	.60	66.0	3.04	.39	.50	.61	63.4	3.42	.40	.51	.62	60.5	3.85	.40	.52	.63
	4000	71.5	2.72	.40	.52	.64	68.9	3.07	.40	.53	.65	65.9	3.46	.41	.54	.67	62.7	3.88	.41	.55	.68
	4800	73.9	2.75	.41	.55	.68	70.9	3.10	.42	.56	.70	67.9	3.48	.43	.57	.73	64.7	3.91	.43	.58	.75

## 10 TON HIGH EFFICIENCY LGH120H4B (FULL LOAD) - CONSTANT AIR VOLUME

Entering Wet Bulb Temperature	Total Air Volume	Outdoor Air Temperature Entering Outdoor Coil																			
		85°F					95°F					105°F					115°F				
		Total Cool Cap.	Comp. Motor Input	Sensible To Total Ratio (S/T)			Total Cool Cap.	Comp. Motor Input	Sensible To Total Ratio (S/T)			Total Cool Cap.	Comp. Motor Input	Sensible To Total Ratio (S/T)			Total Cool Cap.	Comp. Motor Input	Sensible To Total Ratio (S/T)		
				Dry Bulb					Dry Bulb					Dry Bulb					Dry Bulb		
cfm	kBtuh	kW	75°F	80°F	85°F	kBtuh	kW	75°F	80°F	85°F	kBtuh	kW	75°F	80°F	85°F	kBtuh	kW	75°F	80°F	85°F	
63°F	3200	118.3	7.09	.67	.83	1.00	113.1	8.00	.68	.86	1.00	107.4	9.04	.70	.89	1.00	101.4	10.23	.72	.93	1.00
	4000	123.7	7.16	.72	.94	1.00	118.2	8.07	.75	.97	1.00	112.2	9.11	.78	1.00	1.00	106.1	10.29	.81	1.00	1.00
	4800	127.9	7.21	.79	1.00	1.00	122.7	8.13	.82	1.00	1.00	116.9	9.17	.85	1.00	1.00	111.3	10.37	.90	1.00	1.00
67°F	3200	124.8	7.17	.53	.65	.79	119.2	8.08	.54	.66	.81	113.4	9.12	.54	.68	.84	106.8	10.30	.56	.70	.89
	4000	130.2	7.24	.56	.70	.90	124.4	8.16	.57	.72	.93	118.1	9.19	.58	.75	.97	111.1	10.36	.60	.78	1.00
	4800	134.2	7.29	.59	.77	.99	127.9	8.21	.61	.80	1.00	121.0	9.23	.62	.82	1.00	114.1	10.40	.64	.87	1.00
71°F	3200	131.6	7.26	.40	.52	.63	125.7	8.17	.41	.52	.64	119.6	9.21	.41	.53	.66	112.8	10.38	.41	.55	.68
	4000	136.6	7.33	.42	.55	.68	130.6	8.24	.42	.56	.70	123.7	9.27	.43	.58	.72	116.7	10.45	.43	.59	.75
	4800	140.5	7.38	.43	.58	.74	134.1	8.29	.44	.60	.77	127.3	9.32	.44	.62	.80	119.5	10.49	.45	.63	.84

## 12.5 TON HIGH EFFICIENCY LGH150H4B (PART LOAD) - CONSTANT AIR VOLUME

Entering Wet Bulb Temperature	Total Air Volume	Outdoor Air Temperature Entering Outdoor Coil																			
		65°F					75°F					85°F					95°F				
		Total Cool Cap.	Comp. Motor Input	Sensible To Total Ratio (S/T)			Total Cool Cap.	Comp. Motor Input	Sensible To Total Ratio (S/T)			Total Cool Cap.	Comp. Motor Input	Sensible To Total Ratio (S/T)			Total Cool Cap.	Comp. Motor Input	Sensible To Total Ratio (S/T)		
				Dry Bulb					Dry Bulb					Dry Bulb					Dry Bulb		
cfm	kBtuh	kW	75°F	80°F	85°F	kBtuh	kW	75°F	80°F	85°F	kBtuh	kW	75°F	80°F	85°F	kBtuh	kW	75°F	80°F	85°F	
63°F	3800	76.4	3.46	0.67	0.81	0.96	72.0	3.83	0.67	0.82	0.98	67.0	4.24	0.68	0.84	0.99	61.7	4.69	0.68	0.86	1.00
	4400	79.6	3.47	0.71	0.86	1.00	74.9	3.84	0.71	0.88	1.00	69.9	4.25	0.71	0.90	1.00	64.4	4.70	0.73	0.92	1.00
	5000	82.3	3.49	0.74	0.91	1.00	77.5	3.85	0.74	0.93	1.00	72.2	4.26	0.76	0.95	1.00	66.6	4.71	0.77	0.98	1.00
67°F	3800	81.9	3.48	0.53	0.65	0.78	77.2	3.85	0.53	0.65	0.79	72.3	4.26	0.52	0.66	0.80	66.8	4.71	0.52	0.66	0.82
	4400	85.2	3.50	0.55	0.68	0.82	80.4	3.86	0.55	0.69	0.84	75.1	4.27	0.54	0.69	0.85	69.6	4.72	0.54	0.70	0.88
	5000	87.8	3.51	0.57	0.71	0.87	82.8	3.88	0.57	0.72	0.89	77.6	4.28	0.57	0.73	0.91	71.8	4.73	0.56	0.74	0.94
71°F	3800	87.7	3.51	0.41	0.52	0.63	83.0	3.87	0.40	0.52	0.63	77.8	4.28	0.38	0.52	0.64	72.3	4.73	0.37	0.51	0.64
	4400	90.7	3.52	0.42	0.54	0.66	85.8	3.89	0.41	0.54	0.66	80.6	4.29	0.40	0.54	0.67	74.8	4.74	0.38	0.53	0.68
	5000	93.6	3.54	0.43	0.56	0.69	88.3	3.90	0.41	0.56	0.70	82.9	4.30	0.41	0.56	0.71	77.0	4.75	0.40	0.56	0.72

## 12.5 TON HIGH EFFICIENCY LGH150H4B (FULL LOAD) - CONSTANT AIR VOLUME

Entering Wet Bulb Temperature	Total Air Volume	Outdoor Air Temperature Entering Outdoor Coil																			
		85°F					95°F					105°F					115°F				
		Total Cool Cap.	Comp. Motor Input	Sensible To Total Ratio (S/T)			Total Cool Cap.	Comp. Motor Input	Sensible To Total Ratio (S/T)			Total Cool Cap.	Comp. Motor Input	Sensible To Total Ratio (S/T)			Total Cool Cap.	Comp. Motor Input	Sensible To Total Ratio (S/T)		
				Dry Bulb					Dry Bulb					Dry Bulb					Dry Bulb		
cfm	kBtuh	kW	75°F	80°F	85°F	kBtuh	kW	75°F	80°F	85°F	kBtuh	kW	75°F	80°F	85°F	kBtuh	kW	75°F	80°F	85°F	
63°F	3800	144.8	9.20	0.69	0.84	0.98	133.8	10.21	0.69	0.86	1.00	122.3	11.34	0.70	0.88	1.00	110.1	12.62	0.72	0.91	1.00
	4400	150.9	9.23	0.73	0.89	1.00	139.2	10.23	0.74	0.91	1.00	127.5	11.37	0.75	0.94	1.00	115.2	12.65	0.77	0.98	1.00
	5000	155.8	9.26	0.76	0.94	1.00	144.0	10.27	0.77	0.97	1.00	132.2	11.40	0.80	0.99	1.00	119.9	12.67	0.82	1.00	1.00
67°F	3800	155.7	9.26	0.53	0.67	0.81	144.2	10.26	0.53	0.68	0.82	132.5	11.39	0.52	0.68	0.84	120.2	12.68	0.51	0.69	0.87
	4400	161.8	9.29	0.56	0.71	0.86	150.1	10.30	0.55	0.72	0.88	137.8	11.43	0.55	0.73	0.90	125.1	12.70	0.55	0.75	0.94
	5000	166.8	9.32	0.58	0.74	0.91	154.8	10.33	0.58	0.75	0.93	142.4	11.47	0.58	0.77	0.96	129.0	12.73	0.58	0.79	0.99
71°F	3800	167.5	9.32	0.39	0.53	0.65	155.7	10.34	0.38	0.52	0.65	143.6	11.47	0.37	0.52	0.66	130.7	12.74	0.35	0.51	0.67
	4400	173.4	9.36	0.41	0.55	0.69	161.3	10.36	0.40	0.55	0.70	148.8	11.51	0.38	0.54	0.70	135.3	12.77	0.37	0.54	0.72
	5000	178.3	9.39	0.42	0.57	0.72	165.7	10.39	0.41	0.57	0.73	152.9	11.52	0.40	0.57	0.75	139.2	12.79	0.38	0.58	0.77

# RATINGS

NOTE – For Temperatures and Capacities not shown in tables, see bulletin – Cooling Unit Rating Table Correction Factor Data in Miscellaneous Engineering Data section.

## 7.5 TON HIGH EFFICIENCY LGH092H4M (PART LOAD) - MSAV® MULTI-STAGE AIR VOLUME

Entering Wet Bulb Temperature	Total Air Volume	Outdoor Air Temperature Entering Outdoor Coil																			
		65°F					75°F					85°F					95°F				
		Total Cool Cap.	Comp. Motor Input	Sensible To Total Ratio (S/T)			Total Cool Cap.	Comp. Motor Input	Sensible To Total Ratio (S/T)			Total Cool Cap.	Comp. Motor Input	Sensible To Total Ratio (S/T)			Total Cool Cap.	Comp. Motor Input	Sensible To Total Ratio (S/T)		
				Dry Bulb					Dry Bulb					Dry Bulb					Dry Bulb		
cfm	kBtuh	kW	75°F	80°F	85°F	kBtuh	kW	75°F	80°F	85°F	kBtuh	kW	75°F	80°F	85°F	kBtuh	kW	75°F	80°F	85°F	
63°F	1680	43.9	1.94	0.59	0.69	0.81	42.4	2.20	0.60	0.70	0.82	40.9	2.48	0.60	0.71	0.84	39.2	2.81	0.61	0.73	0.86
	2100	46.9	1.95	0.61	0.74	0.88	45.2	2.20	0.62	0.76	0.90	43.5	2.49	0.63	0.78	0.93	41.6	2.81	0.64	0.80	0.95
	2520	49.2	1.96	0.65	0.8	0.96	47.3	2.21	0.66	0.81	0.98	45.4	2.49	0.67	0.84	1.00	43.4	2.82	0.69	0.87	1.00
67°F	1680	46.6	1.95	0.48	0.56	0.65	45.2	2.20	0.48	0.57	0.66	43.5	2.49	0.48	0.58	0.68	41.7	2.81	0.49	0.58	0.69
	2100	49.6	1.96	0.49	0.59	0.70	47.8	2.21	0.50	0.59	0.72	46.0	2.49	0.50	0.60	0.73	44.0	2.81	0.51	0.61	0.75
	2520	51.9	1.96	0.51	0.62	0.76	50.1	2.22	0.52	0.63	0.77	48.1	2.50	0.52	0.64	0.79	45.9	2.82	0.53	0.66	0.82
71°F	1680	49.4	1.96	0.38	0.46	0.54	47.8	2.21	0.38	0.47	0.55	46.1	2.50	0.39	0.47	0.55	44.2	2.82	0.38	0.47	0.56
	2100	52.5	1.97	0.38	0.48	0.57	50.7	2.22	0.39	0.48	0.57	48.8	2.50	0.39	0.49	0.58	46.7	2.82	0.39	0.49	0.59
	2520	54.6	1.97	0.39	0.49	0.59	52.7	2.23	0.39	0.50	0.60	50.6	2.51	0.40	0.50	0.62	48.4	2.82	0.40	0.51	0.63

## 7.5 TON HIGH EFFICIENCY LGH092H4M (FULL LOAD) - MSAV® MULTI-STAGE AIR VOLUME

Entering Wet Bulb Temperature	Total Air Volume	Outdoor Air Temperature Entering Outdoor Coil																			
		85°F					95°F					105°F					115°F				
		Total Cool Cap.	Comp. Motor Input	Sensible To Total Ratio (S/T)			Total Cool Cap.	Comp. Motor Input	Sensible To Total Ratio (S/T)			Total Cool Cap.	Comp. Motor Input	Sensible To Total Ratio (S/T)			Total Cool Cap.	Comp. Motor Input	Sensible To Total Ratio (S/T)		
				Dry Bulb					Dry Bulb					Dry Bulb					Dry Bulb		
cfm	kBtuh	kW	75°F	80°F	85°F	kBtuh	kW	75°F	80°F	85°F	kBtuh	kW	75°F	80°F	85°F	kBtuh	kW	75°F	80°F	85°F	
63°F	2400	87.9	5.19	.69	.83	.98	84.0	5.86	.70	.85	1.00	79.8	6.64	.72	.88	1.00	75.2	7.55	.74	.92	1.00
	3000	92.3	5.20	.74	.92	1.00	88.0	5.87	.76	.95	1.00	83.5	6.64	.78	.98	1.00	78.7	7.54	.81	1.00	1.00
	3600	95.6	5.21	.79	1.00	1.00	91.4	5.87	.82	1.00	1.00	87.3	6.64	.85	1.00	1.00	82.9	7.55	.88	1.00	1.00
67°F	2400	93.0	5.20	.55	.66	.79	89.0	5.87	.55	.68	.81	84.5	6.64	.56	.69	.84	79.5	7.54	.58	.71	.87
	3000	97.3	5.21	.58	.71	.88	93.0	5.88	.59	.73	.91	88.2	6.65	.60	.76	.94	82.8	7.54	.61	.78	.98
	3600	100.6	5.22	.61	.77	.97	95.7	5.88	.62	.79	.99	90.8	6.65	.63	.82	1.00	85.2	7.54	.64	.86	1.00
71°F	2400	98.2	5.21	.42	.53	.64	93.8	5.88	.42	.54	.65	89.0	6.65	.42	.54	.67	84.2	7.54	.43	.56	.69
	3000	102.5	5.23	.43	.56	.69	97.9	5.89	.43	.58	.71	92.9	6.65	.44	.59	.73	87.5	7.54	.44	.60	.76
	3600	105.9	5.24	.44	.60	.75	100.8	5.89	.45	.61	.77	95.4	6.65	.45	.62	.79	89.9	7.54	.46	.64	.84

## 8.5 TON HIGH EFFICIENCY LGH102H4M (PART LOAD) - MSAV® MULTI-STAGE AIR VOLUME

Entering Wet Bulb Temperature	Total Air Volume	Outdoor Air Temperature Entering Outdoor Coil																			
		65°F					75°F					85°F					95°F				
		Total Cool Cap.	Comp. Motor Input	Sensible To Total Ratio (S/T)			Total Cool Cap.	Comp. Motor Input	Sensible To Total Ratio (S/T)			Total Cool Cap.	Comp. Motor Input	Sensible To Total Ratio (S/T)			Total Cool Cap.	Comp. Motor Input	Sensible To Total Ratio (S/T)		
				Dry Bulb					Dry Bulb					Dry Bulb					Dry Bulb		
cfm	kBtuh	kW	75°F	80°F	85°F	kBtuh	kW	75°F	80°F	85°F	kBtuh	kW	75°F	80°F	85°F	kBtuh	kW	75°F	80°F	85°F	
63°F	1920	49.5	2.12	0.61	0.72	0.84	47.8	2.4	0.63	0.73	0.86	46.1	2.71	0.63	0.75	0.87	44.2	3.07	0.63	0.76	0.9
	2400	52.6	2.13	0.64	0.78	0.92	50.8	2.41	0.65	0.79	0.94	48.8	2.72	0.66	0.81	0.96	46.6	3.08	0.68	0.83	0.98
	2880	54.8	2.14	0.68	0.83	0.99	52.9	2.42	0.69	0.85	1	50.8	2.73	0.71	0.87	1	48.4	3.08	0.72	0.9	1
67°F	1920	52.3	2.13	0.5	0.59	0.69	50.7	2.41	0.51	0.6	0.7	48.8	2.72	0.51	0.6	0.71	46.9	3.08	0.51	0.61	0.72
	2400	55.4	2.14	0.52	0.62	0.73	53.6	2.42	0.52	0.63	0.75	51.5	2.73	0.52	0.64	0.77	49.3	3.08	0.53	0.65	0.79
	2880	57.8	2.15	0.53	0.65	0.79	55.8	2.43	0.53	0.66	0.81	53.6	2.73	0.54	0.68	0.83	51.2	3.09	0.56	0.7	0.87
71°F	1920	55.5	2.14	0.4	0.48	0.57	53.7	2.42	0.4	0.49	0.57	51.7	2.73	0.39	0.49	0.58	49.5	3.09	0.4	0.49	0.59
	2400	58.6	2.15	0.4	0.5	0.6	56.5	2.43	0.4	0.51	0.6	54.4	2.74	0.41	0.51	0.61	52	3.09	0.4	0.52	0.62
	2880	60.9	2.16	0.41	0.52	0.63	58.6	2.43	0.41	0.52	0.64	56.3	2.74	0.41	0.53	0.65	53.9	3.09	0.41	0.54	0.67

## 8.5 TON HIGH EFFICIENCY LGH102H4M (FULL LOAD) - MSAV® MULTI-STAGE AIR VOLUME

Entering Wet Bulb Temperature	Total Air Volume	Outdoor Air Temperature Entering Outdoor Coil																			
		85°F					95°F					105°F					115°F				
		Total Cool Cap.	Comp. Motor Input	Sensible To Total Ratio (S/T)			Total Cool Cap.	Comp. Motor Input	Sensible To Total Ratio (S/T)			Total Cool Cap.	Comp. Motor Input	Sensible To Total Ratio (S/T)			Total Cool Cap.	Comp. Motor Input	Sensible To Total Ratio (S/T)		
				Dry Bulb					Dry Bulb					Dry Bulb					Dry Bulb		
cfm	kBtuh	kW	75°F	80°F	85°F	kBtuh	kW	75°F	80°F	85°F	kBtuh	kW	75°F	80°F	85°F	kBtuh	kW	75°F	80°F	85°F	
63°F	2720	98.8	5.54	.70	.85	1.00	94.4	6.27	.72	.88	1.00	89.7	7.10	.73	.91	1.00	84.7	8.09	.76	.95	1.00
	3400	103.3	5.56	.76	.95	1.00	98.6	6.27	.78	.98	1.00	93.5	7.11	.80	1.00	1.00	88.7	8.08	.83	1.00	1.00
	4080	106.9	5.56	.82	1.00	1.00	102.6	6.28	.84	1.00	1.00	98.2	7.12	.88	1.00	1.00	93.1	8.08	.91	1.00	1.00
67°F	2720	104.3	5.56	.55	.68	.81	99.6	6.28	.56	.69	.84	94.7	7.11	.57	.71	.87	89.3	8.08	.59	.73	.91
	3400	108.8	5.57	.59	.74	.91	103.8	6.29	.60	.76	.94	98.5	7.12	.61	.78	.97	92.7	8.08	.62	.81	1.00
	4080	112.0	5.58	.62	.80	.99	106.6	6.30	.63	.82	1.00	101.2	7.12	.65	.85	1.00	95.2	8.08	.66	.89	1.00
71°F	2720	109.6	5.57	.42	.54	.66	104.7	6.29	.43	.55	.67	99.7	7.12	.43	.56	.69	94.1	8.08	.43	.58	.71
	3400	114.3	5.59	.43	.58	.72	109.2	6.30	.44	.59	.74	103.6	7.12	.45	.60	.76	97.4	8.08	.45	.61	.78
	4080	117.8	5.60	.45	.61	.77	112.2	6.31	.45	.62	.80	106.4	7.13	.46	.64	.83	100.0	8.08	.47	.66	.86

# RATINGS

NOTE – For Temperatures and Capacities not shown in tables, see bulletin – Cooling Unit Rating Table Correction Factor Data in Miscellaneous Engineering Data section.

## 10 TON HIGH EFFICIENCY LGH120H4M (PART LOAD) - MSAV® MULTI-STAGE AIR VOLUME

Entering Wet Bulb Temperature	Total Air Volume	Outdoor Air Temperature Entering Outdoor Coil																			
		65°F					75°F					85°F					95°F				
		Total Cool Cap.	Comp. Motor Input	Sensible To Total Ratio (S/T)			Total Cool Cap.	Comp. Motor Input	Sensible To Total Ratio (S/T)			Total Cool Cap.	Comp. Motor Input	Sensible To Total Ratio (S/T)			Total Cool Cap.	Comp. Motor Input	Sensible To Total Ratio (S/T)		
				Dry Bulb					Dry Bulb					Dry Bulb					Dry Bulb		
cfm	kBtuh	kW	75°F	80°F	85°F	kBtuh	kW	75°F	80°F	85°F	kBtuh	kW	75°F	80°F	85°F	kBtuh	kW	75°F	80°F	85°F	
63°F	2240	59	2.61	0.68	0.77	0.87	57	2.96	0.68	0.78	0.88	54.9	3.34	0.69	0.8	0.89	52.6	3.78	0.7	0.81	0.91
	2800	62.9	2.64	0.71	0.82	0.92	60.6	2.99	0.72	0.83	0.94	58.2	3.38	0.72	0.84	0.96	55.6	3.82	0.74	0.86	0.98
	3360	65.7	2.67	0.74	0.86	0.98	63.3	3.02	0.75	0.87	0.99	60.6	3.41	0.76	0.89	1	58	3.85	0.77	0.91	1
67°F	2240	62.5	2.64	0.55	0.65	0.74	60.5	2.99	0.56	0.65	0.75	58.2	3.38	0.56	0.67	0.76	55.8	3.82	0.56	0.67	0.77
	2800	66.2	2.67	0.57	0.68	0.79	64	3.03	0.57	0.69	0.8	61.4	3.42	0.58	0.7	0.81	58.9	3.86	0.58	0.71	0.83
	3360	69.3	2.7	0.58	0.71	0.83	66.8	3.06	0.59	0.72	0.84	64	3.45	0.6	0.73	0.86	61.1	3.88	0.6	0.75	0.88
71°F	2240	66.3	2.67	0.44	0.53	0.62	64	3.03	0.44	0.54	0.63	61.6	3.42	0.44	0.54	0.64	59.1	3.86	0.44	0.55	0.65
	2800	70.2	2.71	0.44	0.55	0.65	67.8	3.07	0.44	0.56	0.67	65.1	3.46	0.45	0.56	0.67	62.2	3.9	0.45	0.57	0.68
	3360	73.1	2.74	0.45	0.57	0.69	70.3	3.1	0.45	0.58	0.7	67.6	3.49	0.45	0.59	0.71	64.5	3.93	0.45	0.59	0.72

## 10 TON HIGH EFFICIENCY LGH120H4M (FULL LOAD) - MSAV® MULTI-STAGE AIR VOLUME

Entering Wet Bulb Temperature	Total Air Volume	Outdoor Air Temperature Entering Outdoor Coil																			
		85°F					95°F					105°F					115°F				
		Total Cool Cap.	Comp. Motor Input	Sensible To Total Ratio (S/T)			Total Cool Cap.	Comp. Motor Input	Sensible To Total Ratio (S/T)			Total Cool Cap.	Comp. Motor Input	Sensible To Total Ratio (S/T)			Total Cool Cap.	Comp. Motor Input	Sensible To Total Ratio (S/T)		
				Dry Bulb					Dry Bulb					Dry Bulb					Dry Bulb		
cfm	kBtuh	kW	75°F	80°F	85°F	kBtuh	kW	75°F	80°F	85°F	kBtuh	kW	75°F	80°F	85°F	kBtuh	kW	75°F	80°F	85°F	
63°F	3200	118.3	7.09	.67	.83	1.00	113.1	8.00	.68	.86	1.00	107.4	9.04	.70	.89	1.00	101.4	10.23	.72	.93	1.00
	4000	123.7	7.16	.72	.94	1.00	118.2	8.07	.75	.97	1.00	112.2	9.11	.78	1.00	1.00	106.1	10.29	.81	1.00	1.00
	4800	127.9	7.21	.79	1.00	1.00	122.7	8.13	.82	1.00	1.00	116.9	9.17	.85	1.00	1.00	111.3	10.37	.90	1.00	1.00
67°F	3200	124.8	7.17	.53	.65	.79	119.2	8.08	.54	.66	.81	113.4	9.12	.54	.68	.84	106.8	10.30	.56	.70	.89
	4000	130.2	7.24	.56	.70	.90	124.4	8.16	.57	.72	.93	118.1	9.19	.58	.75	.97	111.1	10.36	.60	.78	1.00
	4800	134.2	7.29	.59	.77	.99	127.9	8.21	.61	.80	1.00	121.0	9.23	.62	.82	1.00	114.1	10.40	.64	.87	1.00
71°F	3200	131.6	7.26	.40	.52	.63	125.7	8.17	.41	.52	.64	119.6	9.21	.41	.53	.66	112.8	10.38	.41	.55	.68
	4000	136.6	7.33	.42	.55	.68	130.6	8.24	.42	.56	.70	123.7	9.27	.43	.58	.72	116.7	10.45	.43	.59	.75
	4800	140.5	7.38	.43	.58	.74	134.1	8.29	.44	.60	.77	127.3	9.32	.44	.62	.80	119.5	10.49	.45	.63	.84

## 12.5 TON HIGH EFFICIENCY LGH150H4M (PART LOAD) - MSAV® MULTI-STAGE AIR VOLUME

Entering Wet Bulb Temperature	Total Air Volume	Outdoor Air Temperature Entering Outdoor Coil																			
		65°F					75°F					85°F					95°F				
		Total Cool Cap.	Comp. Motor Input	Sensible To Total Ratio (S/T)			Total Cool Cap.	Comp. Motor Input	Sensible To Total Ratio (S/T)			Total Cool Cap.	Comp. Motor Input	Sensible To Total Ratio (S/T)			Total Cool Cap.	Comp. Motor Input	Sensible To Total Ratio (S/T)		
				Dry Bulb					Dry Bulb					Dry Bulb					Dry Bulb		
cfm	kBtuh	kW	75°F	80°F	85°F	kBtuh	kW	75°F	80°F	85°F	kBtuh	kW	75°F	80°F	85°F	kBtuh	kW	75°F	80°F	85°F	
63°F	2560	68.8	3.41	0.64	0.74	0.84	64.5	3.80	0.63	0.74	0.85	60.0	4.21	0.62	0.74	0.86	55.3	4.66	0.62	0.75	0.88
	3200	74.6	3.44	0.67	0.79	0.91	70.1	3.82	0.67	0.80	0.92	65.2	4.22	0.67	0.80	0.94	60.3	4.68	0.67	0.82	0.96
	3480	76.6	3.45	0.69	0.81	0.93	72.0	3.82	0.69	0.82	0.95	67.2	4.23	0.69	0.83	0.97	61.9	4.68	0.69	0.84	0.99
67°F	2560	74.2	3.44	0.51	0.62	0.71	69.9	3.82	0.50	0.61	0.71	65.4	4.23	0.49	0.60	0.71	60.6	4.69	0.48	0.60	0.72
	3200	80.0	3.46	0.54	0.65	0.76	75.3	3.84	0.53	0.64	0.76	70.6	4.25	0.52	0.65	0.77	65.3	4.70	0.51	0.65	0.78
	3480	82.1	3.47	0.55	0.67	0.78	77.5	3.84	0.54	0.66	0.78	72.5	4.25	0.53	0.66	0.80	67.1	4.70	0.52	0.67	0.81
71°F	2560	79.9	3.46	0.41	0.50	0.59	75.6	3.84	0.39	0.49	0.58	70.8	4.24	0.37	0.48	0.58	65.9	4.70	0.35	0.47	0.58
	3200	86.0	3.49	0.42	0.52	0.63	81.4	3.86	0.40	0.52	0.62	76.5	4.27	0.39	0.51	0.63	71.1	4.72	0.37	0.50	0.62
	3480	88.2	3.50	0.42	0.53	0.64	83.4	3.87	0.41	0.53	0.64	78.3	4.27	0.40	0.52	0.64	72.9	4.73	0.38	0.52	0.64

## 12.5 TON HIGH EFFICIENCY LGH150H4M (FULL LOAD) - MSAV® MULTI-STAGE AIR VOLUME

Entering Wet Bulb Temperature	Total Air Volume	Outdoor Air Temperature Entering Outdoor Coil																			
		85°F					95°F					105°F					115°F				
		Total Cool Cap.	Comp. Motor Input	Sensible To Total Ratio (S/T)			Total Cool Cap.	Comp. Motor Input	Sensible To Total Ratio (S/T)			Total Cool Cap.	Comp. Motor Input	Sensible To Total Ratio (S/T)			Total Cool Cap.	Comp. Motor Input	Sensible To Total Ratio (S/T)		
				Dry Bulb					Dry Bulb					Dry Bulb					Dry Bulb		
cfm	kBtuh	kW	75°F	80°F	85°F	kBtuh	kW	75°F	80°F	85°F	kBtuh	kW	75°F	80°F	85°F	kBtuh	kW	75°F	80°F	85°F	
63°F	3800	144.8	9.20	0.69	0.84	0.98	133.8	10.21	0.69	0.86	1.00	122.3	11.34	0.70	0.88	1.00	110.1	12.62	0.72	0.91	1.00
	4400	150.9	9.23	0.73	0.89	1.00	139.2	10.23	0.74	0.91	1.00	127.5	11.37	0.75	0.94	1.00	115.2	12.65	0.77	0.98	1.00
	5000	155.8	9.26	0.76	0.94	1.00	144.0	10.27	0.77	0.97	1.00	132.2	11.40	0.80	0.99	1.00	119.9	12.67	0.82	1.00	1.00
67°F	3800	155.7	9.26	0.53	0.67	0.81	144.2	10.26	0.53	0.68	0.82	132.5	11.39	0.52	0.68	0.84	120.2	12.68	0.51	0.69	0.87
	4400	161.8	9.29	0.56	0.71	0.86	150.1	10.30	0.55	0.72	0.88	137.8	11.43	0.55	0.73	0.90	125.1	12.70	0.55	0.75	0.94
	5000	166.8	9.32	0.58	0.74	0.91	154.8	10.33	0.58	0.75	0.93	142.4	11.47	0.58	0.77	0.96	129.0	12.73	0.58	0.79	0.99
71°F	3800	167.5	9.32	0.39	0.53	0.65	155.7	10.34	0.38	0.52	0.65	143.6	11.47	0.37	0.52	0.66	130.7	12.74	0.35	0.51	0.67
	4400	173.4	9.36	0.41	0.55	0.69	161.3	10.36	0.40	0.55	0.70	148.8	11.51	0.38	0.54	0.70	135.3	12.77	0.37	0.54	0.72
	5000	178.3	9.39	0.42	0.57	0.72	165.7	10.39	0.41	0.57	0.73	152.9	11.52	0.40	0.57	0.75	139.2	12.79	0.38	0.58	0.77

# HUMIDITROL® DEHUMIDIFICATION SYSTEM RATINGS

## 7.5 TON HIGH EFFICIENCY LGH092H4 WITH HUMIDITROL® OPERATING (PART LOAD)

Entering Wet Bulb Temperature	Total Air Volume	Outdoor Air Temperature Entering Outdoor Coil																			
		65°F					75°F					85°F					95°F				
		Total Cool Cap.	Comp. Motor Input	Sensible To Total Ratio (S/T)			Total Cool Cap.	Comp. Motor Input	Sensible To Total Ratio (S/T)			Total Cool Cap.	Comp. Motor Input	Sensible To Total Ratio (S/T)			Total Cool Cap.	Comp. Motor Input	Sensible To Total Ratio (S/T)		
				Dry Bulb					Dry Bulb					Dry Bulb					Dry Bulb		
cfm	kBtuh	kW	75°F	80°F	85°F	kBtuh	kW	75°F	80°F	85°F	kBtuh	kW	75°F	80°F	85°F	kBtuh	kW	75°F	80°F	85°F	
63°F	2400	26.1	1.9	0.47	0.63	0.81	22.1	2.2	0.33	0.55	0.79	18.0	2.4	0.21	0.47	0.80	12.0	2.6	0.09	0.4	0.8
	3000	30.8	1.9	0.50	0.69	0.89	26.0	2.2	0.36	0.59	0.82	20.6	2.4	0.22	0.48	0.81	10.3	2.6	0.09	0.37	0.79
	3600	35.5	1.9	0.54	0.76	0.98	29.9	2.2	0.39	0.63	0.86	20.7	2.4	0.24	0.55	0.81	8.5	2.6	0.09	0.46	0.76
67°F	2400	33.8	2.0	0.35	0.48	0.64	29.1	2.2	0.20	0.39	0.58	24.3	2.4	0.07	0.30	0.54	17.4	2.7	-0.05	0.21	0.50
	3000	38.0	2.0	0.36	0.52	0.70	32.8	2.2	0.20	0.41	0.62	26.8	2.4	0.07	0.30	0.56	16.8	2.7	-0.08	0.19	0.50
	3600	42.1	2.0	0.37	0.56	0.75	36.5	2.2	0.21	0.53	0.66	27.8	2.4	0.06	0.53	0.56	16.3	2.7	-0.10	0.52	0.47
71°F	2400	41.6	2.0	0.22	0.34	0.47	37.0	2.2	0.07	0.23	0.39	30.5	2.5	-0.06	0.12	0.31	22.9	2.7	-0.19	0.02	0.23
	3000	45.1	2.0	0.22	0.35	0.50	39.6	2.2	0.05	0.24	0.42	32.9	2.5	-0.10	0.12	0.35	23.3	2.7	-0.24	0.01	0.27
	3600	48.7	2.0	0.21	0.37	0.53	43.1	2.2	0.03	0.25	0.46	34.6	2.5	-0.13	0.13	0.39	23.7	2.7	-0.30	0.01	0.31

## 7.5 TON HIGH EFFICIENCY LGH092H4 WITH HUMIDITROL® OPERATING (FULL LOAD)

Entering Wet Bulb Temperature	Total Air Volume	Outdoor Air Temperature Entering Outdoor Coil																			
		65°F					75°F					85°F					95°F				
		Total Cool Cap.	Comp. Motor Input	Sensible To Total Ratio (S/T)			Total Cool Cap.	Comp. Motor Input	Sensible To Total Ratio (S/T)			Total Cool Cap.	Comp. Motor Input	Sensible To Total Ratio (S/T)			Total Cool Cap.	Comp. Motor Input	Sensible To Total Ratio (S/T)		
				Dry Bulb					Dry Bulb					Dry Bulb					Dry Bulb		
cfm	kBtuh	kW	75°F	80°F	85°F	kBtuh	kW	75°F	80°F	85°F	kBtuh	kW	75°F	80°F	85°F	kBtuh	kW	75°F	80°F	85°F	
63°F	2400	75.3	4.0	0.63	0.76	0.89	68.2	4.5	0.62	0.78	0.92	61.2	5.0	0.61	0.80	0.96	54.1	5.5	0.60	0.82	1.00
	3000	78.8	4.0	0.68	0.81	0.94	71.2	4.5	0.68	0.82	0.96	63.5	5.0	0.67	0.82	0.98	55.9	5.5	0.67	0.83	1.00
	3600	82.3	4.0	0.73	0.90	1.00	74.1	4.5	0.73	0.90	1.00	65.9	5.0	0.73	0.92	1.00	57.7	5.5	0.74	0.96	1.00
67°F	2400	84.0	4.0	0.48	0.61	0.73	78.0	4.5	0.46	0.60	0.74	72.0	5.0	0.43	0.60	0.76	65.5	5.6	0.41	0.60	0.77
	3000	88.6	4.0	0.51	0.65	0.79	81.7	4.5	0.49	0.64	0.80	74.8	5.1	0.47	0.64	0.80	66.9	5.6	0.45	0.63	0.81
	3600	93.3	4.1	0.53	0.71	0.84	85.4	4.6	0.52	0.69	0.84	77.6	5.1	0.50	0.68	0.84	68.3	5.6	0.49	0.68	0.84
71°F	2400	92.7	4.1	0.33	0.45	0.58	87.8	4.6	0.29	0.43	0.57	82.9	5.1	0.25	0.40	0.55	75.5	5.6	0.22	0.38	0.54
	3000	98.5	4.1	0.34	0.48	0.63	92.3	4.6	0.30	0.46	0.62	86.2	5.1	0.26	0.44	0.62	76.9	5.6	0.22	0.42	0.61
	3600	104.2	4.1	0.34	0.51	0.68	96.8	4.6	0.30	0.49	0.68	89.4	5.1	0.27	0.48	0.68	78.3	5.6	0.23	0.46	0.68

## 8.5 TON HIGH EFFICIENCY LGH102H4 WITH HUMIDITROL® OPERATING (PART LOAD)

Entering Wet Bulb Temperature	Total Air Volume	Outdoor Air Temperature Entering Outdoor Coil																			
		65°F					75°F					85°F					95°F				
		Total Cool Cap.	Comp. Motor Input	Sensible To Total Ratio (S/T)			Total Cool Cap.	Comp. Motor Input	Sensible To Total Ratio (S/T)			Total Cool Cap.	Comp. Motor Input	Sensible To Total Ratio (S/T)			Total Cool Cap.	Comp. Motor Input	Sensible To Total Ratio (S/T)		
				Dry Bulb					Dry Bulb					Dry Bulb					Dry Bulb		
cfm	kBtuh	kW	75°F	80°F	85°F	kBtuh	kW	75°F	80°F	85°F	kBtuh	kW	75°F	80°F	85°F	kBtuh	kW	75°F	80°F	85°F	
63°F	2720	34.2	2.1	0.49	0.66	0.83	27.4	2.3	0.34	0.58	0.89	18.4	2.6	0.22	0.49	0.94	9.3	2.9	0.09	0.41	1.00
	3400	39.1	2.1	0.53	0.71	0.89	29.2	2.3	0.37	0.60	0.92	19.0	2.6	0.24	0.53	0.96	8.8	2.8	0.12	0.48	1.00
	4080	42.4	2.1	0.56	0.75	0.94	31.0	2.3	0.39	0.69	0.96	19.6	2.6	0.26	0.63	0.98	8.2	2.8	0.14	0.57	1.00
67°F	2720	42.5	2.1	0.33	0.50	0.66	35.0	2.4	0.19	0.37	0.63	25.4	2.6	0.06	0.27	0.59	15.8	2.9	-0.07	0.19	0.56
	3400	47.0	2.1	0.45	0.57	0.70	37.6	2.4	0.20	0.41	0.66	26.7	2.6	0.06	0.32	0.62	15.9	2.9	-0.07	0.24	0.59
	4080	51.5	2.2	0.56	0.65	0.73	40.3	2.4	0.24	0.49	0.69	28.1	2.6	0.06	0.37	0.67	16.0	2.9	-0.08	0.29	0.65
71°F	2720	50.7	2.1	0.18	0.33	0.49	42.6	2.4	0.05	0.20	0.37	32.4	2.7	-0.09	0.10	0.29	22.2	2.9	-0.23	-0.01	0.21
	3400	54.9	2.2	0.37	0.44	0.51	46.1	2.4	0.06	0.23	0.40	34.5	2.7	-0.11	0.11	0.32	23.0	2.9	-0.26	0.00	0.25
	4080	59.0	2.2	0.56	0.54	0.52	49.5	2.4	0.17	0.30	0.43	36.6	2.7	-0.14	0.11	0.37	23.7	2.9	-0.29	0.00	0.30

## 8.5 TON HIGH EFFICIENCY LGH102H4 WITH HUMIDITROL® OPERATING (FULL LOAD)

Entering Wet Bulb Temperature	Total Air Volume	Outdoor Air Temperature Entering Outdoor Coil																			
		65°F					75°F					85°F					95°F				
		Total Cool Cap.	Comp. Motor Input	Sensible To Total Ratio (S/T)			Total Cool Cap.	Comp. Motor Input	Sensible To Total Ratio (S/T)			Total Cool Cap.	Comp. Motor Input	Sensible To Total Ratio (S/T)			Total Cool Cap.	Comp. Motor Input	Sensible To Total Ratio (S/T)		
				Dry Bulb					Dry Bulb					Dry Bulb					Dry Bulb		
cfm	kBtuh	kW	75°F	80°F	85°F	kBtuh	kW	75°F	80°F	85°F	kBtuh	kW	75°F	80°F	85°F	kBtuh	kW	75°F	80°F	85°F	
63°F	2720	85.3	4.3	0.64	0.81	0.98	77.9	4.9	0.63	0.83	0.99	69.3	5.4	0.61	0.84	0.99	57.8	6.0	0.60	0.86	1.00
	3400	89.2	4.4	0.70	0.84	0.99	81.7	4.9	0.69	0.84	0.99	72.0	5.5	0.69	0.84	1.00	58.9	6.0	0.68	0.84	1.00
	4080	93.1	4.4	0.75	0.87	1.00	85.5	4.9	0.75	0.88	1.00	74.6	5.5	0.76	0.91	1.00	59.9	6.0	0.76	0.95	1.00
67°F	2720	100.8	4.4	0.48	0.63	0.78	90.0	4.9	0.45	0.63	0.78	78.8	5.5	0.42	0.62	0.78	67.6	6.1	0.40	0.62	0.78
	3400	104.5	4.4	0.51	0.66	0.81	94.6	5.0	0.49	0.65	0.81	82.1	5.5	0.46	0.64	0.81	69.7	6.1	0.44	0.62	0.81
	4080	108.2	4.5	0.55	0.69	0.84	99.1	5.0	0.52	0.68	0.84	85.5	5.6	0.50	0.68	0.84	71.8	6.1	0.48	0.67	0.84
71°F	2720	110.1	4.4	0.32	0.45	0.58	99.2	5.0	0.28	0.42	0.57	88.3	5.6	0.23	0.40	0.56	77.4	6.2	0.19	0.37	0.55
	3400	115.8	4.5	0.33	0.48	0.63	104.1	5.0	0.29	0.46	0.63	92.3	5.6	0.24	0.43	0.62	80.6	6.2	0.20	0.41	0.62
	4080	121.5	4.5	0.34	0.51	0.68	108.9	5.1	0.29	0.49	0.68	96.3	5.6	0.25	0.46	0.68	83.7	6.2	0.20	0.44	0.68

# HUMIDITROL® DEHUMIDIFICATION SYSTEM RATINGS

## 10 TON HIGH EFFICIENCY LGH120H4 WITH HUMIDITROL® OPERATING (PART LOAD)

Entering Wet Bulb Temperature	Total Air Volume	Outdoor Air Temperature Entering Outdoor Coil																							
		65°F						75°F						85°F						95°F					
		Total Cool Cap.	Comp. Motor Input	Sensible To Total Ratio (S/T)			Total Cool Cap.	Comp. Motor Input	Sensible To Total Ratio (S/T)			Total Cool Cap.	Comp. Motor Input	Sensible To Total Ratio (S/T)			Total Cool Cap.	Comp. Motor Input	Sensible To Total Ratio (S/T)						
				Dry Bulb					Dry Bulb					Dry Bulb					Dry Bulb						
cfm	kBtuh	kW	75°F	80°F	85°F	kBtuh	kW	75°F	80°F	85°F	kBtuh	kW	75°F	80°F	85°F	kBtuh	kW	75°F	80°F	85°F					
63°F	3200	49.5	2.6	.48	.70	.92	42.3	2.9	.39	.66	.94	35.1	3.2	.22	.60	.98	27.9	3.5	.01	.46	1.00				
	4000	59.0	2.6	.56	.82	1.00	49.1	2.9	.45	.81	1.00	39.1	3.2	.31	.80	.93	29.2	3.5	-.01	.77	.97				
	4800	68.6	2.6	.62	.92	1.00	55.9	2.9	.56	.96	1.00	43.2	3.2	.41	1.00	1.00	30.5	3.5	-.02	.97	.80				
67°F	3200	61.2	2.7	.30	.49	.66	52.4	3.0	.20	.41	.64	43.5	3.3	.01	.30	.59	34.7	3.6	-.06	.08	.50				
	4000	68.2	2.7	.34	.55	.77	57.7	3.0	.23	.49	.75	47.1	3.3	.05	.38	.75	36.5	3.6	-.12	.15	.72				
	4800	75.2	2.7	.37	.62	.87	62.9	3.0	.26	.57	.89	50.7	3.3	.06	.50	.92	38.4	3.6	-.18	.28	.98				
71°F	3200	73.0	2.7	.17	.32	.48	62.5	3.0	.06	.24	.42	52.0	3.3	-.12	.11	.34	41.5	3.6	-.13	.03	.19				
	4000	77.4	2.7	.17	.35	.54	66.2	3.0	.05	.28	.50	55.1	3.3	-.14	.15	.42	43.9	3.6	-.23	-.04	.28				
	4800	81.9	2.8	.19	.39	.61	70.0	3.1	.06	.31	.57	58.1	3.4	-.16	.18	.51	46.3	3.7	-.34	-.09	.40				

## 10 TON HIGH EFFICIENCY LGH120H4 WITH HUMIDITROL® OPERATING (FULL LOAD)

Entering Wet Bulb Temperature	Total Air Volume	Outdoor Air Temperature Entering Outdoor Coil																							
		65°F						75°F						85°F						95°F					
		Total Cool Cap.	Comp. Motor Input	Sensible To Total Ratio (S/T)			Total Cool Cap.	Comp. Motor Input	Sensible To Total Ratio (S/T)			Total Cool Cap.	Comp. Motor Input	Sensible To Total Ratio (S/T)			Total Cool Cap.	Comp. Motor Input	Sensible To Total Ratio (S/T)						
				Dry Bulb					Dry Bulb					Dry Bulb					Dry Bulb						
cfm	kBtuh	kW	75°F	80°F	85°F	kBtuh	kW	75°F	80°F	85°F	kBtuh	kW	75°F	80°F	85°F	kBtuh	kW	75°F	80°F	85°F					
63°F	3200	104.7	5.4	.61	.73	.86	95.0	6.1	.58	.75	.91	85.3	6.8	.56	.76	.95	75.5	7.5	.53	.77	1.00				
	4000	114.8	5.5	.63	.78	.93	103.4	6.2	.62	.78	.95	91.9	6.8	.60	.79	.98	80.5	7.5	.59	.79	1.00				
	4800	125.0	5.5	.65	.82	.99	111.8	6.2	.65	.82	1.00	98.6	6.9	.65	.82	1.00	85.4	7.5	.64	.82	1.00				
67°F	3200	118.9	5.5	.45	.57	.69	108.5	6.2	.42	.57	.71	98.1	6.9	.39	.56	.73	87.7	7.6	.36	.56	.74				
	4000	128.7	5.6	.47	.60	.74	117.3	6.3	.44	.59	.75	105.9	6.9	.42	.59	.75	94.5	7.6	.39	.58	.76				
	4800	138.4	5.6	.48	.64	.79	126.1	6.3	.46	.62	.79	113.8	7.0	.44	.61	.78	101.4	7.6	.42	.60	.78				
71°F	3200	133.1	5.6	.29	.41	.53	122.0	6.3	.26	.39	.51	110.9	7.0	.23	.36	.50	99.8	7.7	.20	.34	.49				
	4000	142.5	5.7	.30	.43	.56	131.2	6.4	.27	.41	.55	119.9	7.1	.23	.38	.53	108.6	7.7	.19	.36	.52				
	4800	151.9	5.8	.31	.45	.59	140.4	6.4	.27	.42	.58	128.9	7.1	.23	.40	.57	117.5	7.7	.19	.37	.56				

## 12.5 TON HIGH EFFICIENCY LGH150H4 WITH HUMIDITROL® OPERATING (PART LOAD)

Entering Wet Bulb Temperature	Total Air Volume	Outdoor Air Temperature Entering Outdoor Coil																							
		65°F						75°F						85°F						95°F					
		Total Cool Cap.	Comp. Motor Input	Sensible To Total Ratio (S/T)			Total Cool Cap.	Comp. Motor Input	Sensible To Total Ratio (S/T)			Total Cool Cap.	Comp. Motor Input	Sensible To Total Ratio (S/T)			Total Cool Cap.	Comp. Motor Input	Sensible To Total Ratio (S/T)						
				Dry Bulb					Dry Bulb					Dry Bulb					Dry Bulb						
cfm	kBtuh	kW	75°F	80°F	85°F	kBtuh	kW	75°F	80°F	85°F	kBtuh	kW	75°F	80°F	85°F	kBtuh	kW	75°F	80°F	85°F					
63°F	3800	55.2	3.4	.48	.70	.91	45.8	3.8	.40	.67	.94	36.4	4.1	.25	.61	.97	27.0	4.5	.33	.51	.99				
	4400	58.2	3.5	.53	.77	1.00	47.9	3.8	.45	.76	1.00	37.6	4.1	.31	.73	1.00	27.3	4.5	.22	.69	1.00				
	5000	61.2	3.5	.57	.84	1.00	50.0	3.8	.50	.85	1.00	38.8	4.1	.33	.73	.90	27.6	4.5	.10	.89	1.00				
67°F	3800	63.7	3.5	.29	.48	.66	53.8	3.9	.20	.41	.63	44.0	4.2	.04	.32	.59	34.1	4.6	.03	.12	.52				
	4400	66.6	3.6	.32	.51	.73	56.1	3.9	.21	.46	.72	45.7	4.2	.05	.36	.68	35.3	4.6	-.04	.19	.65				
	5000	69.4	3.6	.33	.55	.79	58.4	3.9	.24	.51	.79	47.4	4.2	.08	.42	.79	36.4	4.6	-.10	.25	.60				
71°F	3800	72.2	3.6	.15	.31	.47	61.9	4.0	.05	.23	.42	51.6	4.3	-.10	.12	.35	41.3	4.6	-.28	-.07	.22				
	4400	74.9	3.7	.16	.33	.51	64.4	4.0	.05	.25	.45	53.8	4.3	-.11	.14	.39	43.3	4.7	-.29	-.06	.27				
	5000	77.7	3.7	.16	.35	.55	66.9	4.0	.05	.28	.51	56.1	4.4	-.12	.16	.45	45.3	4.7	-.30	-.04	.33				

## 12.5 TON HIGH EFFICIENCY LGH150H4 WITH HUMIDITROL® OPERATING (FULL LOAD)

Entering Wet Bulb Temperature	Total Air Volume	Outdoor Air Temperature Entering Outdoor Coil																							
		65°F						75°F						85°F						95°F					
		Total Cool Cap.	Comp. Motor Input	Sensible To Total Ratio (S/T)			Total Cool Cap.	Comp. Motor Input	Sensible To Total Ratio (S/T)			Total Cool Cap.	Comp. Motor Input	Sensible To Total Ratio (S/T)			Total Cool Cap.	Comp. Motor Input	Sensible To Total Ratio (S/T)						
				Dry Bulb					Dry Bulb					Dry Bulb					Dry Bulb						
cfm	kBtuh	kW	75°F	80°F	85°F	kBtuh	kW	75°F	80°F	85°F	kBtuh	kW	75°F	80°F	85°F	kBtuh	kW	75°F	80°F	85°F					
63°F	3800	122.7	7.3	.63	.79	.96	110.6	8.0	.62	.80	.99	98.6	8.8	.61	.81	1.00	86.5	9.6	.60	.82	1.00				
	4400	127.4	7.3	.66	.82	.97	114.4	8.1	.65	.83	1.00	101.4	8.8	.65	.84	1.00	88.4	9.6	.64	.85	1.00				
	5000	132.1	7.3	.69	.84	.99	118.2	8.1	.69	.86	1.00	104.2	8.9	.69	.87	1.00	90.3	9.6	.69	.88	1.00				
67°F	3800	137.7	7.5	.47	.62	.76	124.7	8.2	.44	.61	.78	111.8	9.0	.42	.60	.79	98.8	9.8	.39	.60	.80				
	4400	142.5	7.5	.49	.64	.79	128.7	8.3	.46	.63	.80	115.0	9.0	.44	.63	.81	101.3	9.8	.42	.62	.83				
	5000	147.2	7.6	.50	.66	.81	132.7	8.3	.48	.65	.82	118.2	9.1	.46	.65	.84	103.7	9.8	.44	.65	.85				
71°F	3800	152.7	7.7	.31	.44	.57	138.8	8.4	.27	.42	.56	125.0	9.2	.23	.39	.55	111.1	10.0	.19	.37	.55				
	4400	157.5	7.7	.31	.46	.60	143.1	8.5	.27	.43	.60	128.6	9.2	.23	.41	.59	114.2	10.0	.19	.39	.59				
	5000	162.4	7.8	.31	.47	.63	147.3	8.5	.27	.45	.63	132.2	9.3	.23	.43	.63	117.2	10.0	.19	.41	.63				

## BLOWER DATA

### 092 AND 102 BELT DRIVE BLOWER – BASE UNIT

**BLOWER TABLE INCLUDES RESISTANCE FOR BASE UNIT ONLY (NO HEAT SECTION) WITH DRY INDOOR COIL AND AIR FILTERS IN PLACE.**

FOR ALL UNITS ADD:

- 1 – Wet indoor coil air resistance of selected unit.
  - 2 – Any factory installed options air resistance (heat section, economizer, etc.)
  - 3 – Any field installed accessories air resistance (duct resistance, diffuser, etc.)
- Then determine from blower table blower motor output required.

See page 33 for blower motors and drives. See page 33 for wet coil and option/accessory air resistance data.

### MAXIMUM STATIC PRESSURE WITH GAS HEAT - 2.0 in. w.g.

Total Air Volume cfm	Total Static Pressure – in. w.g.																											
	0.2		0.4		0.6		0.8		1.0		1.2		1.4		1.6		1.8		2.0		2.2		2.4		2.6			
	RPM	BHP	RPM	BHP	RPM	BHP	RPM	BHP	RPM	BHP	RPM	BHP	RPM	BHP	RPM	BHP	RPM	BHP	RPM	BHP	RPM	BHP	RPM	BHP	RPM	BHP	RPM	BHP
1750	481	0.21	549	0.4	618	0.57	688	0.7	758	0.82	824	0.93	885	1.08	941	1.23	991	1.39	1038	1.54	1082	1.68	1124	1.82	1166	1.95		
2000	493	0.29	561	0.47	629	0.64	700	0.77	768	0.9	832	1.02	892	1.17	946	1.33	995	1.49	1041	1.66	1085	1.81	1126	1.97	1167	2.12		
2250	507	0.37	574	0.56	643	0.72	712	0.86	779	0.99	842	1.13	900	1.28	953	1.44	1001	1.61	1045	1.78	1088	1.95	1128	2.12	1168	2.3		
2500	521	0.46	588	0.64	657	0.81	727	0.95	792	1.09	853	1.24	909	1.4	960	1.57	1007	1.74	1050	1.93	1091	2.11	1130	2.29	1170	2.48		
2750	537	0.56	604	0.74	674	0.91	743	1.06	806	1.21	865	1.36	920	1.53	969	1.71	1014	1.89	1055	2.08	1095	2.27	1133	2.47	1172	2.66		
3000	554	0.67	622	0.86	692	1.02	760	1.18	822	1.34	878	1.5	931	1.68	979	1.86	1021	2.06	1061	2.26	1099	2.46	1136	2.65	1174	2.85		
3250	572	0.78	641	0.98	712	1.15	778	1.32	838	1.49	892	1.66	943	1.84	989	2.03	1030	2.24	1068	2.45	1105	2.65	1141	2.85	1178	3.06		
3500	592	0.9	663	1.12	733	1.3	798	1.47	855	1.65	907	1.83	956	2.02	1000	2.22	1039	2.44	1076	2.65	1111	2.86	1146	3.07	1183	3.27		
3750	614	1.04	687	1.28	756	1.47	818	1.65	872	1.83	923	2.02	970	2.22	1011	2.43	1049	2.65	1084	2.87	1118	3.09	1152	3.29	1189	3.51		
4000	639	1.22	713	1.48	780	1.66	838	1.83	890	2.02	939	2.22	984	2.44	1023	2.66	1059	2.89	1093	3.11	1126	3.33	1160	3.54	1197	3.77		
4250	667	1.43	741	1.69	805	1.86	859	2.02	909	2.22	956	2.45	998	2.68	1036	2.92	1070	3.15	1103	3.37	1135	3.59	1169	3.81	1207	4.05		

## BLOWER DATA

### 120 AND 150 BELT DRIVE BLOWER – BASE UNIT

**BLOWER TABLE INCLUDES RESISTANCE FOR BASE UNIT ONLY (NO HEAT SECTION) WITH DRY INDOOR COIL AND AIR FILTERS IN PLACE.**

FOR ALL UNITS ADD:

- 1 – Wet indoor coil air resistance of selected unit.
- 2 – Any factory installed options air resistance (heat section, economizer, etc.)
- 3 – Any field installed accessories air resistance (duct resistance, diffuser, etc.)

Then determine from blower table blower motor output required.

See page 33 for blower motors and drives. See page 33 for wet coil and option/accessory air resistance data.

### MAXIMUM STATIC PRESSURE WITH GAS HEAT - 2.0 in. w.g.

Total Air Volume cfm	Total Static Pressure – in. w.g.																										
	0.2		0.4		0.6		0.8		1.0		1.2		1.4		1.6		1.8		2.0		2.2		2.4		2.6		
	RPM	BHP	RPM	BHP	RPM	BHP	RPM	BHP	RPM	BHP	RPM	BHP	RPM	BHP	RPM	BHP	RPM	BHP	RPM	BHP	RPM	BHP	RPM	BHP	RPM	BHP	RPM
2000	497	0.25	558	0.44	624	0.6	694	0.74	764	0.85	830	0.99	889	1.16	943	1.34	994	1.52	1045	1.71	1096	1.89	1146	2.08	1197	2.27	
2250	511	0.34	573	0.52	638	0.68	708	0.82	776	0.94	839	1.09	896	1.26	948	1.45	998	1.64	1048	1.83	1098	2.01	1149	2.2	1200	2.4	
2500	527	0.44	589	0.62	654	0.78	723	0.91	789	1.05	850	1.21	904	1.39	955	1.58	1003	1.77	1052	1.96	1101	2.14	1152	2.33	1203	2.53	
2750	545	0.55	606	0.72	672	0.88	740	1.03	804	1.17	861	1.34	914	1.53	962	1.72	1010	1.92	1057	2.10	1105	2.29	1154	2.47	1206	2.68	
3000	564	0.66	626	0.84	692	1.01	759	1.16	819	1.32	874	1.49	924	1.68	971	1.88	1017	2.08	1063	2.26	1110	2.44	1158	2.63	1208	2.83	
3250	585	0.79	648	0.98	714	1.14	778	1.31	836	1.48	887	1.66	935	1.86	981	2.06	1026	2.26	1071	2.45	1117	2.63	1163	2.80	1213	3.00	
3500	607	0.93	672	1.13	737	1.31	798	1.48	852	1.66	901	1.85	948	2.05	993	2.26	1037	2.46	1081	2.65	1125	2.83	1171	3.01	1221	3.21	
3750	632	1.10	698	1.31	762	1.50	819	1.67	869	1.86	915	2.05	961	2.25	1005	2.47	1049	2.68	1092	2.88	1136	3.05	1181	3.24	1231	3.45	
4000	660	1.30	726	1.52	787	1.70	838	1.87	885	2.06	930	2.26	974	2.48	1018	2.71	1062	2.93	1105	3.12	1149	3.30	1194	3.49	1245	3.72	
4250	691	1.53	755	1.75	810	1.91	857	2.07	901	2.27	945	2.50	990	2.74	1034	2.98	1077	3.20	1120	3.39	1163	3.58	1210	3.79	1262	4.03	
4500	724	1.78	783	1.98	831	2.12	874	2.28	917	2.50	962	2.75	1006	3.02	1051	3.27	1094	3.49	1137	3.70	1181	3.89	1228	4.11	1281	4.38	
4750	757	2.05	809	2.20	851	2.33	891	2.51	935	2.76	980	3.05	1025	3.33	1070	3.59	1113	3.82	1156	4.03	1201	4.24	1249	4.47	1303	4.75	
5000	787	2.31	831	2.43	870	2.57	910	2.78	954	3.06	1000	3.38	1046	3.68	1091	3.95	1135	4.19	1178	4.40	1224	4.62	1272	4.86	1325	5.13	
5250	814	2.55	852	2.66	889	2.83	930	3.09	975	3.41	1023	3.76	1070	4.08	1115	4.35	1159	4.59	1203	4.81	1248	5.03	1297	5.27	1350	5.53	
5500	835	2.78	871	2.91	909	3.13	952	3.44	999	3.81	1049	4.18	1096	4.51	1142	4.79	1186	5.03	1229	5.24	1275	5.46	1324	5.69	---	---	
5750	854	3.01	890	3.19	930	3.48	977	3.86	1027	4.27	1078	4.66	1126	4.99	1171	5.26	1214	5.49	1258	5.70	---	---	---	---	---	---	
6000	871	3.26	910	3.53	955	3.90	1006	4.34	1060	4.80	1111	5.19	1158	5.51	---	---	---	---	---	---	---	---	---	---	---	---	
6250	890	3.57	934	3.94	985	4.41	1041	4.91	1096	5.38	---	---	---	---	---	---	---	---	---	---	---	---	---	---	---	---	



## BLOWER DATA

Motor Efficiency	Nominal hp	Maximum hp	Drive Kit Number	RPM Range
Standard & High	2	2.3	1	590 - 890
Standard & High	2	2.3	2	800 - 1105
Standard & High	2	2.3	3	795 - 1195
Standard	3	3.45	4	730 - 970
Standard	3	3.45	5	940 - 1200
Standard	3	3.45	6	1015 - 1300
High	3	3.45	7	730 - 970
High	3	3.45	8	940 - 1200
High	3	3.45	9	1015 - 1300
Standard	5	5.75	10	900 - 1135
Standard	5	5.75	11	1040 - 1315
Standard	5	5.75	12	1125 - 1425

NOTE - Using total air volume and system static pressure requirements determine from blower performance tables rpm and motor output required. Maximum usable output of motors furnished are shown. In Canada, nominal motor output is also maximum usable motor output. If motors of comparable output are used, be sure to keep within the service factor limitations outlined on the motor nameplate.

NOTE - Units equipped with MSAV® Multi-Stage Air Volume option are limited to a motor service factor of 1.0.

## FACTORY INSTALLED OPTIONS/FIELD INSTALLED ACCESSORY AIR RESISTANCE - in. w.g.

Air Volume cfm	Wet Indoor Coil		Gas Heat Exchanger			Economizer	Humiditrol Reheat Coil	Filters			Return Air Adaptor Plate
			Standard Heat	Medium heat	High Heat			MERV 8	MERV 13	MERV 16	
	092, 102	120, 150									
1750	0.04	0.04	0.06	0.02	0.02	0.05	0.02	0.01	0.03	0.06	0.00
2000	0.05	0.05	0.07	0.05	0.06	0.06	0.02	0.01	0.03	0.08	0.00
2250	0.06	0.06	0.07	0.07	0.08	0.08	0.02	0.01	0.04	0.09	0.00
2500	0.07	0.07	0.09	0.10	0.11	0.11	0.03	0.01	0.05	0.10	0.00
2750	0.08	0.08	0.09	0.11	0.12	0.12	0.03	0.02	0.05	0.11	0.00
3000	0.10	0.09	0.11	0.12	0.13	0.13	0.03	0.02	0.06	0.12	0.02
3250	0.11	0.10	0.12	0.15	0.16	0.15	0.04	0.02	0.06	0.13	0.02
3500	0.12	0.11	0.12	0.16	0.17	0.15	0.04	0.03	0.07	0.15	0.04
3750	0.14	0.13	0.14	0.19	0.20	0.15	0.05	0.03	0.08	0.16	0.07
4000	0.15	0.14	0.14	0.21	0.22	0.19	0.05	0.04	0.08	0.17	0.09
4250	0.17	0.15	0.14	0.24	0.28	0.19	0.06	0.04	0.09	0.19	0.11
4500	0.19	0.17	0.15	0.26	0.32	0.22	0.07	0.04	0.09	0.20	0.12
4750	0.20	0.18	0.16	0.29	0.37	0.25	0.07	0.05	0.10	0.21	0.16
5000	0.22	0.20	0.16	0.34	0.43	0.29	0.08	0.06	0.10	0.23	0.18
5250	0.24	0.22	0.16	0.37	0.47	0.32	0.08	0.06	0.11	0.24	0.19
5500	0.25	0.23	0.18	0.44	0.54	0.34	0.09	0.07	0.12	0.25	0.22
5750	0.27	0.25	0.19	0.49	0.59	0.45	0.10	0.07	0.12	0.27	0.25
6000	0.29	0.27	0.20	0.54	0.64	0.52	0.10	0.08	0.13	0.28	0.27

## POWER EXHAUST FAN PERFORMANCE

Return Air System Static Pressure	Air Volume Exhausted
in. w.g.	cfm
0	3175
0.05	2955
0.10	2685
0.15	2410
0.20	2165
0.25	1920
0.30	1420
0.35	1200

## BLOWER DATA

### CEILING DIFFUSERS AIR RESISTANCE - in. w.g.

Unit Size	RTD11 Step-Down Diffuser				FD11 Flush Diffuser
	Air Volume cfm	2 Ends Open	1 Side, 2 Ends Open	All Ends & Sides Open	
092 Models	2400	0.21	0.18	0.15	0.14
	2600	0.24	0.21	0.18	0.17
	2800	0.27	0.24	0.21	0.20
	3000	0.32	0.29	0.25	0.25
	3200	0.41	0.37	0.32	0.31
	3400	0.50	0.45	0.39	0.37
	3600	0.61	0.54	0.48	0.44
102 & 120 Models	3800	0.73	0.63	0.57	0.51
	3600	0.36	0.28	0.23	0.15
	3800	0.40	0.32	0.26	0.18
	4000	0.44	0.36	0.29	0.21
	4200	0.49	0.40	0.33	0.24
	4400	0.54	0.44	0.37	0.27
	4600	0.60	0.49	0.42	0.31
	4800	0.65	0.53	0.46	0.35
150 Models	5000	0.69	0.58	0.50	0.39
	5200	0.75	0.62	0.54	0.43
	4200	0.22	0.19	0.16	0.10
	4400	0.28	0.24	0.20	0.12
	4600	0.34	0.29	0.24	0.15
	4800	0.40	0.34	0.29	0.19
	5000	0.46	0.39	0.34	0.23
	5200	0.52	0.44	0.39	0.27
	5400	0.58	0.49	0.43	0.31
5600	0.64	0.54	0.47	0.35	
5800	0.70	0.59	0.51	0.39	

### CEILING DIFFUSER AIR THROW DATA

Model No.	Air Volume cfm	<sup>1</sup> Effective Throw Range	
		RTD11 Step-Down	FD11 Flush
		ft.	ft.
092 Models	2600	24 - 29	19 - 24
	2800	25 - 30	20 - 28
	3000	27 - 33	21 - 29
	3200	28 - 35	22 - 29
	3400	30 - 37	22 - 30
102, 120 Models	3600	25 - 33	22 - 29
	3800	27 - 35	22 - 30
	4000	29 - 37	24 - 33
	4200	32 - 40	26 - 35
	4400	34 - 42	28 - 37
150 Models	5600	39 - 49	28 - 37
	5800	42 - 51	29 - 38
	6000	44 - 54	40 - 50
	6200	45 - 55	42 - 51
	6400	46 - 55	43 - 52
	6600	47 - 56	45 - 56

<sup>1</sup> Throw is the horizontal or vertical distance an air stream travels on leaving the outlet or diffuser before the maximum velocity is reduced to 50 ft. per minute. Four sides open.

**ELECTRICAL DATA****7.5 TON**

Model No.		LGH092H4								
<sup>1</sup> Voltage - 60hz		208/230V - 3 Ph			460V - 3 Ph			575V - 3 Ph		
Compressor 1	Rated Load Amps	13.1			6.1			4.4		
	Locked Rotor Amps	83.1			41			33		
Compressor 2	Rated Load Amps	13.1			6.1			4.4		
	Locked Rotor Amps	83.1			41			33		
Outdoor Fan Motors (2)	Full Load Amps	2.4			1.3			1		
	(total)	(4.8)			(2.6)			(2)		
Power Exhaust (1) 0.33 HP	Full Load Amps	2.4			1.3			1		
Service Outlet 115V GFI (amps)		15			15			20		
Indoor Blower Motor	Horsepower	2	3	5	2	3	5	2	3	5
	Full Load Amps	7.5	10.6	16.7	3.4	4.8	7.6	2.7	3.9	6.1
<sup>2</sup> Maximum Overcurrent Protection	Unit Only	50	50	60	25	25	30	15	20	20
	With (1) 0.33 HP Power Exhaust	50	60	70	25	25	30	20	20	25
<sup>3</sup> Minimum Circuit Ampacity	Unit Only	42	45	52	20	22	25	15	16	19
	With (1) 0.33 HP Power Exhaust	45	48	55	22	23	26	16	17	20

NOTE - All units have a minimum Short Circuit Current Rating (SCCR) of 5000 amps.

<sup>1</sup> Extremes of operating range are plus and minus 10% of line voltage.<sup>2</sup> HACR type breaker or fuse.<sup>3</sup> Refer to National or Canadian Electrical Code manual to determine wire, fuse and disconnect size requirements.**ELECTRICAL DATA****8.5 TON**

Model No.		LGH102H4								
<sup>1</sup> Voltage - 60hz		208/230V - 3 Ph			460V - 3 Ph			575V - 3 Ph		
Compressor 1	Rated Load Amps	13.7			6.2			4.8		
	Locked Rotor Amps	83.1			41			33		
Compressor 2	Rated Load Amps	13.7			6.2			4.8		
	Locked Rotor Amps	83.1			41			33		
Outdoor Fan Motors (2)	Full Load Amps	2.4			1.3			1		
	(total)	(4.8)			(2.6)			(2)		
Power Exhaust (1) 0.33 HP	Full Load Amps	2.4			1.3			1		
Service Outlet 115V GFI (amps)		15			15			20		
Indoor Blower Motor	Horsepower	2	3	5	2	3	5	2	3	5
	Full Load Amps	7.5	10.6	16.7	3.4	4.8	7.6	2.7	3.9	6.1
<sup>2</sup> Maximum Overcurrent Protection	Unit Only	50	50	60	25	25	30	20	20	25
	With (1) 0.33 HP Power Exhaust	50	60	70	25	25	30	20	20	25
<sup>3</sup> Minimum Circuit Ampacity	Unit Only	44	47	54	20	22	25	16	17	20
	With (1) 0.33 HP Power Exhaust	46	49	56	22	23	26	17	18	21

NOTE - All units have a minimum Short Circuit Current Rating (SCCR) of 5000 amps.

<sup>1</sup> Extremes of operating range are plus and minus 10% of line voltage.<sup>2</sup> HACR type breaker or fuse.<sup>3</sup> Refer to National or Canadian Electrical Code manual to determine wire, fuse and disconnect size requirements.

**ELECTRICAL DATA**
**10 TON**

Model No.		LGH120H4								
<sup>1</sup> Voltage - 60hz		208/230V - 3 Ph			460V - 3 Ph			575V - 3 Ph		
Compressor 1	Rated Load Amps	16			7.8			5.7		
	Locked Rotor Amps	110			52			38.9		
Compressor 2	Rated Load Amps	16			7.8			5.7		
	Locked Rotor Amps	110			52			38.9		
Outdoor Fan Motors (2)	Full Load Amps	2.4			1.3			1		
	(total)	(4.8)			(2.6)			(2)		
Power Exhaust (1) 0.33 HP	Full Load Amps	2.4			1.3			1		
Service Outlet 115V GFI (amps)		15			15			20		
Indoor Blower Motor	Horsepower	2	3	5	2	3	5	2	3	5
	Full Load Amps	7.5	10.6	16.7	3.4	4.8	7.6	2.7	3.9	6.1
<sup>2</sup> Maximum Overcurrent Protection	Unit Only	60	60	70	30	30	35	20	20	25
	With (1) 0.33 HP Power Exhaust	60	60	70	30	30	35	20	25	25
<sup>3</sup> Minimum Circuit Ampacity	Unit Only	49	52	58	24	25	28	18	19	22
	With (1) 0.33 HP Power Exhaust	51	54	61	25	27	30	19	20	23

NOTE - All units have a minimum Short Circuit Current Rating (SCCR) of 5000 amps.

<sup>1</sup> Extremes of operating range are plus and minus 10% of line voltage.

<sup>2</sup> HACR type breaker or fuse.

<sup>3</sup> Refer to National or Canadian Electrical Code manual to determine wire, fuse and disconnect size requirements.

**ELECTRICAL DATA**
**12.5 TON**

Model No.		LGH150H4								
<sup>1</sup> Voltage - 60hz		208/230V - 3 Ph			460V - 3 Ph			575V - 3 Ph		
Compressor 1	Rated Load Amps	19.6			8.2			6.6		
	Locked Rotor Amps	136			66.1			55.3		
Compressor 2	Rated Load Amps	22.4			10.6			7.7		
	Locked Rotor Amps	149			75			54		
Outdoor Fan Motors (2)	Full Load Amps	3.2			1.7			1.5		
	(total)	(6.4)			(3.4)			(3)		
Power Exhaust (1) 0.33 HP	Full Load Amps	2.4			1.3			1		
Service Outlet 115V GFI (amps)		15			15			20		
Indoor Blower Motor	Horsepower	2	3	5	2	3	5	2	3	5
	Full Load Amps	7.5	10.6	16.7	3.4	4.8	7.6	2.7	3.9	6.1
<sup>2</sup> Maximum Overcurrent Protection	Unit Only	80	80	90	35	35	40	25	30	30
	With (1) 0.33 HP Power Exhaust	80	80	90	35	40	40	30	30	30
<sup>3</sup> Minimum Circuit Ampacity	Unit Only	62	65	71	28	30	33	22	23	25
	With (1) 0.33 HP Power Exhaust	64	67	73	30	31	34	23	24	26

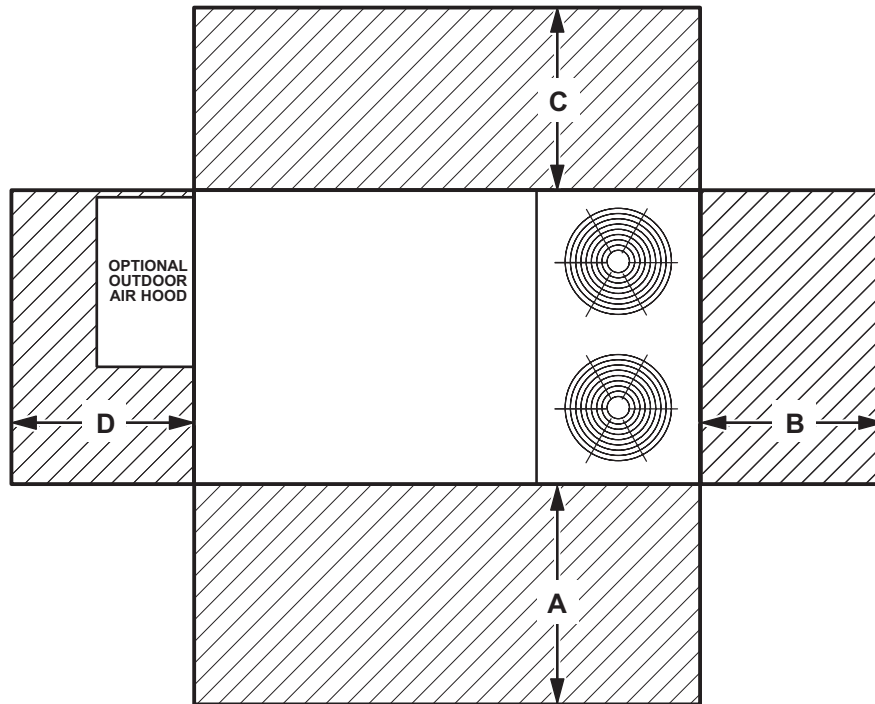
NOTE - All units have a minimum Short Circuit Current Rating (SCCR) of 5000 amps.

<sup>1</sup> Extremes of operating range are plus and minus 10% of line voltage.

<sup>2</sup> HACR type breaker or fuse.

<sup>3</sup> Refer to National or Canadian Electrical Code manual to determine wire, fuse and disconnect size requirements.

## UNIT CLEARANCES



<sup>1</sup> Unit Clearance	A		B		C		D		Top Clearance
	in.	mm	in.	mm	in.	mm	in.	mm	
<b>Service Clearance</b>	60	1524	36	914	36	934	60	1524	Unobstructed
<b>Clearance to Combustibles</b>	36	914	1	25	1	25	1	25	
<b>Minimum Operation Clearance</b>	36	914	36	914	36	914	36	914	

NOTE - Entire perimeter of unit base requires support when elevated above the mounting surface.

<sup>1</sup> Service Clearance - Required for removal of serviceable parts.

Clearance to Combustibles - Required clearance to combustible material.

Minimum Operation Clearance - Required clearance for proper unit operation.

## OUTDOOR SOUND DATA

Unit Model Number	Octave Band Sound Power Levels dBA, re 10 <sup>-12</sup> Watts - Center Frequency - Hz							<sup>1</sup> Sound Rating Number (dBA)
	125	250	500	1000	2000	4000	8000	
092, 102 and 120	76	79	84	83	79	73	66	88
150	75	81	87	85	80	74	70	90

Note - The octave sound power data does not include tonal corrections.

<sup>1</sup> Sound Rating Number according to AHRI Standard 370-2001 (includes pure tone penalty). Sound Rating Number is the overall A-Weighted Sound Power Level, (LWA), dBA (100 Hz to 10,000 Hz).

## WEIGHT DATA

Model Number	Outdoor Coil	Net		Shipping		Outdoor Coil	Net		Shipping	
		lbs.	kg	lbs.	kg		lbs.	kg	lbs.	kg
092 Base Unit	Environ™	1088	494	1173	532	Fin/Tube	1168	530	1253	568
092 Max. Unit	Environ™	1239	562	1324	601	Fin/Tube	1319	598	1404	637
102 Base Unit	Environ™	1095	497	1180	535	Fin/Tube	1175	533	1260	572
102 Max. Unit	Environ™	1246	565	1331	604	Fin/Tube	1326	601	1411	640
120 Base Unit	Environ™	1130	513	1215	551	Fin/Tube	1210	549	1295	587
120 Max. Unit	Environ™	1281	581	1366	620	Fin/Tube	1361	617	1446	656
150 Base Unit	N/A	---	---	---	---	Fin/Tube	1213	550	1298	589
150 Max. Unit	N/A	---	---	---	---	Fin/Tube	1363	618	1448	657

## OPTIONS / ACCESSORIES

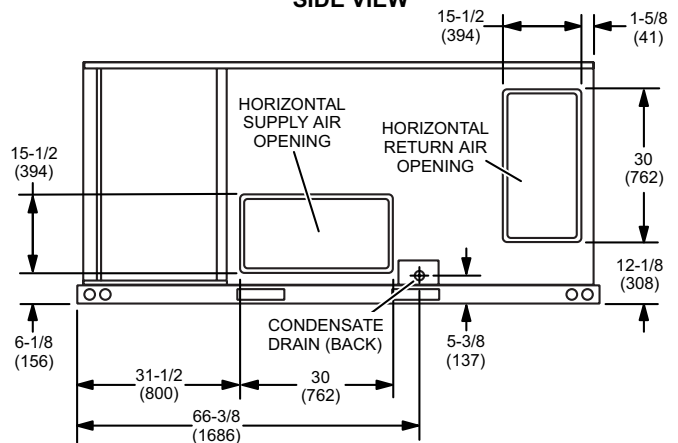
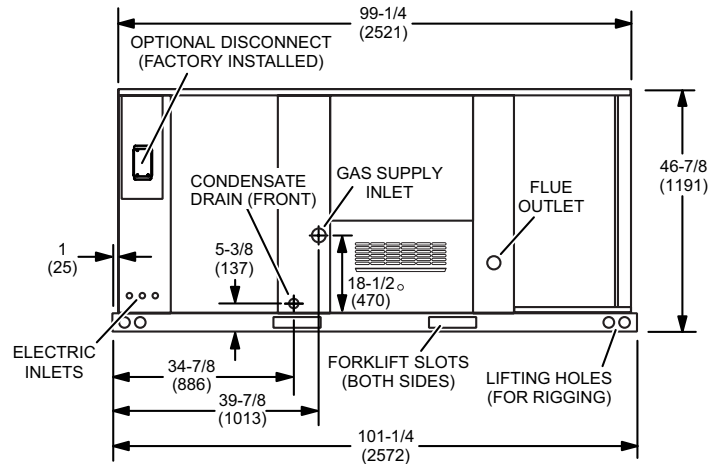
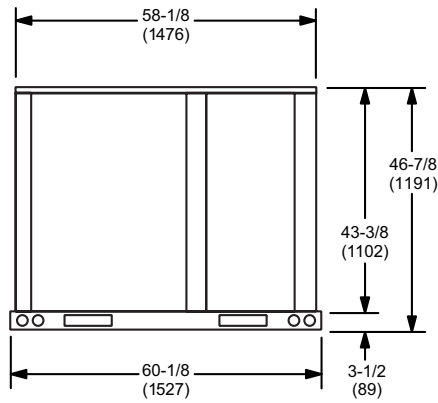
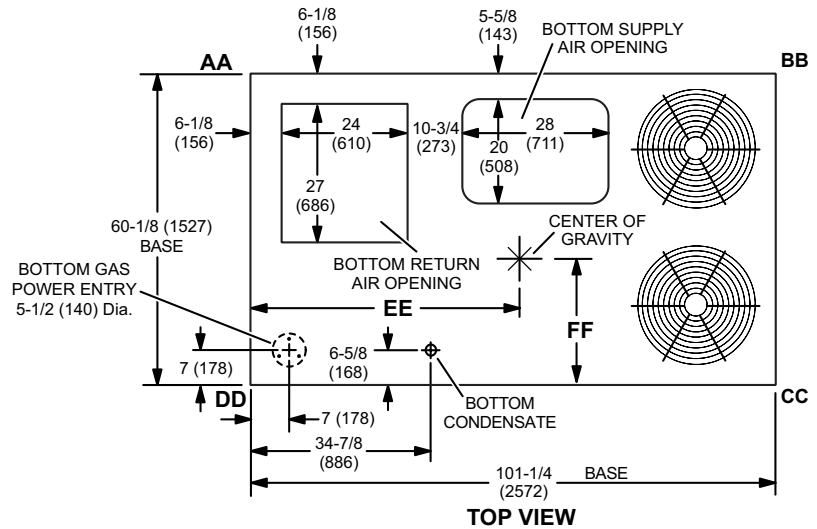
Model Number	Shipping Weight	
	lbs.	kg
<b>CONVENTIONAL FIN/TUBE CONDENSER COIL</b>		
Fin/Tube Condenser Coil (092-102-120 Models Only)	80	36
<b>ECONOMIZER / OUTDOOR AIR / EXHAUST</b>		
<b>Economizer</b>		
Economizer Dampers	60	27
Outdoor Air Hood (downflow)	23	10
Barometric Relief Dampers (downflow)	8	4
Barometric Relief Dampers (low profile horizontal)	20	9
<b>Outdoor Air Dampers</b>		
Outdoor Air Damper Section - Automatic	51	23
Outdoor Air Damper Section - Manual	39	18
<b>Power Exhaust</b>	31	14
<b>GAS HEAT EXCHANGER (NET WEIGHT)</b>		
Medium Heat (adder over standard heat)	9	5
High Heat (adder over standard heat)	32	15
<b>HUMIDITROL® DEHUMIDIFICATION SYSTEM</b>		
Humiditrol® Dehumidification Option	20	9
<b>MSAV® MULTI-STAGE AIR VOLUME OPTION</b>		
Variable Frequency Drive (VFD) and associated components	10	5
<b>ROOF CURBS</b>		
<b>Hybrid Roof Curbs, Downflow</b>		
8 in. height	60	27
14 in. height	85	39
18 in. height	100	45
24 in. height	125	57
<b>Adjustable Pitch Curb, Downflow</b>		
14 in. height	191	82
<b>CEILING DIFFUSERS</b>		
<b>Step-Down</b>		
RTD11-95S	118	54
RTD11-135S	135	61
RTD11-185S	168	76
<b>Flush</b>		
FD11-95S	118	54
FD11-135S	135	61
FD11-185S	168	76
<b>Transitions</b>		
C1DIFF30B-1	30	14
C1DIFF31B-1	32	15
C1DIFF32B-1	36	16

# DIMENSIONS - UNIT

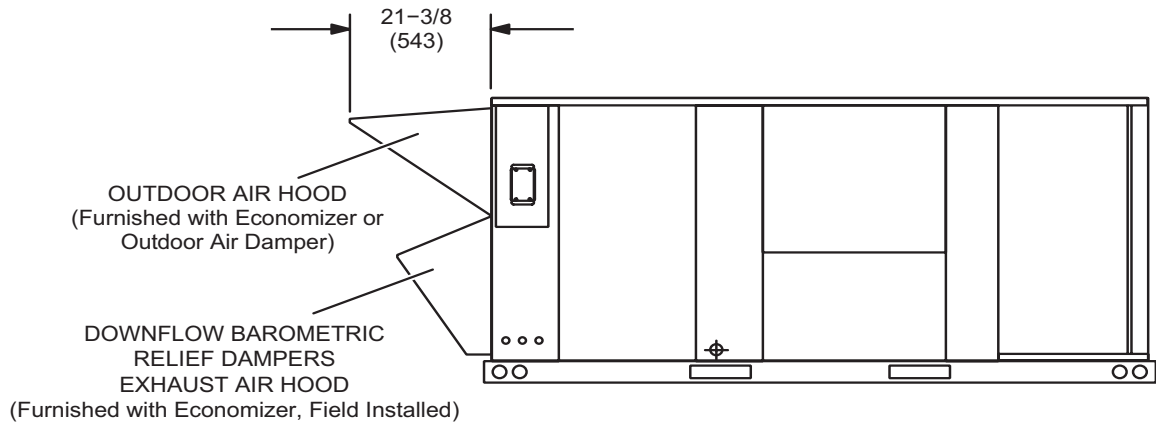
Model No.	CORNER WEIGHTS												CENTER OF GRAVITY											
	AA				BB				CC				DD				EE				FF			
	Base		Max.		Base		Max.		Base		Max.		Base		Max.		Base		Max.		Base		Max.	
	lbs.	kg	lbs.	kg	lbs.	kg	lbs.	kg	lbs.	kg	lbs.	kg	lbs.	kg	in.	mm	in.	mm	in.	mm	in.	mm	in.	mm
092	293	133	338	153	263	119	295	134	286	130	316	143	326	148	370	168	46.5	1181	45.5	1156	24.5	622	25.5	648
102	294	134	340	154	265	120	297	135	288	131	318	144	328	149	372	169	46.5	1181	45.5	1156	24.5	622	25.5	648
120	306	139	349	158	275	125	305	138	295	134	326	148	334	152	382	173	46.5	1181	45.5	1156	24.5	622	25.5	648
150	316	143	359	163	284	129	314	142	304	138	393	178	345	157	393	178	46.5	1181	45.5	1156	24.5	622	25.5	648

Base Unit - The unit with NO INTERNAL OPTIONS.

Max. Unit - The unit with ALL INTERNAL OPTIONS Installed. (Economizer, Standard Static Power Exhaust Fans, Controls, etc.). Does not include accessories external to unit or high static power exhaust.



**OUTDOOR AIR HOOD DETAIL**

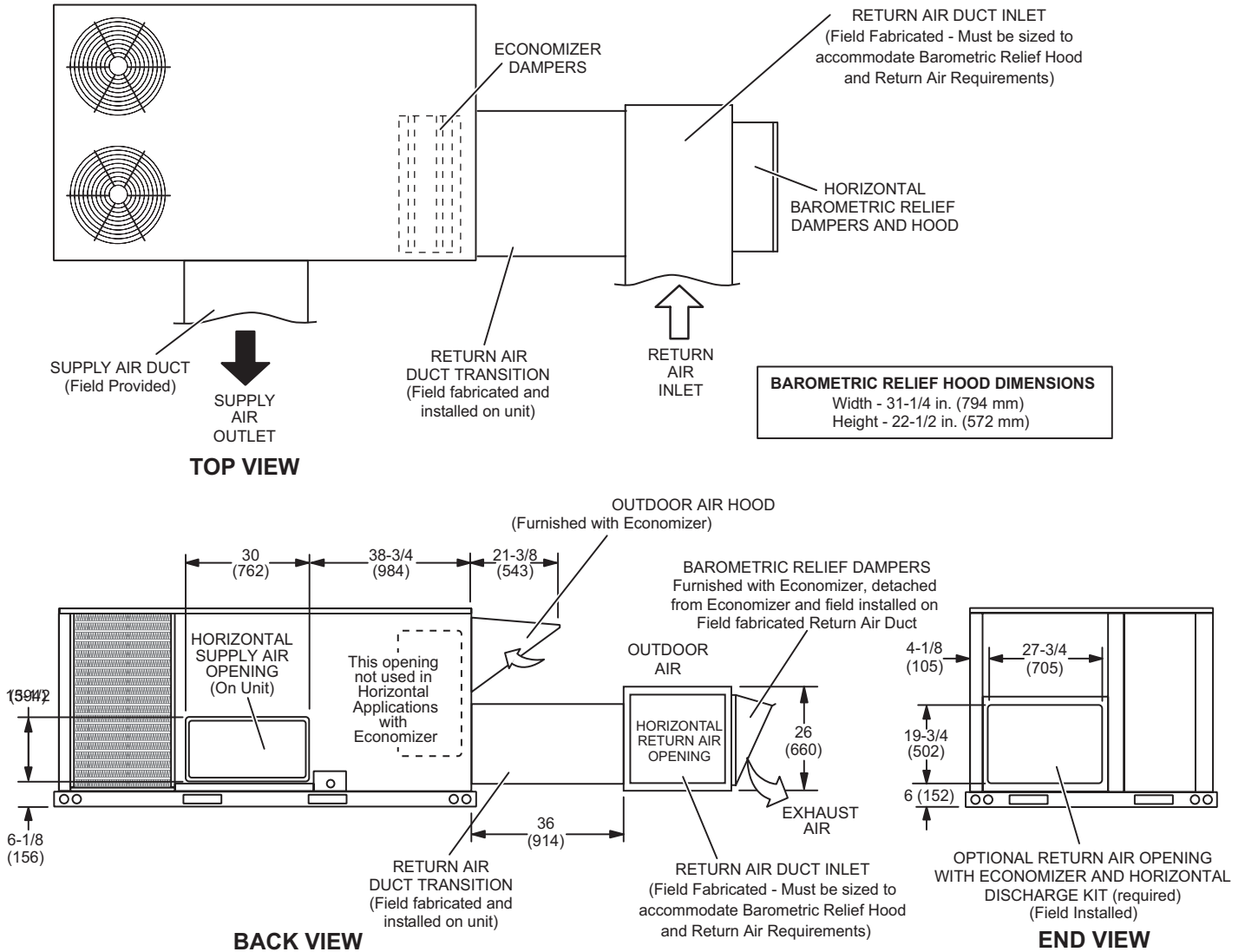




# DIMENSIONS - ACCESSORIES

## HORIZONTAL ECONOMIZER APPLICATION

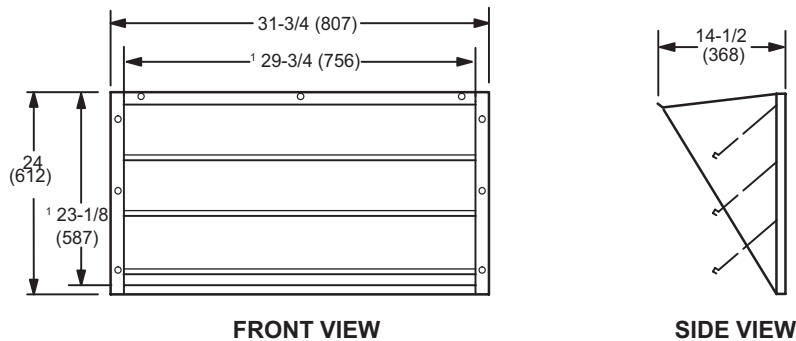
(With Furnished Barometric Relief Dampers and Optional Horizontal Discharge Kit - Required)



**NOTE** - Return Air Duct and Transition must be supported.

## BAROMETRIC RELIEF DAMPERS (Furnished with Economizer)

(Field installed in horizontal return air duct adjacent to unit)

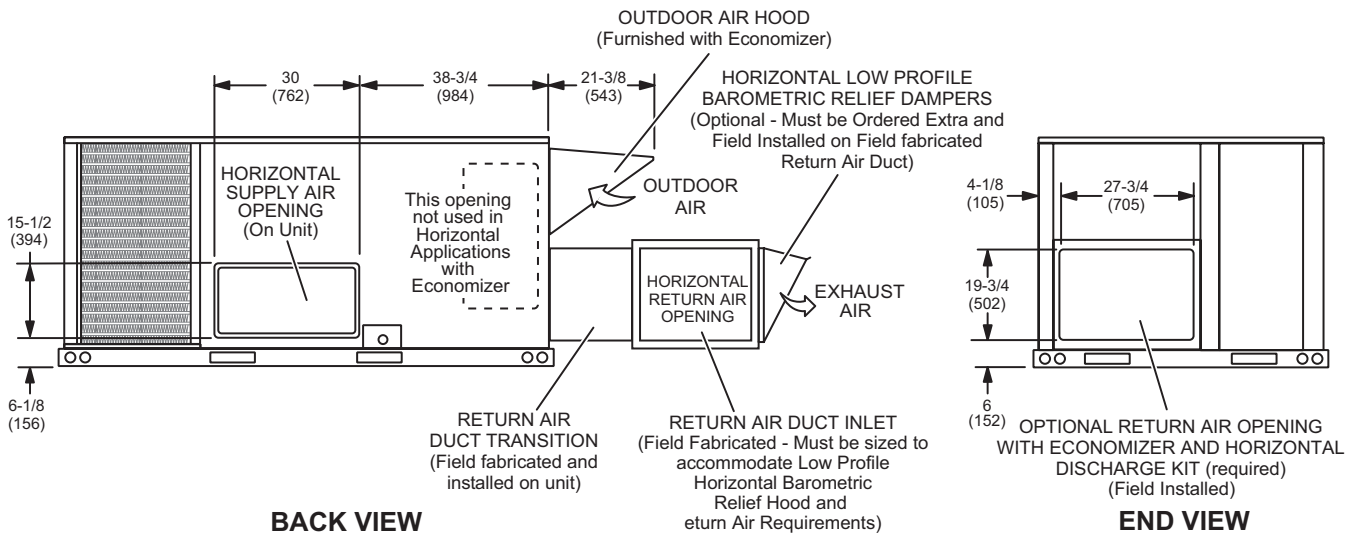
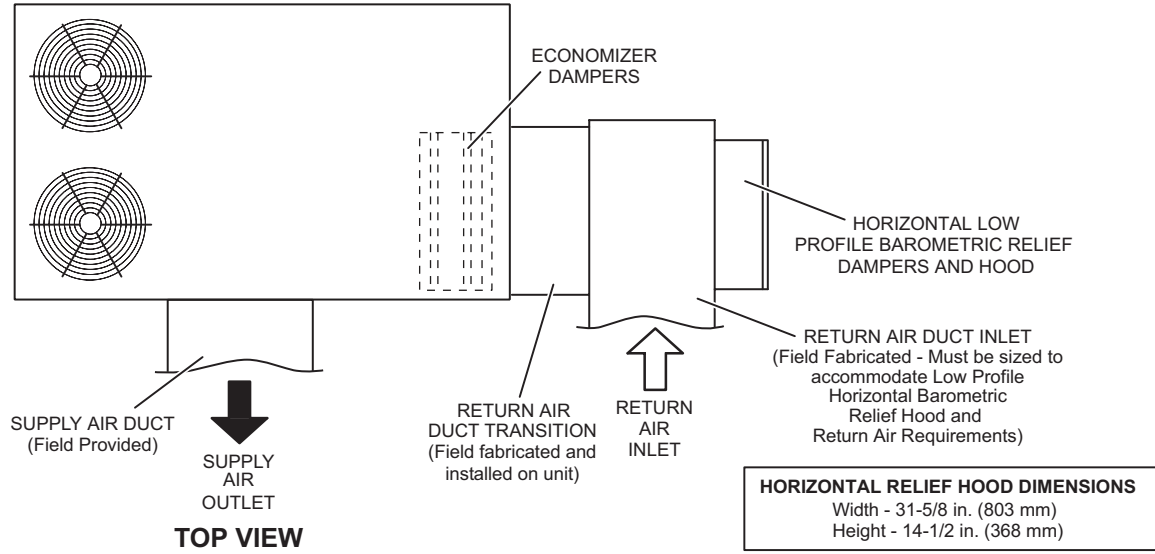


<sup>1</sup> NOTE - Opening size required in return air duct.

# DIMENSIONS - ACCESSORIES

## HORIZONTAL ECONOMIZER APPLICATION

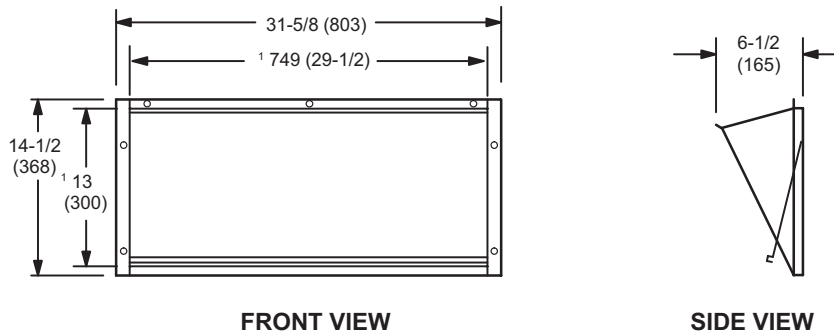
(with Optional Low Profile Horizontal Barometric Relief Dampers and Horizontal Discharge Kit - Required)



**NOTE** - Return Air Duct and Transition must be supported.

## HORIZONTAL LOW PROFILE BAROMETRIC RELIEF DAMPERS

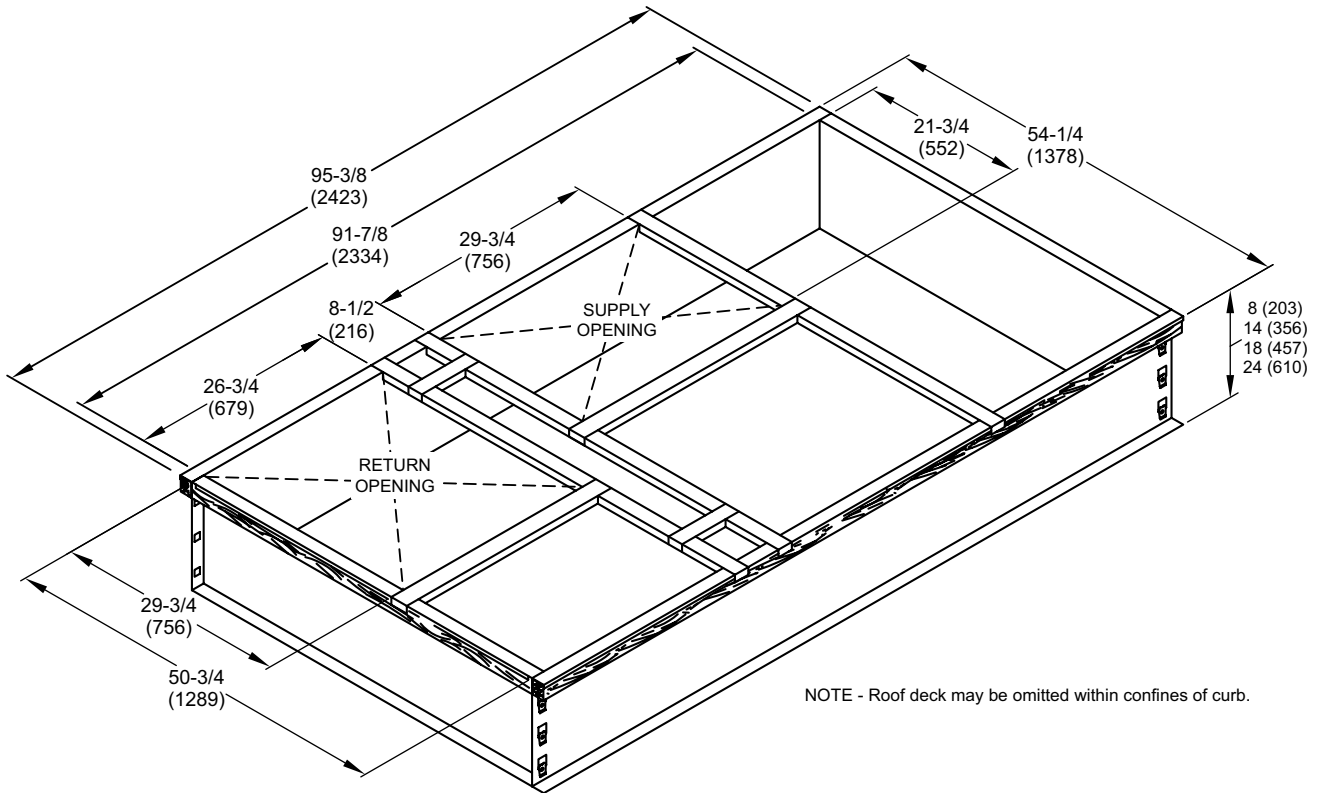
(Field installed in horizontal return air duct adjacent to unit)



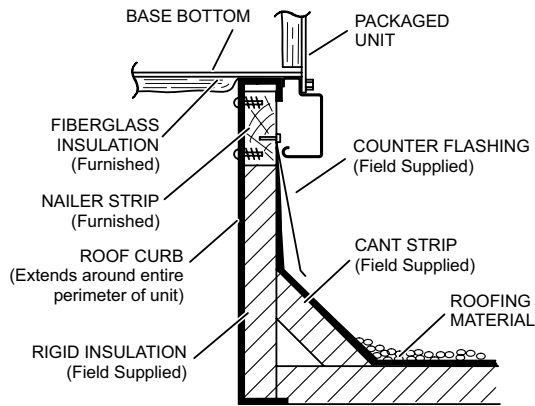
<sup>1</sup> NOTE - Opening size required in return air duct.

# DIMENSIONS - ACCESSORIES

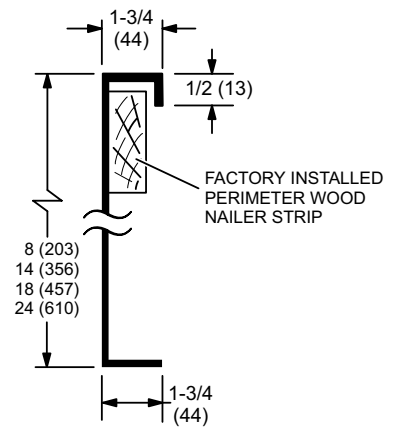
## HYBRID ROOF CURBS - DOUBLE DUCT OPENING



**TYPICAL FLASHING DETAIL FOR ROOF CURB**

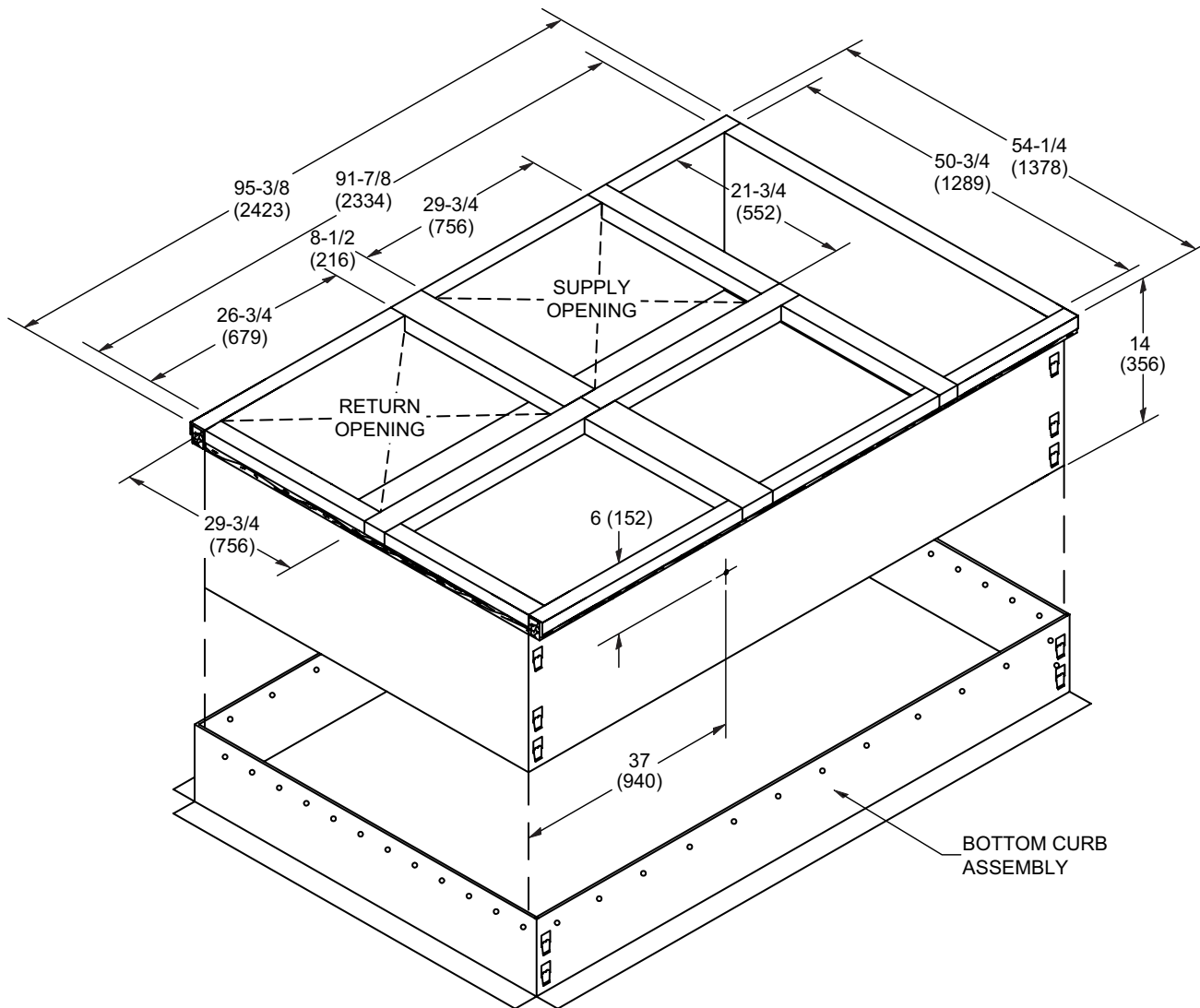


**DETAIL ROOF CURB**



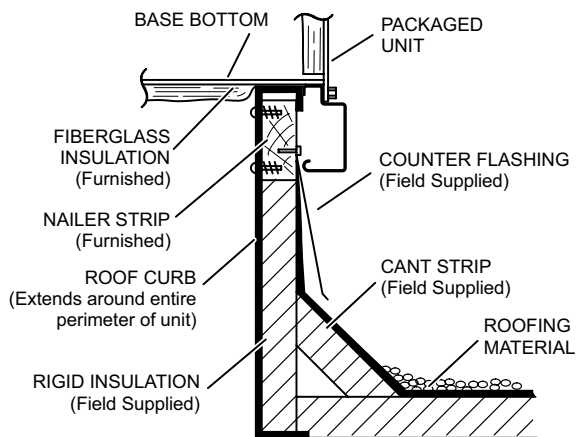
# DIMENSIONS - ACCESSORIES

## ADJUSTABLE PITCH CURBS - DOUBLE DUCT OPENING

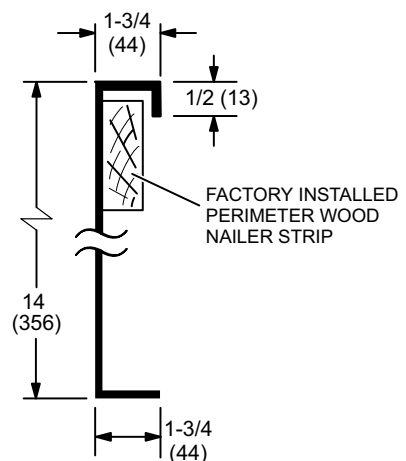


NOTE - Maximum slope pitch is 3/4 in. per 1 foot (19 mm per 305 mm) in any one direction.

### TYPICAL FLASHING DETAIL FOR ROOF CURB

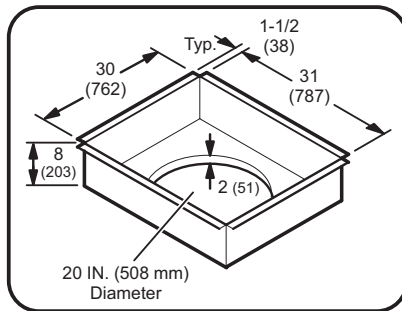


### DETAIL ROOF CURB

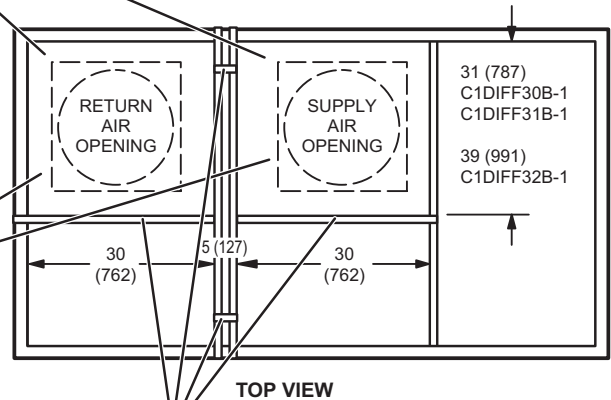
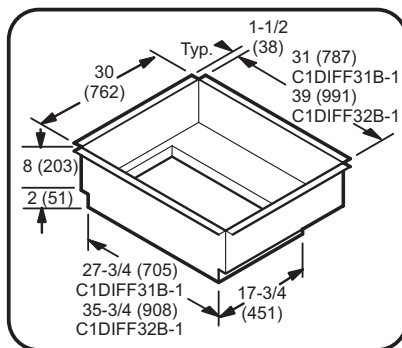


**ROOF CURBS WITH SUPPLY & RETURN AIR TRANSITIONS FOR CEILING DIFFUSERS**

**C1DIFF30B-1 ROUND TRANSITIONS**  
(for 092 models)



**C1DIFF31B-1 & C1DIFF32B-1 RECTANGULAR TRANSITIONS**  
(for 102 thru 150 models)



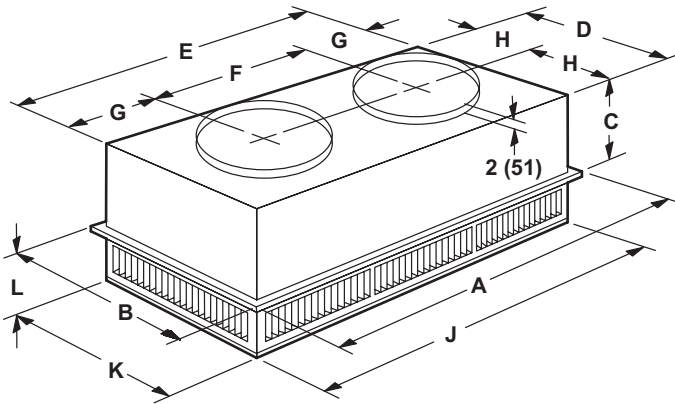
**TOP VIEW**

NOTE - These four supports are furnished with the transitions to replace supports furnished with curb for proper transition spacing.

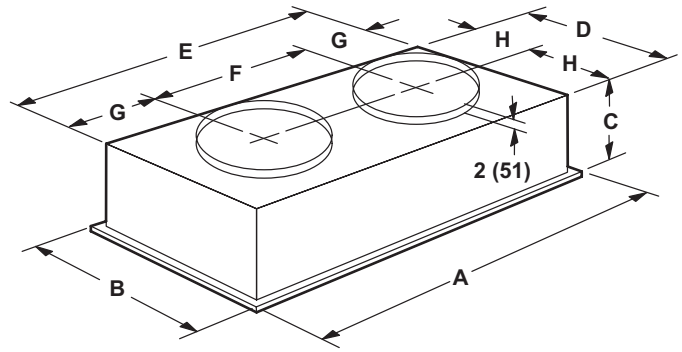
## DIMENSIONS - ACCESSORIES

### COMBINATION CEILING SUPPLY AND RETURN DIFFUSERS

#### STEP-DOWN CEILING DIFFUSER



#### FLUSH CEILING DIFFUSER



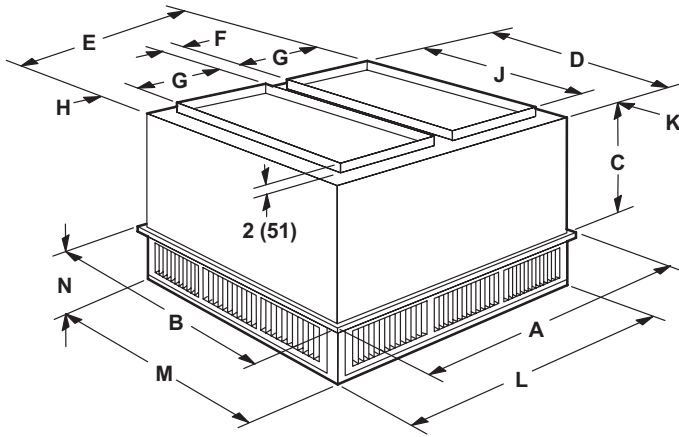
Model Number		RTD11-95S
A	in.	47-5/8
	mm	1159
B	in.	29-5/8
	mm	752
C	in.	14-3/8
	mm	365
D	in.	27-1/2
	mm	699
E	in.	45-1/2
	mm	1158
F	in.	22-1/2
	mm	572
G	in.	11-1/2
	mm	292
H	in.	13-3/4
	mm	349
J	in.	45-1/2
	mm	1156
K	in.	27-1/2
	mm	699
L	in.	8-1/8
	mm	206
Duct Size	in.	20 round
	mm	508 round

Model Number		FD11-95S
A	in.	47-5/8
	mm	1159
B	in.	29-5/8
	mm	752
C	in.	16-5/8
	mm	422
D	in.	27
	mm	686
E	in.	45
	mm	1143
F	in.	22-1/2
	mm	572
G	in.	11-1/4
	mm	286
H	in.	13-1/2
	mm	343
Duct Size	in.	20 round
	mm	508 round

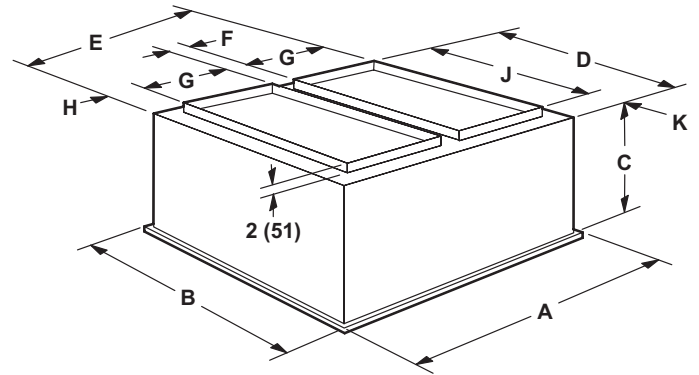
## DIMENSIONS - ACCESSORIES

### COMBINATION CEILING SUPPLY AND RETURN DIFFUSERS

#### STEP-DOWN CEILING DIFFUSER



#### FLUSH CEILING DIFFUSER

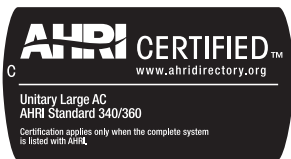


Model Number		RTD11-135S	RTD11-185S
A	in.	47-5/8	47-5/8
	mm	1210	1210
B	in.	35-5/8	47-5/8
	mm	905	1210
C	in.	20-5/8	24-5/8
	mm	524	625
D	in.	33-1/2	45-1/2
	mm	851	1156
E	in.	45-1/2	45-1/2
	mm	1156	1156
F	in.	4-1/2	4-1/2
	mm	114	114
G	in.	18	18
	mm	457	457
H	in.	2-1/2	2-1/2
	mm	64	64
J	in.	28	36
	mm	711	914
K	in.	2-3/4	4-3/4
	mm	70	121
L	in.	45-1/2	45-1/2
	mm	1156	1156
M	in.	33-1/2	45-1/2
	mm	851	1156
N	in.	9-1/8	10-1/8
	mm	232	257
Duct Size	in.	18 x 28	18 x 36
	mm	457 x 711	457 x 914

Model Number		FD11-135S	FD11-185S
A	in.	47-5/8	47-5/8
	mm	1210	1210
B	in.	35-5/8	47-5/8
	mm	905	1210
C	in.	23-1/4	29-1/4
	mm	591	743
D	in.	33	45
	mm	838	1143
E	in.	45	45
	mm	1143	1143
F	in.	4-1/2	4-1/2
	mm	114	114
G	in.	18	18
	mm	457	457
H	in.	2-1/4	2-1/4
	mm	57	57
J	in.	28	36
	mm	711	914
K	in.	2-1/2	4-1/2
	mm	64	114
Duct Size	in.	18 x 28	18 x 36
	mm	457 x 711	457 x 914

## REVISIONS

Sections	Description of Change
Options/Accessories	Added MERV 16 air filters. Copper Drain Trap is field installed only.



Visit us at [www.Lennox.com](http://www.Lennox.com)

For the latest technical information, [www.LennoxCommercial.com](http://www.LennoxCommercial.com)

Contact us at 1-800-4-LENNOX

NOTE - Due to Lennox' ongoing commitment to quality, Specifications, Ratings and Dimensions subject to change without notice and without incurring liability. Improper installation, adjustment, alteration, service or maintenance can cause property damage or personal injury. Installation and service must be performed by a qualified installer and servicing agency.

©2022 Lennox Industries, Inc.