

INSTALLATION INSTRUCTIONS

PHK Electric Heat Accessory

WARNING

Improper installation, adjustment, alteration, service, or maintenance can cause injury or property damage. Refer to this manual. For assistance or additional information, consult a qualified installer or service agency.

WARNING

Installation and servicing of air conditioning equipment can be hazardous due to internal refrigerant pressure and live electrical components. Only trained and qualified service personnel should install or service this equipment. Installation and service performed by unqualified persons can result in property damage, personal injury, or death.

These instructions are intended as a general guide only, for use by qualified personnel and do not supersede any national or local codes in any way. Installation must conform with the local building codes and with the latest editions of the National Electrical Code.

Read these instructions thoroughly before starting installation. Only qualified installers or technicians should install the electric heat section and all other equipment used in HVAC systems. Federal, state, and local codes must be followed when installing this or any other HVAC equipment.

Be sure to disconnect all power to the unit while installing and servicing this equipment. Use proper tools and protective equipment during installation and service.

WARNING

If this unit is to be installed in a mobile or manufactured home application, the ductwork must be sized to achieve static pressures within the manufacturer's guidelines. All other installation guidelines must also be followed. Failure to do so may result in equipment damage, personal injury, and improper performance of the unit.

WARNING

If these instructions and/or codes are not followed or if the equipment is not properly installed, possible injury or death could occur during installation or operation.

WARNING

Sharp metal edges can cause injury. When installing the unit, use care to avoid sharp edges.



507416-01

CAUTION

The installation of this appliance must conform to the requirements of the National Fire Protection Association; the National Electrical Code, ANSI/NFPA No. 70 (latest edition) in the United States; the Canadian Electrical Code Part 1, CSA 22.1 (latest edition) in Canada; and any state or provincial laws or local ordinances. Local authorities having jurisdiction should be consulted before installation is made. Such applicable regulations or requirements take precedence over the general instructions in this manual.

Inspection of Shipment

Upon receipt of equipment, carefully inspect it for possible shipping damage. If damage is found, it should be noted on the carrier's freight bill. Take special care to examine the unit inside the carton if the carton is damaged. File a claim with the transportation company.

If any damages are discovered and reported to the carrier **DO NOT INSTALL THE UNIT, as claim may be denied.**

Electrical Wiring

All field wiring must be done in accordance with National Electric Code recommendations, local codes and applicable requirements of UL or in accordance with Canadian Electrical Code, local codes and CSA Standards. Separate power supply circuits are used for electric heat, unless a single point power kit is installed. 15 and 20 kW heaters require two separate power supply circuits for electric heat. Power wiring, disconnect means, and over-current protection are to be supplied by the installer. If circuit breakers are used, breakers should be HACR type per NEC.

See unit rating plate for maximum over-current protection, minimum circuit ampacity, as well as operating voltage. The power supply must be sized and protected according to specifications supplied. The unit must be grounded with a separate ground conductor. See electrical connection diagram for typical field wiring connections.

Electric Heat Accessory Installation

Before installing the unit, check information on the unit rating plate to ensure that the unit meets the job specification, proper electrical power is available, and the proper duct clearances are maintained.

⚠ WARNING

Risk of electrical shock. Before installing or servicing unit, be sure ALL power to the unit is OFF. More than one disconnect switch may be present. Failure to disconnect power supplies can result in property damage, personal injury, or death.

MODELS: PHP, PCE, CHPX AND CHAX

To install the electric heat accessory (see Figure 1):

1. Disconnect the power and remove the heater compartment access panel.
2. Disconnect the plug separating the high voltage wire harness. Remove the high voltage wire harness plug and discard.

3. Remove the heater blockoff by removing the four screws holding it in place.
4. Insert the heat accessory into the control panel and fasten in the same mounting holes. Use two additional screws to secure left edge of heater accessory.
5. Plug the heat accessory wiring harness into the wire harness on the control assembly. Field wiring of the auxiliary heater is separate from the unit power supply. Wire the power supply wiring for the heater to the appropriate connections on the heat accessory.
6. Replace the heater compartment access panel and reconnect the power.

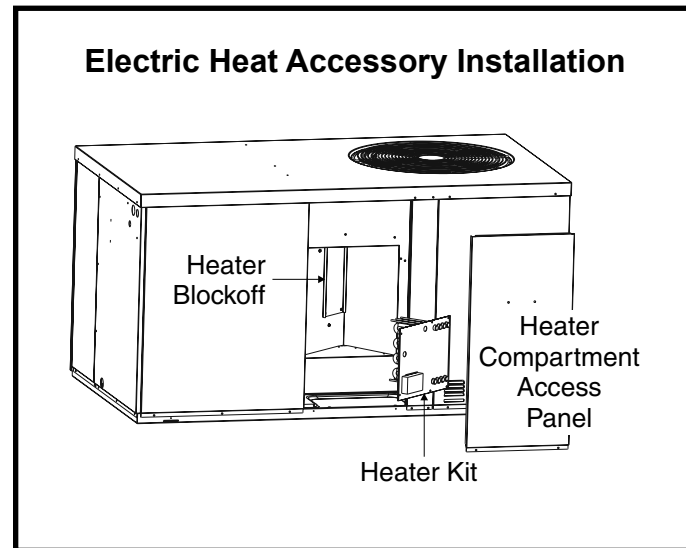


Figure 1 -PHP, PCE, CHPX AND CHAX

Electrical Connections Use copper conductors only.

See Figure 3 for electrical connections.

MODELS: PR and LRP

To install the electric heat accessory (see Figure 2):

1. Disconnect the power and remove control access panel.
2. Disconnect the plug separating the high voltage wire harness. Remove the high voltage wire harness plug and discard.
3. Remove the heater blockoff by removing the four screws holding it in place.
4. Insert the heat accessory into the control panel and fasten in the same mounting holes. Use two additional screws to secure bottom of heater accessory.

5. Plug the heat accessory wiring harness into the 6-pin wire harness from the control assembly. Field wiring of the auxiliary heater is separate from the unit power supply. Wire the power supply wiring for the heater to the appropriate connections on the heat accessory.
6. Replace control access panel and reconnect the power.

7. Mark the heater installed label located on the package unit to indicate the heater accessory that has been installed. Upon completion of installation, affix supplied heater wiring diagram from kit next to the basic unit wiring diagram.

Electrical Connections Use copper conductors only.

See Figure 4,5, 6 & 8 for electrical connections

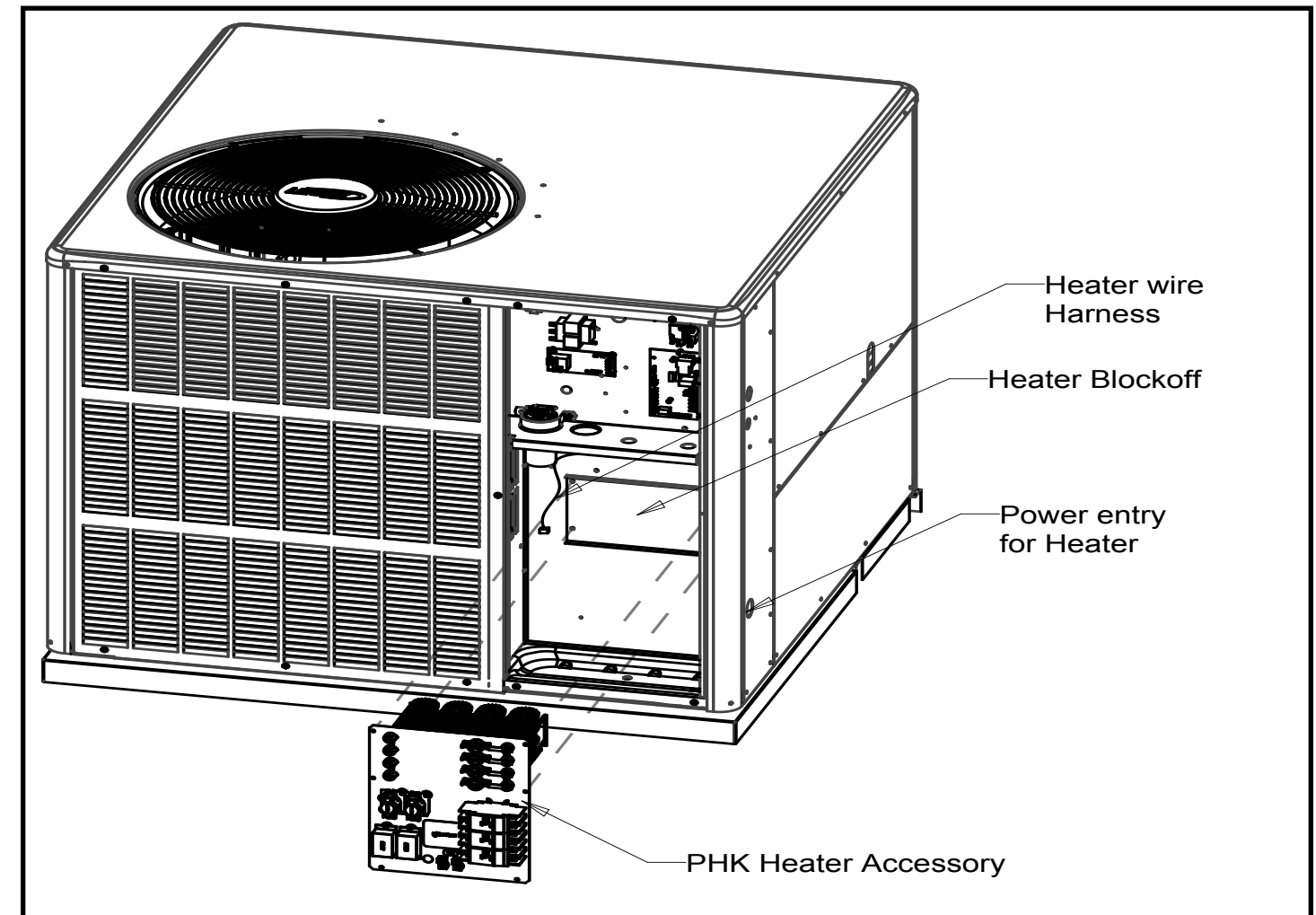


Figure 2 -PR & LRP

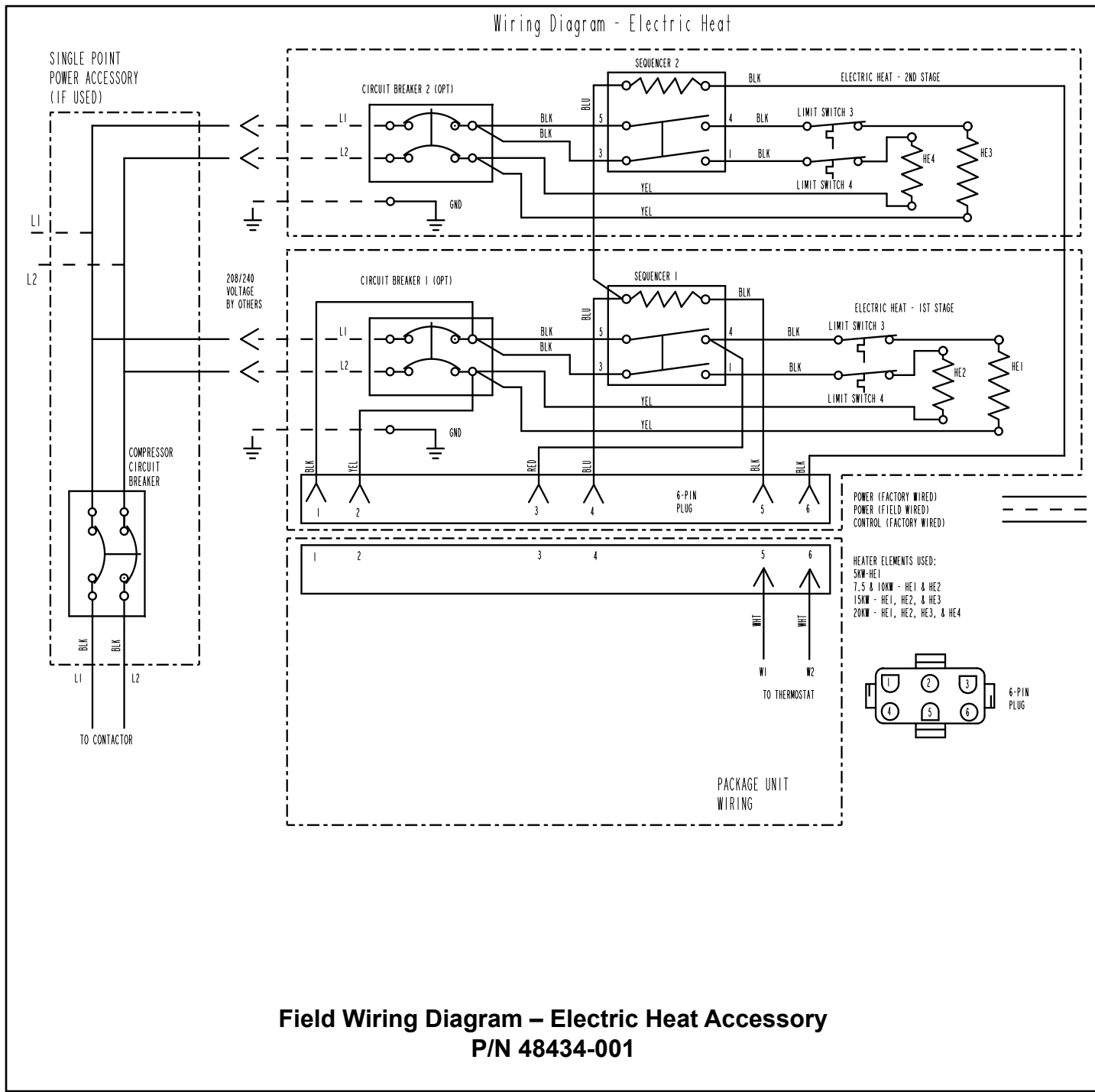


Figure 3 -PHP, PCE, CHPX & CHAX

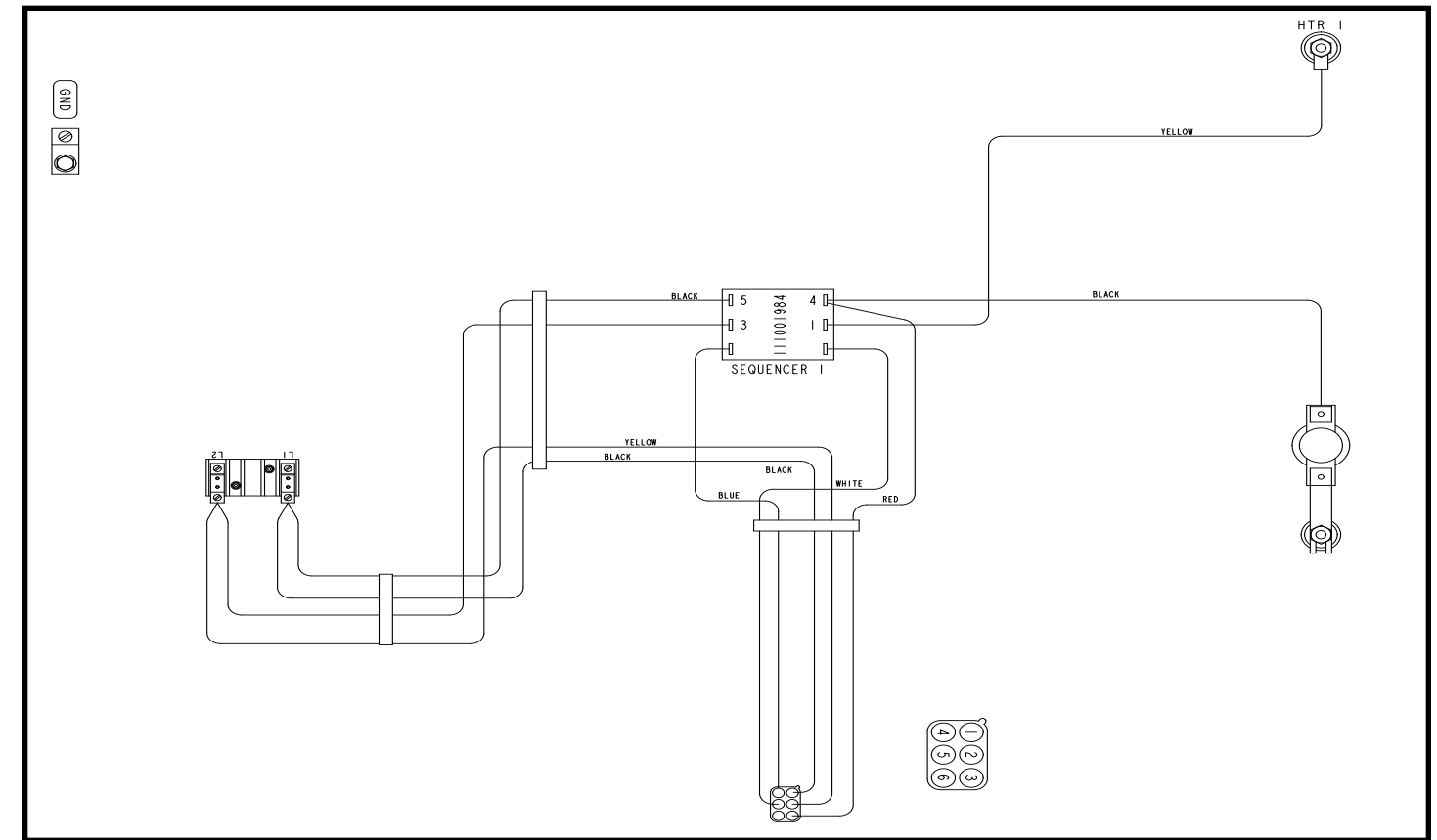


Figure 5 - 5KW

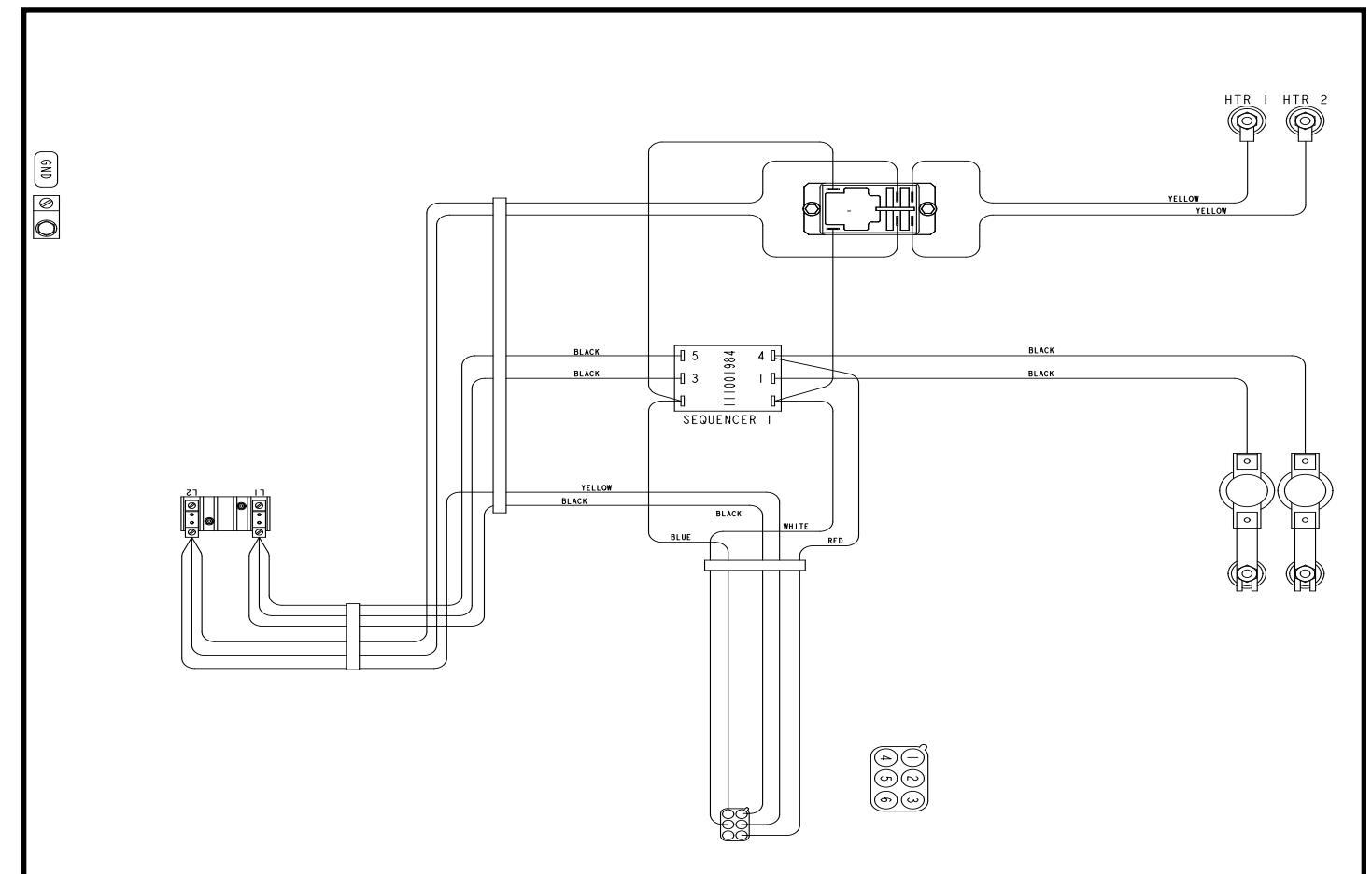


Figure 6 - 7.5KW

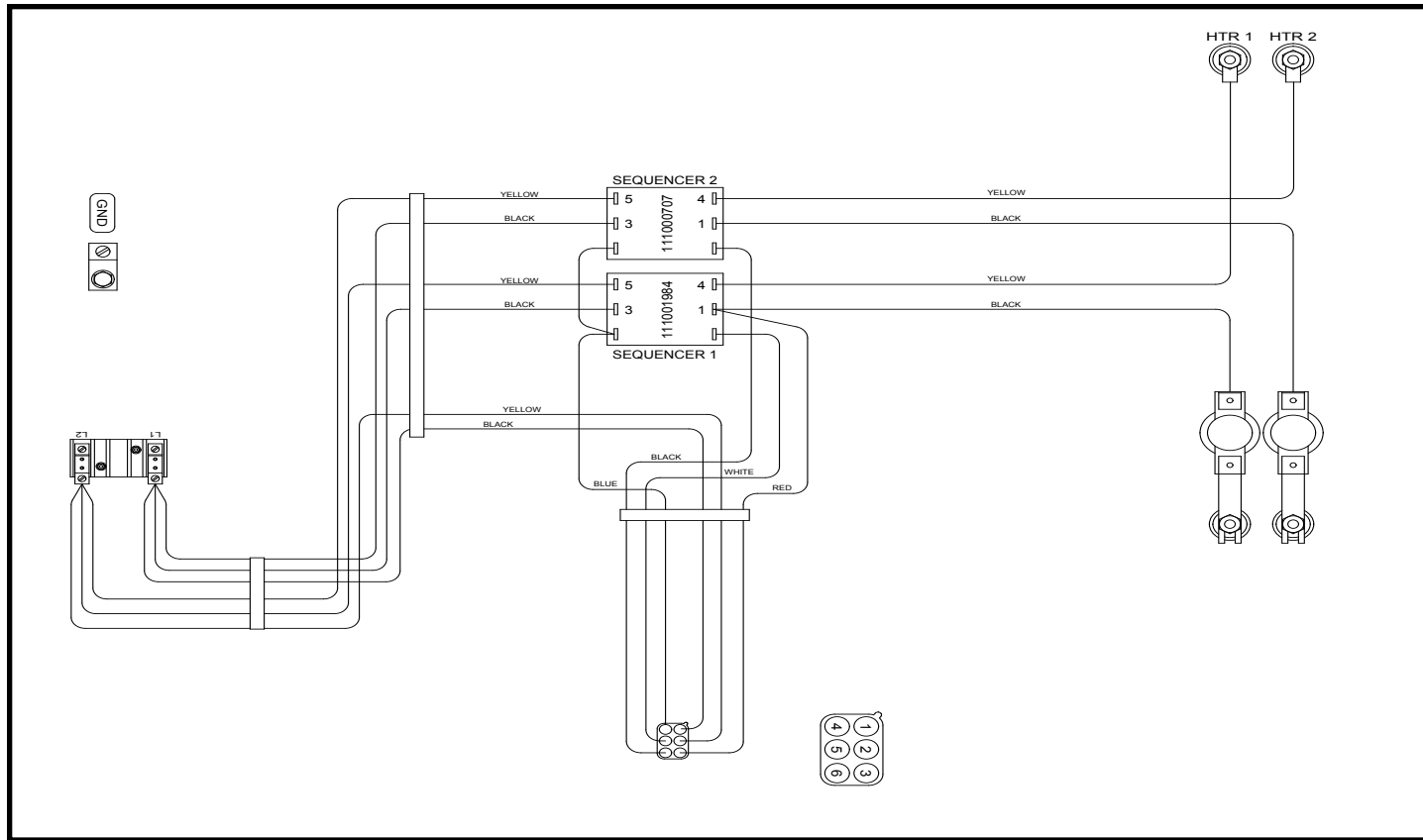


Figure 7 - 10KW

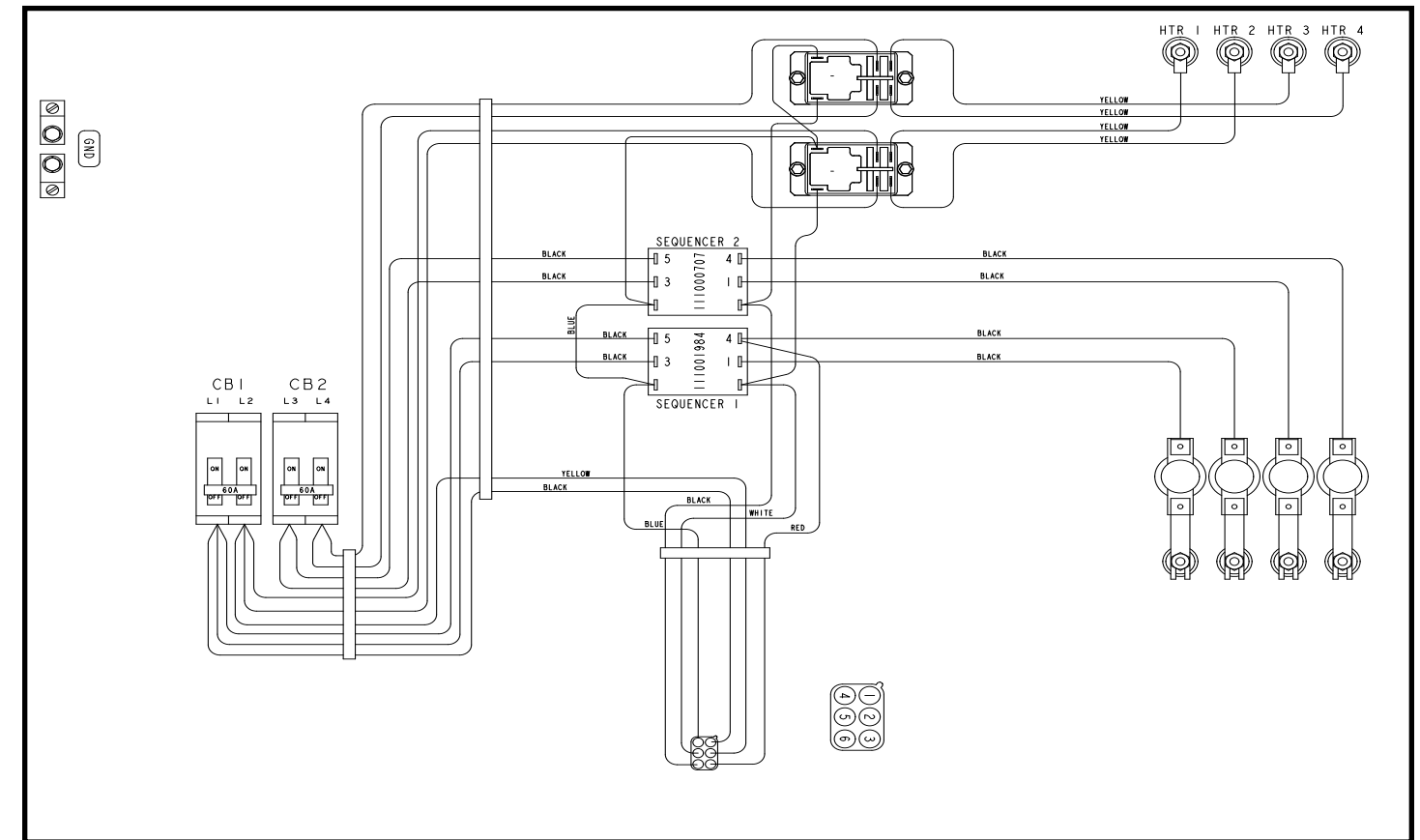


Figure 9 - 20 KW

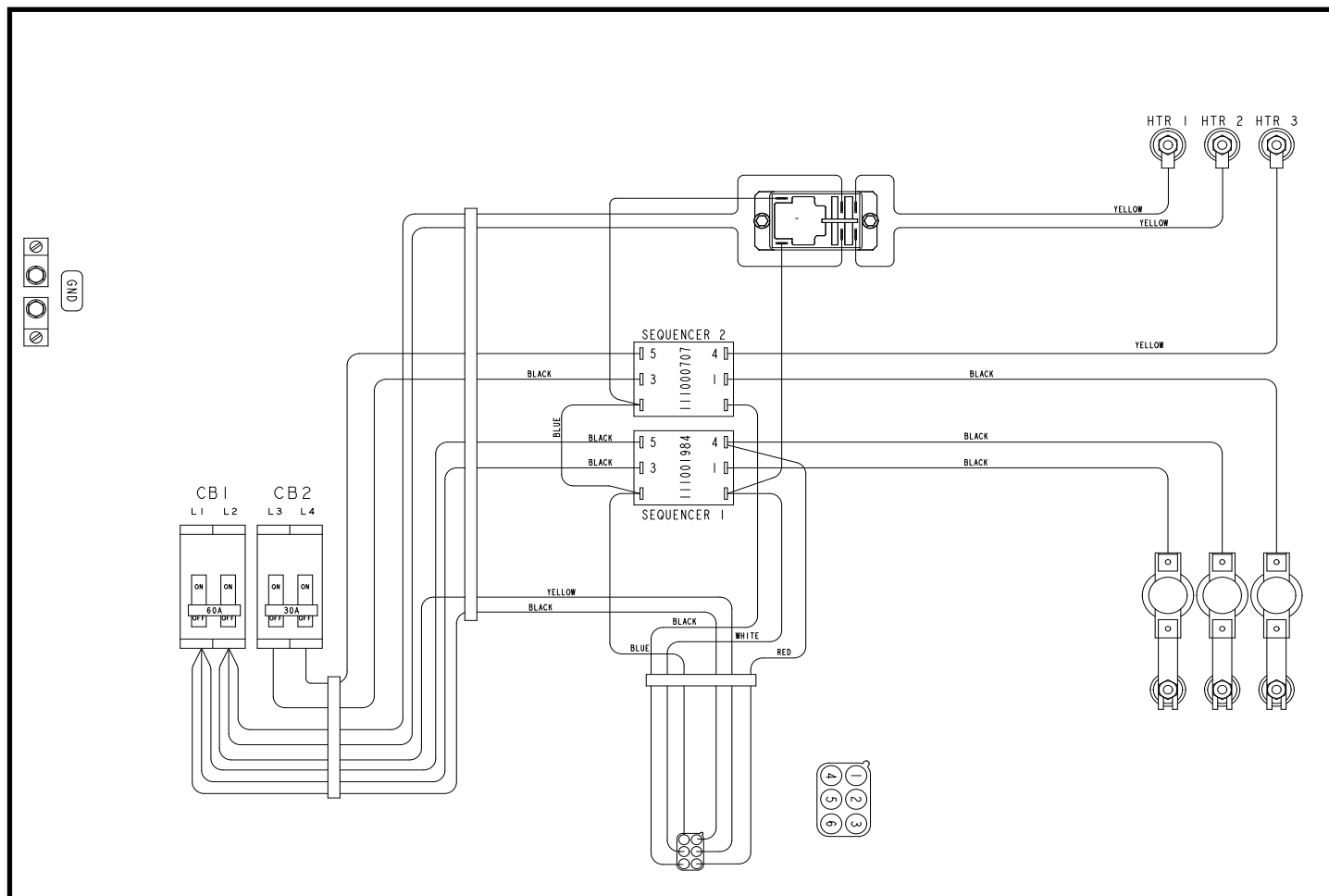


Figure 8 - 15KW