



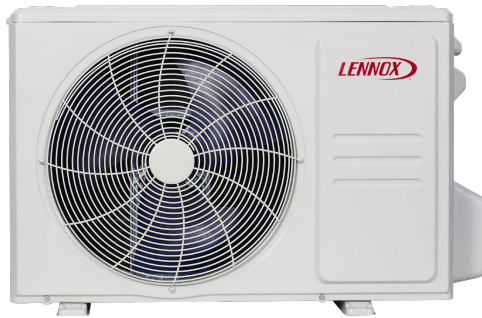
SUBMITTAL DATA – **WALL MOUNTED**  
**MHB018S4S-1P – MWHB018S4-1P**  
 SINGLE ZONE MINI-SPLIT HEAT PUMP

**Job:** \_\_\_\_\_  
**Location:** \_\_\_\_\_  
**Schedule No.:** \_\_\_\_\_  
**System Designation:** \_\_\_\_\_

**Engineer:** \_\_\_\_\_  
**Architect:** \_\_\_\_\_  
**Date:** \_\_\_\_\_  
**For:**  Reference  Approval  Review  Construction

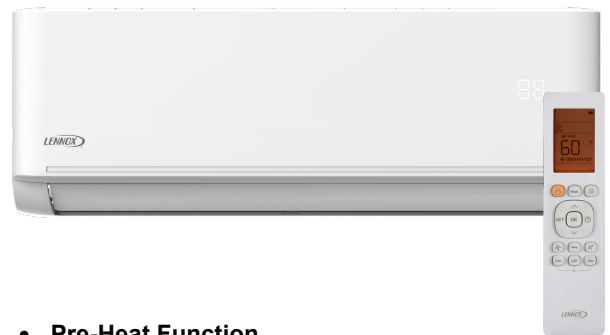
**FEATURES**

**Outdoor Unit: MHB018S4S-1P**



- DC Inverter Control
- Compressor Overcurrent Protection
- Defrost Control

**Indoor Unit: MWHB018S4-1P**



- Pre-Heat Function
- Auto Restart
- Three Speed Fan
- Flare Connections
- Multi-Refrigerant Outlet
- LED Readout
- Wireless Remote Included

**PIPING**

**Line Set and Elevation Guidelines**

Maximum Line Set Length ft. (m)	98 (30)
Maximum Elevation - Outdoor Unit Below/Above Indoor Unit ft. (m)	66 (20)
Liquid Line Set Diameter (in.)	1/4
Gas Line Set Diameter (in.)	1/2
Pre-Charged (ft.)	25
Additional Charge Per Ft. (oz.)	0.16

**PRODUCT WARRANTY**

Compressor – Seven year limited warranty  
 All other covered components - Five year limited warranty

**OPTIONAL ACCESSORIES**

Non-Programmable Controller (M0STAT61Q-1)  
 Programmable Controller (M0STAT64Q-2)  
 Hail Guard Set (M9GARD19Q-1/24M81)



NOTE – Due to Lennox' ongoing commitment to quality, Specifications, Ratings, and Dimensions are subject to change without notice and without incurring liability. Improper installation, adjustment, alteration, service or maintenance can cause property damage or personal injury. Installation and service must be performed by a qualified installer and servicing agency.



# SUBMITTAL DATA - WALL MOUNTED

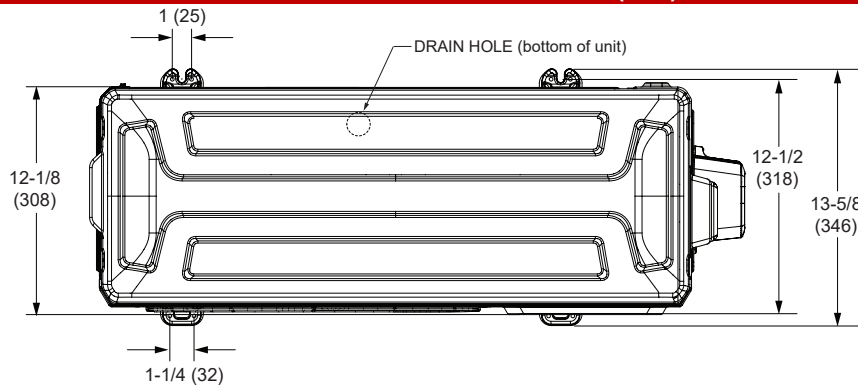
## MHB018S4S-1P - MWHB018S4-1P

### SINGLE ZONE MINI-SPLIT HEAT PUMP

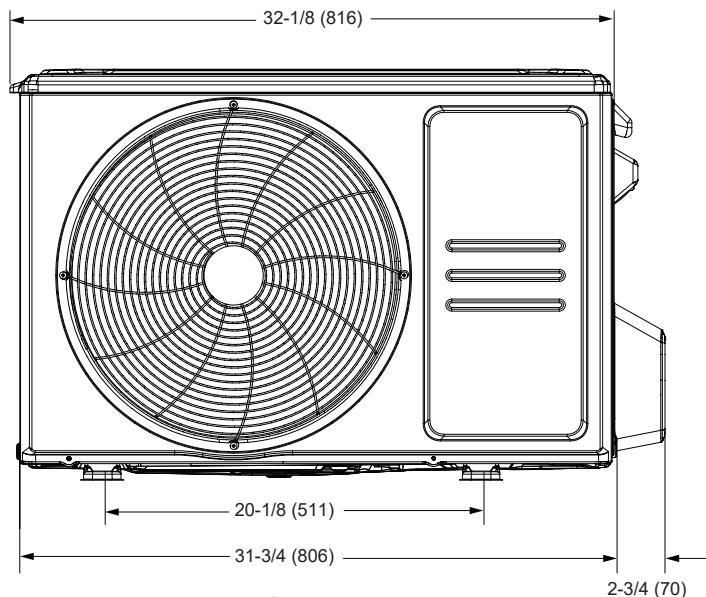
#### OUTDOOR SPECIFICATIONS

PERFORMANCE		GENERAL DATA	
Cooling Capacity (Btu/h) <sup>1</sup>	18,000	Connection Ratio (%)	100%
EER2	11.0	Max. # of Indoor Units	1 unit
SEER2	19.5	Sound Data (dBA)	57
Heating Capacity (Btu/h) <sup>1</sup>	18,800	Refrigerant type	R-410A
HSPF2	8.7	Factory refrigerant charge	2 lbs. 16 oz.
Outdoor Fan Total Air Volume (CFM)	1,235	DIMENSIONS	
Ambient Temperature Operating Range		Unit Dimensions (in)	Height
Cooling	5°F - 122°F		21-7/8
Heating	5°F - 86°F		Width
			32-1/8
			Depth
			12-1/2
ELECTRICAL DATA		Shipping Weight (lb)	80
Power Supply (V/Hz/Φ)	208/230/60/1	Net Weight (lb)	74
Minimum Circuit Ampacity (A)	15	NOTES	
Maximum Overcurrent Protection (A)	20	1. Cooling and Heating Capacity data is rated at the following conditions:	
Outdoor Fan Motor RLA (A)	0.4	Cooling: 80°FDB / 67°FWB Indoor, 95°FDB Outdoor	
No. of Compressors	1	Heating: 70°FDB Indoor, 47°FDB / 43°FWB Outdoor	

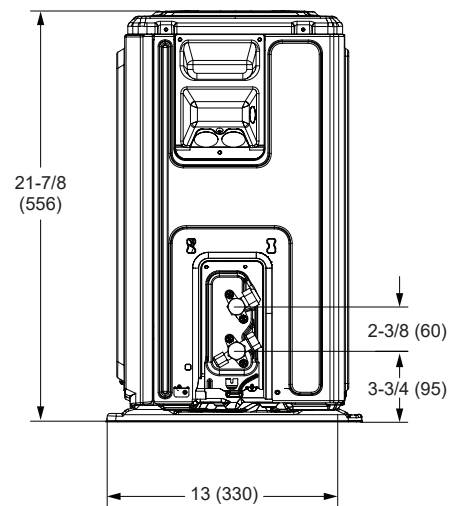
#### OUTDOOR DIMENSIONAL DRAWINGS - INCHES (MM)



TOP VIEW



FRONT VIEW



SIDE VIEW

NOTE - Due to Lennox' ongoing commitment to quality, Specifications, Ratings, and Dimensions are subject to change without notice and without incurring liability. Improper installation, adjustment, alteration, service or maintenance can cause property damage or personal injury. Installation and service must be performed by a qualified installer and servicing agency.  
495982 (202305) ©2023 Lennox Industries, Inc.



SUBMITTAL DATA - **WALL-MOUNTED**

**MHB018S4S-1P - MWHB018S4-1P**

SINGLE ZONE MINI-SPLIT HEAT PUMP

**INDOOR SPECIFICATIONS**

**PERFORMANCE**

Airflow (CFM)	High	459
	Medium	329
	Low	271
Sound Pressure (dBA)	High	45
	Medium	38
	Low	30

**ELECTRICAL DATA**

Power Supply (V/Hz/Φ)	Supplied by ODU
Rated load amps (RLA)	7.50
Power Output (W)	30

**DIMENSIONS**

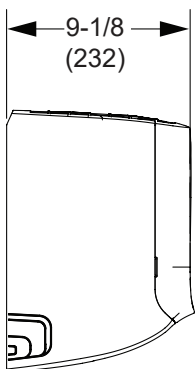
Unit Dimensions (in)	Height	12-3/4
	Width	38-1/4
	Depth	9-1/8

Unit Net/Shipping Weight (lb)	25/32
-------------------------------	-------

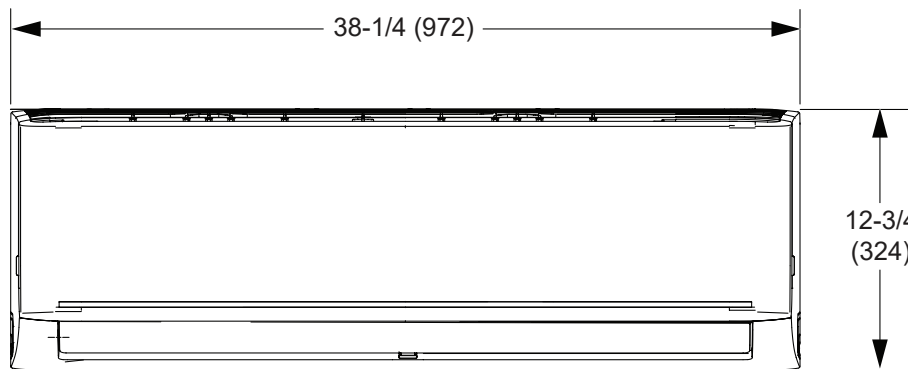
**PIPING**

Liquid/Gas O.D. Flare (in.)	1/4 , 1/2
Drain Connection O.D. (in.)	

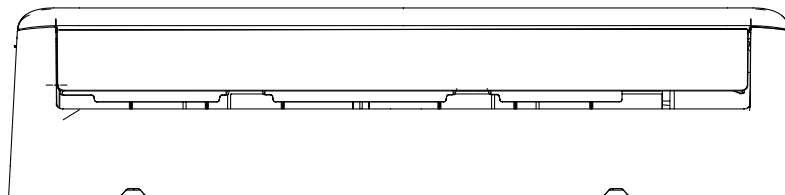
**INDOOR DIMENSIONAL DRAWINGS - INCHES (MM)**



**SIDE VIEW**



**FRONT VIEW**



**BOTTOM VIEW**

NOTE – Due to Lennox' ongoing commitment to quality, Specifications, Ratings, and Dimensions are subject to change without notice and without incurring liability. Improper installation, adjustment, alteration, service or maintenance can cause property damage or personal injury. Installation and service must be performed by a qualified installer and servicing agency.  
 495982 (202305) ©2023 Lennox Industries, Inc.