



©2024 Lennox Industries Inc.
Dallas, Texas, États-Unis



INSTRUCTIONS D'INSTALLATION ET D'UTILISATION

MLB et MPC UNITÉS EXTÉRIEURES SIMPLE ZONE

UNITÉS EXTÉRIEURES MULTI-ZONES SANS CONDUITS
(208/230 V)
507549-08CF 04/2024
Remplace 02/2024

Table des matières

Généralités	1
Pièces incluses	2
Numéro de modèle	2
Composantes d'un système multi-zones typique	3
Dimensions de l'unité extérieure	4
Dégagements pour l'unité extérieure	4
Combinaisons de systèmes multi-zones MLB et MPC	6
Connexion et utilisation des jeux de conduites des systèmes MLB et MPC	12
Couple de serrage des capuchons et dispositifs de fixation	20
Installation de l'unité extérieure	20
<i>Considérations de placement</i>	20
<i>Protection contre les rayons directs du soleil, la neige et la glace</i>	21
<i>Vents dominants</i>	22
<i>Protection des conduites de réfrigérant enterrées</i>	22
<i>Conduite de condensat de l'unité extérieure</i>	22
<i>Fixation de l'unité extérieure</i>	23
Connexions des conduites de réfrigérant	23
Installation de l'unité intérieure	25
<i>Connexion d'unités intérieures de différentes capacités</i>	25
Test de détection des fuites et évacuation	27
<i>Détection des fuites</i>	27
<i>Procédure d'évacuation triple</i>	27
Câblage	28
<i>Unité extérieure</i>	28
<i>Unités intérieures</i>	28
<i>Fonction de câblage automatique et de correction de conduites</i>	28
Mise en service de l'unité	36
Charge de réfrigérant	36
Codes d'erreur des unités extérieures multi-zones	36

**CE MANUEL DOIT RESTER EN POSSESSION
DU PROPRIÉTAIRE DE L'APPAREIL POUR
RÉFÉRENCE ULTÉRIEURE.**

⚠ AVERTISSEMENT

Une installation, un réglage, une modification, un service ou un entretien incorrect peut causer des dommages matériels, des blessures ou la mort.

L'installation et l'entretien doivent être assurés par un installateur de CVAC professionnel certifié (ou l'équivalent) ou par une société de service.

⚠ AVERTISSEMENT

La loi américaine sur la lutte contre la pollution atmosphérique (*Clean Air Act*) de 1990 interdit la mise à l'air volontaire du réfrigérant (CFC, HFC et HCFC) à partir de juillet 1992. Des méthodes approuvées de récupération, de recyclage ou de régénération doivent être utilisées. La non conformité entraîne l'imposition éventuelle d'amendes et/ou l'emprisonnement.

⚠ ATTENTION

Comme avec tout équipement mécanique, le contact avec des bords coupants en tôle peut causer des blessures. Faire attention en manipulant cet équipement et porter des gants et des vêtements de protection.

Généralités

Se reporter aux Spécifications (EHB) pour plus d'information sur le produit.

Le but de ces instructions est de donner des directives générales, mais en aucun cas de supplanter les codes locaux ou nationaux. Les autorités compétentes doivent être consultées avant l'installation.

Les unités murales MWMC, M22A, M33C, MMDB, MCFB et MFMA sont installées de pair avec une thermopompe extérieure multi-zones de deux à cinq ports pour créer un système mural sans conduits qui utilise du réfrigérant HFC-410A.

REMARQUE : Les unités extérieures ne peuvent être installées que sans abri à l'extérieur.




Pièces incluses

Vérifier que les composantes n'ont pas été endommagées pendant le transport. En cas de dommage, contacter immédiatement le dernier transporteur.

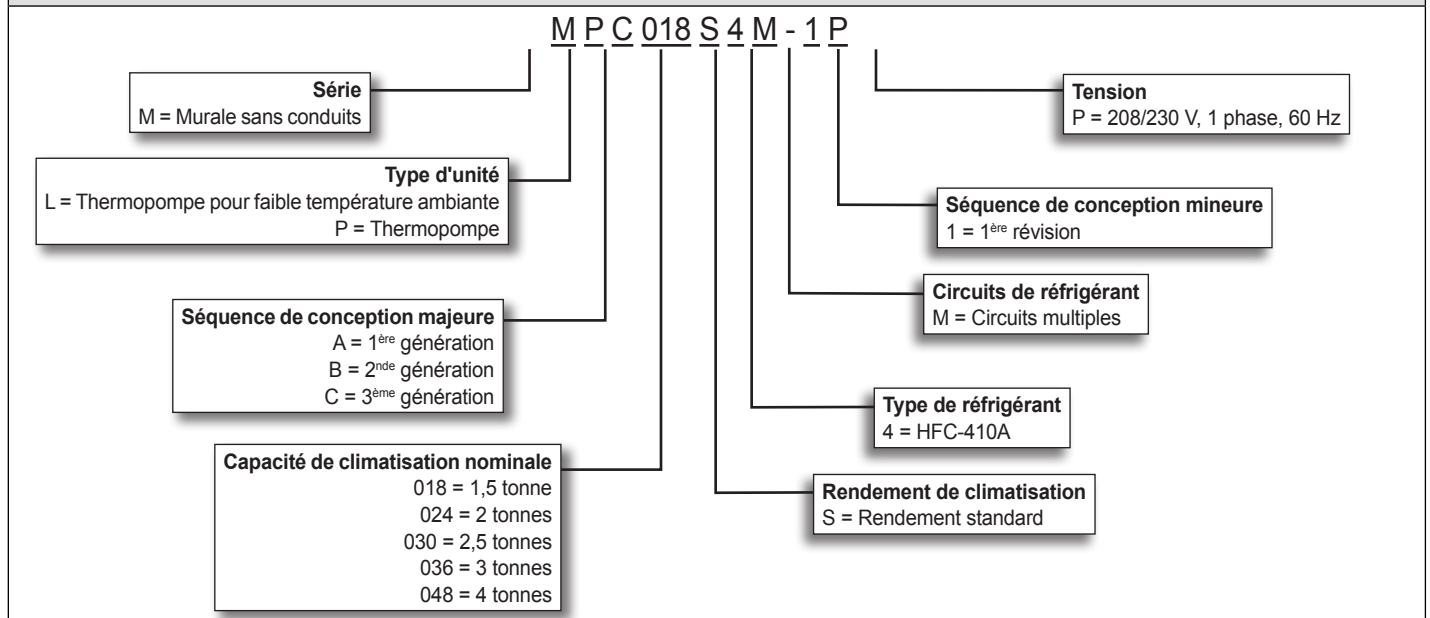
Contenu du carton :

1 — **Unité intérieure assemblée** (l'unité intérieure assemblée comprend les accessoires spécifiques à l'unité. Voir la section de chaque unité intérieure de ce manuel pour voir les accessoires compris avec cette unité).

1 - **Unité extérieure assemblée avec les éléments suivants :**

Pièces	Figure	Qté	Pièces	Figure	Qté	Pièces	Figure	Qté
Connecteur de drainage		1	Instructions d'installation		1	Joint		1

Numéro de modèle



Composantes d'un système multi-zones typique

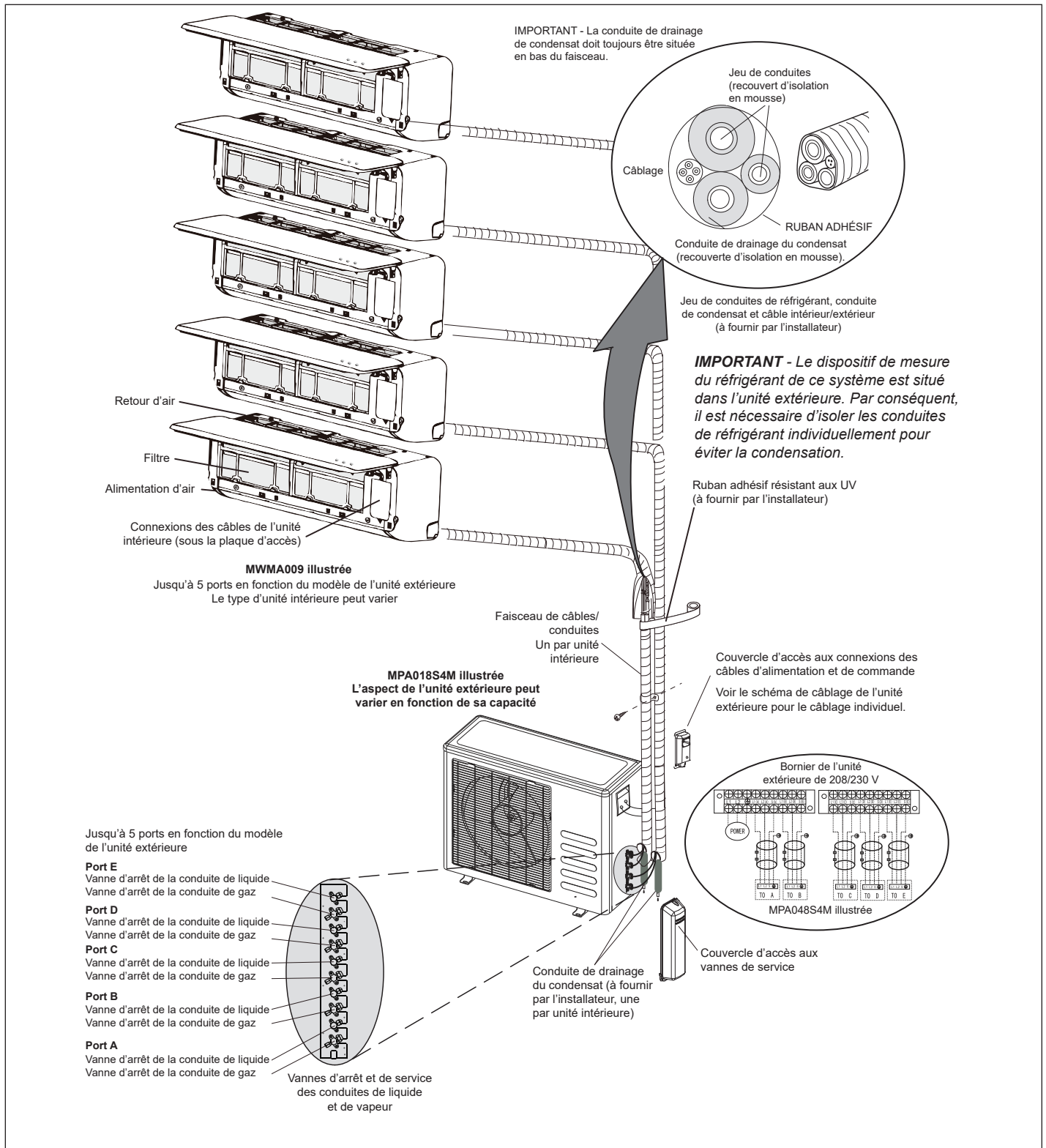
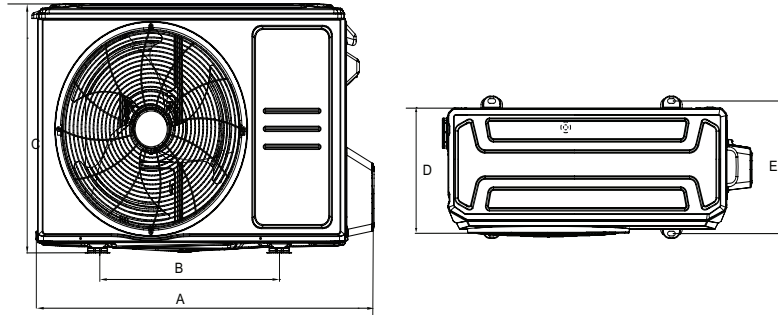


Figure 1. Système typique illustré
(L'aspect de l'unité intérieure dépend du modèle)

Dimensions de l'unité extérieure



Modèle	Unité de mesure	A	B	C	D	E
MPC018S4M-*P	pouces	39	26-1/8	26-1/2	12-3/4	13-3/4
	mm	991	664	673	342	345
MPC024S4M-*P MPC030S4M-*P MPC036S4M-*P	pouces	40-3/4	26-1/2	31-7/8	16-1/8	15-7/8
	mm	1035	673	810	410	403
MPC048S4M-*P	pouces	41-3/4	25	52-1/2	16-3/8	17-5/8
	mm	1060	635	1334	416	448
MLB018S4M-*P MLB030S4M-*P	pouces	40-5/8	26-1/2	31-7/8	15-1/8	15-7/8
	mm	1035	673	810	410	403
MLB036S4M-*P MLB048S4M-*P	pouces	41-3/4	25	52-1/2	16-3/8	17-5/8
	mm	1060	635	1334	416	448

Figure 2. Dimensions de l'unité extérieure - pouces (mm)

Dégagements pour l'unité extérieure

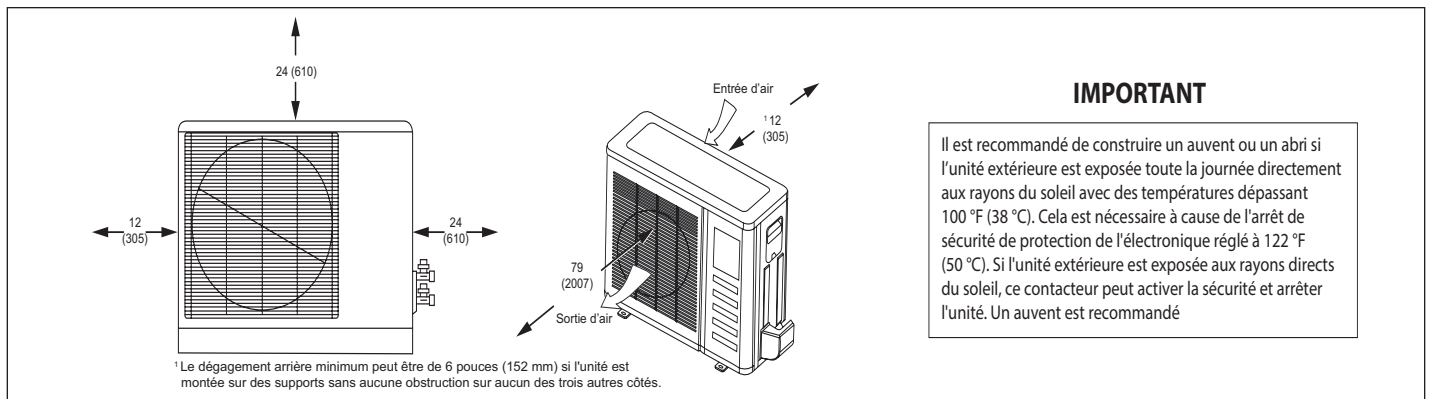


Figure 3. Dégagements de l'unité extérieure - pouces (mm)

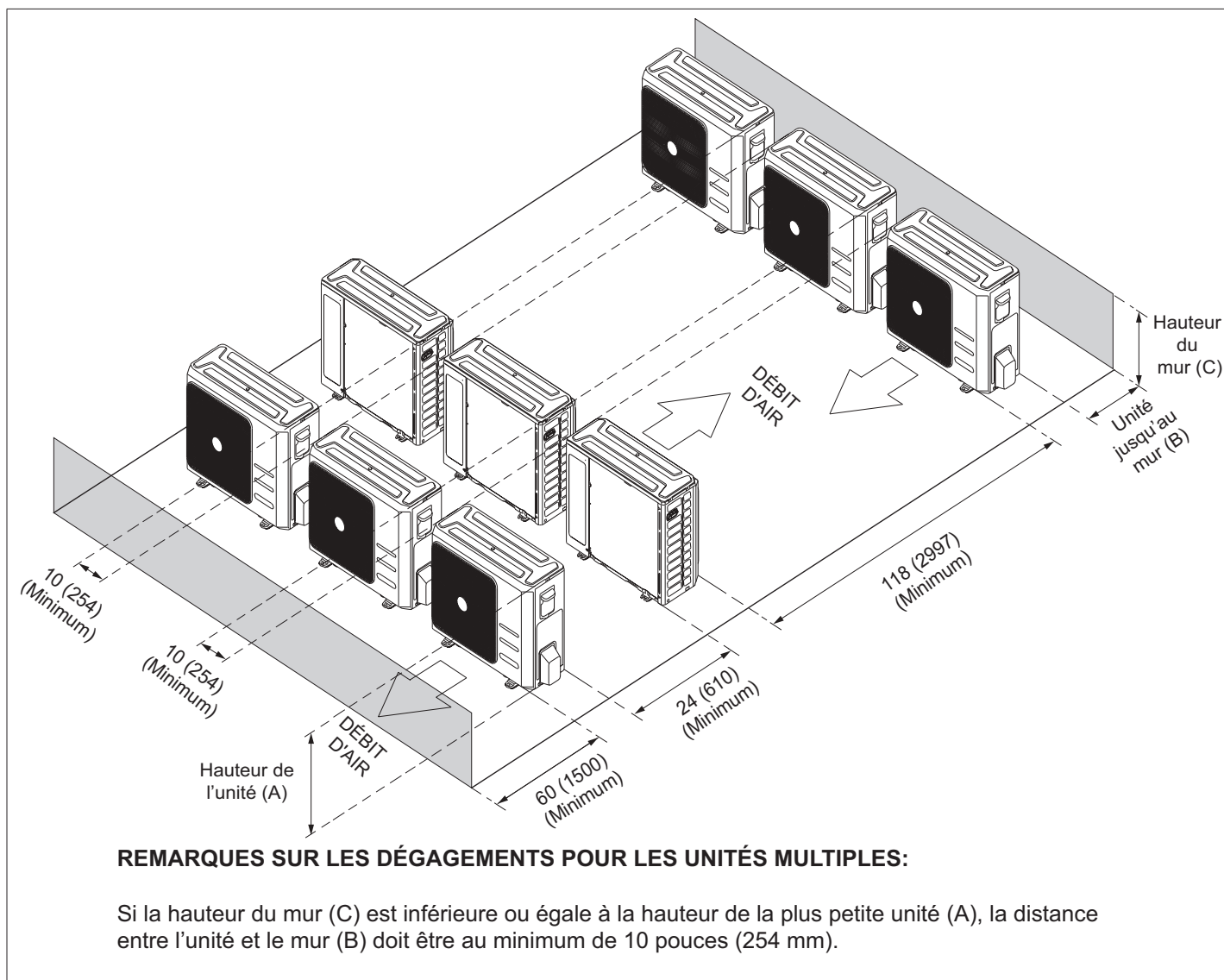


Figure 4. Dégage­ments des unités extérieures multiples - pouces (mm)

Combinaisons de systèmes multi-zones MLB et MPC

Tableau 1. Combinaisons de systèmes multi-zones MLB et MPC

REMARQUE - Avec les systèmes multi-zones, la capacité totale de toutes les unités intérieures doit être comprise entre 66 et 133 % de la capacité de l'unité extérieure.

N° de modèle de l'unité extérieure	Nombre de zones	Capacité des unités intérieures					Capacité de climatisation nominale à la capacité nominale du système (Btuh)					Capacité de chauffage nominale à la capacité nominale du système (Btuh)				
		N° 1	N° 2	N° 3	N° 4	N° 5	N° 1	N° 2	N° 3	N° 4	N° 5	N° 1	N° 2	N° 3	N° 4	N° 5
MLB et MPC018S4M	2	6K	6K	---	---	---	6,000	6,000	---	---	---	6,700	6,700	---	---	---
		9K	6K	---	---	---	9,000	6,000	---	---	---	9,900	6,600	---	---	---
		12K	6K	---	---	---	12,000	6,000	---	---	---	12,500	6,300	---	---	---
		9K	9K	---	---	---	9,000	9,000	---	---	---	9,500	9,500	---	---	---
		12K	9K	---	---	---	11,000	8,000	---	---	---	11,500	8,600	---	---	---
		12K	12K	---	---	---	10,000	10,000	---	---	---	10,100	10,100	---	---	---
MLB et MPC024S4M	2	12K	6K	---	---	---	12,000	6,000	---	---	---	12,900	6,500	---	---	---
		18K	6K	---	---	---	17,000	5,000	---	---	---	18,900	6,300	---	---	---
		9K	9K	---	---	---	9,000	9,000	---	---	---	9,700	9,700	---	---	---
		12K	9K	---	---	---	11,000	8,000	---	---	---	12,900	9,700	---	---	---
		18K	9K	---	---	---	16,000	8,000	---	---	---	18,300	9,200	---	---	---
		12K	12K	---	---	---	11,000	11,000	---	---	---	12,600	12,600	---	---	---
		18K	12K	---	---	---	15,000	10,000	---	---	---	17,400	11,600	---	---	---
		18K	18K	---	---	---	14,000	14,000	---	---	---	14,800	14,800	---	---	---
	3	6K	6K	6K	---	---	7,000	7,000	7,000	---	---	8,500	8,500	8,500	---	---
		9K	6K	6K	---	---	10,000	7,000	7,000	---	---	11,500	7,700	7,700	---	---
		12K	6K	6K	---	---	13,000	6,000	6,000	---	---	13,900	7,000	7,000	---	---
		18K	6K	6K	---	---	17,000	6,000	6,000	---	---	17,500	5,900	5,900	---	---
		9K	9K	6K	---	---	9,000	9,000	6,000	---	---	9,500	9,500	6,000	---	---
		12K	9K	6K	---	---	12,000	9,000	6,000	---	---	12,700	9,500	6,400	---	---
		18K	9K	6K	---	---	16,000	8,000	5,000	---	---	16,100	8,100	5,400	---	---
		12K	12K	6K	---	---	11,000	11,000	6,000	---	---	11,700	11,700	5,900	---	---
		18K	12K	6K	---	---	15,000	10,000	5,000	---	---	15,000	10,000	5,000	---	---
		9K	9K	9K	---	---	9,000	9,000	9,000	---	---	9,500	9,500	9,500	---	---
		12K	9K	9K	---	---	11,000	9,000	9,000	---	---	11,700	8,800	8,800	---	---
		18K	9K	9K	---	---	15,000	7,000	7,000	---	---	15,000	7,500	7,500	---	---
12K	12K	9K	---	---	11,000	11,000	8,000	---	---	10,800	10,800	8,100	---	---		
12K	12K	12K	---	---	10,000	10,000	10,000	---	---	10,000	10,000	10,000	---	---		
MLB et MPC030S4M	2	12K	6K	---	---	---	12,000	6,000	---	---	---	12,900	6,500	---	---	---
		18K	6K	---	---	---	17,000	5,000	---	---	---	18,900	6,300	---	---	---
		9K	9K	---	---	---	9,000	9,000	---	---	---	9,700	9,700	---	---	---
		12K	9K	---	---	---	11,000	8,000	---	---	---	12,900	9,700	---	---	---
		18K	9K	---	---	---	16,000	8,000	---	---	---	18,300	9,200	---	---	---
		12K	12K	---	---	---	11,000	11,000	---	---	---	12,600	12,600	---	---	---
		18K	12K	---	---	---	15,000	10,000	---	---	---	17,400	11,600	---	---	---
		18K	18K	---	---	---	14,000	14,000	---	---	---	14,800	14,800	---	---	---
	3	6K	6K	6K	---	---	7,000	7,000	7,000	---	---	8,500	8,500	8,500	---	---
		9K	6K	6K	---	---	10,000	7,000	7,000	---	---	11,500	7,700	7,700	---	---
		12K	6K	6K	---	---	13,000	6,000	6,000	---	---	13,900	7,000	7,000	---	---
		18K	6K	6K	---	---	17,000	6,000	6,000	---	---	17,500	5,900	5,900	---	---
		9K	9K	6K	---	---	10,000	10,000	6,000	---	---	10,500	10,500	7,000	---	---
		12K	9K	6K	---	---	12,000	9,000	6,000	---	---	12,700	9,500	6,400	---	---
		18K	9K	6K	---	---	16,000	8,000	5,000	---	---	16,100	8,100	5,400	---	---
		12K	12K	6K	---	---	11,000	11,000	6,000	---	---	11,700	11,700	5,900	---	---
		18K	12K	6K	---	---	15,000	10,000	5,000	---	---	15,000	10,000	5,000	---	---
		9K	9K	9K	---	---	9,000	9,000	9,000	---	---	9,500	9,500	9,500	---	---
		12K	9K	9K	---	---	11,000	9,000	9,000	---	---	11,700	8,800	8,800	---	---
		18K	9K	9K	---	---	15,000	7,000	7,000	---	---	15,000	7,500	7,500	---	---
12K	12K	9K	---	---	11,000	11,000	8,000	---	---	10,800	10,800	8,100	---	---		
12K	12K	12K	---	---	10,000	10,000	10,000	---	---	10,000	10,000	10,000	---	---		

Tableau 1. Combinaisons de systèmes multi-zones MLB et MPC

REMARQUE - Avec les systèmes multi-zones, la capacité totale de toutes les unités intérieures doit être comprise entre 66 et 133 % de la capacité de l'unité extérieure.

N° de modèle de l'unité extérieure	Nombre de zones	Capacité des unités intérieures					Capacité de climatisation nominale à la capacité nominale du système (Btuh)					Capacité de chauffage nominale à la capacité nominale du système (Btuh)				
		N° 1	N° 2	N° 3	N° 4	N° 5	N° 1	N° 2	N° 3	N° 4	N° 5	N° 1	N° 2	N° 3	N° 4	N° 5
MLB et MPC036S4M	2	18K	6K	---	---	---	18,000	6,000	---	---	---	19,100	6,400	---	---	---
		24K	6K	---	---	---	22,000	6,000	---	---	---	24,200	6,100	---	---	---
		18K	9K	---	---	---	17,000	9,000	---	---	---	18,700	9,400	---	---	---
		24K	9K	---	---	---	21,000	8,000	---	---	---	23,300	8,800	---	---	---
		12K	12K	---	---	---	12,000	12,000	---	---	---	12,800	12,800	---	---	---
		18K	12K	---	---	---	17,000	11,000	---	---	---	18,200	12,100	---	---	---
		24K	12K	---	---	---	20,000	10,000	---	---	---	22,200	11,100	---	---	---
		18K	18K	---	---	---	15,000	15,000	---	---	---	16,600	16,600	---	---	---
		24K	18K	---	---	---	18,000	13,000	---	---	---	19,300	14,500	---	---	---
	24K	24K	---	---	---	15,000	15,000	---	---	---	15,700	15,700	---	---	---	
	3	12K	6K	6K	---	---	12,900	6,500	6,500	---	---	13,600	6,800	6,800	---	---
		18K	6K	6K	---	---	18,000	6,000	6,000	---	---	18,900	6,300	6,300	---	---
		24K	6K	6K	---	---	22,000	5,500	5,500	---	---	23,200	5,800	5,800	---	---
		12K	9K	6K	---	---	12,500	9,300	6,200	---	---	13,100	9,800	6,600	---	---
		18K	9K	6K	---	---	17,200	8,600	5,700	---	---	18,100	9,100	6,100	---	---
		24K	9K	6K	---	---	21,100	7,900	5,300	---	---	22,200	8,400	5,600	---	---
		12K	12K	6K	---	---	12,000	12,000	6,000	---	---	12,600	12,600	6,300	---	---
		18K	12K	6K	---	---	16,500	11,000	5,500	---	---	17,400	11,600	5,800	---	---
		24K	12K	6K	---	---	20,100	10,000	5,000	---	---	21,200	10,600	5,300	---	---
		18K	18K	6K	---	---	15,100	15,100	5,000	---	---	15,900	15,900	5,300	---	---
		24K	18K	6K	---	---	18,100	13,600	4,500	---	---	19,200	14,400	4,800	---	---
		9K	9K	9K	---	---	9,300	9,300	9,300	---	---	9,800	9,800	9,800	---	---
		12K	9K	9K	---	---	12,000	9,000	9,000	---	---	12,600	9,500	9,500	---	---
		18K	9K	9K	---	---	16,500	8,300	8,300	---	---	17,400	8,700	8,700	---	---
		24K	9K	9K	---	---	20,100	7,500	7,500	---	---	21,200	8,000	8,000	---	---
		12K	12K	9K	---	---	11,500	11,500	8,600	---	---	12,100	12,100	9,100	---	---
		18K	12K	9K	---	---	15,800	10,500	7,900	---	---	16,700	11,100	8,400	---	---
		24K	12K	9K	---	---	19,100	9,600	7,200	---	---	20,200	10,100	7,600	---	---
	18K	18K	9K	---	---	14,300	14,300	7,200	---	---	15,200	15,200	7,600	---	---	
	12K	12K	12K	---	---	11,000	11,000	11,000	---	---	11,600	11,600	11,600	---	---	
	18K	12K	12K	---	---	15,100	10,000	10,000	---	---	15,900	10,600	10,600	---	---	
	24K	12K	12K	---	---	18,100	9,100	9,100	---	---	19,200	9,600	9,600	---	---	
	18K	18K	12K	---	---	13,600	13,600	9,100	---	---	14,400	14,400	9,600	---	---	
	4	6K	6K	6K	6K	---	7,200	7,200	7,200	7,200	---	7,700	7,700	7,700	7,700	---
		9K	6K	6K	6K	---	10,400	6,900	6,900	6,900	---	11,000	7,400	7,400	7,400	---
		12K	6K	6K	6K	---	13,200	6,600	6,600	6,600	---	14,000	7,000	7,000	7,000	---
		18K	6K	6K	6K	---	17,900	6,000	6,000	6,000	---	19,000	6,400	6,400	6,400	---
		24K	6K	6K	6K	---	21,400	5,300	5,300	5,300	---	22,600	5,700	5,700	5,700	---
		9K	9K	6K	6K	---	9,900	9,900	6,600	6,600	---	10,500	10,500	7,000	7,000	---
		12K	9K	6K	6K	---	12,600	9,400	6,300	6,300	---	13,300	10,000	6,700	6,700	---
		18K	9K	6K	6K	---	17,000	8,500	5,700	5,700	---	18,000	9,000	6,000	6,000	---
		24K	9K	6K	6K	---	20,100	7,500	5,000	5,000	---	21,200	8,000	5,300	5,300	---
12K		12K	6K	6K	---	12,000	12,000	6,000	6,000	---	12,700	12,700	6,400	6,400	---	
18K		12K	6K	6K	---	16,000	10,700	5,300	5,300	---	17,000	11,300	5,700	5,700	---	
24K		12K	6K	6K	---	18,900	9,400	4,700	4,700	---	19,900	10,000	5,000	5,000	---	
9K		9K	9K	6K	---	9,400	9,400	9,400	6,300	---	10,000	10,000	10,000	6,700	---	
12K		9K	9K	6K	---	12,000	9,000	9,000	6,000	---	12,700	9,500	9,500	6,400	---	
18K		9K	9K	6K	---	16,000	8,000	8,000	5,300	---	17,000	8,500	8,500	5,700	---	
24K		9K	9K	6K	---	18,900	7,100	7,100	4,700	---	19,900	7,500	7,500	5,000	---	
12K		12K	9K	6K	---	11,300	11,300	8,500	5,700	---	12,000	12,000	9,000	6,000	---	
18K		12K	9K	6K	---	15,100	10,100	7,500	5,000	---	15,900	10,600	8,000	5,300	---	
12K	12K	12K	6K	---	10,700	10,700	10,700	5,300	---	11,300	11,300	11,300	5,700	---		
18K	12K	12K	6K	---	14,100	9,400	9,400	4,700	---	14,900	10,000	10,000	5,000	---		

Tableau 1. Combinaisons de systèmes multi-zones MLB et MPC

REMARQUE - Avec les systèmes multi-zones, la capacité totale de toutes les unités intérieures doit être comprise entre 66 et 133 % de la capacité de l'unité extérieure.

N° de modèle de l'unité extérieure	Nombre de zones	Capacité des unités intérieures					Capacité de climatisation nominale à la capacité nominale du système (Btuh)					Capacité de chauffage nominale à la capacité nominale du système (Btuh)				
		N° 1	N° 2	N° 3	N° 4	N° 5	N° 1	N° 2	N° 3	N° 4	N° 5	N° 1	N° 2	N° 3	N° 4	N° 5
MLB et MPC036S4M	4	9K	9K	9K	9K	---	9,000	9,000	9,000	9,000	---	9,500	9,500	9,500	9,500	---
		12K	9K	9K	9K	---	11,300	8,500	8,500	8,500	---	12,000	9,000	9,000	9,000	---
		18K	9K	9K	9K	---	15,100	7,500	7,500	7,500	---	15,900	8,000	8,000	8,000	---
		12K	12K	9K	9K	---	10,700	10,700	8,000	8,000	---	11,300	11,300	8,500	8,500	---
		18K	12K	9K	9K	---	14,100	9,400	7,100	7,100	---	14,900	10,000	7,500	7,500	---
		12K	12K	12K	9K	---	10,100	10,100	10,100	7,500	---	10,600	10,600	10,600	8,000	---
		12K	12K	12K	12K	---	9,400	9,400	9,400	9,400	---	10,000	10,000	10,000	10,000	---
MLB et MPC048S4M	2	24K	9K	---	---	---	24,000	9,000	---	---	---	25,100	9,400	---	---	---
		30K	9K	---	---	---	29,000	8,000	---	---	---	30,400	9,100	---	---	---
		36K	9K	---	---	---	33,000	8,000	---	---	---	34,500	8,600	---	---	---
		24K	12K	---	---	---	23,000	11,000	---	---	---	24,800	12,400	---	---	---
		30K	12K	---	---	---	28,000	11,000	---	---	---	29,600	11,900	---	---	---
		36K	12K	---	---	---	31,000	10,000	---	---	---	33,200	11,100	---	---	---
		18K	18K	---	---	---	17,000	17,000	---	---	---	18,600	18,600	---	---	---
		24K	18K	---	---	---	22,000	17,000	---	---	---	23,700	17,800	---	---	---
		30K	18K	---	---	---	26,000	15,000	---	---	---	27,600	16,600	---	---	---
		36K	18K	---	---	---	28,000	14,000	---	---	---	30,000	15,000	---	---	---
		24K	24K	---	---	---	21,000	21,000	---	---	---	22,000	22,000	---	---	---
		30K	24K	---	---	---	23,000	18,000	---	---	---	25,000	20,000	---	---	---
		36K	24K	---	---	---	23,000	15,000	---	---	---	26,000	17,300	---	---	---
	30K	30K	---	---	---	19,000	19,000	---	---	---	21,700	21,700	---	---	---	
	3	24K	6K	6K	---	---	24,000	6,000	6,000	---	---	25,500	6,400	6,400	---	---
		30K	6K	6K	---	---	29,000	6,000	6,000	---	---	30,100	6,100	6,100	---	---
		36K	6K	6K	---	---	33,000	5,000	5,000	---	---	34,300	5,800	5,800	---	---
		24K	9K	6K	---	---	23,000	9,000	6,000	---	---	24,800	9,300	6,200	---	---
		30K	9K	6K	---	---	28,000	8,000	6,000	---	---	29,300	8,800	5,900	---	---
		36K	9K	6K	---	---	32,000	8,000	5,000	---	---	33,500	8,400	5,600	---	---
		18K	12K	6K	---	---	18,000	12,000	6,000	---	---	19,100	12,800	6,400	---	---
		24K	12K	6K	---	---	23,000	11,000	6,000	---	---	24,100	12,100	6,100	---	---
		30K	12K	6K	---	---	27,000	11,000	5,000	---	---	28,600	11,500	5,800	---	---
		36K	12K	6K	---	---	31,000	10,000	5,000	---	---	32,700	10,900	5,500	---	---
		18K	18K	6K	---	---	17,000	17,000	6,000	---	---	18,100	18,100	6,100	---	---
		24K	18K	6K	---	---	22,000	16,000	5,000	---	---	22,900	17,200	5,800	---	---
		30K	18K	6K	---	---	26,000	15,000	5,000	---	---	27,300	16,400	5,500	---	---
		36K	18K	6K	---	---	29,000	14,000	5,000	---	---	31,400	15,700	5,300	---	---
		24K	24K	6K	---	---	20,000	20,000	5,000	---	---	21,800	21,800	5,500	---	---
		30K	24K	6K	---	---	24,000	19,000	5,000	---	---	26,200	21,000	5,300	---	---
		18K	9K	9K	---	---	18,000	9,000	9,000	---	---	19,100	9,600	9,600	---	---
		24K	9K	9K	---	---	23,000	9,000	9,000	---	---	24,100	9,100	9,100	---	---
		30K	9K	9K	---	---	27,000	8,000	8,000	---	---	28,600	8,600	8,600	---	---
36K		9K	9K	---	---	31,000	8,000	8,000	---	---	32,700	8,200	8,200	---	---	
12K	12K	9K	---	---	12,000	12,000	9,000	---	---	13,200	13,200	9,900	---	---		
18K	12K	9K	---	---	18,000	12,000	9,000	---	---	18,600	12,400	9,300	---	---		
24K	12K	9K	---	---	22,000	11,000	8,000	---	---	23,500	11,800	8,800	---	---		
30K	12K	9K	---	---	26,000	11,000	8,000	---	---	27,900	11,200	8,400	---	---		
36K	12K	9K	---	---	30,000	10,000	7,000	---	---	32,100	10,700	8,100	---	---		
18K	18K	9K	---	---	17,000	17,000	8,000	---	---	17,600	17,600	8,800	---	---		
24K	18K	9K	---	---	21,000	16,000	8,000	---	---	22,300	16,800	8,400	---	---		
30K	18K	9K	---	---	25,000	15,000	7,000	---	---	26,700	16,100	8,100	---	---		
36K	18K	9K	---	---	28,000	14,000	7,000	---	---	30,900	15,500	7,800	---	---		
24K	24K	9K	---	---	20,000	20,000	7,000	---	---	21,400	21,400	8,100	---	---		
30K	24K	9K	---	---	23,000	19,000	7,000	---	---	25,700	20,600	7,800	---	---		

Tableau 1. Combinaisons de systèmes multi-zones MLB et MPC

REMARQUE - Avec les systèmes multi-zones, la capacité totale de toutes les unités intérieures doit être comprise entre 66 et 133 % de la capacité de l'unité extérieure.

N° de modèle de l'unité extérieure	Nombre de zones	Capacité des unités intérieures					Capacité de climatisation nominale à la capacité nominale du système (Btuh)					Capacité de chauffage nominale à la capacité nominale du système (Btuh)				
		N° 1	N° 2	N° 3	N° 4	N° 5	N° 1	N° 2	N° 3	N° 4	N° 5	N° 1	N° 2	N° 3	N° 4	N° 5
MLB et MPC048S4M	3	12K	12K	12K	---	---	12,000	12,000	12,000	---	---	12,800	12,800	12,800	---	---
		18K	12K	12K	---	---	17,000	11,000	11,000	---	---	18,100	12,100	12,100	---	---
		24K	12K	12K	---	---	22,000	11,000	11,000	---	---	22,900	11,500	11,500	---	---
		30K	12K	12K	---	---	26,000	10,000	10,000	---	---	27,300	10,900	10,900	---	---
		36K	12K	12K	---	---	29,000	10,000	10,000	---	---	31,400	10,500	10,500	---	---
		18K	18K	12K	---	---	16,000	16,000	11,000	---	---	17,200	17,200	11,500	---	---
		24K	18K	12K	---	---	20,000	15,000	10,000	---	---	21,800	16,400	10,900	---	---
		30K	18K	12K	---	---	24,000	14,000	10,000	---	---	26,200	15,700	10,500	---	---
		24K	24K	12K	---	---	19,000	19,000	10,000	---	---	21,000	21,000	10,500	---	---
		18K	18K	18K	---	---	15,000	15,000	15,000	---	---	16,400	16,400	16,400	---	---
		24K	18K	18K	---	---	19,000	14,000	14,000	---	---	21,000	15,700	15,700	---	---
	18K	6K	6K	6K	---	18,000	6,000	6,000	6,000	---	---	19,400	6,500	6,500	6,500	
	24K	6K	6K	6K	---	24,000	6,000	6,000	6,000	---	---	25,100	6,300	6,300	6,300	
	30K	6K	6K	6K	---	29,000	6,000	6,000	6,000	---	---	30,100	6,100	6,100	6,100	
	36K	6K	6K	6K	---	32,000	5,000	5,000	5,000	---	---	33,800	5,700	5,700	5,700	
	18K	9K	6K	6K	---	18,000	9,000	6,000	6,000	---	---	19,100	9,600	6,400	6,400	
	24K	9K	6K	6K	---	24,000	9,000	6,000	6,000	---	---	24,600	9,300	6,200	6,200	
	30K	9K	6K	6K	---	28,000	8,000	6,000	6,000	---	---	29,200	8,800	5,900	5,900	
	36K	9K	6K	6K	---	31,000	8,000	5,000	5,000	---	---	32,500	8,200	5,500	5,500	
	12K	12K	6K	6K	---	12,000	12,000	6,000	6,000	---	---	12,900	12,900	6,500	6,500	
	18K	12K	6K	6K	---	18,000	12,000	6,000	6,000	---	---	18,900	12,600	6,300	6,300	
	24K	12K	6K	6K	---	23,000	11,000	6,000	6,000	---	---	24,100	12,100	6,100	6,100	
	30K	12K	6K	6K	---	27,000	11,000	5,000	5,000	---	---	28,200	11,300	5,700	5,700	
	36K	12K	6K	6K	---	30,000	10,000	5,000	5,000	---	---	31,000	10,400	5,200	5,200	
	18K	18K	6K	6K	---	17,000	17,000	6,000	6,000	---	---	18,100	18,100	6,100	6,100	
24K	18K	6K	6K	---	22,000	16,000	5,000	5,000	---	---	22,600	16,900	5,700	5,700		
30K	18K	6K	6K	---	25,000	15,000	5,000	5,000	---	---	25,800	15,500	5,200	5,200		
24K	24K	6K	6K	---	20,000	20,000	5,000	5,000	---	---	20,700	20,700	5,200	5,200		
12K	9K	9K	6K	---	12,000	9,000	9,000	6,000	---	---	12,900	9,700	9,700	6,500		
18K	9K	9K	6K	---	18,000	9,000	9,000	6,000	---	---	18,900	9,500	9,500	6,300		
24K	9K	9K	6K	---	23,000	9,000	9,000	6,000	---	---	24,100	9,100	9,100	6,100		
30K	9K	9K	6K	---	27,000	8,000	8,000	5,000	---	---	28,200	8,500	8,500	5,700		
36K	9K	9K	6K	---	30,000	7,000	7,000	5,000	---	---	31,000	7,800	7,800	5,200		
12K	12K	9K	6K	---	12,000	12,000	9,000	6,000	---	---	12,800	12,800	9,600	6,400		
18K	12K	9K	6K	---	18,000	12,000	9,000	6,000	---	---	18,500	12,300	9,300	6,200		
24K	12K	9K	6K	---	22,000	11,000	8,000	6,000	---	---	23,400	11,700	8,800	5,900		
30K	12K	9K	6K	---	26,000	10,000	8,000	5,000	---	---	27,100	10,900	8,200	5,500		
36K	12K	9K	6K	---	28,000	9,000	7,000	5,000	---	---	29,300	9,800	7,400	4,900		
18K	18K	9K	6K	---	17,000	17,000	8,000	6,000	---	---	17,500	17,500	8,800	5,900		
24K	18K	9K	6K	---	21,000	16,000	8,000	5,000	---	---	21,700	16,300	8,200	5,500		
30K	18K	9K	6K	---	24,000	14,000	7,000	5,000	---	---	24,500	14,700	7,400	4,900		
12K	12K	12K	6K	---	12,000	12,000	12,000	6,000	---	---	12,600	12,600	12,600	6,300		
18K	12K	12K	6K	---	17,000	11,000	11,000	6,000	---	---	18,100	12,100	12,100	6,100		
24K	12K	12K	6K	---	22,000	11,000	11,000	5,000	---	---	22,600	11,300	11,300	5,700		

Tableau 1. Combinaisons de systèmes multi-zones MLB et MPC

REMARQUE - Avec les systèmes multi-zones, la capacité totale de toutes les unités intérieures doit être comprise entre 66 et 133 % de la capacité de l'unité extérieure.

N° de modèle de l'unité extérieure	Nombre de zones	Capacité des unités intérieures					Capacité de climatisation nominale à la capacité nominale du système (Btuh)					Capacité de chauffage nominale à la capacité nominale du système (Btuh)				
		N° 1	N° 2	N° 3	N° 4	N° 5	N° 1	N° 2	N° 3	N° 4	N° 5	N° 1	N° 2	N° 3	N° 4	N° 5
MLB et MPC048S4M	4	30K	12K	12K	6K	---	25,000	10,000	10,000	5,000	---	---	25,800	10,400	10,400	5,200
		18K	18K	12K	6K	---	16,000	16,000	11,000	5,000	---	---	16,900	16,900	11,300	5,700
		24K	18K	12K	6K	---	20,000	15,000	10,000	5,000	---	---	20,700	15,500	10,400	5,200
		9K	9K	9K	9K	---	9,000	9,000	9,000	9,000	---	---	9,700	9,700	9,700	9,700
		12K	9K	9K	9K	---	12,000	9,000	9,000	9,000	---	---	12,800	9,600	9,600	9,600
		18K	9K	9K	9K	---	18,000	9,000	9,000	9,000	---	---	18,500	9,300	9,300	9,300
		24K	9K	9K	9K	---	22,000	8,000	8,000	8,000	---	---	23,400	8,800	8,800	8,800
		30K	9K	9K	9K	---	26,000	8,000	8,000	8,000	---	---	27,100	8,200	8,200	8,200
		36K	9K	9K	9K	---	28,000	7,000	7,000	7,000	---	---	29,300	7,400	7,400	7,400
		12K	12K	9K	9K	---	12,000	12,000	9,000	9,000	---	---	12,600	12,600	9,500	9,500
		18K	12K	9K	9K	---	17,000	11,000	9,000	9,000	---	---	18,100	12,100	9,100	9,100
		24K	12K	9K	9K	---	22,000	11,000	8,000	8,000	---	---	22,600	11,300	8,500	8,500
		30K	12K	9K	9K	---	25,000	10,000	7,000	7,000	---	---	25,800	10,400	7,800	7,800
		18K	18K	9K	9K	---	16,000	16,000	8,000	8,000	---	---	16,900	16,900	8,500	8,500
		24K	18K	9K	9K	---	20,000	15,000	7,000	7,000	---	---	20,700	15,500	7,800	7,800
		12K	12K	12K	9K	---	12,000	12,000	12,000	9,000	---	---	12,300	12,300	12,300	9,300
		18K	12K	12K	9K	---	17,000	11,000	11,000	8,000	---	---	17,500	11,700	11,700	8,800
		24K	12K	12K	9K	---	21,000	10,000	10,000	8,000	---	---	21,700	10,900	10,900	8,200
		30K	12K	12K	9K	---	24,000	9,000	9,000	7,000	---	---	24,500	9,800	9,800	7,400
		18K	18K	12K	9K	---	16,000	16,000	10,000	8,000	---	---	16,300	16,300	10,900	8,200
	24K	18K	12K	9K	---	19,000	14,000	9,000	7,000	---	---	19,600	14,700	9,800	7,400	
	12K	12K	12K	12K	---	11,000	11,000	11,000	11,000	---	---	12,100	12,100	12,100	12,100	
	18K	12K	12K	12K	---	16,000	11,000	11,000	11,000	---	---	16,900	11,300	11,300	11,300	
	24K	12K	12K	12K	---	20,000	10,000	10,000	10,000	---	---	20,700	10,400	10,400	10,400	
	18K	18K	12K	12K	---	15,000	15,000	10,000	10,000	---	---	15,500	15,500	10,400	10,400	
	5	9K	6K	6K	6K	6K	9,000	6,000	6,000	6,000	6,000	10,000	7,000	7,000	7,000	7,000
	12K	6K	6K	6K	6K	6K	12,000	6,000	6,000	6,000	6,000	13,000	6,000	6,000	6,000	6,000
	18K	6K	6K	6K	6K	6K	18,000	6,000	6,000	6,000	6,000	19,000	6,000	6,000	6,000	6,000
	24K	6K	6K	6K	6K	6K	24,000	6,000	6,000	6,000	6,000	25,000	6,000	6,000	6,000	6,000
	30K	6K	6K	6K	6K	6K	28,000	6,000	6,000	6,000	6,000	29,000	5,000	5,000	5,000	5,000
	36K	6K	6K	6K	6K	6K	31,000	5,000	5,000	5,000	5,000	32,000	5,000	5,000	5,000	5,000
	9K	9K	6K	6K	6K	6K	9,000	9,000	6,000	6,000	6,000	10,000	10,000	6,000	6,000	6,000
12K	9K	6K	6K	6K	6K	12,000	9,000	6,000	6,000	6,000	13,000	10,000	6,000	6,000	6,000	
18K	9K	6K	6K	6K	6K	18,000	9,000	6,000	6,000	6,000	19,000	9,000	6,000	6,000	6,000	
24K	9K	6K	6K	6K	6K	23,000	9,000	6,000	6,000	6,000	24,000	9,000	6,000	6,000	6,000	
30K	9K	6K	6K	6K	6K	27,000	8,000	5,000	5,000	5,000	28,000	8,000	5,000	5,000	5,000	
36K	9K	6K	6K	6K	6K	29,000	7,000	5,000	5,000	5,000	31,000	7,000	5,000	5,000	5,000	
12K	12K	6K	6K	6K	6K	12,000	12,000	6,000	6,000	6,000	13,000	13,000	6,000	6,000	6,000	
18K	12K	6K	6K	6K	6K	18,000	12,000	6,000	6,000	6,000	18,000	12,000	6,000	6,000	6,000	
24K	12K	6K	6K	6K	6K	22,000	11,000	6,000	6,000	6,000	23,000	11,000	5,000	5,000	5,000	
30K	12K	6K	6K	6K	6K	26,000	10,000	5,000	5,000	5,000	27,000	10,000	5,000	5,000	5,000	
18K	18K	6K	6K	6K	6K	17,000	17,000	6,000	6,000	6,000	17,000	17,000	5,000	5,000	5,000	

Tableau 1. Combinaisons de systèmes multi-zones MLB et MPC

REMARQUE - Avec les systèmes multi-zones, la capacité totale de toutes les unités intérieures doit être comprise entre 66 et 133 % de la capacité de l'unité extérieure.

N° de modèle de l'unité extérieure	Nombre de zones	Capacité des unités intérieures					Capacité de climatisation nominale à la capacité nominale du système (Btuh)					Capacité de chauffage nominale à la capacité nominale du système (Btuh)				
		N° 1	N° 2	N° 3	N° 4	N° 5	N° 1	N° 2	N° 3	N° 4	N° 5	N° 1	N° 2	N° 3	N° 4	N° 5
MLB et MPC048S4M	5	24K	18K	6K	6K	6K	21,000	16,000	5,000	5,000	5,000	21,000	16,000	5,000	5,000	5,000
		9K	9K	9K	6K	6K	9,000	9,000	9,000	6,000	6,000	10,000	10,000	10,000	6,000	6,000
		12K	9K	9K	6K	6K	12,000	9,000	9,000	6,000	6,000	13,000	9,000	9,000	6,000	6,000
		18K	9K	9K	6K	6K	18,000	9,000	9,000	6,000	6,000	18,000	9,000	9,000	6,000	6,000
		24K	9K	9K	6K	6K	22,000	8,000	8,000	6,000	6,000	23,000	8,000	8,000	5,000	5,000
		30K	9K	9K	6K	6K	26,000	8,000	8,000	5,000	5,000	27,000	8,000	8,000	5,000	5,000
		12K	12K	9K	6K	6K	12,000	12,000	9,000	6,000	6,000	12,000	12,000	9,000	6,000	6,000
		18K	12K	9K	6K	6K	17,000	12,000	9,000	6,000	6,000	18,000	12,000	9,000	6,000	6,000
		24K	12K	9K	6K	6K	22,000	11,000	8,000	5,000	5,000	22,000	11,000	8,000	5,000	5,000
		30K	12K	9K	6K	6K	24,000	10,000	7,000	5,000	5,000	26,000	10,000	7,000	5,000	5,000
		18K	18K	9K	6K	6K	16,000	16,000	8,000	5,000	5,000	17,000	17,000	8,000	5,000	5,000
		24K	18K	9K	6K	6K	20,000	15,000	7,000	5,000	5,000	21,000	15,000	7,000	5,000	5,000
		12K	12K	12K	6K	6K	12,000	12,000	12,000	6,000	6,000	12,000	12,000	12,000	6,000	6,000
		18K	12K	12K	6K	6K	17,000	11,000	11,000	6,000	6,000	17,000	11,000	11,000	5,000	5,000
		24K	12K	12K	6K	6K	21,000	10,000	10,000	5,000	5,000	21,000	10,000	10,000	5,000	5,000
		18K	18K	12K	6K	6K	16,000	16,000	10,000	5,000	5,000	16,000	16,000	10,000	5,000	5,000
		9K	9K	9K	9K	6K	9,000	9,000	9,000	9,000	6,000	9,000	9,000	9,000	9,000	6,000
		12K	9K	9K	9K	6K	12,000	9,000	9,000	9,000	6,000	12,000	9,000	9,000	9,000	6,000
		18K	9K	9K	9K	6K	17,000	9,000	9,000	9,000	6,000	18,000	9,000	9,000	9,000	6,000
		24K	9K	9K	9K	6K	22,000	8,000	8,000	8,000	5,000	22,000	8,000	8,000	8,000	5,000
		30K	9K	9K	9K	6K	24,000	7,000	7,000	7,000	5,000	26,000	7,000	7,000	7,000	5,000
		12K	12K	9K	9K	6K	12,000	12,000	9,000	9,000	6,000	12,000	12,000	9,000	9,000	6,000
		18K	12K	9K	9K	6K	17,000	11,000	8,000	8,000	6,000	17,000	11,000	8,000	8,000	5,000
		24K	12K	9K	9K	6K	21,000	10,000	8,000	8,000	5,000	21,000	10,000	8,000	8,000	5,000
		18K	18K	9K	9K	6K	16,000	16,000	8,000	8,000	5,000	16,000	16,000	8,000	8,000	5,000
		12K	12K	12K	9K	6K	12,000	12,000	12,000	9,000	6,000	12,000	12,000	12,000	9,000	6,000
		18K	12K	12K	9K	6K	16,000	11,000	11,000	8,000	5,000	17,000	11,000	11,000	8,000	5,000
		24K	12K	12K	9K	6K	20,000	10,000	10,000	7,000	5,000	21,000	10,000	10,000	7,000	5,000
		12K	12K	12K	12K	6K	11,000	11,000	11,000	11,000	6,000	11,000	11,000	11,000	11,000	5,000
		18K	12K	12K	12K	6K	16,000	10,000	10,000	10,000	5,000	16,000	10,000	10,000	10,000	5,000
		9K	9K	9K	9K	9K	9,000	9,000	9,000	9,000	9,000	9500	9500	9500	9500	9500
		12K	9K	9K	9K	9K	12,000	9,000	9,000	9,000	9,000	12,000	9,000	9,000	9,000	9,000
18K	9K	9K	9K	9K	17,000	8,000	8,000	8,000	8,000	17,000	8,000	8,000	8,000	8,000		
24K	9K	9K	9K	9K	21,000	8,000	8,000	8,000	8,000	21,000	8,000	8,000	8,000	8,000		
12K	12K	9K	9K	9K	12,000	12,000	9,000	9,000	9,000	12,000	12,000	9,000	9,000	9,000		
18K	12K	9K	9K	9K	16,000	11,000	8,000	8,000	8,000	17,000	11,000	8,000	8,000	8,000		
24K	12K	9K	9K	9K	20,000	10,000	7,000	7,000	7,000	21,000	10,000	7,000	7,000	7,000		
12K	12K	12K	9K	9K	11,000	11,000	11,000	8,000	8,000	11,000	11,000	11,000	8,000	8,000		
18K	12K	12K	9K	9K	16,000	10,000	10,000	8,000	8,000	16,000	10,000	10,000	8,000	8,000		
12K	12K	12K	12K	9K	11,000	11,000	11,000	11,000	8,000	11,000	11,000	11,000	11,000	8,000		
12K	12K	12K	12K	12K	10,000	10,000	10,000	10,000	10,000	10,000	10,000	10,000	10,000	10,000		

Connexion et utilisation des jeux de conduites des systèmes MLB et MPC

Tableau 2. MLB et MPC018S4M

Nombre de zones et dimensions des connexions des unités extérieures

REMARQUE - Lettre = Connexion de zone de l'unité intérieure sur l'unité extérieure

Zone 1 (A)	Zone 2 (A)
1/4 po liq. + 3/8 po gaz	1/4 po liq. + 3/8 po gaz
006	006
009	006
012	006
009	009
012	009
012	012

LÉGENDE :

BLANC = Pas d'adaptateur nécessaire.

GRIS = Un adaptateur de 3/8 x 1/2 po pour la conduite de gaz est nécessaire pour la connexion à l'unité extérieure (fourni avec l'unité extérieure).

Tableau 3. MLB et MPC024S4M

Nombre de zones et dimensions des connexions des unités extérieures

REMARQUE - Lettre = Connexion de zone de l'unité intérieure sur l'unité extérieure

Zone 1 (A)	Zone 2 (B)	Zone 3 (C)
1/4 po liq. + 3/8 po gaz	1/4 po liq. + 3/8 po gaz	1/4 po liq. + 3/8 po gaz
012	006	---
018	006	---
009	009	---
012	009	---
018	009	---
012	012	---
018	012	---
018	018	---
006	006	006
009	006	006
012	006	006
018	006	006
009	006	006
012	006	009
018	009	006
012	012	006
018	012	006
009	009	009
012	009	009
018	009	009
012	012	009
012	012	012

LÉGENDE :

BLANC = Pas d'adaptateur nécessaire.

GRIS = Un adaptateur de 3/8 x 1/2 po pour la conduite de gaz est nécessaire pour la connexion à l'unité extérieure (fourni avec l'unité extérieure).

Tableau 4. MLB et MPC030S4M

Nombre de zones et dimensions des connexions des unités extérieures

REMARQUE - Lettre = Connexion de zone de l'unité intérieure sur l'unité extérieure

Zone 1 (A)	Zone 2 (B)	Zone 3 (C)
1/4 po liq. + 3/8 po gaz	1/4 po liq. + 3/8 po gaz	1/4 po liq. + 3/8 po gaz
012	006	---
018	006	---
009	009	---
012	009	---
018	009	---
012	012	---
018	012	---
018	018	---
006	006	006
009	006	006
012	006	006
018	006	006
009	006	006
012	009	006
018	009	006
012	012	006
018	012	006
009	009	009
012	009	009
018	009	009
012	012	009
012	012	012

LÉGENDE :

BLANC = Pas d'adaptateur nécessaire.

GRIS = Un adaptateur de 3/8 x 1/2 po pour la conduite de gaz est nécessaire pour la connexion à l'unité extérieure (fourni avec l'unité extérieure).

Tableau 5. MLB et MPC036S4M

Nombre de zones et dimensions des connexions des unités extérieures

REMARQUE - Lettre = Connexion de zone de l'unité intérieure sur l'unité extérieure

Zone 1 (A)	Zone 2 (B)	Zone 3 (C)	Zone 4 (D)
1/4 po liq. + 1/2 po gaz	1/4 po liq. + 3/8 po gaz	1/4 po liq. + 3/8 po gaz	1/4 po liq. + 3/8 po gaz
018	006	---	---
024	006	---	---
018	009	---	---
024	009	---	---
012	012	---	---
018	012	---	---
024	012	---	---
018	018	---	---

LÉGENDE :

BLANC = Pas d'adaptateur nécessaire.

GRIS = Un adaptateur de 3/8 x 1/2 po pour la conduite de gaz est nécessaire pour la connexion à l'unité extérieure (fourni avec l'unité extérieure).

NOIR = Un adaptateur de 1/4 x 3/8 po pour la conduite de liquide est nécessaire pour la connexion à l'unité extérieure 048 (fourni avec l'unité extérieure).
Un adaptateur de 1/2 x 5/8 po pour la conduite de gaz est nécessaire pour la connexion à l'unité extérieure 048 (fourni avec l'unité extérieure).

Tableau 5. MLB et MPC036S4M

Nombre de zones et dimensions des connexions des unités extérieures

REMARQUE - Lettre = Connexion de zone de l'unité intérieure sur l'unité extérieure

Zone 1 (A)	Zone 2 (B)	Zone 3 (C)	Zone 4 (D)
1/4 po liq. + 1/2 po gaz	1/4 po liq. + 3/8 po gaz	1/4 po liq. + 3/8 po gaz	1/4 po liq. + 3/8 po gaz
024	018	---	---
024	1 024	---	---
012	006	006	---
018	006	006	---
024	006	006	---
012	009	006	---
018	009	006	---
024	009	006	---
012	012	006	---
018	012	006	---
024	012	006	---
018	018	006	---
024	018	006	---
009	009	009	---
012	009	009	---
018	009	009	---
024	009	009	---
012	012	009	---
018	012	009	---
024	012	009	---
018	018	009	---
012	012	012	---
018	012	012	---
024	012	012	---
018	018	012	---
006	006	006	006
009	006	006	006
012	006	006	006
018	006	006	006
024	006	006	006
009	009	006	006
012	009	006	006
018	009	006	006
024	009	006	006
012	012	006	006
018	012	006	006
024	012	006	006
009	009	009	006
012	009	009	006

LÉGENDE :

BLANC = Pas d'adaptateur nécessaire.

GRIS = Un adaptateur de 3/8 x 1/2 po pour la conduite de gaz est nécessaire pour la connexion à l'unité extérieure (fourni avec l'unité extérieure).

NOIR = Un adaptateur de 1/4 x 3/8 po pour la conduite de liquide est nécessaire pour la connexion à l'unité extérieure 048 (fourni avec l'unité extérieure).

Un adaptateur de 1/2 x 5/8 po pour la conduite de gaz est nécessaire pour la connexion à l'unité extérieure 048 (fourni avec l'unité extérieure).

Tableau 5. MLB et MPC036S4M

Nombre de zones et dimensions des connexions des unités extérieures

REMARQUE - Lettre = Connexion de zone de l'unité intérieure sur l'unité extérieure

Zone 1 (A)	Zone 2 (B)	Zone 3 (C)	Zone 4 (D)
1/4 po liq. + 1/2 po gaz	1/4 po liq. + 3/8 po gaz	1/4 po liq. + 3/8 po gaz	1/4 po liq. + 3/8 po gaz
018	009	009	006
024	009	009	006
012	012	009	006
018	012	009	006
012	012	012	006
018	012	012	006
009	009	009	009
012	009	009	009
018	009	009	009
012	012	009	009
018	012	009	009
012	012	012	009
012	012	012	012

LÉGENDE :

BLANC = Pas d'adaptateur nécessaire.

GRIS = Un adaptateur de 3/8 x 1/2 po pour la conduite de gaz est nécessaire pour la connexion à l'unité extérieure (fourni avec l'unité extérieure).

NOIR = Un adaptateur de 1/4 x 3/8 po pour la conduite de liquide est nécessaire pour la connexion à l'unité extérieure 048 (fourni avec l'unité extérieure).

Un adaptateur de 1/2 x 5/8 po pour la conduite de gaz est nécessaire pour la connexion à l'unité extérieure 048 (fourni avec l'unité extérieure).

Tableau 6. MLB et MPC048S4M

Nombre de zones et dimensions des connexions des unités extérieures

REMARQUE - Lettre = Connexion de zone de l'unité intérieure sur l'unité extérieure

Zone 1 (A)	Zone 2 (B)	Zone 3 (C)	Zone 4 (D)	Zone 5 (E)
1/4 po liq. + 1/2 po gaz	1/4 po liq. + 1/2 po gaz	1/4 po liq. + 3/8 po gaz	1/4 po liq. + 3/8 po gaz	1/4 po liq. + 3/8 po gaz
024	009	---	---	---
030	009	---	---	---
036	009	---	---	---
024	012	---	---	---
030	012	---	---	---
036	012	---	---	---
018	018	---	---	---
024	018	---	---	---
024	024	---	---	---
030	018	---	---	---
036	018	---	---	---
030	024	---	---	---
036	024	---	---	---
030	030	---	---	---
024	006	006	---	---
030	006	006	---	---

LÉGENDE :

BLANC = Pas d'adaptateur nécessaire.

GRIS = Un adaptateur de 3/8 x 1/2 po pour la conduite de gaz est nécessaire pour la connexion à l'unité extérieure (fourni avec l'unité extérieure).

NOIR = Un adaptateur de 1/4 x 3/8 po pour la conduite de liquide est nécessaire pour la connexion à l'unité extérieure 048 (fourni avec l'unité extérieure).

Un adaptateur de 1/2 x 5/8 po pour la conduite de gaz est nécessaire pour la connexion à l'unité extérieure 048 (fourni avec l'unité extérieure).

Tableau 6. MLB et MPC048S4M

Nombre de zones et dimensions des connexions des unités extérieures

REMARQUE - Lettre = Connexion de zone de l'unité intérieure sur l'unité extérieure

Zone 1 (A)	Zone 2 (B)	Zone 3 (C)	Zone 4 (D)	Zone 5 (E)
1/4 po liq. + 1/2 po gaz	1/4 po liq. + 1/2 po gaz	1/4 po liq. + 3/8 po gaz	1/4 po liq. + 3/8 po gaz	1/4 po liq. + 3/8 po gaz
036	006	006	---	---
024	009	006	---	---
030	009	006	---	---
036	009	006	---	---
018	012	006	---	---
024	012	006	---	---
030	012	006	---	---
036	012	006	---	---
018	018	006	---	---
024	018	006	---	---
030	018	006	---	---
036	018	006	---	---
024	024	006	---	---
030	024	006	---	---
018	009	009	---	---
024	009	009	---	---
030	009	009	---	---
036	009	009	---	---
012	012	009	---	---
018	012	009	---	---
024	012	009	---	---
030	012	009	---	---
036	012	009	---	---
018	018	009	---	---
024	018	009	---	---
030	018	009	---	---
036	018	009	---	---
024	024	009	---	---
030	024	009	---	---
012	012	012	---	---
018	012	012	---	---
024	012	012	---	---
030	012	012	---	---
036	012	012	---	---
018	018	012	---	---
024	018	012	---	---
030	018	012	---	---
024	024	012	---	---
018	018	018	---	---

LÉGENDE :

BLANC = Pas d'adaptateur nécessaire.

GRIS = Un adaptateur de 3/8 x 1/2 po pour la conduite de gaz est nécessaire pour la connexion à l'unité extérieure (fourni avec l'unité extérieure).

NOIR = Un adaptateur de 1/4 x 3/8 po pour la conduite de liquide est nécessaire pour la connexion à l'unité extérieure 048 (fourni avec l'unité extérieure).

Un adaptateur de 1/2 x 5/8 po pour la conduite de gaz est nécessaire pour la connexion à l'unité extérieure 048 (fourni avec l'unité extérieure).

Tableau 6. MLB et MPC048S4M

Nombre de zones et dimensions des connexions des unités extérieures

REMARQUE - Lettre = Connexion de zone de l'unité intérieure sur l'unité extérieure

Zone 1 (A)	Zone 2 (B)	Zone 3 (C)	Zone 4 (D)	Zone 5 (E)
1/4 po liq. + 1/2 po gaz	1/4 po liq. + 1/2 po gaz	1/4 po liq. + 3/8 po gaz	1/4 po liq. + 3/8 po gaz	1/4 po liq. + 3/8 po gaz
024	018	018	---	---
018	006	006	006	---
024	006	006	006	---
030	006	006	006	---
036	006	006	006	---
018	009	006	006	---
024	009	006	006	---
030	009	006	006	---
036	009	006	006	---
012	012	006	006	---
018	012	006	006	---
024	012	006	006	---
030	012	006	006	---
036	012	006	006	---
018	018	006	006	---
024	018	006	006	---
030	018	006	006	---
024	024	006	006	---
012	009	009	006	---
018	009	009	006	---
024	009	009	006	---
030	009	009	006	---
036	009	009	006	---
012	012	009	006	---
018	012	009	006	---
024	012	009	006	---
030	012	009	006	---
036	012	009	006	---
018	018	009	006	---
024	018	009	006	---
030	018	009	006	---
012	012	012	006	---
018	012	012	006	---
024	012	012	006	---
030	012	012	006	---
018	018	012	006	---
024	018	012	006	---
009	009	009	009	---
012	009	009	009	---

LÉGENDE :

BLANC = Pas d'adaptateur nécessaire.

GRIS = Un adaptateur de 3/8 x 1/2 po pour la conduite de gaz est nécessaire pour la connexion à l'unité extérieure (fourni avec l'unité extérieure).

NOIR = Un adaptateur de 1/4 x 3/8 po pour la conduite de liquide est nécessaire pour la connexion à l'unité extérieure 048 (fourni avec l'unité extérieure).

Un adaptateur de 1/2 x 5/8 po pour la conduite de gaz est nécessaire pour la connexion à l'unité extérieure 048 (fourni avec l'unité extérieure).

Tableau 6. MLB et MPC048S4M

Nombre de zones et dimensions des connexions des unités extérieures

REMARQUE - Lettre = Connexion de zone de l'unité intérieure sur l'unité extérieure

Zone 1 (A)	Zone 2 (B)	Zone 3 (C)	Zone 4 (D)	Zone 5 (E)
1/4 po liq. + 1/2 po gaz	1/4 po liq. + 1/2 po gaz	1/4 po liq. + 3/8 po gaz	1/4 po liq. + 3/8 po gaz	1/4 po liq. + 3/8 po gaz
018	009	009	009	---
024	009	009	009	---
030	009	009	009	---
036	009	009	009	---
012	012	009	009	---
018	012	009	009	---
024	012	009	009	---
030	012	009	009	---
018	018	009	009	---
024	018	009	009	---
012	012	012	009	---
018	012	012	009	---
024	012	012	009	---
030	012	012	009	---
018	018	012	009	---
024	018	012	009	---
012	012	012	012	---
018	012	012	012	---
024	012	012	012	---
018	018	012	012	---
009	006	006	006	006
012	006	006	006	006
018	006	006	006	006
024	006	006	006	006
030	006	006	006	006
036	006	006	006	006
009	009	006	006	006
012	009	006	006	006
018	009	006	006	006
024	009	006	006	006
030	009	006	006	006
036	009	006	006	006
012	012	006	006	006
018	012	006	006	006
024	012	006	006	006
030	012	006	006	006
018	018	006	006	006
024	018	006	006	006
009	009	009	006	006

LÉGENDE :

BLANC = Pas d'adaptateur nécessaire.

GRIS = Un adaptateur de 3/8 x 1/2 po pour la conduite de gaz est nécessaire pour la connexion à l'unité extérieure (fourni avec l'unité extérieure).

NOIR = Un adaptateur de 1/4 x 3/8 po pour la conduite de liquide est nécessaire pour la connexion à l'unité extérieure 048 (fourni avec l'unité extérieure).

Un adaptateur de 1/2 x 5/8 po pour la conduite de gaz est nécessaire pour la connexion à l'unité extérieure 048 (fourni avec l'unité extérieure).

Tableau 6. MLB et MPC048S4M

Nombre de zones et dimensions des connexions des unités extérieures

REMARQUE - Lettre = Connexion de zone de l'unité intérieure sur l'unité extérieure

Zone 1 (A)	Zone 2 (B)	Zone 3 (C)	Zone 4 (D)	Zone 5 (E)
1/4 po liq. + 1/2 po gaz	1/4 po liq. + 1/2 po gaz	1/4 po liq. + 3/8 po gaz	1/4 po liq. + 3/8 po gaz	1/4 po liq. + 3/8 po gaz
012	009	009	006	006
018	009	009	006	006
024	009	009	006	006
030	009	009	006	006
012	012	009	006	006
018	012	009	006	006
024	012	009	006	006
030	012	009	006	006
018	018	009	006	006
024	018	009	006	006
012	012	012	006	006
018	012	012	006	006
024	012	012	006	006
018	018	012	006	006
009	009	009	009	006
012	009	009	009	006
018	009	009	009	006
024	009	009	009	006
030	009	009	009	006
012	012	009	009	006
018	012	009	009	006
024	012	009	009	006
018	018	009	009	006
012	012	012	009	006
018	012	012	009	006
024	012	012	009	006
012	012	012	012	006
018	012	012	012	006
009	009	009	009	009
012	009	009	009	009
018	009	009	009	009
024	009	009	009	009
012	012	009	009	009
018	012	009	009	009
024	012	009	009	009
012	012	012	009	009
018	012	012	009	009
012	012	012	012	009
012	012	012	012	012

LÉGENDE :

BLANC = Pas d'adaptateur nécessaire.

GRIS = Un adaptateur de 3/8 x 1/2 po pour la conduite de gaz est nécessaire pour la connexion à l'unité extérieure (fourni avec l'unité extérieure).

NOIR = Un adaptateur de 1/4 x 3/8 po pour la conduite de liquide est nécessaire pour la connexion à l'unité extérieure 048 (fourni avec l'unité extérieure).

Un adaptateur de 1/2 x 5/8 po pour la conduite de gaz est nécessaire pour la connexion à l'unité extérieure 048 (fourni avec l'unité extérieure).

Couple de serrage des capuchons et dispositifs de fixation

Lors du service ou de la réparation des composantes du système de climatisation, s'assurer que les dispositifs de fixation sont correctement serrés. Le « Tableau 7. Couples de serrage » indique les couples de serrage des différents dispositifs de fixation.

IMPORTANT

N'utiliser que des clés Allen suffisamment résistantes, à savoir 50 Rc (dureté Rockwell) minimum. Insérer complètement la clé dans l'ouverture de la tige de la vanne.

Les tiges des vannes de service sont serrées en usine de 9 ft-lb (12 N-m) pour les petites vannes à 25 ft-lb (34 N-m) pour les grandes vannes) pour éviter toute perte de réfrigérant pendant le transport et la manutention. L'utilisation d'une clé de résistance inférieure à 50 Rc risque d'arrondir ou de casser la clé, ou encore d'endommager l'ouverture de la tige de la vanne.

Voir les Notes de service et d'application Lennox C-08-1 pour plus de détails et d'information.

Tableau 7. Couples de serrage

Pièces	Couple recommandé	
	É.-U.	Newton-mètre N-m
Capuchon de la vanne de service	8 ft-lb	11
Vis auto-taraut	16 in-lb	2
Vis machine n° 10	27 in-lb	3
Boulons du compresseur	7 ft-lb	10
Capuchon d'étanchéité des orifices pour manomètres	8 ft-lb	11

Installation de l'unité extérieure

Considérations de placement

! ATTENTION

Afin d'éviter les blessures, prendre les précautions nécessaires pour lever des objets lourds.

Considérer les points suivants pour le positionnement de l'unité:

- Dans les zones côtières ou autres endroits où il existe un mélange de sel et de sulfates, la corrosion peut réduire la

durée de vie de l'unité. Dans les zones côtières, le serpentin doit être nettoyé plusieurs fois par an avec de l'eau potable pour empêcher toute accumulation de produits corrosifs (sel).

- Certaines localités adoptent des ordonnances sur le bruit sur la base du bruit mesuré à partir des propriétés adjacentes et non de la propriété où l'unité est installée. Installer l'unité aussi loin que possible de la ligne de séparation des propriétés.
- Dans la mesure du possible, ne pas installer l'unité directement en dessous d'une fenêtre. Le verre est un excellent conducteur du son.
- Installer l'unité de niveau (horizontale).

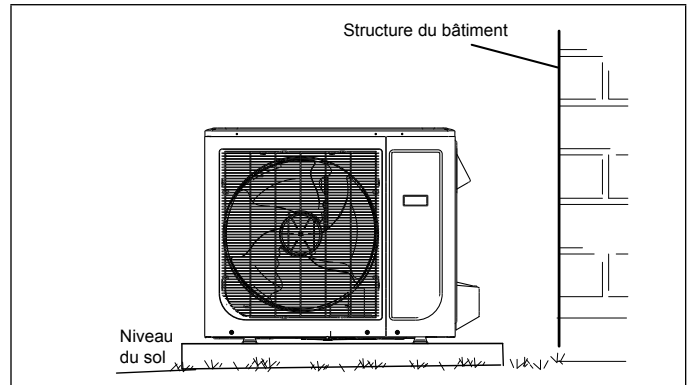


Figure 5. Installer l'unité de niveau (horizontale)

- Choisir un endroit suffisamment résistant pour supporter le poids et les vibrations de l'unité, là où le bruit de fonctionnement ne sera pas amplifié.
- Choisir un endroit où l'air chaud refoulé par l'unité et le bruit de fonctionnement n'occasionneront pas une nuisance pour les voisins.
- Éviter d'installer l'unité extérieure près d'une chambre ou d'autres endroits où le bruit peut causer un problème.
- Il doit exister un espace suffisant pour amener l'unité jusqu'à l'endroit choisi et l'en sortir au besoin.
- L'air doit pouvoir circuler librement autour de l'entrée et de la sortie d'air.
- L'unité ne doit pas être installée dans une zone où il est possible d'avoir une fuite de gaz inflammable.
- Installer l'unité extérieure à un minimum de 3 pieds (1 m) de tout cordon électrique, ligne d'alimentation, antenne, radio, téléphone, système de sécurité ou interphone. Le bruit électrique et les fréquences radio de ces sources risqueraient de nuire à son fonctionnement.

- Puisque de l'eau s'écoule de l'unité extérieure pendant différentes étapes de fonctionnement, ne rien placer sous l'unité qui pourrait être endommagé par l'humidité.

Protection contre les rayons directs du soleil, la neige et la glace

Unité intérieure

- Il est recommandé que les unités intérieures avec conduits pour pression statique moyenne ne soient pas installées dans des espaces non-climatisés à des températures supérieures à 100 °F (38 °C).

Unité extérieure :

- Il est suggéré de construire un auvent ou un abri si l'unité extérieure est exposée toute la journée directement aux rayons du soleil avec des températures dépassant 100 °F (38 °C). Cela est nécessaire à cause de l'arrêt de sécurité de protection de l'électronique réglé à 122 °F (50 °C). Si l'unité extérieure est exposée aux rayons directs du soleil, ce contacteur peut activer la sécurité et arrêter l'unité. Un auvent est recommandé comme illustré à « Figure 6. Unité extérieure sur piédestal et sous auvent de protection » à la page 21 ou « Figure 11. Abri de style niche à chien » à la page 22.
- Installer l'unité extérieure à l'écart des porte-à-faux des toits pour empêcher l'eau ou la glace de tomber sur ou devant l'échangeur ou l'unité. Construire un auvent comme illustré à la « Figure 6. Unité extérieure sur piédestal et sous auvent de protection » à la page 21.
- La base de l'unité extérieure doit être située au-dessus du niveau moyen de la neige comme illustré à la « Figure 7. Unité extérieure sur supports au-dessus du niveau de la neige » à la page 21.
- Dans les régions fortement enneigées, ne pas placer l'unité extérieure là où la neige peut s'accumuler comme illustré à la « Figure 8. Débit d'air d'une unité extérieure obstruée par de la neige » à la page 21.
- Faire très attention à l'élimination de l'eau de dégivrage pour éviter que la glace empêche l'utilisation des allées ou crée un danger à proximité de l'unité extérieure comme illustré à la « Figure 9. Éviter les dangers causés par le gel de l'eau de dégivrage » à la page 22.

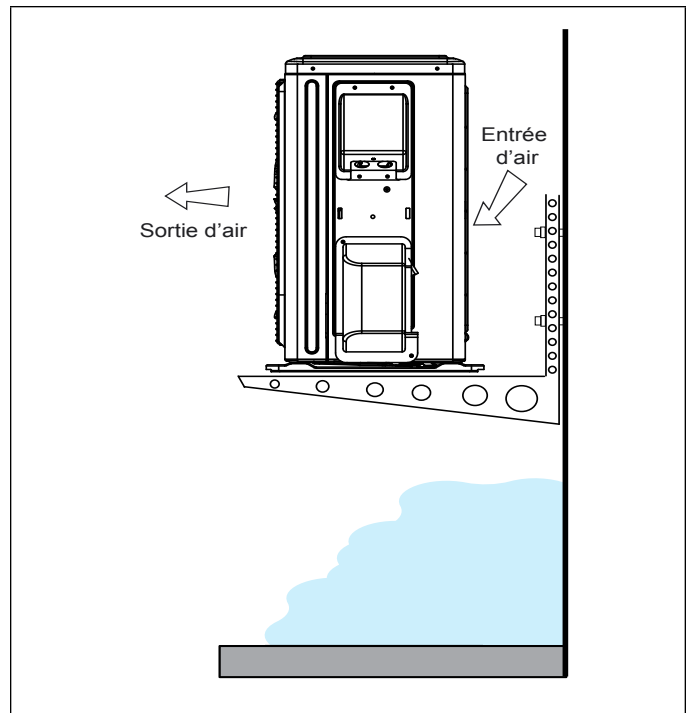


Figure 7. Unité extérieure sur supports au-dessus du niveau de la neige

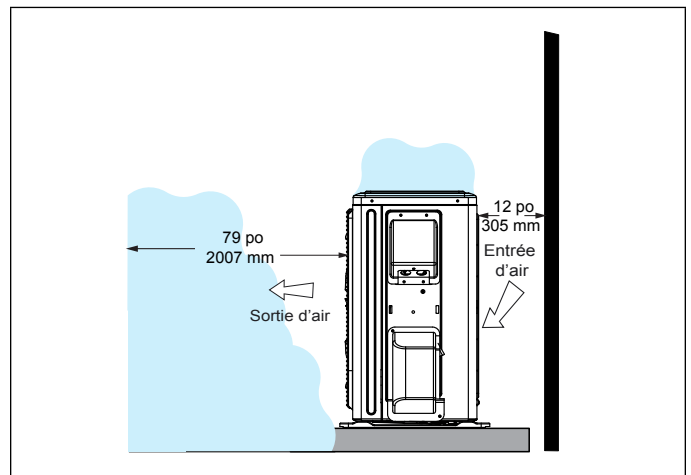


Figure 8. Débit d'air d'une unité extérieure obstruée par de la neige

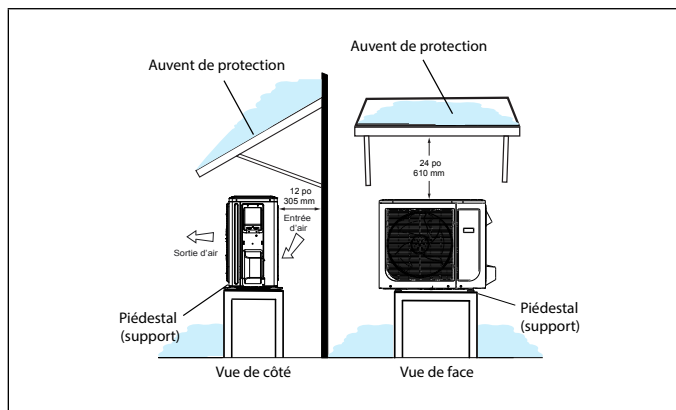


Figure 6. Unité extérieure sur piédestal et sous auvent de protection

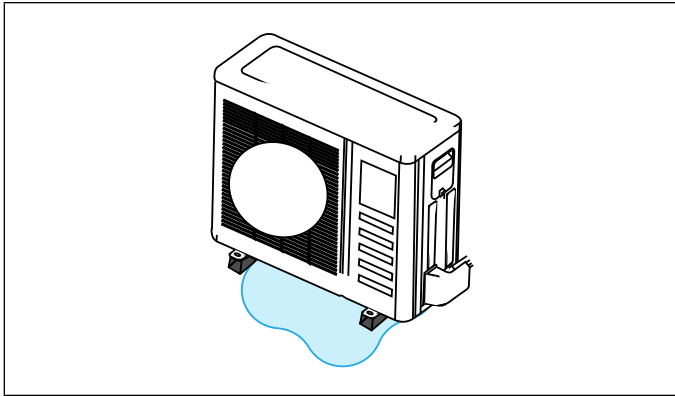


Figure 9. Éviter les dangers causés par le gel de l'eau de dégivrage

Vents dominants

Normalement, des chicanes anti-vent ne sont pas nécessaires pour les unités extérieures. Cependant, afin de maximiser la fiabilité et la performance, il est conseillé de suivre les bonnes pratiques suivantes.

Si l'échangeur ne peut pas être installé à l'abri des vents hivernaux dominants, il est recommandé de prévoir une méthode de protection de l'unité. Cependant, les dégagements minimums indiqués à la « Figure 3. Dégagements de l'unité extérieure - pouces (mm) » à la page 4 doivent être respectés en permanence.

Exemples d'application courantes :

- Quand les vents dominants sont du côté de l'admission d'air, positionner la chicane anti-vent à un minimum de 12 pouces (305 mm) de l'unité comme illustré à la « Figure 3. Dégagements de l'unité extérieure - pouces (mm) ».
- Quand les vents dominants sont du côté évacuation, positionner la chicane anti-vent à un minimum de 79 pouces (2007 mm) de l'avant de l'unité comme illustré à la « Figure 10. Barrière anti-vent ».
- L'unité extérieure peut être installée dans un abri de style niche à chien comme illustré à la « Figure 11. Abri de style niche à chien ».
- L'unité extérieure peut être installée dans une alcôve ou sous l'avancée d'un toit comme illustré à la « Figure 12. Unité installée dans une alcôve ».

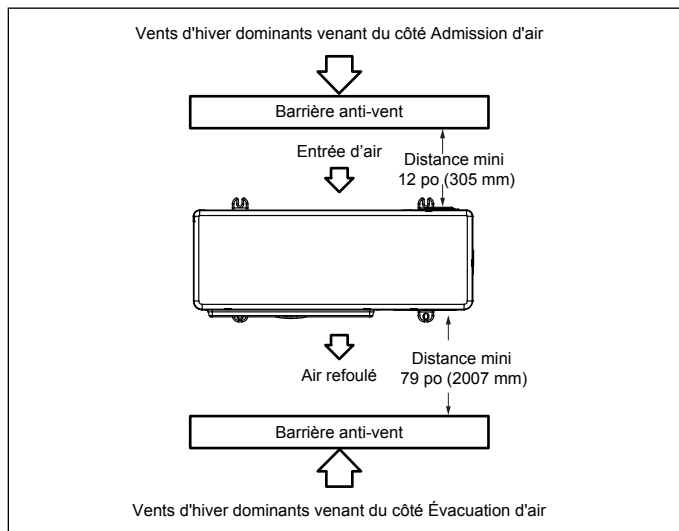
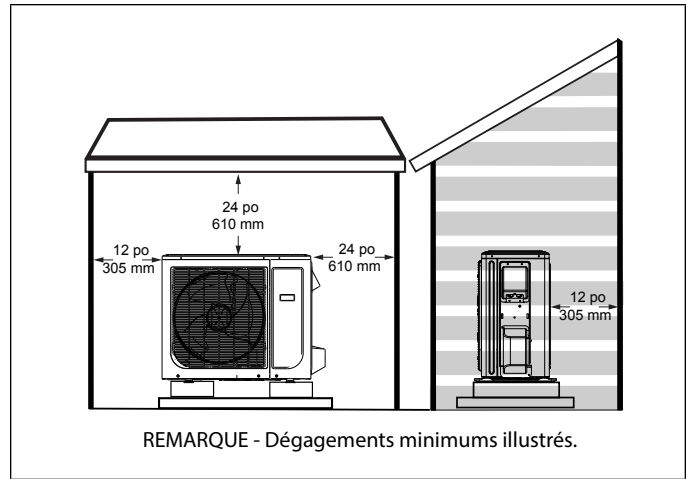
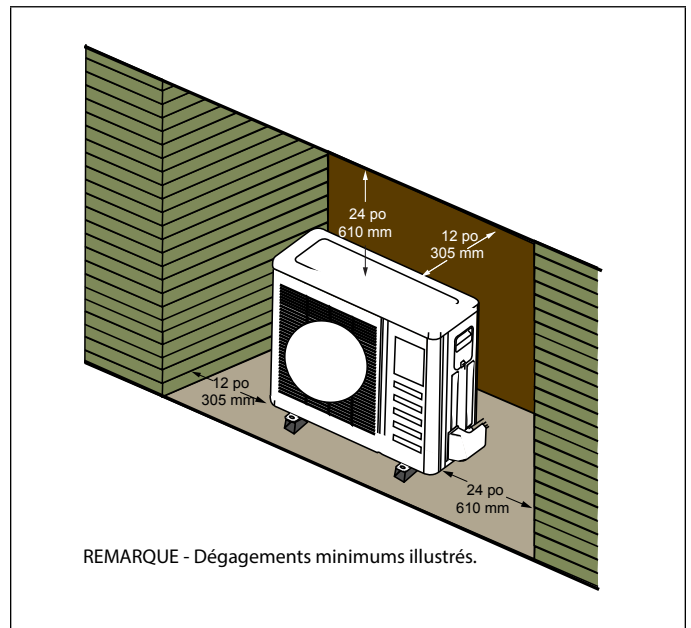


Figure 10. Barrière anti-vent



REMARQUE - Dégagements minimums illustrés.

Figure 11. Abri de style niche à chien



REMARQUE - Dégagements minimums illustrés.

Figure 12. Unité installée dans une alcôve

Protection des conduites de réfrigérant enterrées

- **Toutes** les conduites de réfrigérant doivent être isolées, même si elles sont enterrées.
- En plus d'être isolées, les conduites enterrées doivent être placées à l'intérieur d'une gaine **étanche**.
- La gaine doit être conçue de manière à ne pas pouvoir collecter et retenir d'eau.

Conduite de condensat de l'unité extérieure

Le condensat produit par le chauffage et le dégivrage doit être évacué des thermopompes. Quatre orifices de drainage sont prévus à la base des unités pour assurer un drainage correct. Afin d'assurer le drainage, les thermopompes installées sur une dalle de béton ou sur le sol doivent être surélevées. Si la thermopompe est installée sur une patte de support murale, insérer le connecteur de drainage fourni dans l'un des orifices de 1 po (25 mm) et y fixer une conduite de drainage isolée (à fournir par l'installateur). Utiliser des obturateurs en caoutchouc (à fournir par l'installateur) pour obturer les orifices de drainage non utilisés.

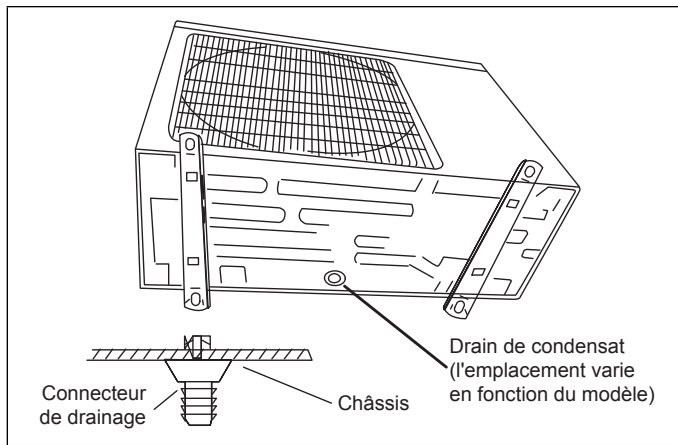


Figure 13. Drain de condensat

Fixation de l'unité extérieure

Installation sur dalle ou sur toit

Installer l'unité à un minimum de 4 po (102 mm) au-dessus de la surface du toit ou du sol pour éviter toute accumulation de glace autour de l'unité. Situer l'unité au-dessus d'un mur porteur ou dans une partie du toit pouvant supporter l'unité. Consulter les codes locaux pour les installations sur toit.

⚠ ATTENTION

Protection de la toiture !

Ce système contient du réfrigérant et de l'huile. Certains matériaux de couverture en caoutchouc peuvent absorber l'huile. Tout contact avec de l'huile occasionnera le gonflement du caoutchouc. Les bulles qui se forment alors sur le caoutchouc risquent de provoquer des fuites. Protéger la surface de la toiture pour éviter toute exposition au réfrigérant et à l'huile lors de l'installation et des interventions d'entretien. Tout manquement à cette recommandation risque d'entraîner un endommagement de la toiture.

Fixation de l'unité extérieure sur une dalle, un cadre ou des rails

Si l'unité extérieure est installée sur une dalle ou un cadre fourni par l'installateur, utiliser des tirefonds ou des dispositifs de fixation équivalents pour bien fixer l'unité extérieure à la dalle ou au cadre.

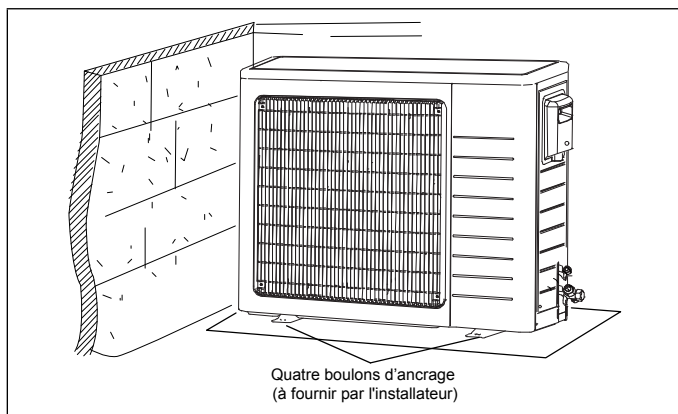


Figure 14. Fixation de l'unité extérieure sur une dalle

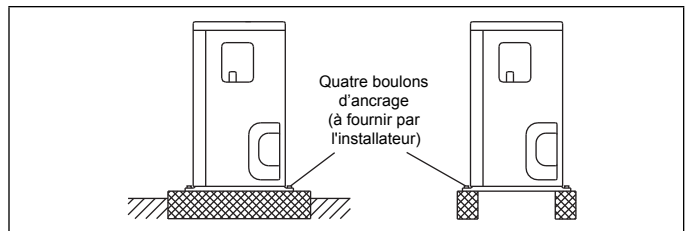


Figure 15. Fixation de l'unité extérieure sur des rails

Fixation de l'unité extérieure sur des pattes de support

Si l'unité extérieure est installée sur des pattes de support fournies par l'installateur, utiliser des tirefonds ou des fixations équivalentes pour bien fixer l'unité extérieure à la patte. Le dégagement arrière minimum peut être de 6 pouces (152 mm) si l'unité est montée sur des pattes sans obstructions sur aucun des trois autres côtés. Prévoir le drainage du condensat si les unités sont installées les unes au-dessus des autres.

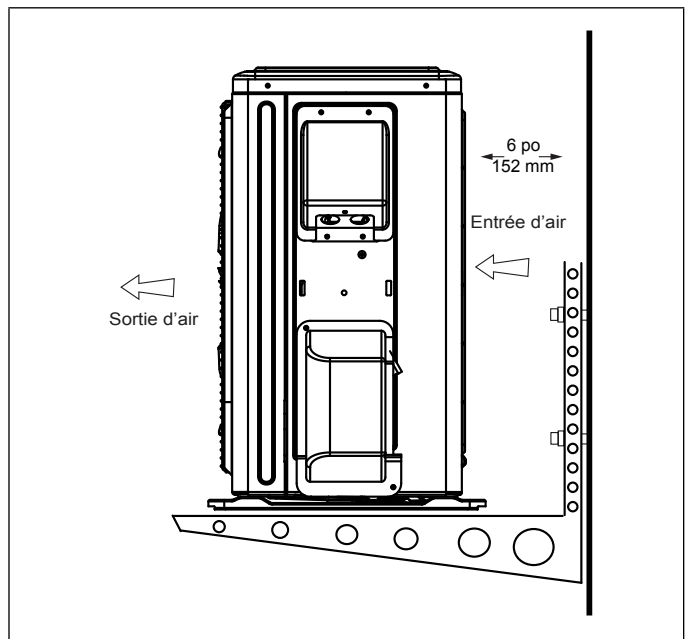


Figure 16. Fixation de l'unité extérieure sur des équerres

Connexions des conduites de réfrigérant

Les conduites comprennent deux conduites en cuivre entre l'unité extérieure et l'unité intérieure. Le « Tableau 9. Dimensions des connexions des conduites de réfrigérant sur l'unité intérieure » à la page 24 indique les tailles des connexions. Les connexions sont effectuées à l'aide d'écrous évasés en laiton à l'extrémité des conduites de réfrigérant.

1. Choisir les dimensions correctes pour l'application à l'aide du « Tableau 9. Dimensions des connexions des conduites de réfrigérant sur l'unité intérieure » à la page 24.
2. Confirmer que les conduites sont du bon diamètre.
3. Déterminer la longueur nécessaire pour l'application.

4. Couper les conduites avec un coupe-tube. Les coupes doivent être plates et lisses comme illustrées à la « Figure 17. Coupe des conduites ».

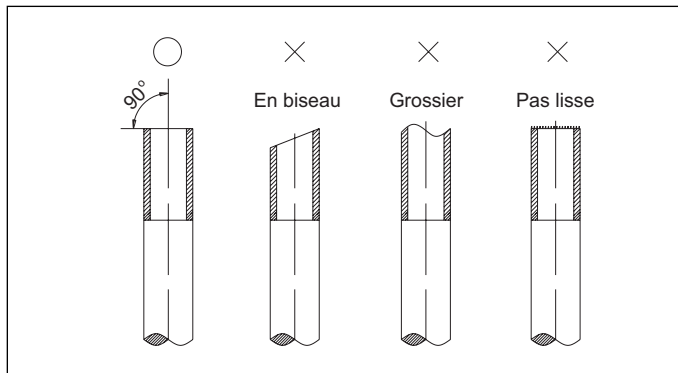


Figure 17. Coupe des conduites

5. Isoler les conduites en cuivre.
6. Insérer un écrou évasé sur chaque conduite avant de l'évaser.
7. Voir le « Tableau 8. Évasement des tubes » pour évaser correctement les conduites.

Tableau 8. Évasement des tubes

Diamètre du tube	Dimension de l'évasement A (mm)		Profil de l'évasement
	Mini	Maxi	
1/4 po (6,35)	8,3	8,7	
3/8 po (9,62)	12,0	12,4	
1/2 po (9,52)	15,4	15,8	
5/8 po (15,9)	18,6	19,1	
3/4 po (22,9)	22,9	23,3	

8. Après avoir évasé la conduite, boucher provisoirement les extrémités avec de la bande adhésive pour empêcher les contaminants de pénétrer dans le tube.
9. L'obturation des connexions des conduites de réfrigérant de l'unité doit rester intacte aussi longtemps que possible afin d'empêcher la poussière et l'eau de pénétrer dans les conduites de réfrigérant avant leur connexion.
10. Ajuster **SOIGNEUSEMENT** les connexions des conduites de réfrigérant en fonction de l'application.
11. Desserrer lentement l'un des écrous évasés pour libérer l'azote chargé en usine de l'unité intérieure uniquement.
12. Retirer les écrous évasés des connexions de l'unité et jeter la bande adhésive d'obturation des connexions des conduites.
13. Enfiler les écrous évasés sur les conduites de réfrigérant fournies par l'installateur, puis utiliser un outil adéquat pour évaser l'extrémité des tubes en cuivre.
14. Appliquer un lubrifiant recommandé pour réfrigérant HFC-410A sur l'extérieur des conduites de réfrigérant évasées.

IMPORTANT

Le compresseur de cette unité contient de l'huile d'éther polyvinylique (EPV). L'huile EPV est formulée pour les réfrigérants hydrofluorocarbonés (HFC) tels que le HFC-410A contenu dans ce système. Bien qu'il puisse exister une certaine miscibilité avec l'huile minérale et l'huile d'ester à base de polyol (POE), il n'est pas recommandé de mélanger de l'huile EPV avec tout autre type d'huile pour compresseur de réfrigérant.

15. Aligner les conduites de réfrigérant évasées sur les connexions filetées. Commencer par serrer légèrement les écrous évasés pour assurer qu'ils s'engagent correctement comme illustré à la « Figure 18. Réalisation des connexions mâles-femelles ».

Tableau 9. Dimensions des connexions des conduites de réfrigérant sur l'unité intérieure

Puissance (Btu/h)	Conduite de liquide (po)	Conduite de gaz (po)
9000	1/4	3/8
12000	1/4	1/2
18000	1/4	1/2
24000	3/8	5/8

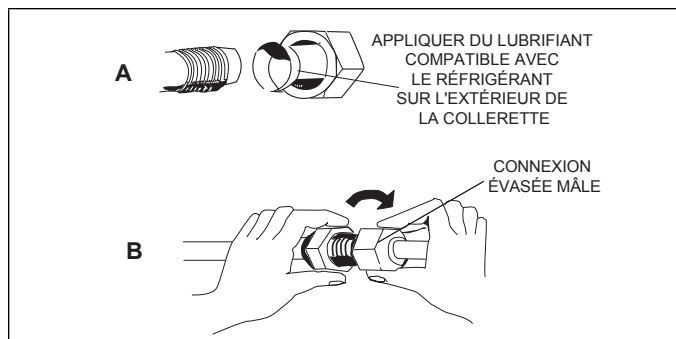


Figure 18. Réalisation des connexions mâles-femelles

16. Ensuite, visser chaque écrou d'un demi-tour supplémentaire, ce qui devrait créer une connexion étanche. Une clé dynamométrique peut être utilisée pour serrer les écrous évasés aux valeurs recommandées indiquées au « Tableau 10. Couple de serrage recommandé pour les écrous évasés ». **Ne pas trop serrer les connexions évasées. Les connexions évasées doivent toujours être accessibles et doivent être isolées pour éviter la condensation.**
17. Une fois que les conduites de réfrigérant ont été installées et leur étanchéité vérifiée, installer l'isolation sur toutes les connexions évasées.

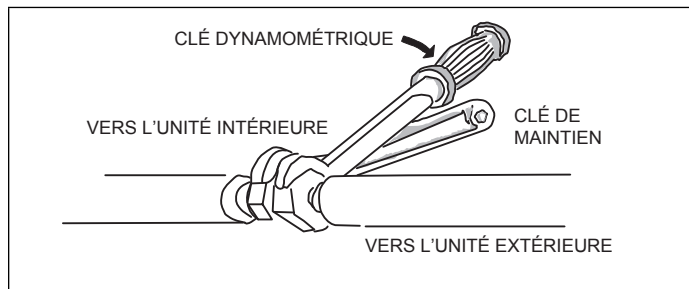


Figure 19. Serrer l'écrou évasé

Tableau 10. Couple de serrage recommandé pour les écrous évasés

Diamètre extérieur	Couple recommandé	Pas de clé dynamométrique disponible?
pouces		Serrer à la main, puis serrer avec une clé de la bonne dimension d'un supplément de:
1/4	15 ft-lb (20 N-m)	1/4 tour
3/8	26 ft-lb (35 N-m)	1/2 tour
1/2	41 ft-lb (56 N-m)	7/8 tour
5/8	48 ft-lb (65 N-m)	1 tour complet

Installation de l'unité intérieure

⚠ ATTENTION

Afin d'éviter les blessures, prendre les précautions nécessaires pour lever des objets lourds.

Se reporter aux instructions d'installation fournies avec l'unité intérieure.

IMPORTANT

Connecter et câbler chaque zone séparément.

Tester chaque unité intérieure séparément pour assurer qu'elle fonctionne correctement.

Connexion d'unités intérieures de différentes capacités

- La plus grosse unité intérieure doit être connectée au plus petit port de réfrigérant l'unité extérieure.
- L'unité intérieure de 24 000 BTU ne peut être connectée qu'aux unités extérieures MPC036S4M, MPC048S4M, MLB036S4M et MLB048S4M.

REMARQUE : Chaque unité intérieure doit être connectée ET câblée aux bornes et aux connexions de zone correctes. S'assurer que l'unité intérieure A est câblée au bornier de la zone A et connectée aux connexions des conduites de réfrigérant appropriées.

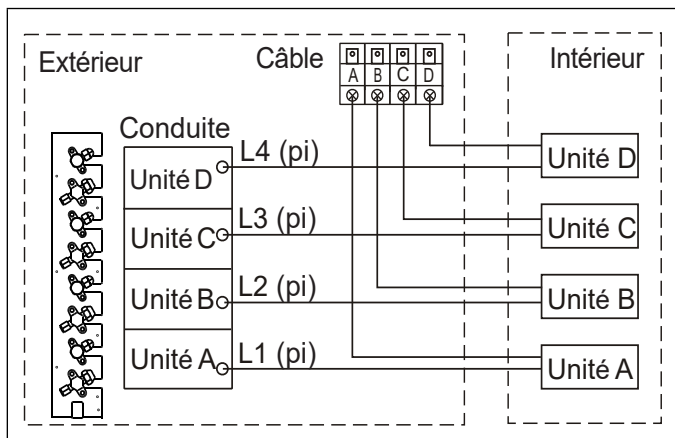


Figure 20. Connecter et câbler chaque zone séparément.

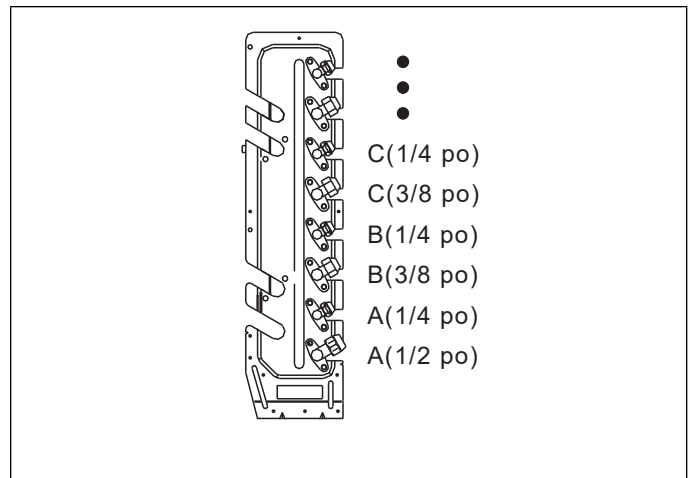


Figure 21. Connexion d'unités intérieures de différentes capacités

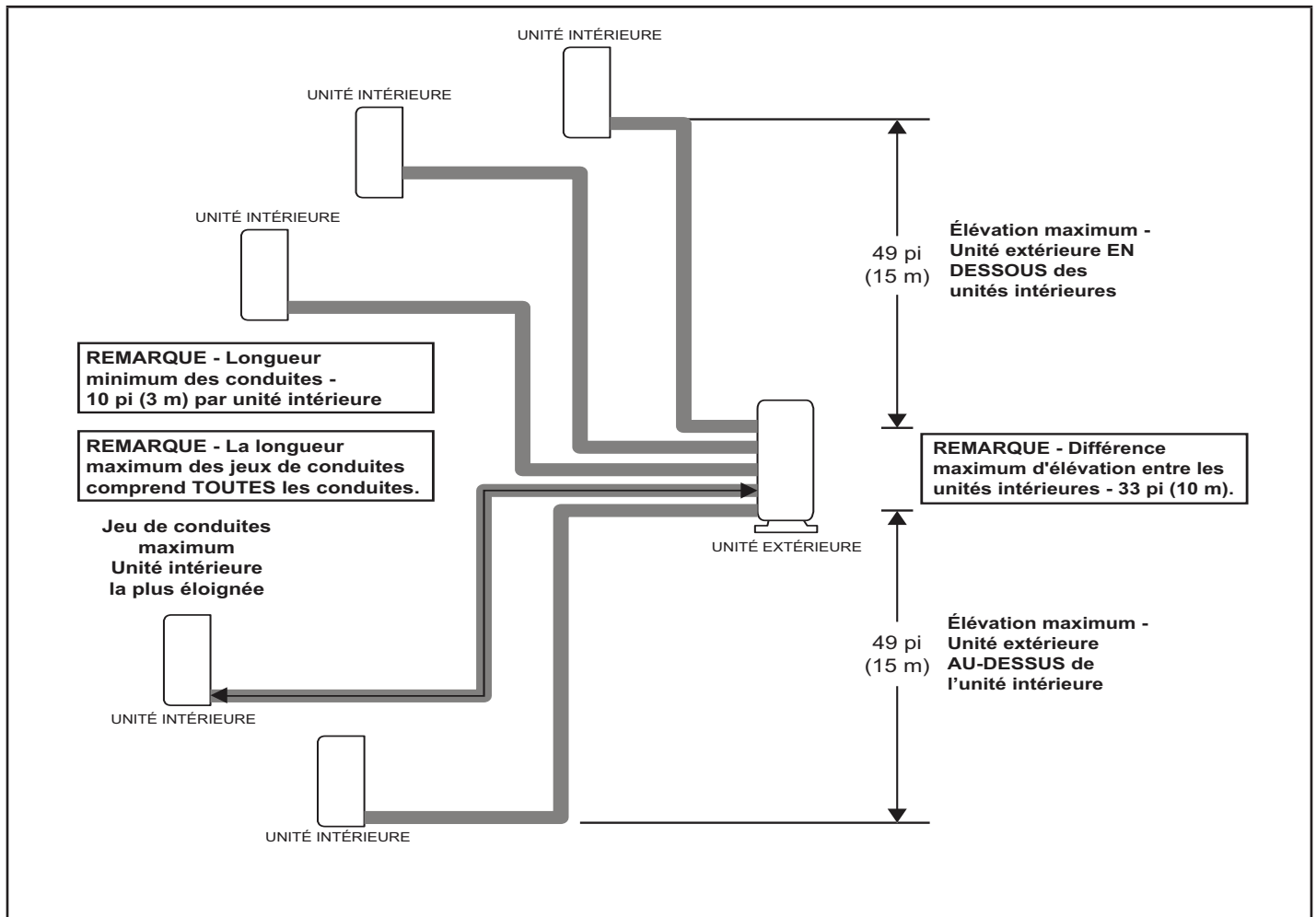


Figure 22. Élévation des jeux de conduites des systèmes MLB et MPC

Tableau 11. Longueur maximale du jeu de lignes

Numéro de modèle de l'unité extérieure	MPC018S4M	MPC024S4M	MPC030S4M	MPC036S4M	MPC048S4M
Nombre maximal d'unités intérieures/zones	Deux	Trois	Trois	Fouré	Cinq
Connexions de l'unité intérieure	(2) 1/4 liq. (2) 3/8 gaz	(3) 1/4 liq. (3) 3/8 gaz	(3) 1/4 liq. (3) 3/8 gaz	(4) 1/4 liq. (3) 3/8 gaz (1) 1/2 gaz	(5) 1/4 liq. (3) 3/8 gaz (2) 1/2 gaz
Longueur maximale du tuyau pour toutes les pièces	131 pi. (40 m)	197 pi. (60 m)	197 pi. (60 m)	262 pi. (80 m)	262pift. (80 m)
Longueur maximale du tuyau pour toutes les pièces	82 pi. (25 m)	98 pi. (30 m)	98 pi. (30 m)	115 pi. (35 m)	115 pi. (35 m)

REMARQUE - Reportez-vous aux tableaux "Connexions de la ligne de l'unité extérieure à l'unité intérieure" commençant à la page <?> pour les adaptateurs de ligne de réfrigérant corrects fournis avec les unités extérieures.

Tableau 12. Adaptateurs pour jeu de conduites

Nombre de zones	Modèle	Nombre x Côté liquide/Côté gaz (pouce)	Adaptateur	Nombre d'adaptateurs
2	MPC018S4M-1P	2 X (1/4 po/3/8 po)	3/8 po -->1/2 po	2
3	MPC024S4M-1P MPC030S4M-1P	3 X (1/4 po/3/8 po)	3/8 po -->1/2 po	3
4	MPC036S4M-1P	3x (1/4 po/3/8 po) & 1x (1/4 po/1/2 po)	3/8 po -->1/2 po	3
			1/2 po -->3/8 po	1
			1/4 po -->3/8 po	1
			1/2 po -->5/8 po	1
5	MPC048S4M-1P	3x (1/4 po/3/8 po) & 2x (1/4 po/1/2 po)	1/2 po -->3/8 po	2
			1/4 po -->3/8 po	2
			1/2 po -->5/8 po	2
			3/8 po -->1/2 po	3
2	MLB018S4M-1P	2 X (1/4 po/3/8 po)	3/8 po -->1/2 po	2
3	MLB030S4M-1P	3x (1/4 po/3/8 po)	3/8 po -->1/2 po	2
			1/2 po -->3/8 po	1
			1/4 po -->3/8 po	1
			1/2 po -->5/8 po	1
4	MLB036S4M-1P	3x (1/4 po/3/8 po) & 1x (1/4 po/1/2 po)	3/8 po -->1/2 po	2
			1/2 po -->3/8 po	2
			1/4 po -->3/8 po	2
			1/2 po -->5/8 po	2
5	MLB048S4M-2P	3x (1/4 po/3/8 po) & 2x (1/4 po/1/2 po)	1/2 po -->3/8 po	2
			1/4 po -->3/8 po	2
			1/2 po -->5/8 po	2
			3/8 po -->1/2 po	3

Test de détection des fuites et évacuation

L'air et l'humidité restants dans le système ont les effets indésirables suivants:

- Augmentation de la pression du système.
- Augmentation du courant en fonctionnement.
- Réduction d'efficacité de la climatisation ou du chauffage.
- L'humidité contenue dans le circuit du réfrigérant peut geler.
- L'eau risque de corroder les composantes du système de réfrigération.

Les conduites entre les unités intérieure et extérieure doivent faire l'objet d'une détection des fuites et être évacuées pour éliminer les produits non condensables et l'humidité du système.

Détection des fuites

Utiliser la procédure suivante pour vérifier l'absence de fuites dans le système:

1. Raccorder le jeu de manomètres et la bouteille d'azote sec aux orifices de service de liquide et de gaz.
2. Ouvrir le robinet de la bouteille d'azote.
3. Pressuriser le système conformément aux spécifications du « Tableau 13. Spécifications des pressions d'essai ».
4. Vérifier que la pression du système est stable. En cas de variation, vérifier que le système ne fuit pas.
5. Après avoir confirmé que le système ne fuit pas:
 - Fermer le robinet de la bouteille d'azote.

- Relâcher l'azote en dévissant le connecteur du flexible de charge sur la bouteille d'azote.
- Une fois que la pression du système est retournée à la normale, déconnecter le flexible de la bouteille.

IMPORTANT

Utiliser uniquement de l'azote sans oxygène.

Procédure d'évacuation triple

Un vacuomètre doit être utilisé pour cette procédure.

1. Libérer l'azote sans oxygène et évacuer le système à un vide de 8000 microns (8 Torr) en utilisant toutes les vannes de service.
2. Casser le vide en admettant de l'azote par les connexions des conduites de liquide et de gaz jusqu'à obtention d'une pression positive.
3. Évacuer le système à un vide de 5000 microns (5 Torr).
4. Casser le vide en admettant de l'azote par les connexions des conduites de liquide et de gaz jusqu'à obtention d'une pression positive.
5. Évacuer le système à un vide minimum de 500 microns (0,5 Torr).
6. Pour assurer un système sans humidité, s'assurer que le vide ne varie pas pendant un minimum de 4 heures.
7. Si le vide ne tient pas, répéter les étapes 2 à 6 jusqu'à ce que le vide tienne.

Tableau 13. Spécifications des pressions d'essai

1	3 bars	44 psig	Minimum de 10 minutes
2	15 bars	220 psig	Minimum de 10 minutes
3	32 bars	470 psig	Minimum de 10 minutes
4	45 bars	650 psig	1 heure. Test de résistance pour assurer l'intégrité de l'installation terminée.
5	32 bars	470 psig	24 heures. Test à une pression inférieure après confirmation que l'étape n° 4 est satisfaisante.

Câblage

IMPORTANT

Installer l'unité pour que le sectionneur soit accessible.

Utiliser le câblage et les câbles spécifiés pour effectuer les connexions électriques. Bien serrer les câbles et s'assurer que les connexions sont bien serrées pour éviter toute détérioration du câblage. Des connexions électriques mal serrées peuvent causer la défaillance de l'équipement, voire un incendie.

Le câblage doit être installé de manière à ce que toutes les plaques d'accès puissent être correctement fermées.

⚠ AVERTISSEMENT

Risque de choc électrique. Peut causer des blessures ou la mort. L'unité doit être mise à la terre conformément aux codes nationaux et locaux.

La tension du secteur est présente sur toutes les composantes quand l'unité ne fonctionne pas. Déconnecter toutes les sources d'alimentation extérieures avant d'ouvrir le panneau d'accès. L'unité peut avoir plusieurs sources d'alimentation électrique.

⚠ ATTENTION

Toutes les bornes doivent être connectées comme illustré aux schémas suivants. Un câblage incorrect peut endommager l'unité ou causer des erreurs de communication entre les unités intérieure et extérieure.

Aux États-Unis, le câblage doit être conforme aux codes locaux en vigueur et au National Electric Code (NEC) en vigueur. Au Canada, le câblage doit être conforme aux codes locaux en vigueur et au Code canadien de l'électricité (CCE) en vigueur.

Unité extérieure

- Consulter la plaque signalétique de l'unité pour déterminer l'ampérage minimal du circuit et la taille de la protection contre les surtensions maximales.
- Toutes les connexions d'alimentation doivent être faites au niveau de l'unité extérieure.
- S'assurer de bien réinstaller les couvercles de toutes les boîtes de jonction une fois les connexions terminées.

Unités intérieures

Pour de plus amples détails, se reporter aux instructions d'installation fournies avec l'unité intérieure.

Fonction de câblage automatique et de correction des conduites

Un « bouton de vérification » sur le contrôleur de l'unité extérieure examine le câblage des zones et des connexions des conduites

et affiche « CE » si toutes les connexions sont correctes. Si une ou plusieurs unités ne sont pas connectées à la zone correcte, le contrôleur modifie automatiquement le câblage vers la zone correcte en fonction de la puissance de l'unité intérieure.

Tous les modèles comprennent maintenant une fonction de correction automatique des erreurs de câblage et d'installation des conduites.

Comment activer cette fonction

1. Vérifier que la température extérieure est supérieure à 41 °F (5 °C). Cette fonction n'est pas utilisable si la température extérieure est inférieure à 41 °F (5 °C).
2. Vérifier que les vannes de service des conduites de liquide et de gaz sont ouvertes.
3. Fermer le disjoncteur et attendre au moins deux minutes.
4. Appuyer sur le bouton de vérification du contrôleur de l'unité extérieure et le maintenir enfoncé pendant cinq seconds ou jusqu'à ce que la DEL affiche « CE », puis relâcher le bouton. Le code CE indique que la fonction fonctionne correctement.
5. Environ 5-10 minutes après que le bouton a été relâché, le code « CE » disparaît. Cela indique que les erreurs de câblage/connexions éventuelles ont été corrigées et que le système est maintenant opérationnel.

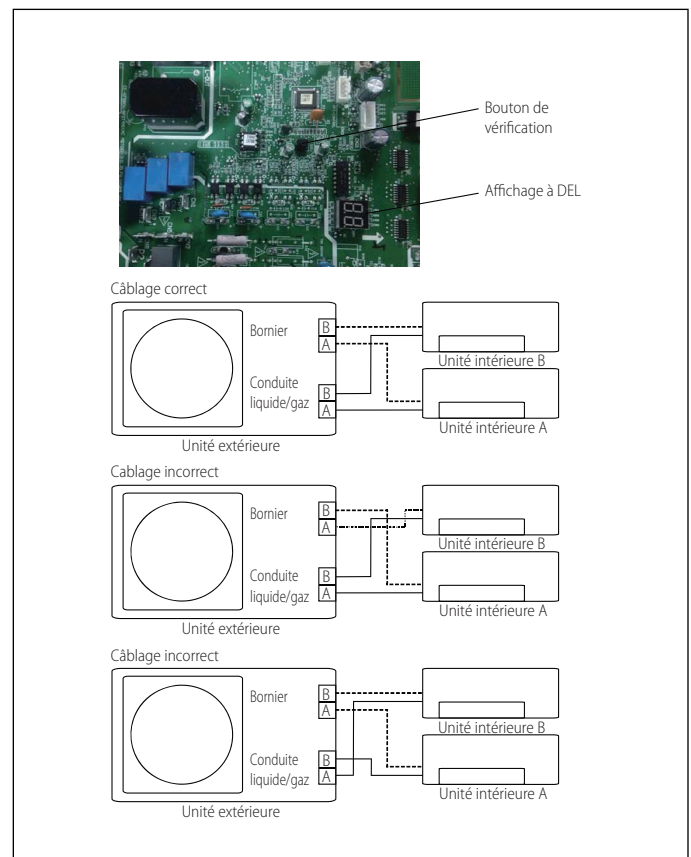


Figure 23. Câblage correct et incorrect

IMPORTANT

Tous les schémas de câblage (Figure 27 à Figure 33) sont des schémas typiques. Voir le schéma de câblage sur l'unité pour le câblage réel de l'unité.

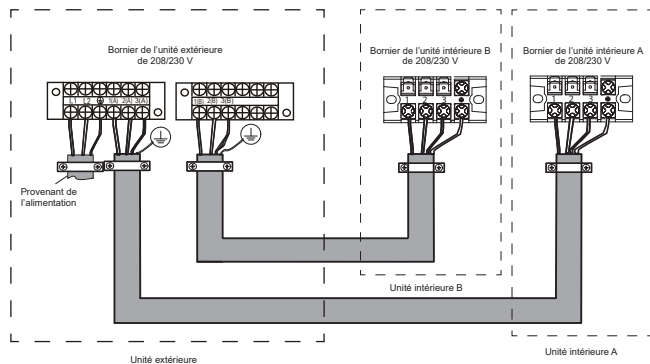


Figure 24. Schéma de connexion - Systèmes 24k et moins

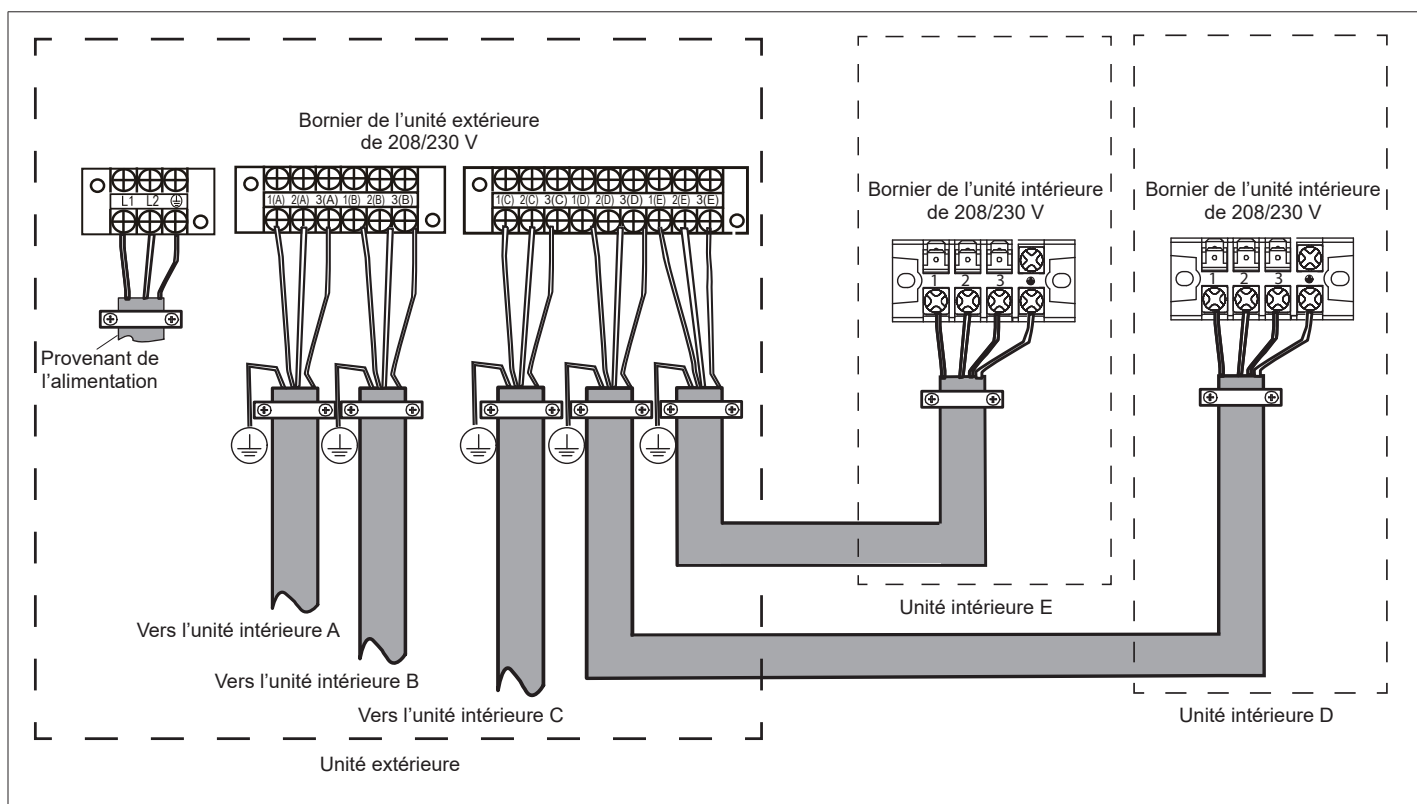


Figure 25. Schéma de câblage

Tableau 14. Exigences de câblage pour une installation multizone

Désignations des bornes et des systèmes	Puissance du système	Tension du système	Nombre de conducteurs	Type de fil	Grosseur du fil / MOCP
					AMC / Fusible Maximum
Unité intérieure vers extérieure					
Câblage intérieur vers extérieur (Communication/Alimentation) 1, 2, 3 et GND	06K	208/230 VCA	4	Bloqué et non blindé	14AWG / 15A
Câblage intérieur vers extérieur (Communication/Alimentation) 1, 2, 3 et GND	09K et 12K	208/230 VCA	4	Bloqué et non blindé	14AWG / 15A
Câblage intérieur vers extérieur (Communication/Alimentation) 1, 2, 3 et GND	18K	208/230 VCA	4	Bloqué et non blindé	14AWG / 15A
Câblage intérieur vers extérieur (Communication/Alimentation) 1, 2, 3 et GND	24K	208/230 VCA	4	Bloqué et non blindé	14AWG / 15A
Unité extérieure multizone vers alimentation principale					
De l'extérieur à l'alimentation principale L1, L2 et GND	18K	208/230 VCA	3	Bloqué et non blindé	25A
					AMC: 18*; fusible maximum: 25* AMC: 20**; fusible maximum: 25**
De l'extérieur à l'alimentation principale L1, L2 et GND	24K	208/230 VCA	3	Bloqué et non blindé	30A*
					MCA: 24.5*; fusible maximum: 30*
De l'extérieur à l'alimentation principale L1, L2 et GND	30K	208/230 VCA	3	Bloqué et non blindé	30A*/40A**
					AMC: 24.5*; fusible maximum: 30* AMC: 25**; fusible maximum: 40**
De l'extérieur à l'alimentation principale L1, L2 et GND	36K	208/230 VCA	3	Bloqué et non blindé	40A*/60A**
					AMC: 25*; fusible maximum: 40* AMC: 40**; fusible maximum: 60**
De l'extérieur à l'alimentation principale L1, L2 et GND	48K	208/230 VCA	3	Bloqué et non blindé	60A*/50A**
					AMC: 40*; fusible maximum: 60* AMC: 42**; fusible maximum: 50**
* MPC; **MLB AMC = Ampérage minimum du circuit MOCP = Protection maximale contre les surintensités					

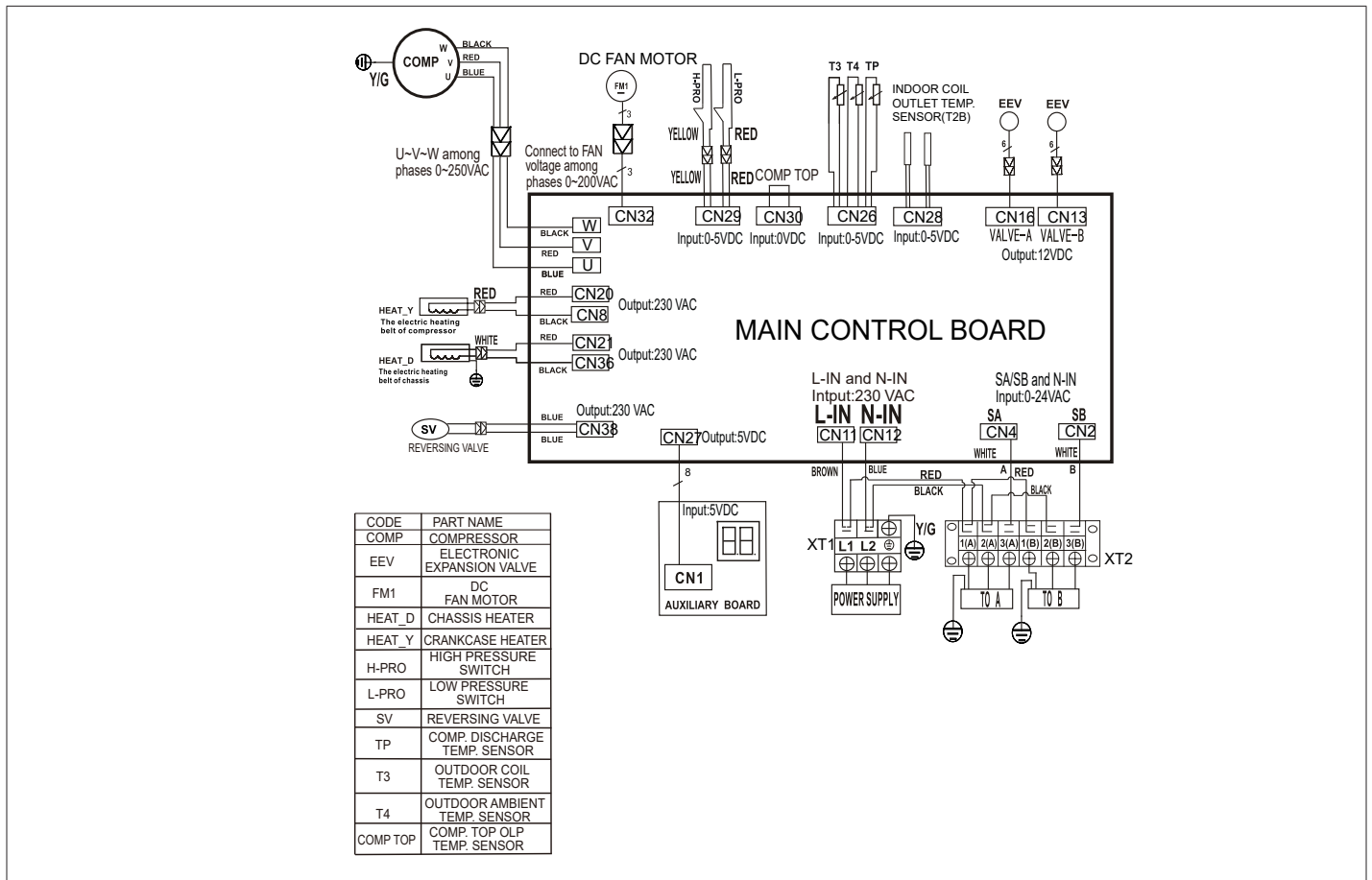


Figure 26. Schéma de câblage de l'unité extérieure MPC018S4M-*P

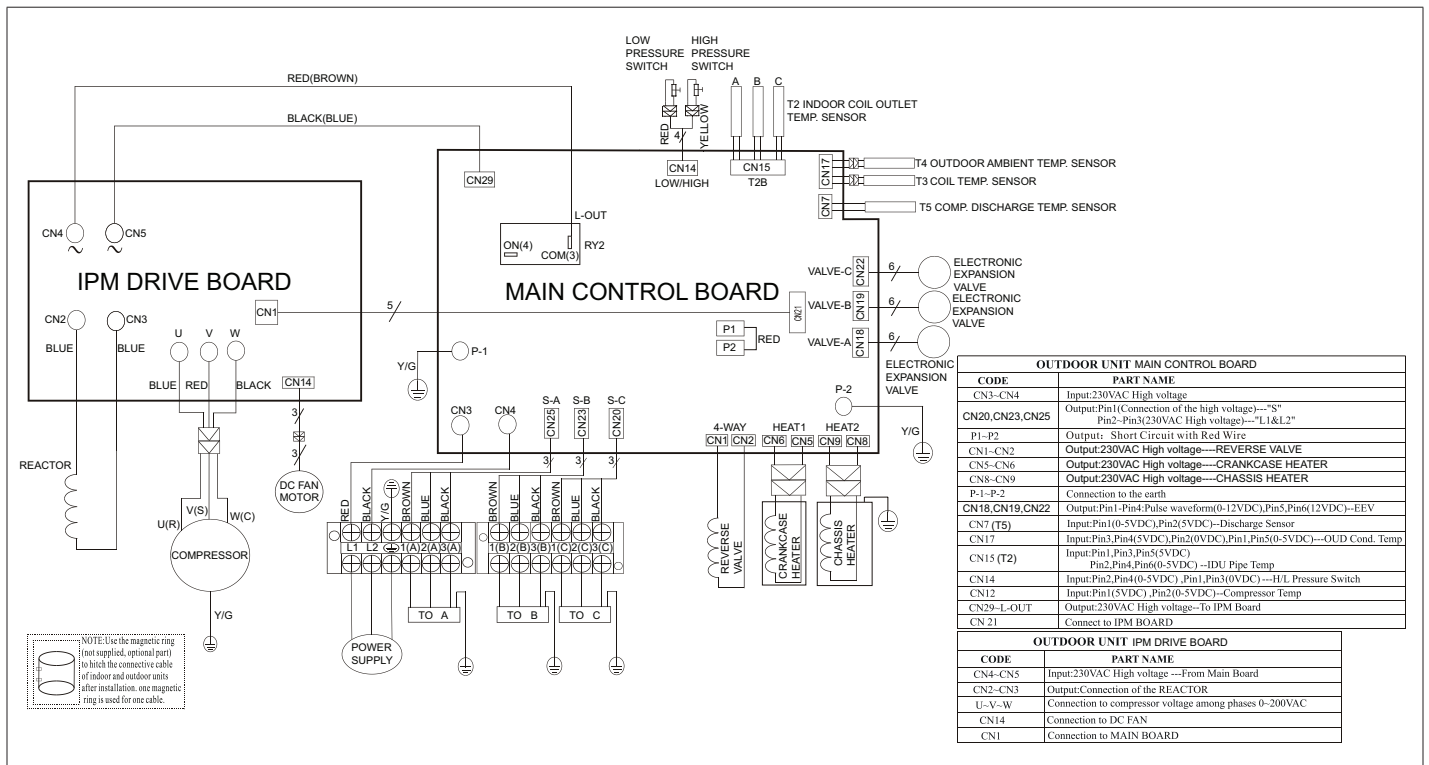


Figure 27. Schéma de câblage de l'unité extérieure MPC024S4M-*P

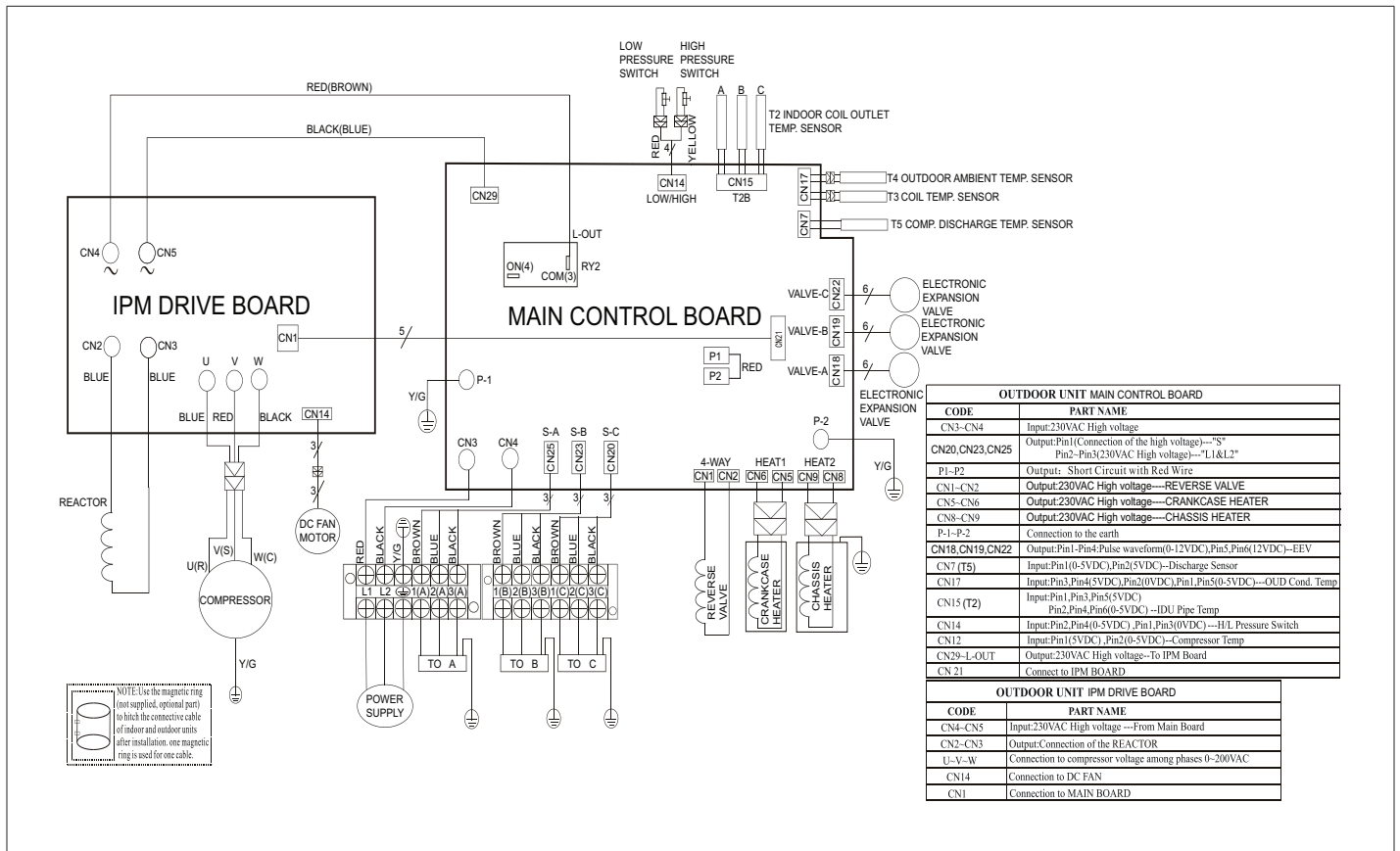


Figure 28. Schéma de câblage de l'unité extérieure MPC030S4M-*P

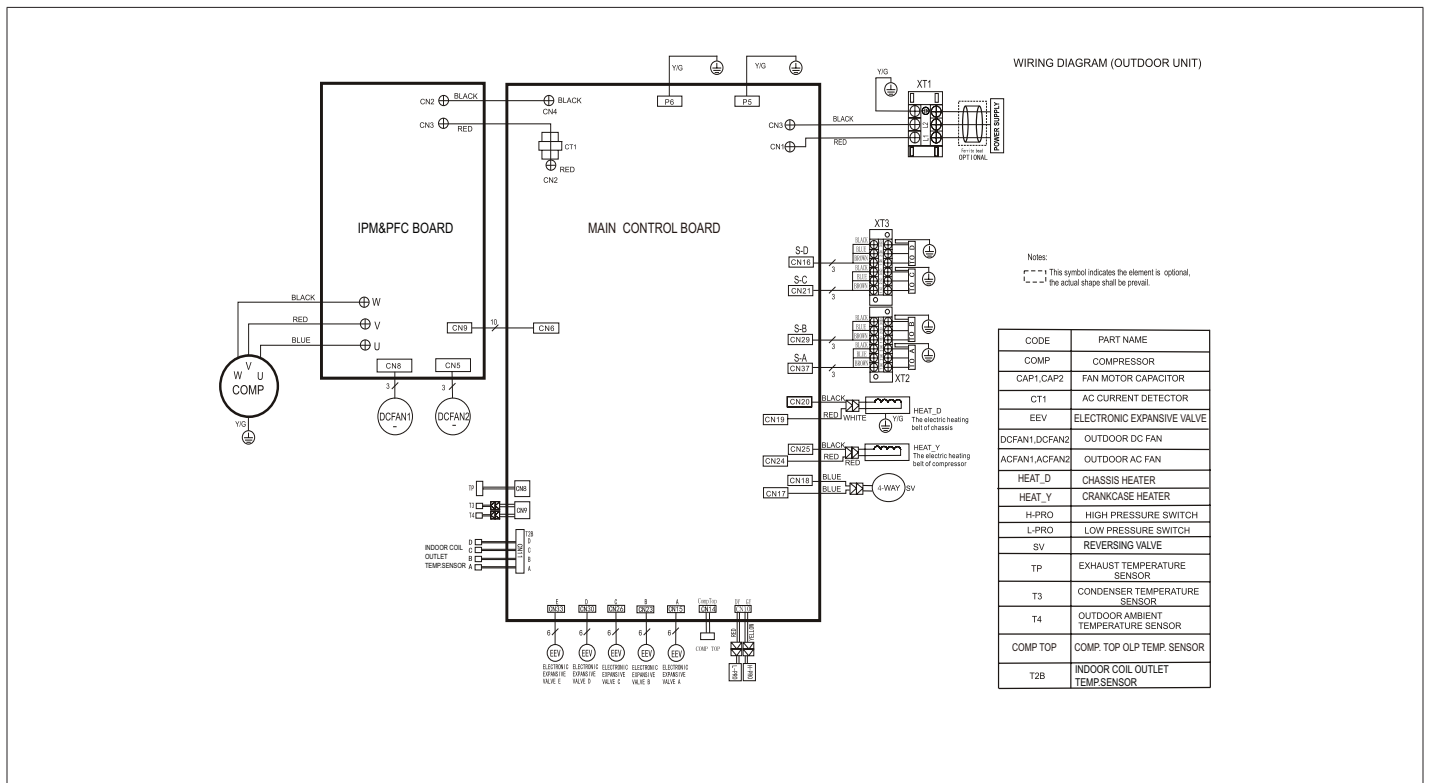


Figure 29. Schéma de câblage de l'unité extérieure MPC036S4M-*P

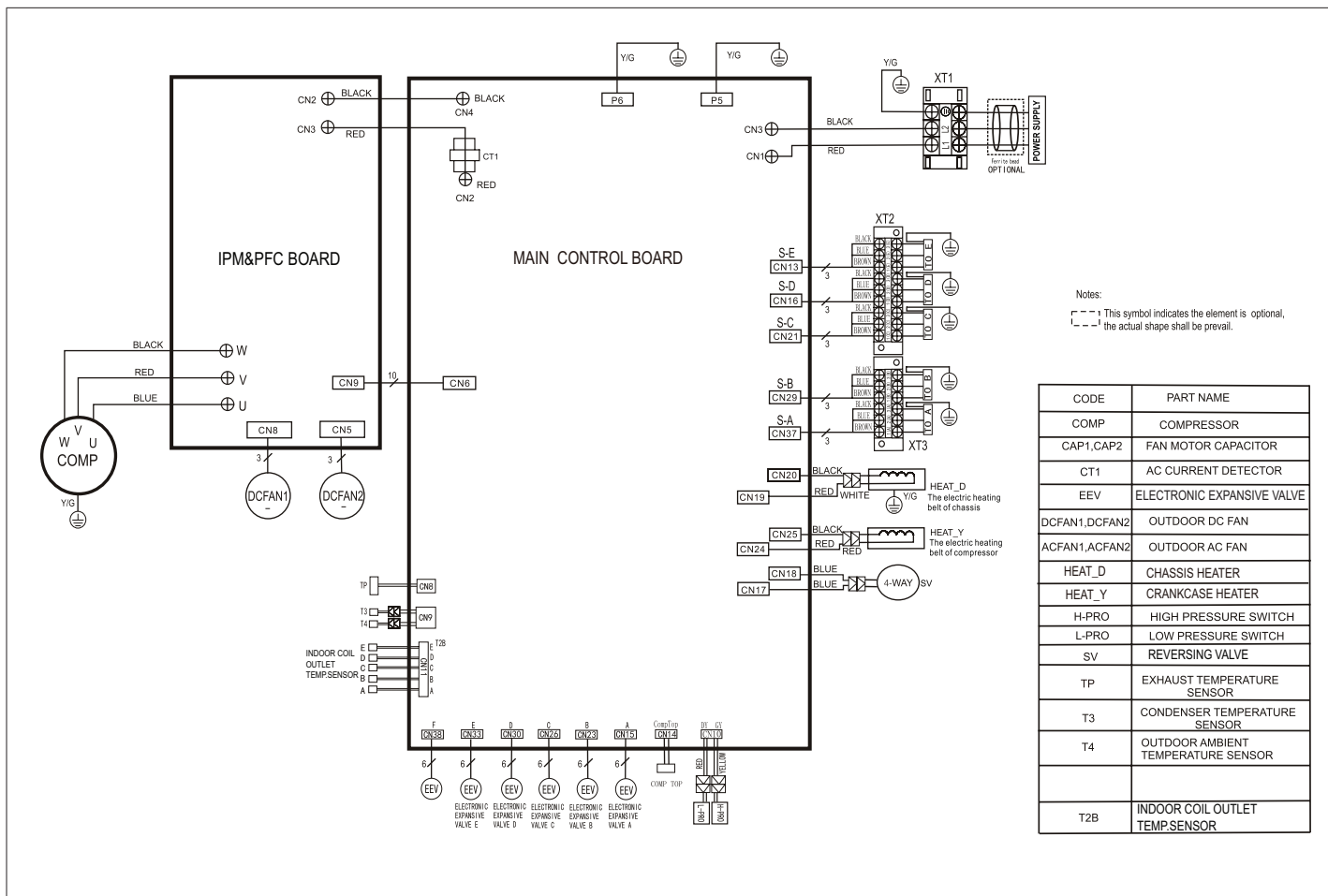


Figure 30. Schéma de câblage de l'unité extérieure MPC048S4M-*P

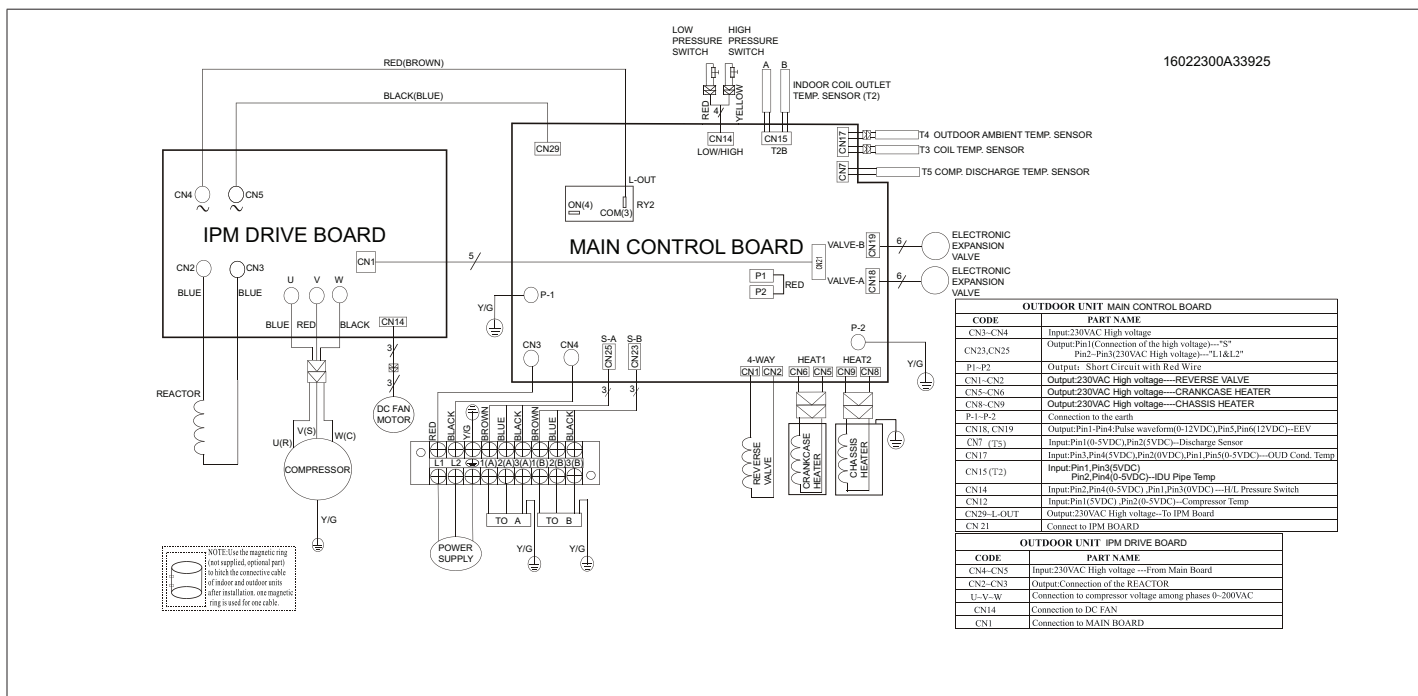


Figure 31. Schéma de câblage de l'unité extérieure MLB018S4M-*P

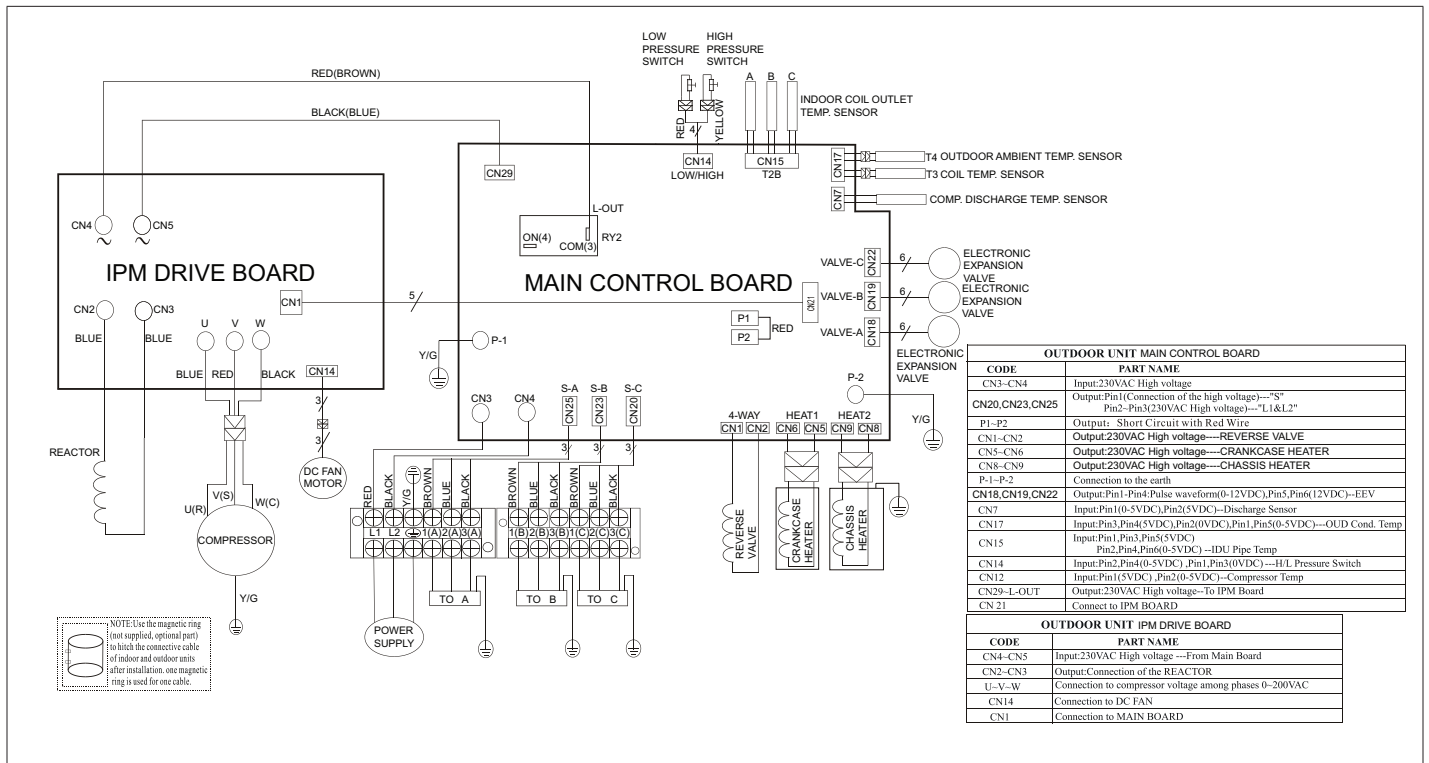


Figure 32. Schéma de câblage de l'unité extérieure MLB030S4M-*P

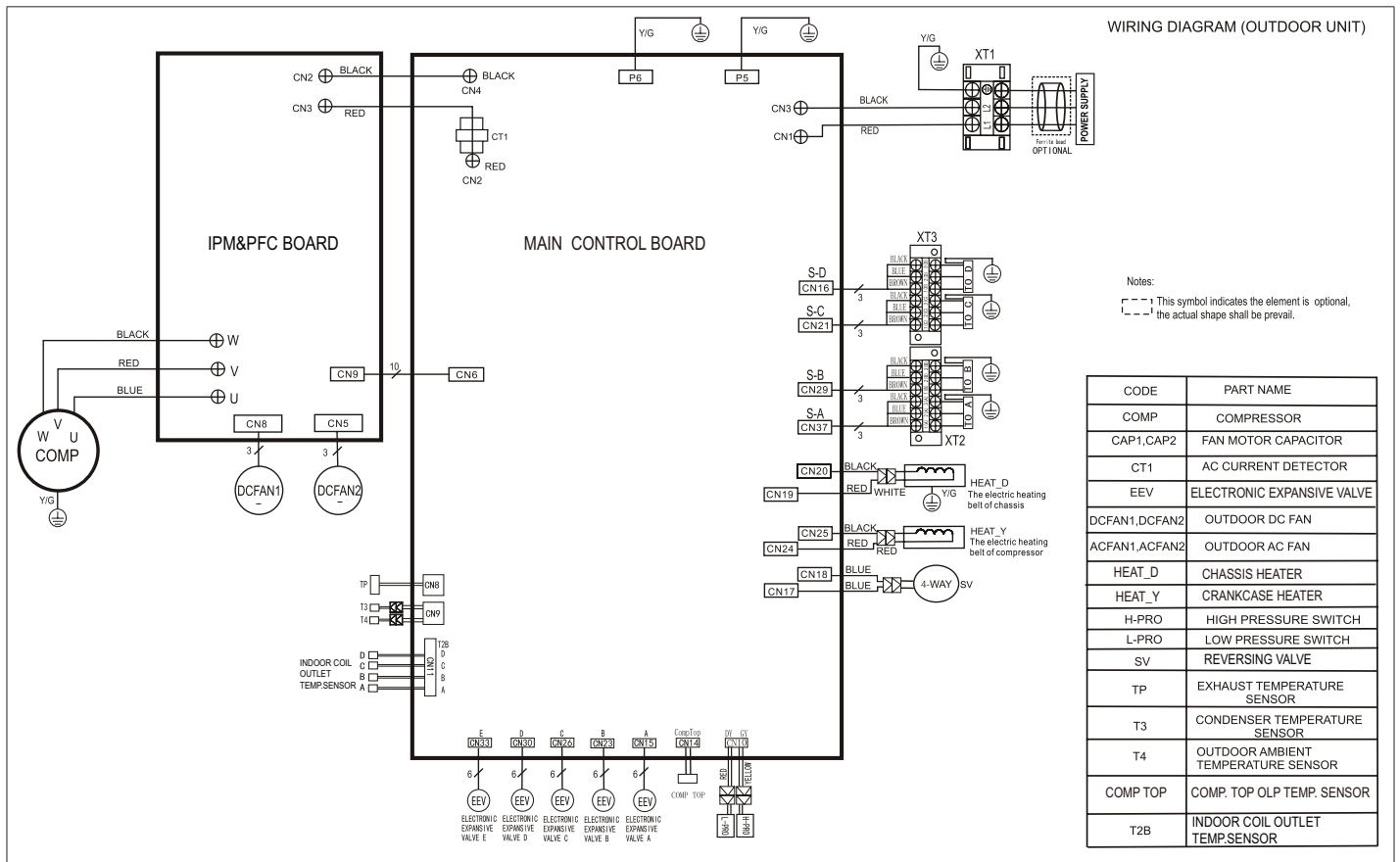


Figure 33. Schéma de câblage de l'unité extérieure MLB036S4M-*P

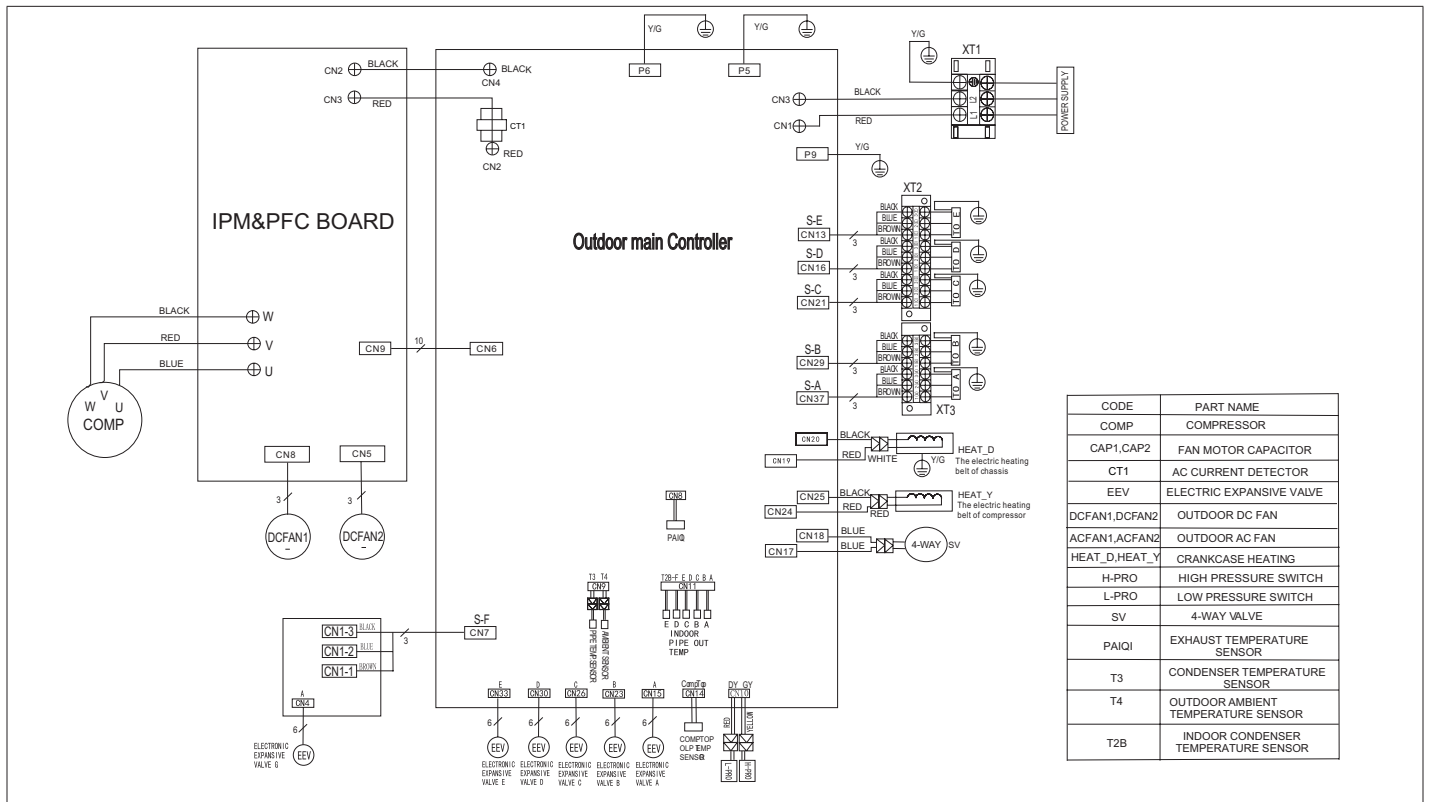


Figure 34. Schéma de câblage de l'unité extérieure MLB048S4M-*P

Mise en service de l'unité

IMPORTANT

Les unités doivent être mises sous tension 24 heures avant leur démarrage pour empêcher tout endommagement du compresseur par « coup de liquide ».

1. Confirmer l'intégrité de toutes les connexions électriques effectuées en usine et sur place.
2. Vérifier que le jeu de manomètres est connecté.
3. Au besoin, ajouter une charge de réfrigérant supplémentaire avant d'ouvrir les vannes et pendant que le système est encore sous vide.
4. Ouvrir les vannes maitresses des conduites de liquide et de gaz et chaque vanne de service des ports individuels pour libérer dans le système la charge de réfrigérant contenue dans l'unité extérieure.
5. Remettre les capuchons de tige en place et serrer au couple indiqué au « Tableau 7. Couples de serrage » à la page 20.
6. Vérifier l'alimentation électrique au bornier de l'unité extérieure. La tension doit être comprise dans les limites précisées sur la plaque signalétique. Sinon, ne pas mettre l'équipement en marche avant d'avoir contacté la compagnie d'électricité et corrigé la situation.
7. Se reporter au guide de l'utilisateur pour savoir comment utiliser le système à l'aide du contrôleur fourni.
8. Vérifier visuellement que les ventilateurs intérieur et extérieur ne sont pas grippés.

Charge de réfrigérant

L'unité extérieure est chargée de réfrigérant en usine. Calculer la charge de réfrigérant supplémentaire nécessaire en fonction de la longueur de la conduite de liquide (un seul sens) entre les connexions de l'unité extérieure et des unités intérieures.

S'assurer d'ajouter la quantité correcte de réfrigérant. Le non respect de cette consigne peut réduire le rendement du système.

Tableau 15. Charge de réfrigérant

Système	Pré-charge Longueur de la conduite	Quantité de réfrigérant à ajouter
Deux ports	50 pi (15 m)	0,16 oz ((L1 pi + L2 pi) - 50 pi) 0,005 kg ((L1 m + L2 m) - 15 m)
Trois ports	75 pi (23 m)	0,16 oz ((L1 pi + L2 pi + L3 pi) - 75 pi) 0,005 kg ((L1 m + L2 m + L3 m) - 23 m)
Quatre ports	100 pi (30 m)	0,16 oz ((L1 pi + L2 pi + L3 pi + L4 pi) - 100 pi) 0,005 kg ((L1 m + L2 m + L3 m + L4 m) - 30 m)
Cinq ports	125 pi (38 m)	0,16 oz ((L1 pi + L2 pi + L3 pi + L4 pi + L5 pi) - 125 pi) 0,005 kg ((L1 m + L2 m + L3 m + L4 m + L5 m) - 38 m)

Codes d'erreur des unités extérieures multi-zones

Les codes d'erreur sont affichés sur le circuit imprimé principal de toutes les unités extérieures multi-zones.

Tableau 16. Codes d'erreur des unités extérieures multi-zones MLB et MPC

Affichage	Dysfonctionnement et protection
EL01	Erreur de communication entre les unités intérieure et extérieure.
FL14	Erreur de communication entre l'unité intérieure et l'unité extérieure
EC50	Erreur -- Capteur de température extérieure.
EC51	Erreur EEPROM de l'unité extérieure
EC52	Dysfonctionnement du capteur de température du serpentin du condenseur (T3).
EC53	Dysfonctionnement du capteur de température ambiante extérieure (T4).
EC54	Capteur de température de refoulement du compresseur (TP) ouvert ou court-circuité.
EC55	Défaillance du capteur de température du module IPM de l'unité extérieure
EC56	Erreur -- Capteur T2B extérieur.
EC57	Erreur -- Capteur de température de conduite de réfrigérant.
EC07	Défaillance du moteur CC du ventilateur extérieur/vitesse du ventilateur hors contrôle.
EC71	Surtension du moteur CC du ventilateur extérieur.
EC72	Erreur de phase du moteur CC du ventilateur extérieur.
PC00	Protection du module IPM de l'onduleur.
PC02	Protection Température en haut du compresseur.
PC06	Protection Température de refoulement du compresseur.
PC08	Protection Surtension de l'unité extérieure.
PC0A	Protection Température élevée du condenseur
PC0F	Protection Module PFC.
PC0L	Protection Basse température de l'unité extérieure.
PC10	Protection Basse tension CA de l'unité extérieure.
PC11	Protection Haute tension bus CC circuit imprimé de l'unité extérieure.

Tableau 16. Codes d'erreur des unités extérieures multi-zones MLB et MPC

Affichage	Dysfonctionnement et protection
PC12	Protection Haute tension bus CC circuit imprimé de l'unité extérieure / Erreur vérification machine (MCE) 341.
PC30	Protection en cas de pression élevée du système
PC31	Protection Basse pression du système
PC40	Erreur de communication entre la puce principale extérieure et la puce du compresseur
PC42	Défaillance de démarrage du compresseur de l'unité extérieure.
PC43	Protection Hors phase compresseur extérieur
PC44	Protection Vitesse nulle de l'unité extérieure
PC45	Défaillance de la puce IR de l'unité extérieure
PC46	Vitesse du compresseur hors contrôle
PC49	Défaillance Surtension du compresseur
PCA1	Protection Condensation sur conduit de réfrigérant
PH90	Protection Température élevée de l'évaporateur
PH91	Protection Faible température de l'évaporateur
LC06	Protection Haute température du module IPM de l'onduleur

