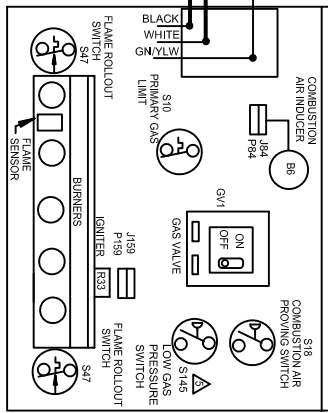


BLOWER SPEED CHART		
UNIT	FACTORY CONNECTED SPEED TAPS	
04SKER38B	BLACK	COOL
04SKER38B	YELLOW	HEAT
04SKER38B	RED	FAN
04SKER38B	BROWN	PARK
04SKER38B	BLUE	BROWN/BLUE
04SKER38B	YELLOW	RED
04SKER38B	BROWN	BROWN/YELLOW
04SKER38B	RED	BLUE/YELLOW
04SKER38B	BLUE	BLUE
04SKER38B	YELLOW	YELLOW
04SKER38B	RED	RED
SPEED TAPS: HI → BLOWER SPEED SELECTION ← LO		
BLACK BROWN BLUE YELLOW RED		

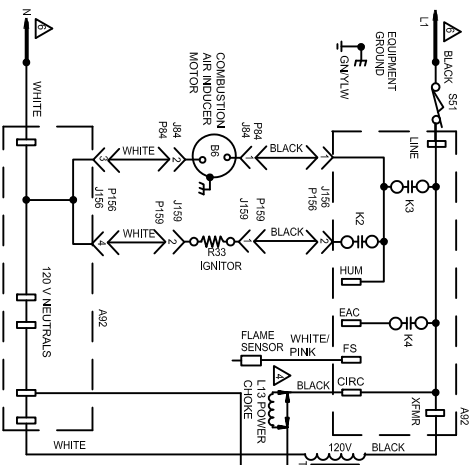
JACK-PLUGS CHART	
J1248	JACK-PLUGS INDOOR BLOWER-POWER
J1249	JACK-PLUGS INDOOR BLOWER-SPEED
J1250	JACK-PLUGS INDOOR BLOWER-CONTROL
J1251	JACK-PLUGS INDOOR BLOWER-VALVE
J1252	JACK-PLUGS INDOOR BLOWER-FLAME
J1253	JACK-PLUGS INDOOR BLOWER-FLAME
J1254	JACK-PLUGS INDOOR BLOWER-FLAME
J1255	JACK-PLUGS INDOOR BLOWER-FLAME
J1256	JACK-PLUGS INDOOR BLOWER-FLAME
J1257	JACK-PLUGS INDOOR BLOWER-FLAME
J1258	JACK-PLUGS INDOOR BLOWER-FLAME
J1259	JACK-PLUGS INDOOR BLOWER-FLAME

NOTE:
IF ANY WIRE IN THIS APPLIANCE IS REPLACED, IT MUST BE REPLACED WITH WIRE OF THE SAME RATING, INSULATION THICKNESS AND TERMINATION.

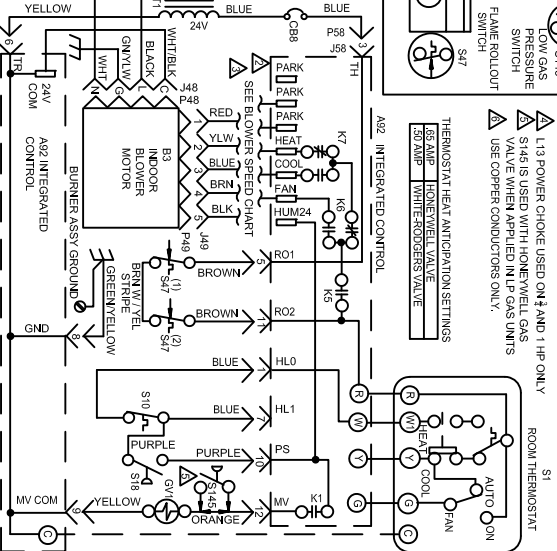
- △ R: REQUIRED ON SOME OUTDOOR UNITS
- △ PARK TERMINALS ARE UNWIRING TERMINALS. ALL UNWIRING MOTOR LEADS MUST BE WIRED TO A PARK TERMINAL.
- △ DO NOT USE RED (LOW SPEED) MOTOR LEAD FOR HEATING SPEED RESULTING TEMPERATURE RISE WILL BE OUTSIDE OF RISE RANGE.
- △ L13 POWER CHOKE USED ON 1/4 AND 1 HP ONLY
- △ S145 IS USED WITH HONEYWELL GAS VALVE WHEN APPLIED IN LP GAS UNITS
- △ USE COPPER CONDUCTORS ONLY.



LINE VOLTAGE FIELD INSTALLED CLASS II VOLTAGE FIELD WIRING DENOTES OPTIONAL COMPONENTS



WARNING:
ELECTRIC SHOCK HAZARD CAN CAUSE INJURY OR DEATH. UNIT MUST BE GROUNDING IN ACCORDANCE WITH NATIONAL AND LOCAL CODES.



HEATING UNITS-GAS			
ML196DF045XE36B	ML196DF090XE48C		
ML196DF070XE48B	ML196DF110XE60C		
Supersedes			

Form No. 538050-02