



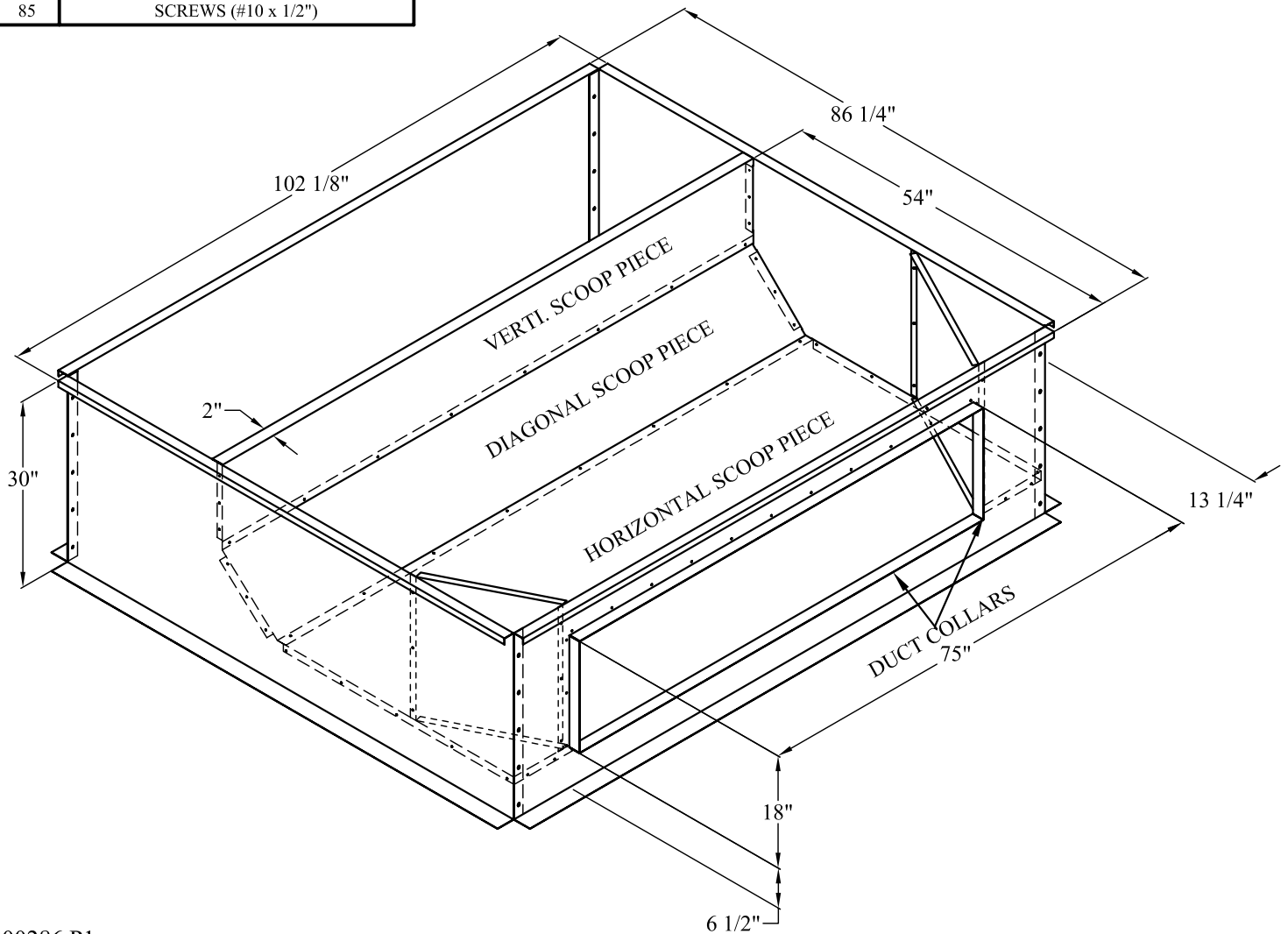
BOLTED HORIZONTAL ROOF FRAME FOR



ENERGENCE "D" BOX ENERGENCE/ LANDMARK "C" BOX 300 ONLY

SHIPPED KNOCKDOWN FOR
FIELD ASSEMBLY

ASSEMBLY PARTS LIST	
QTY	DESCRIPTION
2	CURB SIDES
2	CURB ENDS
1	VERTICAL SCOOP PIECE
1	DIAGONAL SCOOP PIECE
1	HORIZONTAL SCOOP PIECE
2	DEFLECTOR PIECES
20	#11000 5/16" BOLT X 3/4" LONG
20	#11205 5/16" NUT
20	#11405 5/16" WASHER
1	ASSEMBLY INSTRUCTION
85	SCREWS (#10 x 1/2")



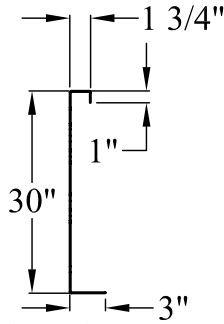
5000286 P1
MAY. 13, 2014



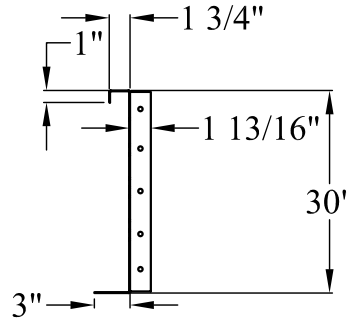
**BOLTED
HORIZONTAL ROOF FRAME
FOR**



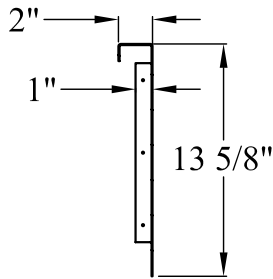
**ENERGENCE "D" BOX
ENERGENCE/ LANDMARK "C" BOX 300 ONLY**



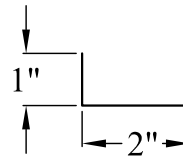
CURB SIDES
W/ OPENING - 75" X 18" -(x1)
W/ O OPENING - (x1)



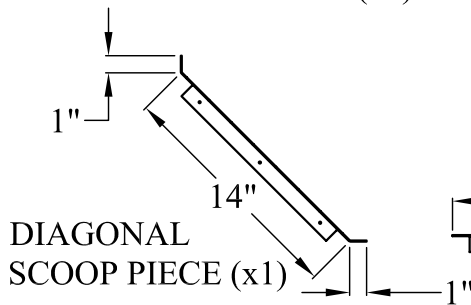
CURB ENDS (x2)



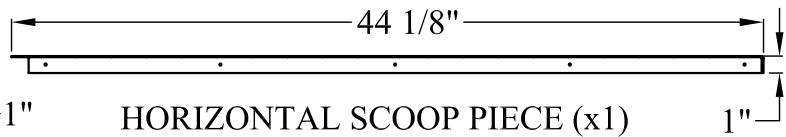
VERTI. SCOOP PIECE (x1)



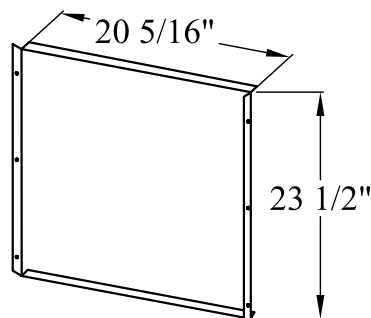
DUCT COLLARS
74 7/8" LONG- (x2)
17 7/8" LONG- (x2)



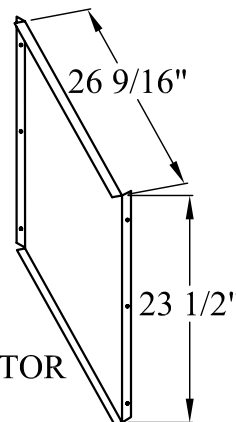
**DIAGONAL
SCOOP PIECE (x1)**



HORIZONTAL SCOOP PIECE (x1)



**AIR DEFLECTOR
PIECE-SMALL**



**AIR DEFLECTOR
PIECE-BIG**

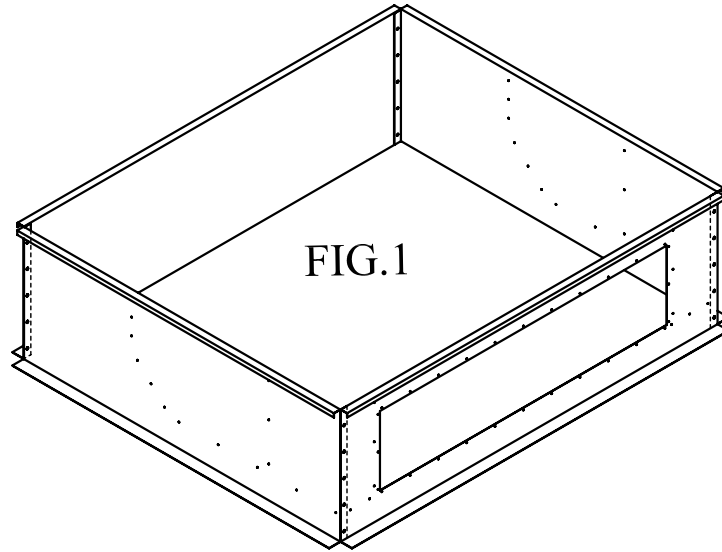
5000286 P1
MAY. 13, 2014



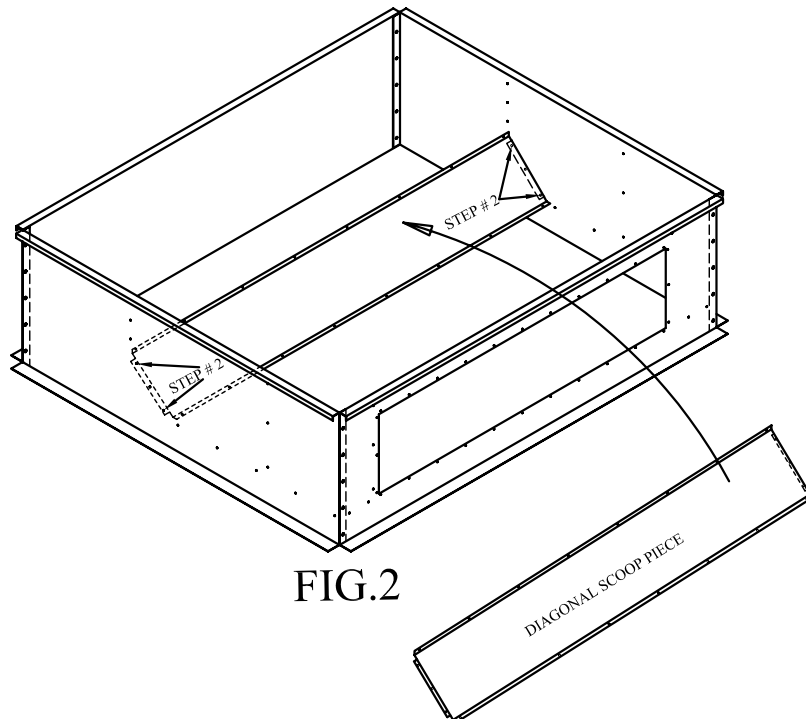
INSTALLATION INSTRUCTION FOR
HORIZONTAL ROOF FRAME
FOR



ENERGENCE "D" BOX
ENERGENCE/ LANDMARK "C" BOX 300 ONLY



STEP #1 :- ASSEMBLE 2 SIDES & 2 ENDS WITH BOLTS PROVIDED KEEPING BOLT HEADS TO EXTERIOR OF CURB.



STEP #2 :- LINE UP THE HOLES ON THE DIAGONAL SCOOP PIECE WITH THOSE ON BOTH CURB SIDES AND USE #10 SCREWS TO SECURE SCOOP IN PLACE.



INSTALLATION INSTRUCTION FOR HORIZONTAL ROOF FRAME FOR



ENERGENCE "D" BOX ENERGENCE/ LANDMARK "C" BOX 300 ONLY

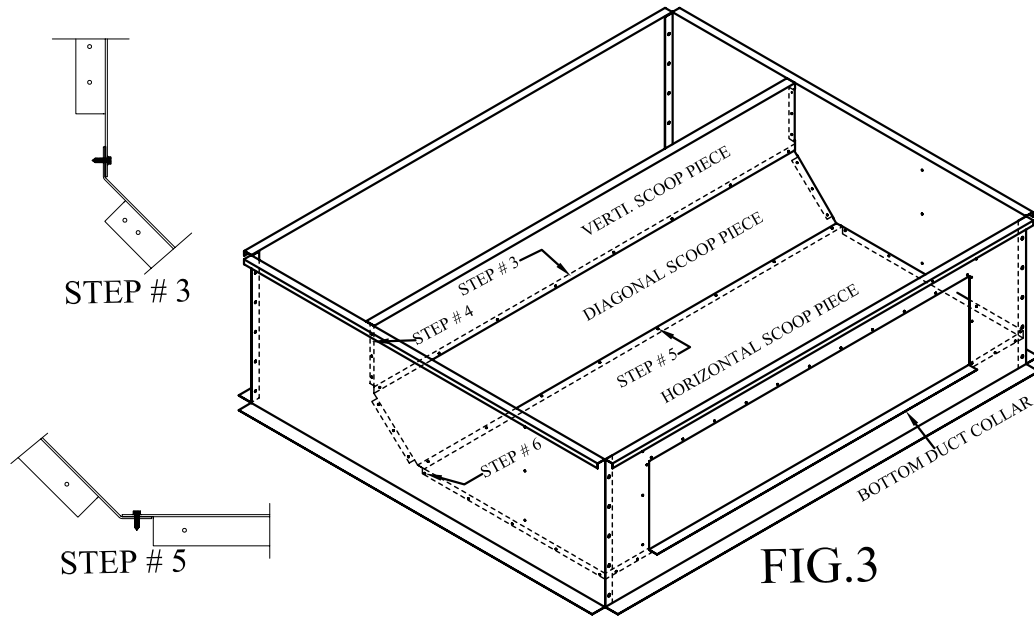


FIG.3

STEP #3 :- PLACE VERTI. SCOOP PIECE OVER THE FLANGE OF DIAGONAL SCOOP PIECE SO THAT #10 SCREW CLEARANCE HOLES IN VERTICAL PIECE LINE UP WITH 1/8" SCREW HOLES IN DIAGONAL PIECE.

STEP #4:- USE #10 HOLES PROVIDED IN OUTSIDE WALLS TO SECURE VERTICAL PIECE FIRMLY IN PLACE. MAKE SURE THE FLANGES IN VERTICAL PIECE ARE FACING DOWN(FIG. 3)

STEP #5:- ALIGN #10 CLEARANCE HOLES PROVIDED IN THE HORI. PIECE WITH 1/8" HOLES IN DIAGONAL PIECE FLANGE.

STEP #6:- LOCATE CORRESPONDING HOLES IN THE OUTSIDE WALLS AND SECURE HORI. PIECE IN PLACE. (FIG. 3)

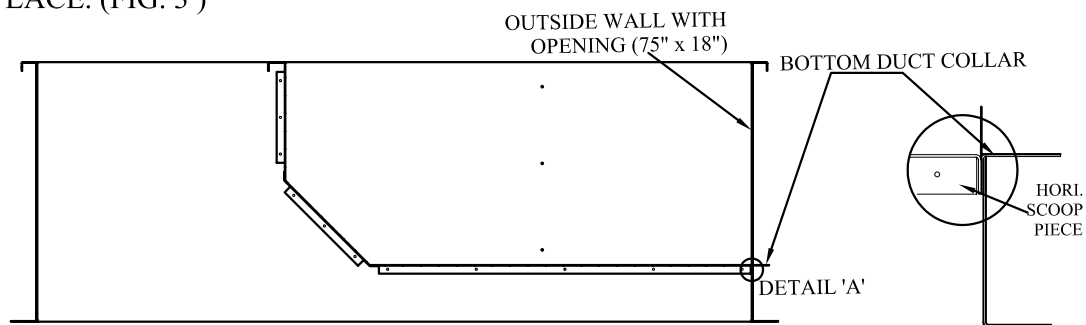


FIG.4

DETAIL 'A'

STEP #7:- SLIDE BOTTOM DUCT COLLAR IN BETWEEN WALL (WITH OPENING-75" x 18") & HORI. SCOOP PIECE. SCREW ALL THREE PIECES TOGETHER. (DETAIL 'A').



INSTALLATION INSTRUCTION FOR
HORIZONTAL ROOF FRAME
FOR



ENERGENCE "D" BOX
ENERGENCE/ LANDMARK "C" BOX 300 ONLY

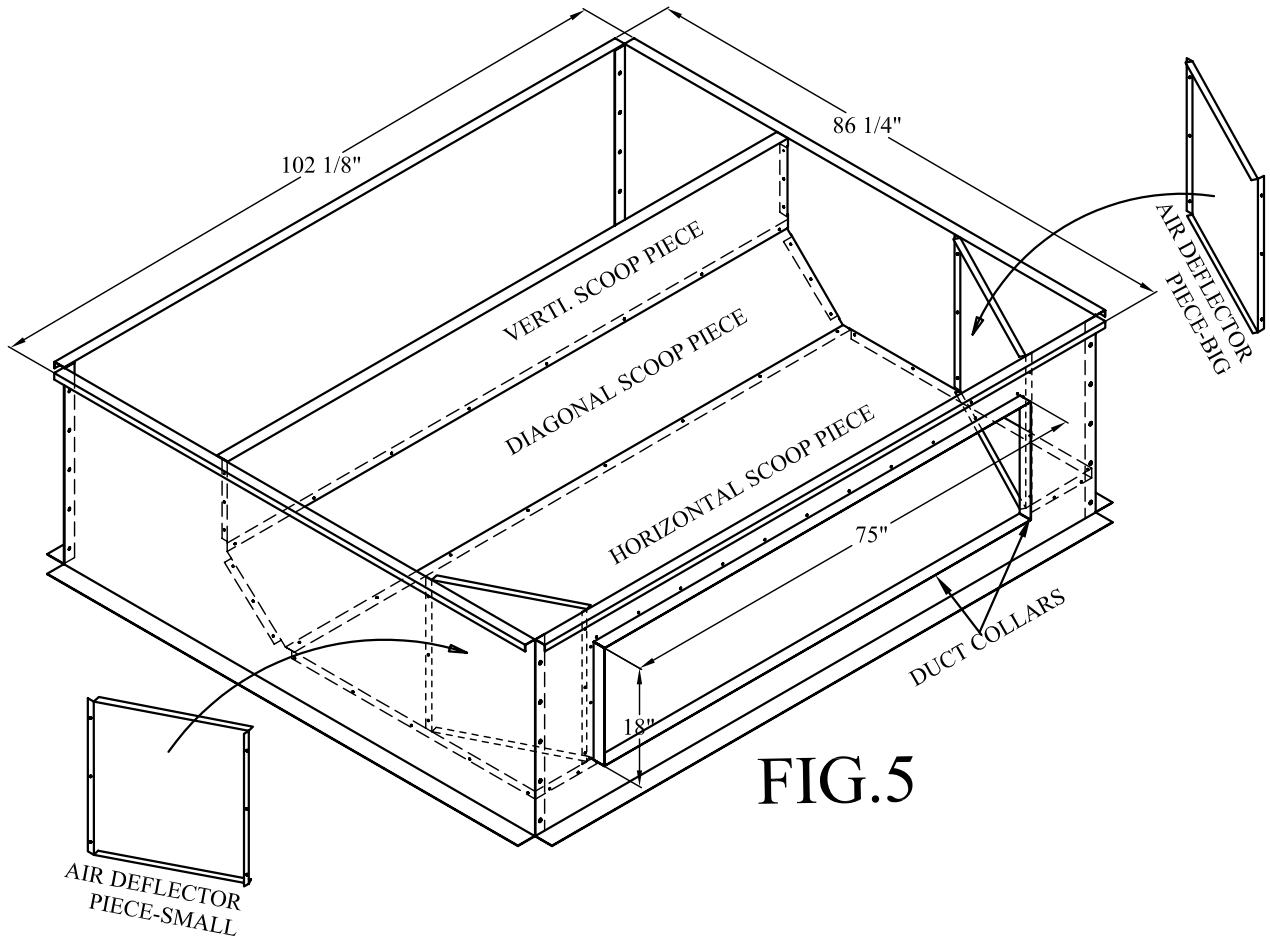


FIG.5

STEP #8:- INSTALL AIR DEFLECTOR PIECES ON BOTH SIDES USING #10 SCREWS PROVIDED.
(SEE FIG. 6)

STEP #9:- INSTALL OTHER DUCT COLLAR PIECES. (SEE FIG. 5)