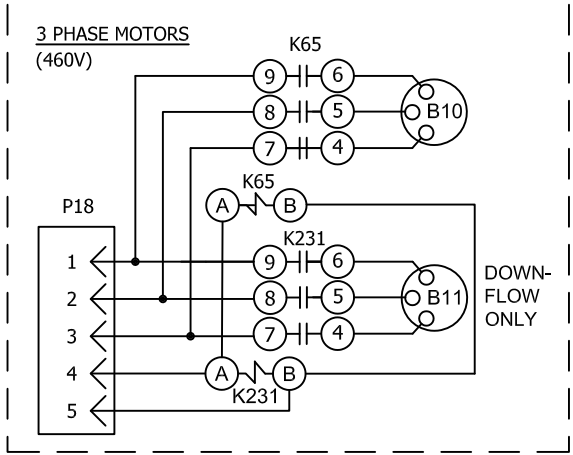
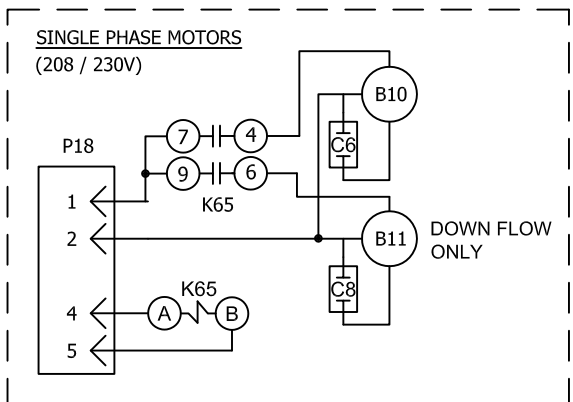


△ POWER EXHAUST OPTIONS


KEY	COMPONENT
A6	CONTROL-ECONOMIZER
A7	SENSOR-OUTDOOR ENTHALPY
A62	SENSOR-INDOOR ENTHALPY
B7	MOTOR-DAMPER, ECONOMIZER
B10	POWER EXHAUST FAN 1
B11	POWER EXHAUST FAN 2 (DOWNFLOW ONLY)
C6	CAPACITOR, EXHAUST FAN 1
C8	CAPACITOR, EXHAUST FAN 2 (DOWNFLOW ONLY)
K65	RELAY, EXHAUST FAN
K231	RELAY, EXHAUST FAN 2
R1	MIXED AIR SENSOR
RT26	SENSOR-OUTDOOR AIR TEMP
TB1	TERMINAL STRIP, CLASS II VOLTAGE
TB13	TERMINAL STRIP, POWER DISTRIBUTION

J/P	JACK/PLUG DESCRIPTION
9	ECONOMIZER, MOTOR
10	ECONOMIZER
18	EXHAUST FAN COMPT.
24	EXHAUST FAN
104	SENSOR OUTDOOR
105	SENSOR RETURN AIR
142	ECONOMIZER HARNESS



- △ OUTDOOR AIR TEMP SENSOR RT26 OR OUTDOOR AIR ENTHALPY SENSOR A7 MAY BE USED.
- △ FOR DIFFERENTIAL ENTHALPY SENSING USE OUTDOOR ENTHALPY SENSOR A7 AND INDOOR ENTHALPY SENSOR A62
- △ REFER ALSO TO MAIN UNIT WIRING DIAGRAM SECTION B
- △ PROGRAMMABLE, USE FOR EXHAUST FAN 2 OUTPUT
- △ PROGRAMMABLE, USE FOR SYSTEM ALARM OUTPUT
- △ POWER EXHAUST OPTION

← — — — — — → DESIGNATES OPTIONAL WIRING  
 — — — — — CLASS II FIELD WIRING

2022/09		WIRING DIAGRAM	09/22
	538309-01		
ACCESSORIES			
SIEMENS CONTROL ECONOMIZER (RAIDER B-BOX)			
SECTION D			REV. 0
Supersedes	New Form No.		538309-01