

PACKAGED UNITS KITS AND ACCESSORIES

506730-01
1/2011

BELT TENSIONER BRACKET REPLACEMENT KIT

INSTALLATION INSTRUCTIONS FOR BELT TENSIONER REPLACEMENT KIT USED ON LGH/LCH072 AND KG/KC 090 PACKAGED UNITS

Shipping and Packing List

Package 1 of 1 contains:

- 1- Tensioner bracket

Check packaging for shipping damage. Contact the last carrier immediately if any shipping damage is found.

⚠ WARNING

Improper installation, adjustment, alteration, service or maintenance can cause property damage, personal injury or loss of life. Installation and service must be performed by a qualified installer, service agency or the gas supplier

⚠ CAUTION

Danger of sharp metallic edges. Can cause injury. Take care when servicing unit to avoid accidental contact with sharp edges.

Application

The kit is used to replace the tensioner bracket on LGH/LCH072 (all voltages) and KG/KC 090 M-volt units.

Installation

- 1- Remove blower belt. See figure 1.

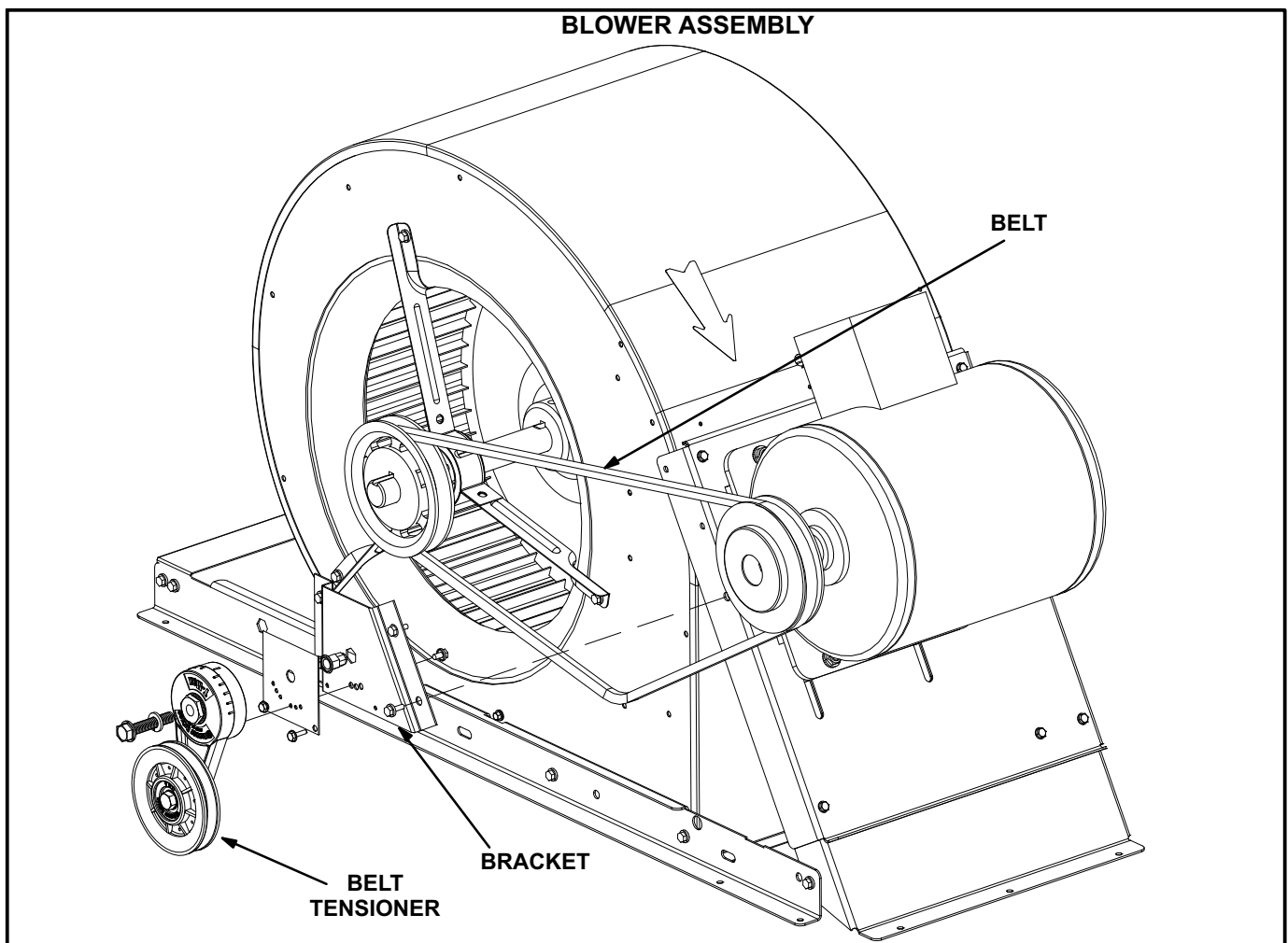


FIGURE 1



- 2- Remove and retain four screws that secure the belt tensioner assembly to the blower housing. See figure 2.
- 3- Remove and retain the bolt and split washer from the belt tensioner assembly. Separate the belt tensioner from the tensioner bracket and discard bracket.

- 4- Install the belt tensioner onto the new bracket using the retained bolt and split washer.
- 5- Install the new assembly onto the blower housing using the four retained screws.
- 6- Reinstall the blower belt.
- 7- Check the belt tension and adjust as necessary using the installation instructions provided with the unit.

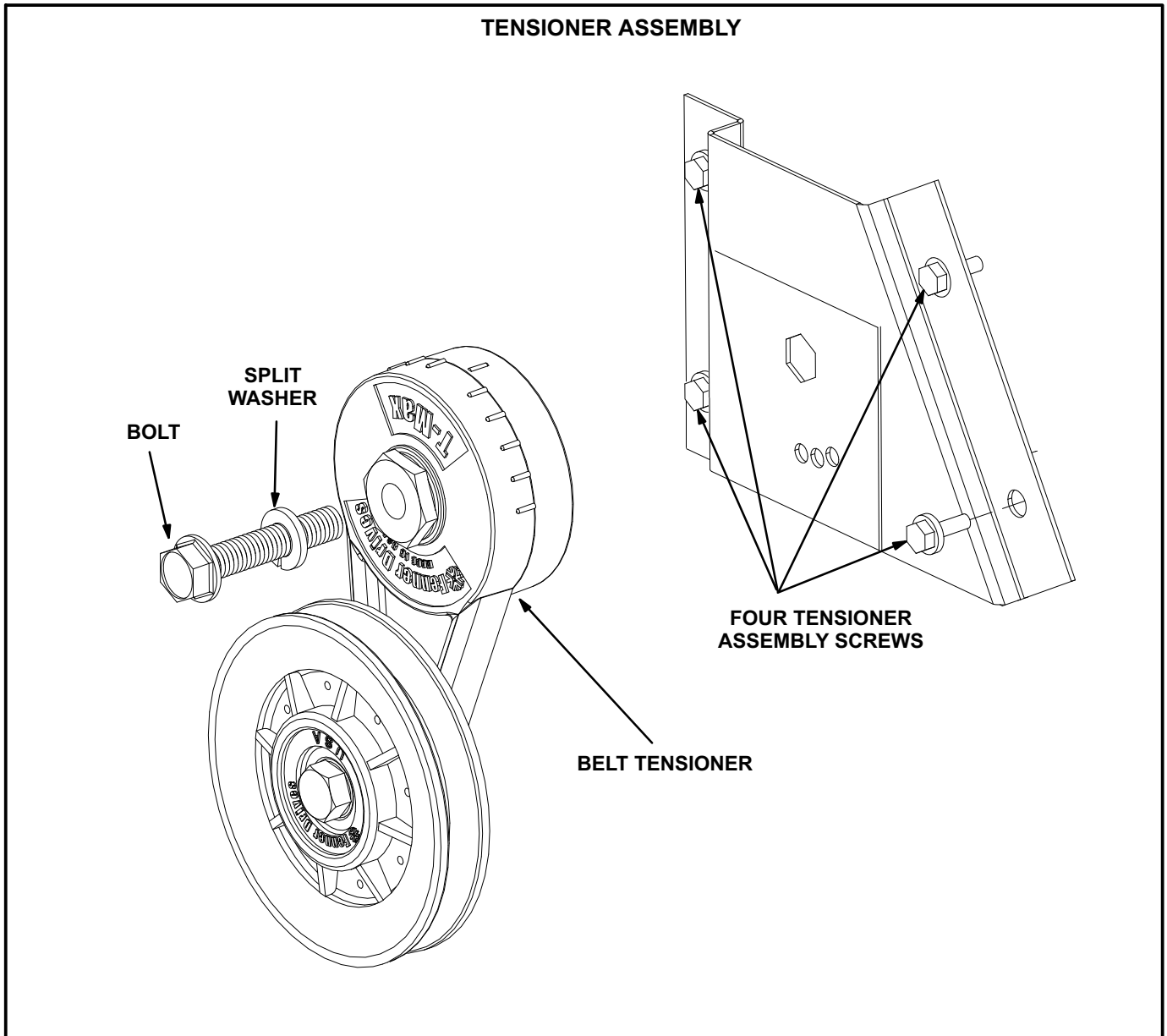


FIGURE 2