

# SUBMITTAL DATA - OUTDOOR UNIT

## VRB288L4M-3Y

## VRB120L4M-3Y + VRB096L4M-3Y+VRB072L4M-3Y

### VRF Heat Recovery

Job: \_\_\_\_\_  
 Location: \_\_\_\_\_  
 Schedule No.: \_\_\_\_\_  
 System Designation: \_\_\_\_\_

Engineer: \_\_\_\_\_  
 Architect: \_\_\_\_\_  
 Location: \_\_\_\_\_  
 Date: \_\_\_\_\_

## Heat Recovery Outdoor Unit

For:	Reference	Approval	Review	Construction
------	-----------	----------	--------	--------------

### FEATURES

- Split coil heat exchanger
- Dual hinged electrical boxes for ease of maintenance
- High-efficiency vapor injection inverter compressor
- Intelligent Duty Cycle operation
- Night Silent operation
- Hinged service doors
- Built-in service console
- Built-in base pan heater
- Heating Operation down to -22F
- Low Ambient Cooling down to -10F w/ kit

### WARRANTY

- Compressor - 10-year limited warranty
  - All other components - 10-year limited warranty
- \*See warranty for details

### SPECIFICATIONS

#### PERFORMANCE

Cooling Capacity <sup>1</sup> (Btu/h)	Nominal	288,000
	Rated <sup>2</sup>	276,000
EER	Ducted	10.6
	Non-Ducted	11.0
IEER	Ducted	18.7
	Non-Ducted	19.9
SCHE	Ducted	28.3
	Non-Ducted	31.1
Heating Capacity <sup>1</sup> (Btu/h)	Nominal	324,000
	Rated <sup>2</sup>	308,000
COP47	Ducted	3.72
	Non-Ducted	3.70
COP17	Ducted	2.53
	Non-Ducted	2.42

#### ELECTRICAL DATA

Power Supply (Volts/Phase/Hertz)	208-230/3/60
Minimum Circuit Ampacity (A)	82.6 + 75 + 59.5
Maximum Overcurrent Protection (A)	90 + 80 + 70
Compressor RLA (A)	33/33 + 29.6/29.6 + 42.7
Number of Compressors	2+2+1
Outdoor Fan Power Input (W)	(2) 1200/1200+680/780
Outdoor Fan FLA (A)	(2) 4.0/4.3+2.6/2.9

#### GENERAL DATA

Connection Ratio	50% to 130%
Maximum Number of Indoor Units	52
Refrigerant Type	R-410A
Factory Refrigerant Charge (each unit)	23.8 lbs.

#### NOTES

1. Cooling and Heating capacity data is rated at the following conditions:  
 Cooling: 80°FDB / 67°FWB Indoor, 95°FDB Outdoor  
 Heating: 70°FDB Indoor, 47°FDB / 43°FWB Outdoor.
2. Complies with AHRI 1230-2014 testing standards
3. Operating Voltage Range 175V to 263V
4. To achieve cooling lower than 5°F a Low ambient hood must be installed. This is purchased as an accessory.
5. A local 115V power outlet is available as an accessory to provide local power for maintenance.



DIMENSIONS		VRB120	VRB096	VRB072
Unit	Height	72	72	64-3/8
Dimensions (in)	Width	68-1/2	68-1/2	52-3/4
	Depth	32-5/8	32-5/8	31-1/2

#### Main System Piping (in)

Liquid Pipe Connection	3/4	3/4	5/8
Gas Pipe Connection	1-1/4	1-1/4	1

#### Balancing Pipework between Modules (in)

L.P. Gas Balance Pipe Connection	1-1/4	1-1/4	1-1/8
H.P. Gas Balance Pipe Connection	3/4	3/4	3/4
Oil Balance Pipe Connection	5/16	5/16	5/16
Unit Net Weight (lb)	1093	1093	765

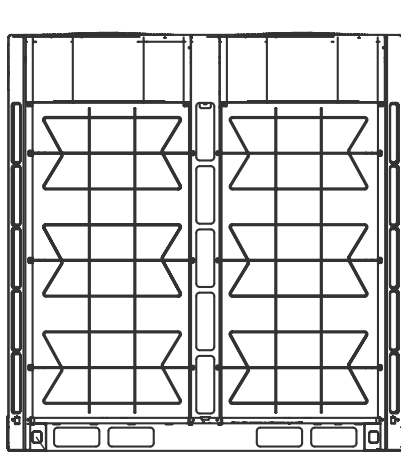
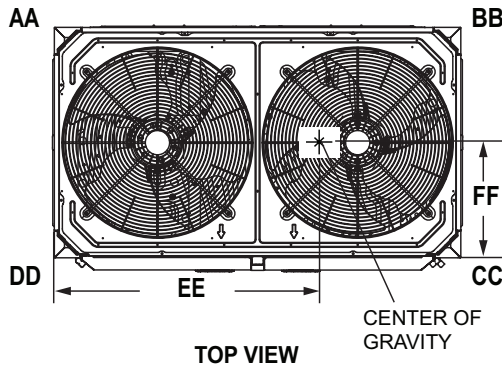


NOTE - Due to Lennox' ongoing commitment to quality, Specifications, Ratings and Dimensions subject to change without notice and without incurring liability. Improper installation, adjustment, alteration, service or maintenance can cause property damage or personal injury. Installation and service must be performed by a qualified installer and servicing agency.

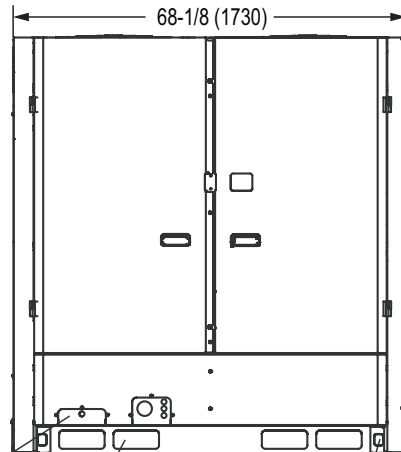
**SUBMITTAL DATA - OUTDOOR UNIT**  
**VRB288L4M-3Y**  
**VRB120L4M-3Y + VRB096L4M-3Y+VRB072L4M-3Y**  
**VRF Heat Recovery**

**DIMENSIONAL DRAWINGS - INCHES (MM)**

Model No.	CORNER WEIGHTS								CENTER OF GRAVITY			
	AA		BB		CC		DD		EE		FF	
	lbs.	kg	lbs.	kg	lbs.	kg	lbs.	kg	in.	mm	in.	mm
VRB120L4, VRB096L4M	173	80	266	122	332	153	323	148	37-1/2	953	12	305



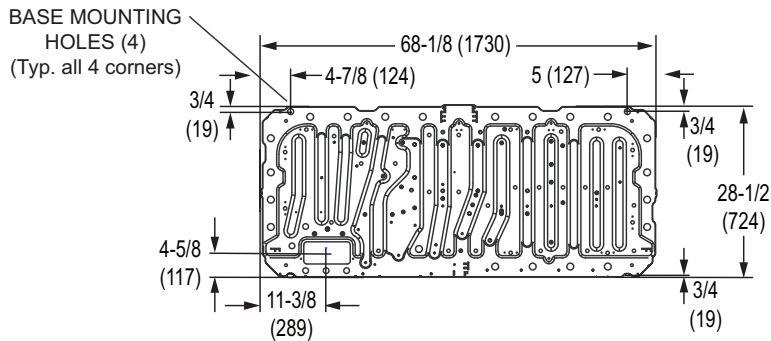
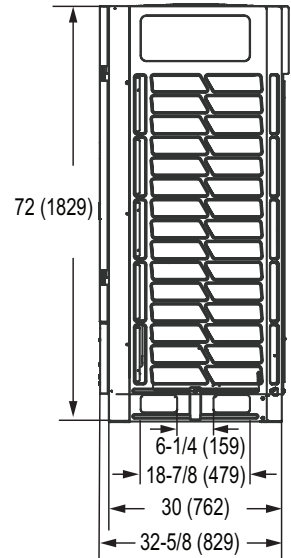
LAG BOLT DESIGNATION  
(BOTH SIDES)  
(TO ACCESS LAG BOLT)



PARELLEL MODULE  
PIPING KNOCKOUT

FORKLIFT SLOT  
(BOTH SIDES)  
(REFIRGERANT LINE PATH)

LIFTING HOLES  
(BOTH SIDES)  
(FOR RIGGING)



NOTE - Due to Lennox' ongoing commitment to quality, Specifications, Ratings and Dimensions subject to change without notice and without incurring liability. Improper installation, adjustment, alteration, service or maintenance can cause property damage or personal injury. Installation and service must be performed by a qualified installer and servicing agency.

# SUBMITTAL DATA - OUTDOOR UNIT

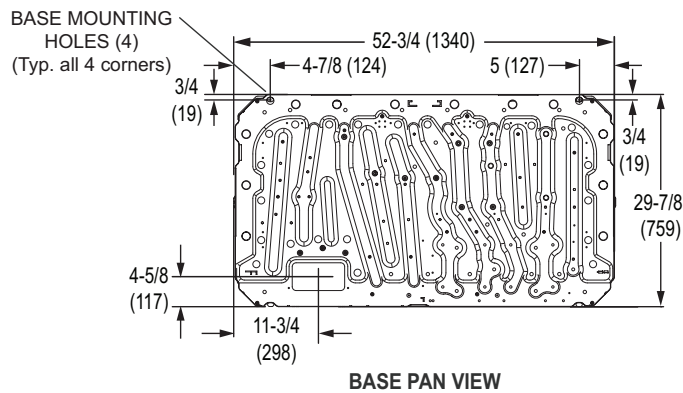
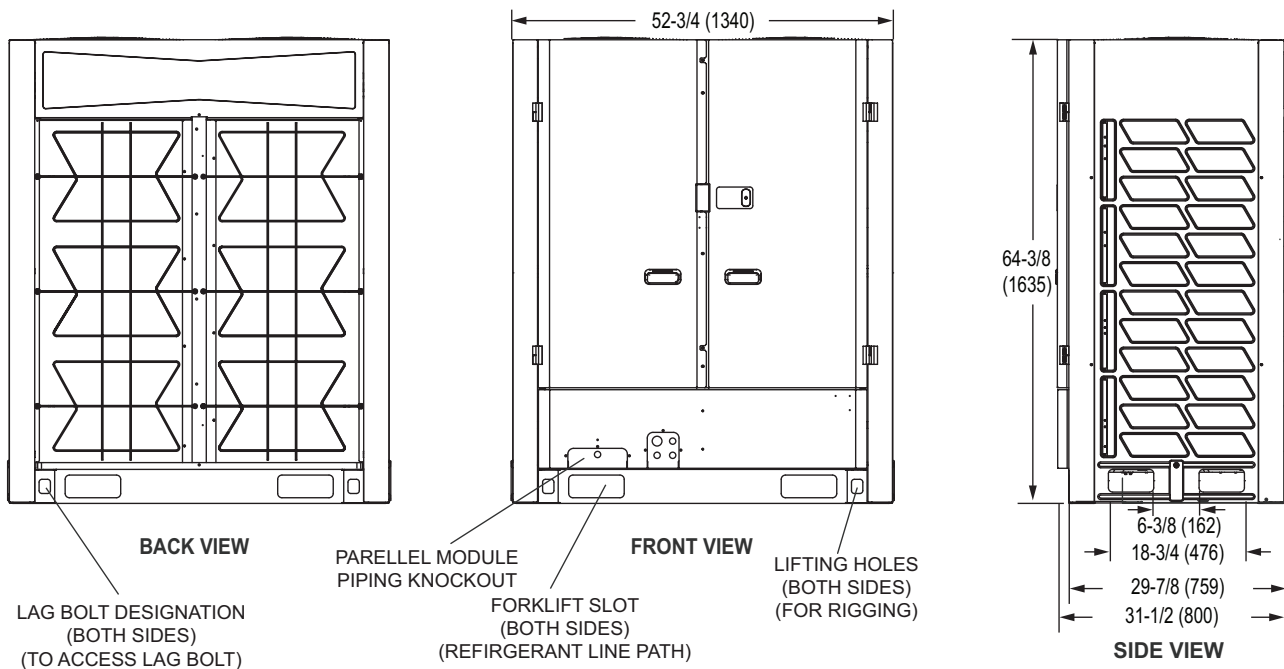
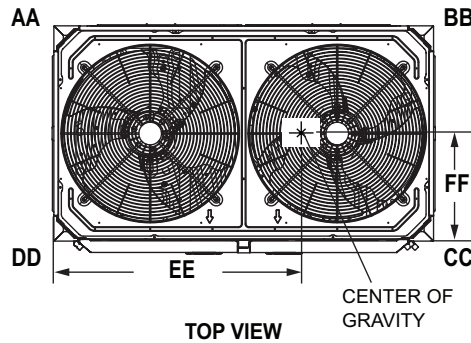
## VRB288L4M-3Y

### VRB120L4M-3Y + VRB096L4M-3Y+VRB072L4M-3Y

#### VRF Heat Recovery

### DIMENSIONAL DRAWINGS - INCHES (MM)

CORNER WEIGHTS									CENTER OF GRAVITY			
Model No.	AA		BB		CC		DD		EE		FF	
	lbs.	kg	lbs.	kg	lbs.	kg	lbs.	kg	in.	mm	in.	mm
VRB072L4	124	57	207	95	215	99	256	118	27-3/4	705	12-1/4	311

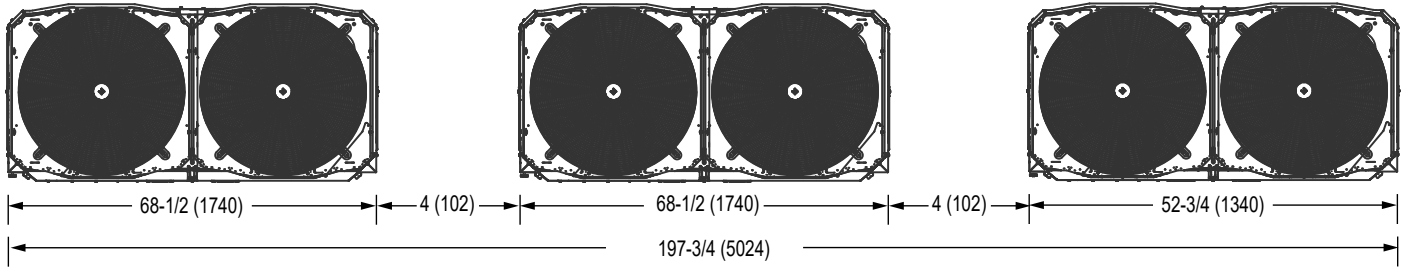


NOTE - Due to Lennox' ongoing commitment to quality, Specifications, Ratings and Dimensions subject to change without notice and without incurring liability. Improper installation, adjustment, alteration, service or maintenance can cause property damage or personal injury. Installation and service must be performed by a qualified installer and servicing agency.

**SUBMITTAL DATA - OUTDOOR UNIT**  
**VRB288L4M-3Y**  
**VRB120L4M-3Y + VRB096L4M-3Y+VRB072L4M-3Y**  
**VRF Heat Recovery**

**MULTI-MODULE INFORMATION**

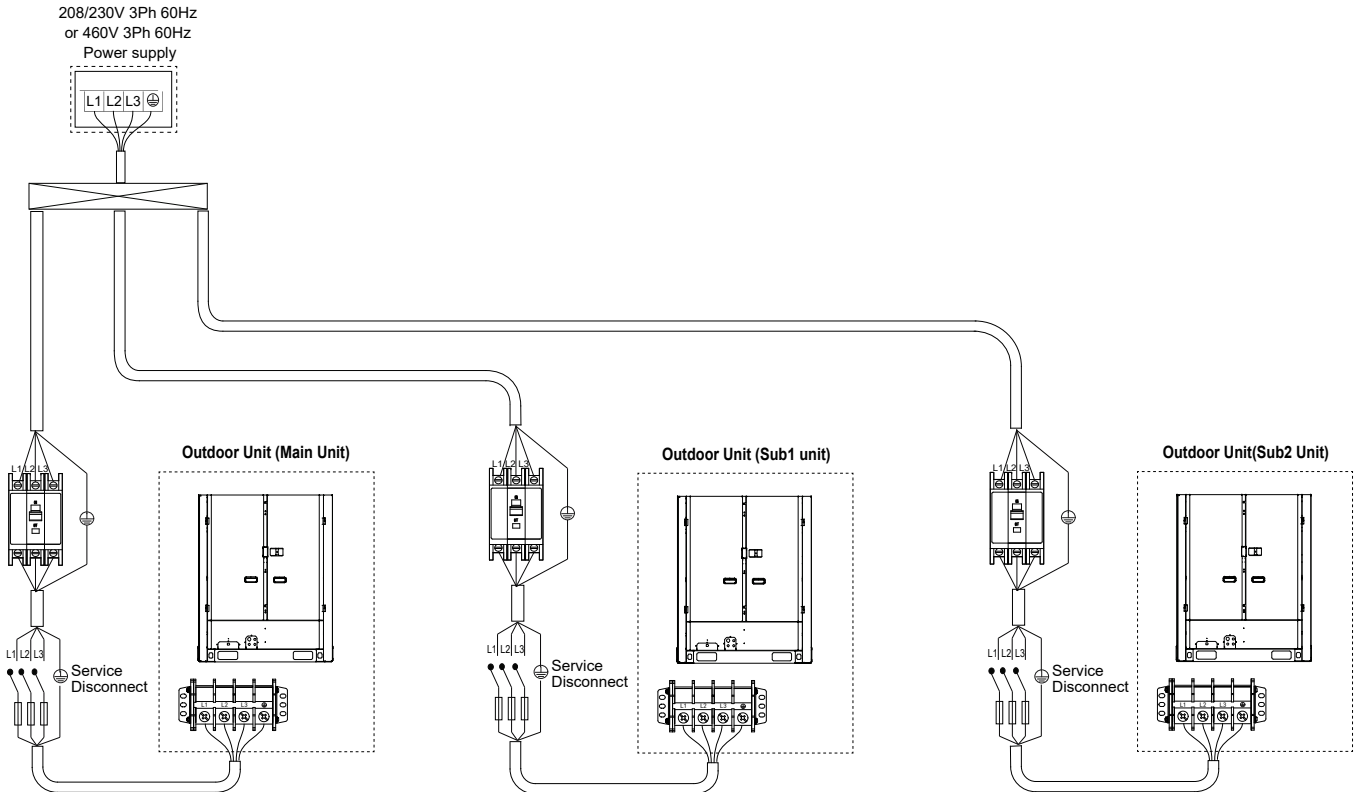
**Multi-Module Dimensions**



**NOTE - All the outdoor units manifolded together should be installed at the same elevation.**

**TOP VIEW**

**Multi-Module Power**



See page 1 for electrical data.  
 Total system MCA is calculated by adding the MCA value of each module together to get the total system MCA.  
 Total system MOP is calculated by adding the MOP value of each module together to get the total system MCA.