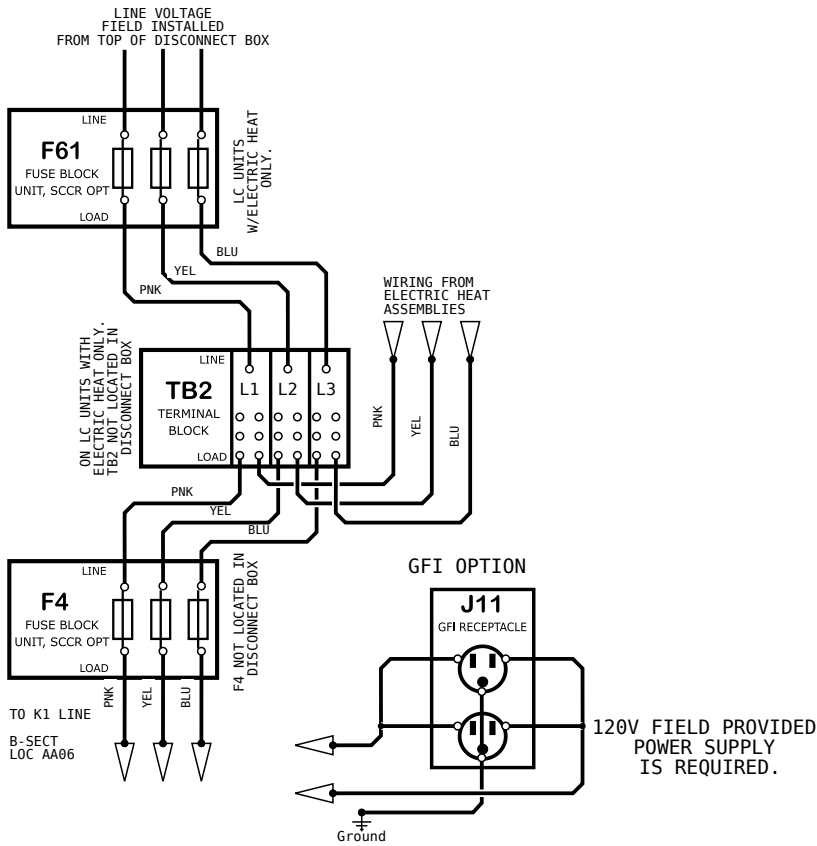


-----POWER ENTRY OPTIONS-----

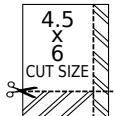
LCM UNITS



Model: LC, LH Series RTU WITH SCCR  
 Power Entry Options 024 - 074  
 Voltage: All Voltages  
 Supersedes: N/A Form No: 538111-01 Rev: 1



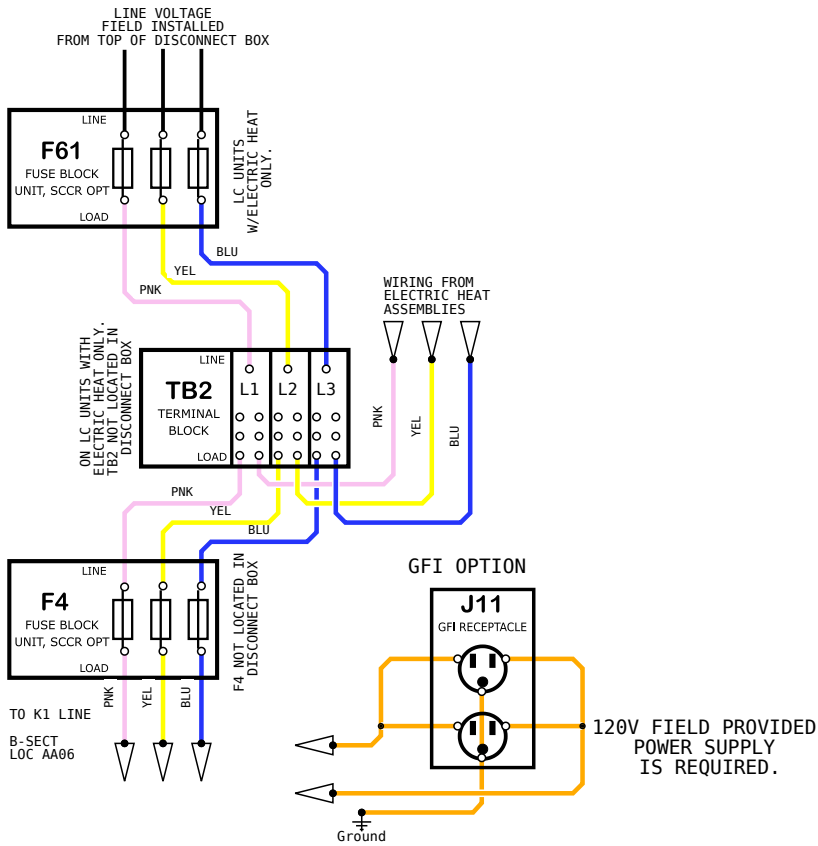
Rev 1



REV	EC NO.	DATE	BY	APVD	REVISION NOTE
--	CN-008594H	10/16/2020	CSG	JEG	ORIGINATED AT PD&R CARROLLTON, TX
001	CN-008852	06/29/2022	AXL	AAH	UPDATED MODELS

-----POWER ENTRY OPTIONS-----

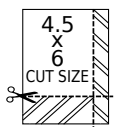
LCM UNITS



Model: LC, LH Series RTU WITH SCCR  
 Power Entry Options 024 - 074  
 Voltage: All Voltages  
 Supersedes: N/A Form No: 538111-01 Rev: 1



Rev 1



REV	EC NO.	DATE	BY	APVD	REVISION NOTE
--	CN-008594H	10/16/2020	CSG	JEG	ORIGINATED AT PD&R CARROLLTON, TX
001	CN-008852	06/29/2022	AXL	AAH	UPDATED MODELS