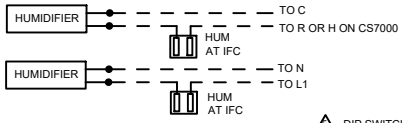


BLOWER SPEED CHART			
UNIT	FACTORY SHIPPED SETTINGS		SECONDARY LIMITS USED
	HEAT	COOL	
045XV36B	FACTORY	HIGH	FACTORY
070XV48B	FACTORY	HIGH	FACTORY
090XV60C	FACTORY	HIGH	FACTORY
110XV60C	FACTORY	HIGH	FACTORY

Program unit capacity/size		
Character on 7-1 (w dot ON)	Furnace Model	Circulator Motor Size
8	045XV36B	1/2 HP
9	070XV48B	3/4 HP
11	090XV60C	1 HP
U	110XV60C	1 HP

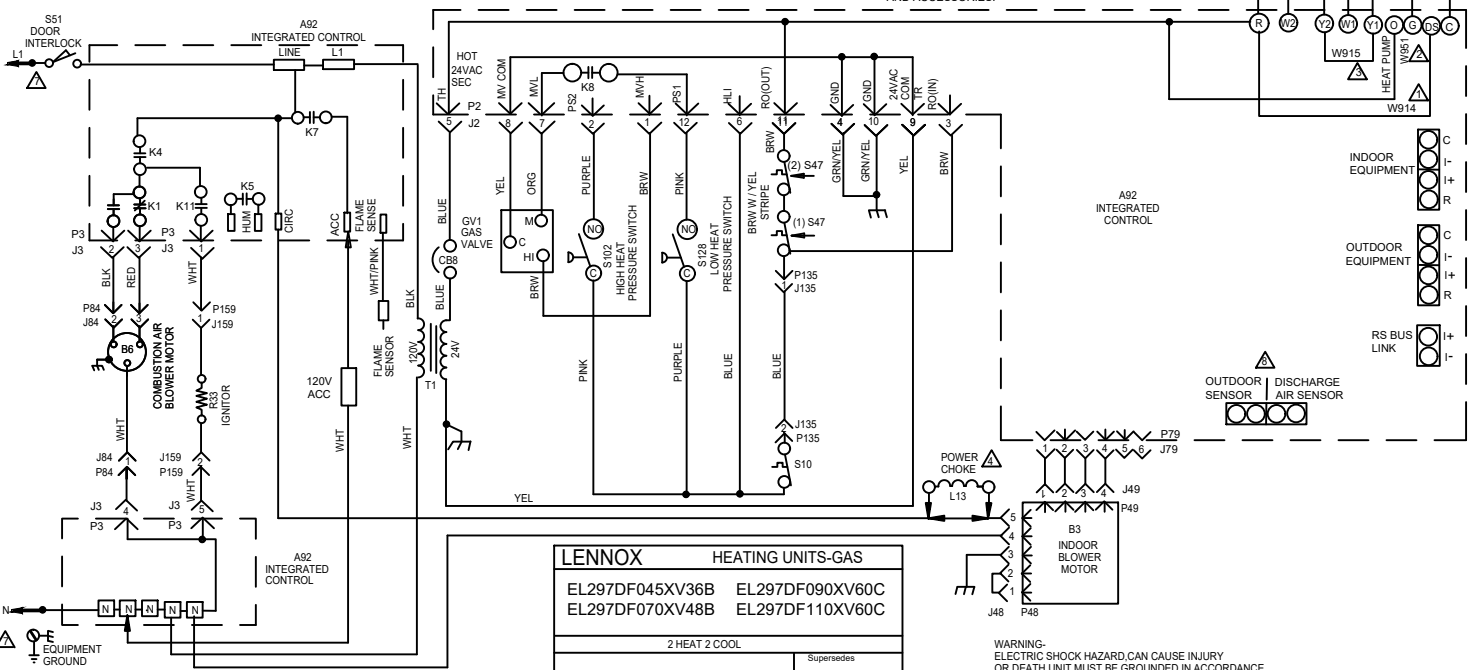
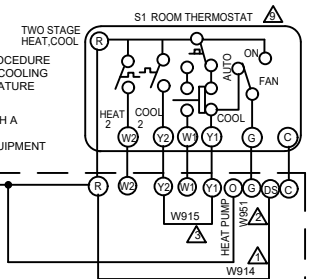


- ⚠ CUT W914 JUMPER LABELED "DEHUM OR HARMONY" FROM DS TO R, AT A92 CONTROL BOARD, WHEN USED WITH Comfortsense 7000 THERMOSTAT
- ⚠ CUT W551 JUMPER FROM 0 TO R, LABELED "HEAT PUMP", AT A92 CONTROL BOARD, WHEN USED FOR DUAL FUEL APPLICATIONS
- ⚠ JUMPER W915 FROM Y1 TO Y2 IS FACTORY INSTALLED AT A92 CONTROL BOARD. LEAVE IN FOR ONE STAGE COOL THERMOSTAT. CUT JUMPER Y1 TO Y2 FOR TWO STAGE COOL THERMOSTAT.
- ⚠ L13 USED ON 3/4 AND 1 HP ONLY
- ⚠ DIP SWITCH FACTORY DEFAULT IS FOR A TWO STAGE THERMOSTAT
- ⚠ FIELD SUPPLIED ACC WIRE
- ⚠ USE COPPER CONDUCTORS ONLY
- ⚠ DISCHARGE AND OUTDOOR AIR TERMINALS ARE FOR icomfort USE ONLY
- ⚠ THERMOSTAT CONNECTIONS ARE FOR NON-COMMUNICATING SYSTEM ONLY. REFER TO icomfort INSTALLATION INSTRUCTIONS FOR COMMUNICATING SYSTEMS.
- ⚠ DH AND L TERMINALS ARE ONLY USED WITH icomfort THERMOSTAT

THERMOSTAT HEAT ANTICIPATION SETTING	
.65 AMP	HONEYWELL VALVE
.43 AMP	WHITE RODGERS VALVE

NOTE: SEE INSTALLATION INSTRUCTIONS FOR PROCEDURE TO SET CORRECT BLOWER SPEED FOR SPECIFIC COOLING TONNAGE BEING APPLIED, AND HEATING TEMPERATURE RISE REQUIRED.

TYPICAL SYSTEM SHOWN FOR 2 HEAT/2 COOL WITH A CONVENTIONAL THERMOSTAT. SEE INSTALLATION INSTRUCTIONS FOR CONNECTIONS TO OTHER EQUIPMENT AND ACCESSORIES.



LENNOX HEATING UNITS-GAS

EL297DF045XV36B	EL297DF090XV60C
EL297DF070XV48B	EL297DF110XV60C

2 HEAT 2 COOL

Supersedes

02/23
Form No. 538328-01

Libco U.S.A.

WARNING- ELECTRIC SHOCK HAZARD CAN CAUSE INJURY OR DEATH. UNIT MUST BE GROUNDED IN ACCORDANCE WITH NATIONAL AND LOCAL CODES.

NOTE- IF ANY WIRE IN THIS APPLIANCE IS REPLACED, IT MUST BE REPLACED WITH WIRE OF LIKE SIZE, RATING, INSULATION THICKNESS, AND TERMINATION

— LINE VOLTAGE FIELD INSTALLED
 - - - CLASS II VOLTAGE FIELD WIRING
 ← DENOTES OPTIONAL COMPONENTS