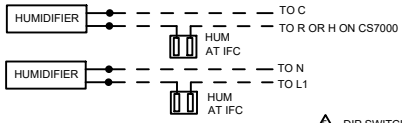


BLOWER SPEED CHART

UNIT	FACTORY SHIPPED SETTINGS			SECONDARY LIMITS USED
	HEAT	COOL	ADJUST	
045XV36B	FACTORY	HIGH	FACTORY	1
070XV48B	FACTORY	HIGH	FACTORY	1
090XV60C	FACTORY	HIGH	FACTORY	1
110XV60C	FACTORY	HIGH	FACTORY	1

Program unit capacity/size

Character on 7-1 (w dot ON)	Furnace Model	Circulator Motor Size
8	045XV36B	1/2 HP
9	070XV48B	3/4 HP
11	090XV60C	1 HP
U	110XV60C	1 HP



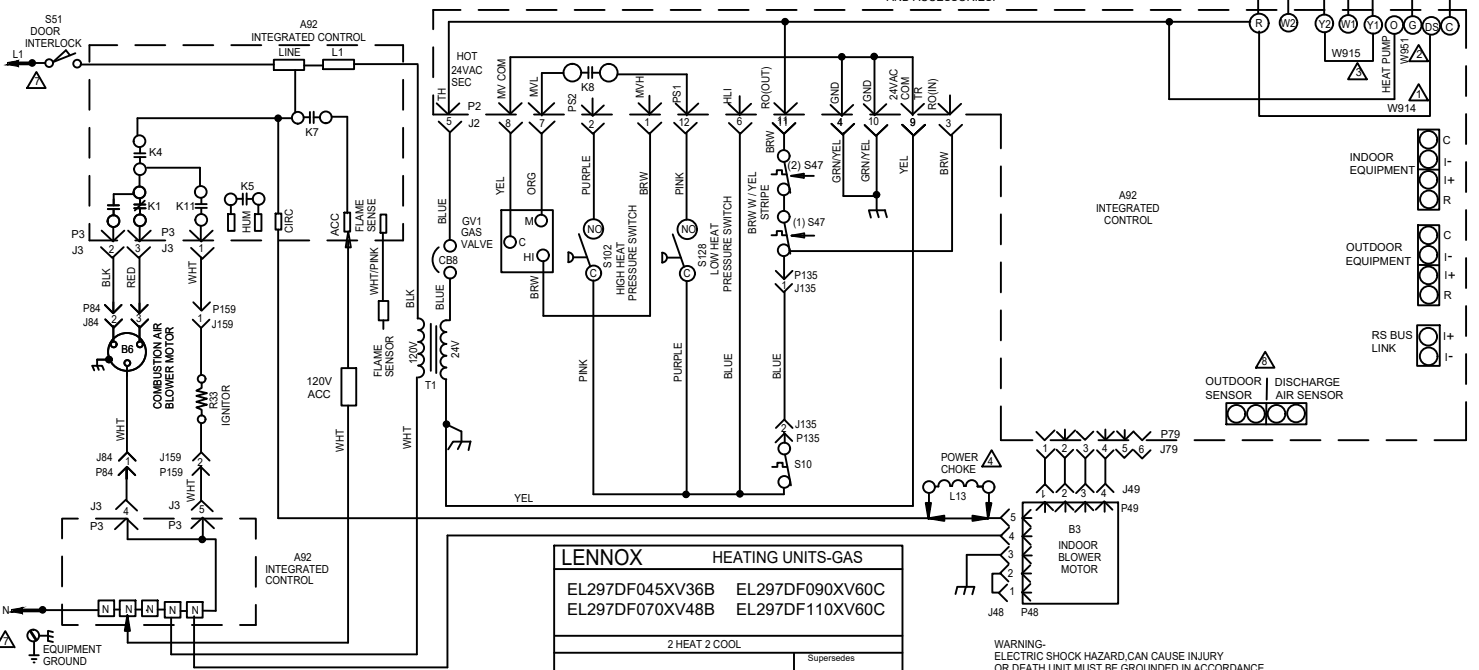
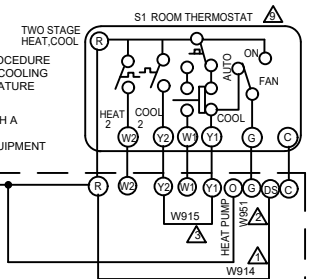
- ⚠ CUT W914 JUMPER LABELED "DEHUM OR HARMONY" FROM DS TO R, AT A92 CONTROL BOARD, WHEN USED WITH Comfortsense 7000 THERMOSTAT
- ⚠ CUT W51 JUMPER FROM 0 TO R, LABELED "HEAT PUMP", AT A92 CONTROL BOARD, WHEN USED FOR DUAL FUEL APPLICATIONS
- ⚠ JUMPER W915 FROM Y1 TO Y2 IS FACTORY INSTALLED AT A92 CONTROL BOARD. LEAVE IN FOR ONE STAGE COOL THERMOSTAT. CUT JUMPER Y1 TO Y2 FOR TWO STAGE COOL THERMOSTAT.
- ⚠ L13 USED ON 3/4 AND 1 HP ONLY
- ⚠ DIP SWITCH FACTORY DEFAULT IS FOR A TWO STAGE THERMOSTAT
- ⚠ FIELD SUPPLIED ACC WIRE
- ⚠ USE COPPER CONDUCTORS ONLY
- ⚠ DISCHARGE AND OUTDOOR AIR TERMINALS ARE FOR icomfort USE ONLY
- ⚠ THERMOSTAT CONNECTIONS ARE FOR NON-COMMUNICATING SYSTEM ONLY. REFER TO icomfort INSTALLATION INSTRUCTIONS FOR COMMUNICATING SYSTEMS.
- ⚠ DH AND L TERMINALS ARE ONLY USED WITH icomfort THERMOSTAT

THERMOSTAT HEAT ANTICIPATION SETTING

.65 AMP	HONEYWELL VALVE
.43 AMP	WHITE RODGERS VALVE

NOTE: SEE INSTALLATION INSTRUCTIONS FOR PROCEDURE TO SET CORRECT BLOWER SPEED FOR SPECIFIC COOLING TONNAGE BEING APPLIED, AND HEATING TEMPERATURE RISE REQUIRED.

TYPICAL SYSTEM SHOWN FOR 2 HEAT/2 COOL WITH A CONVENTIONAL THERMOSTAT. SEE INSTALLATION INSTRUCTIONS FOR CONNECTIONS TO OTHER EQUIPMENT AND ACCESSORIES.




LENNOX HEATING UNITS-GAS

EL297DF045XV36B	EL297DF090XV60C
EL297DF070XV48B	EL297DF110XV60C

2 HEAT 2 COOL

Supersedes

09/23  **Form No. 538373-01**

Libro U.S.A.

WARNING-
ELECTRIC SHOCK HAZARD CAN CAUSE INJURY OR DEATH. UNIT MUST BE GROUNDED IN ACCORDANCE WITH NATIONAL AND LOCAL CODES.

NOTE:
IF ANY WIRE IN THIS APPLIANCE IS REPLACED, IT MUST BE REPLACED WITH WIRE OF LIKE SIZE, RATING, INSULATION THICKNESS, AND TERMINATION

— LINE VOLTAGE FIELD INSTALLED
— CLASS II VOLTAGE FIELD WIRING
← DENOTES OPTIONAL COMPONENTS