



REAL

SUBMITTAL DATA - FURNACE/COIL
VPC036H4M-3PD - ML296UH070XV36B / CX35-36B+TDR
Single Zone Lennox REAL Heat Pump

Job: _____
Location: _____
Schedule No.: _____
System Designation: _____

Engineer: _____
Architect: _____
Location: _____
Date: _____
For: Approval Review Construction

FEATURES

Outdoor Unit: VPC036H4M-3PD



- Variable-capacity outdoor unit
- Reuse existing line sets
- Sound levels as low as 40 dBA
- Controls versatility

Indoor Unit: ML296UH070XV36B - CX35-36B+TDR



- Lennox Duralok Plus Heat Exchanger
- Variable Speed Direct Drive Blower
- Lennox designed upflow cased indoor coils

PIPING

Length and Maximum Height Difference

Maximum Pipe Length - Actual Length ft. (m)	164 (50)
Maximum Pipe Length - Equivalent Length ft. (m)	180 (55)
Maximum Height Difference ft. (m)	98 (30)

PRODUCT WARRANTY

Compressor – Ten year limited warranty*
All other covered components - Ten year limited warranty*

*Applicable to Lennox REAL products only and require product registration

OPTIONAL ACCESSORIES

M30 Smart Wi-Fi Thermostat (15Z69)
E30 Smart Wi-Fi Thermostat (20A65)



NOTE – Due to Lennox' ongoing commitment to quality, Specifications, Ratings and Dimensions subject to change without notice and without incurring liability. Improper installation, adjustment, alteration, service or maintenance can cause property damage or personal injury. Installation and service must be performed by a qualified installer and servicing agency.

(496064) 202402

©2024 Lennox Industries Inc.

**REAL****SUBMITTAL DATA - FURNACE/COIL****VPC036H4M-3PD - ML296UH070XV36B / CX35-36B+TDR****Single Zone Lennox REAL Heat Pump****OUTDOOR SPECIFICATIONS**

PERFORMANCE		
Cooling Capacity ¹ (Btu/h)	Nominal	18,000
	Rated ²	18,000
EER2		12.0
SEER2		17.4
Heating Capacity ¹ (Btu/h)		18,000
HSPF2		7.60
COP2 at 5°F (W/W)		1.80
Operating Range (°F)	Heating	-13°F to 86°F
	Cooling	5°F to 122°F
ELECTRICAL DATA		
Power Supply (Volts/Phase/Hertz)		208-230/1/60
Minimum Circuit Ampacity (A)		15
Maximum Overcurrent Protection (A)		25
Compressor RLA (A)		10.6
Number of Compressors		1
Outdoor Fan Power Output (W)		190
Outdoor Fan FLA (A)		1.2

GENERAL DATA		
Connection Ratio		65% to 130%
Maximum Number of Indoor Units		3
Sound Pressure Level (dBA) Heating - High/Low		58/40
Sound Pressure Level (dBA) Cooling - High/Low		55/40
Refrigerant Type		R-410A
Factory Refrigerant Charge (each unit)		6 lbs. 13 oz.
DIMENSIONS		
Unit	Height	34-1/64
Dimensions (in)	Width	41
	Depth	20-5/8
Shipping Weight (lb)		192
Net Weight (lb)		170

NOTES

- Cooling and Heating Capacity data is rated at the following conditions:
Cooling: 80°FDB / 67°FWB Indoor, 95°FDB Outdoor Heating: 70°FDB Indoor, 47°FDB / 43°FWB Outdoor
- Complies with AHRI 210/240 testing standards

INDOOR SPECIFICATIONS

Gas	Model No.	ML296UH070XV36B
Heating Performance	¹ AFUE	96%
High Fire	Input - Btuh	66,000
	Output - Btuh	62,000
	Temperature rise range - °F	50 - 80
	Gas Manifold Pressure (in. w.g.) Nat. Gas / LPG/Propane	3.5 / 10.0
Low Fire	Input - Btuh	43,000
	Output - Btuh	41,000
	Temperature rise range - °F	25 - 55
	Gas Manifold Pressure (in. w.g.) Nat. Gas / LPG/Propane	1.7 / 4.5
High static - in. w.g.	Heating	0.8
	Cooling	1.0
Connections in.	Intake / Exhaust Pipe (PVC)	2 / 2
	Gas pipe size IPS	1/2
	Condensate Drain Trap (PVC pipe) - i.d.	3/4
	with furnished 90° street elbow	3/4 slip x 3/4 Mipt
	with field supplied (PVC coupling) - o.d.	3/4 slip x 3/4 MPT
Indoor Blower	Wheel nominal diameter x width - in.	10 x 9
	Motor output - hp	1/2
	Tons of add-on cooling	2 - 3
	Air Volume Range - cfm	500 - 1365
Electrical Data	Voltage	120 V - 60 Hz - 1 Ph
	Blower motor full load amps	7.7
	Maximum overcurrent protection	15
Shipping Data	lbs. - 1 package	138

General Data	Model No.	CX35-36B-6F
Nominal size - Tons		3
Line Connections in.	Suction / vapor o.d. - sweat	3/4
	Liquid o.d. - sweat	3/8
	Condensate drain (fpt)	(2) 3/4
Indoor Coil	Net face area sq. ft.	4.89
	Tube diameter - in.	3/8
	Number of rows	3
	Fins per inch	14
Matching Lennox Furnace Width		B
Coil & Furnace Cabinet Width - in.		17-1/2
Shipping Data - lbs.		50

NOTE - Due to Lennox' ongoing commitment to quality, Specifications, Ratings and Dimensions subject to change without notice and without incurring liability.

Improper installation, adjustment, alteration, service or maintenance can cause property damage or personal injury.

Installation and service must be performed by a qualified installer and servicing agency.

(496064) 202402

©2024 Lennox Industries Inc.

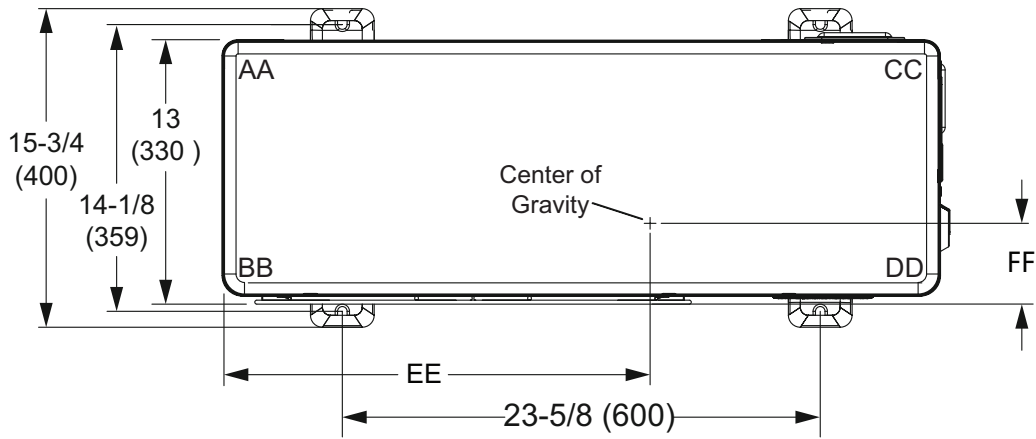


REAL

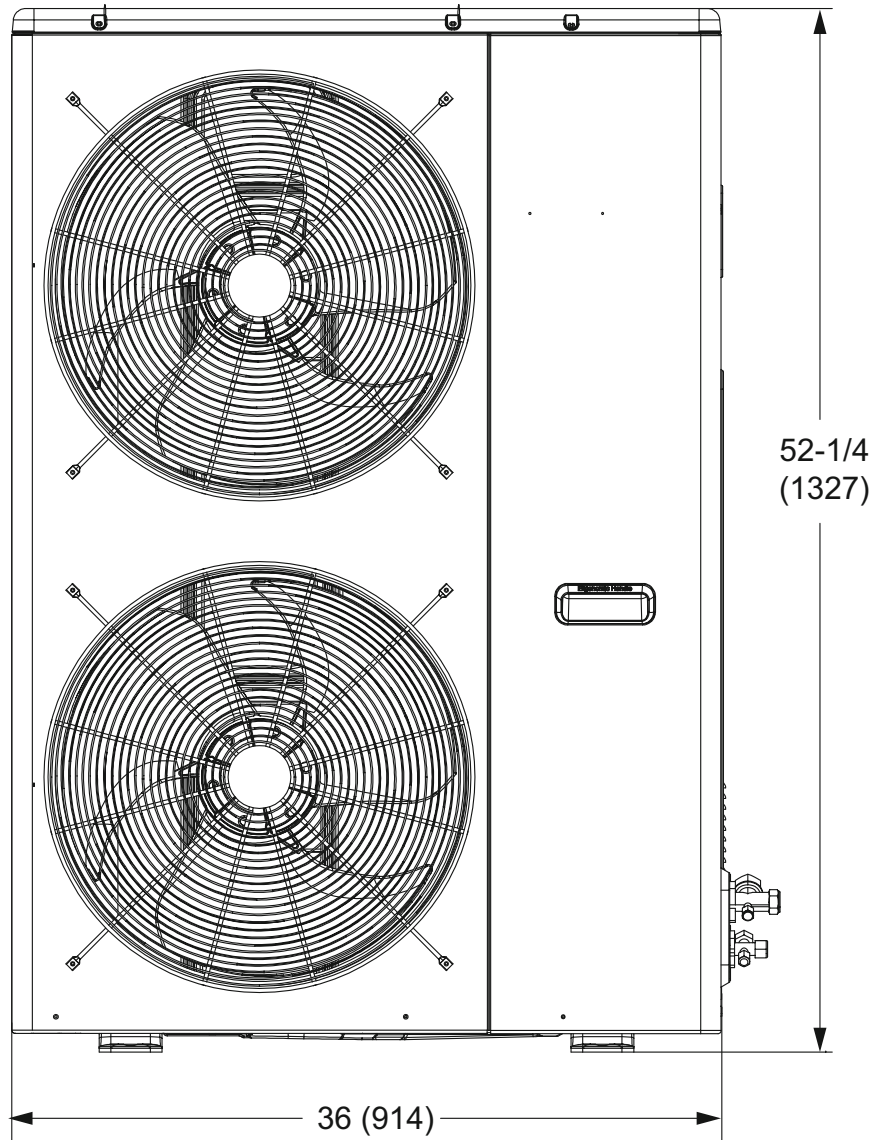
VPC036H4M-3PD - ML296UH070XV36B / CX35-36B+TDR

Single Zone Lennox REAL Heat Pump

DIMENSIONAL DRAWINGS - INCHES (MM)



TOP VIEW



FRONT VIEW

NOTE - Due to Lennox' ongoing commitment to quality, Specifications, Ratings and Dimensions subject to change without notice and without incurring liability. Improper installation, adjustment, alteration, service or maintenance can cause property damage or personal injury. Installation and service must be performed by a qualified installer and servicing agency.

(496064) 202402

©2024 Lennox Industries Inc.



VPC036H4M-3PD - ML296UH070XV36B / CX35-36B+TDR

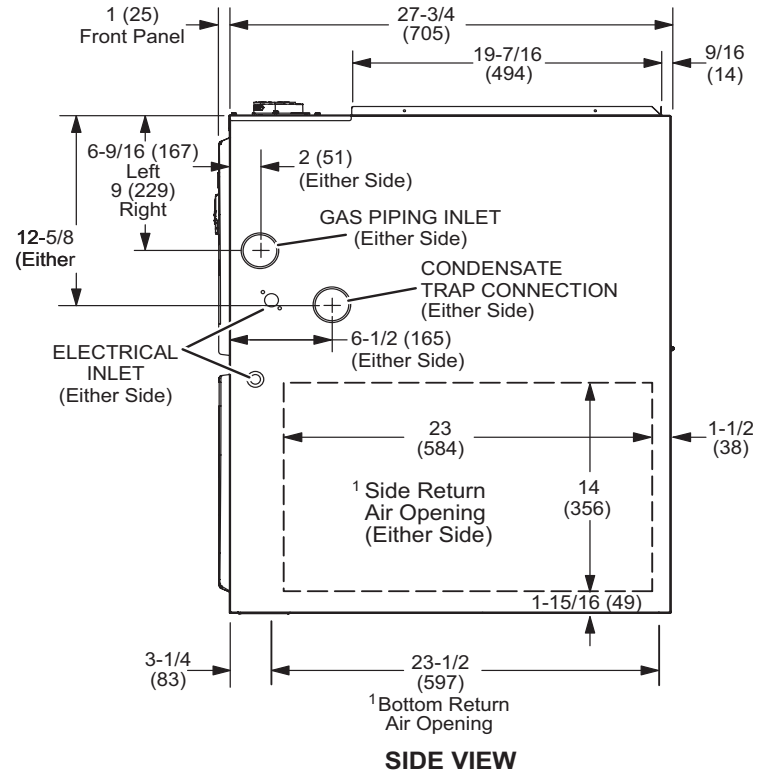
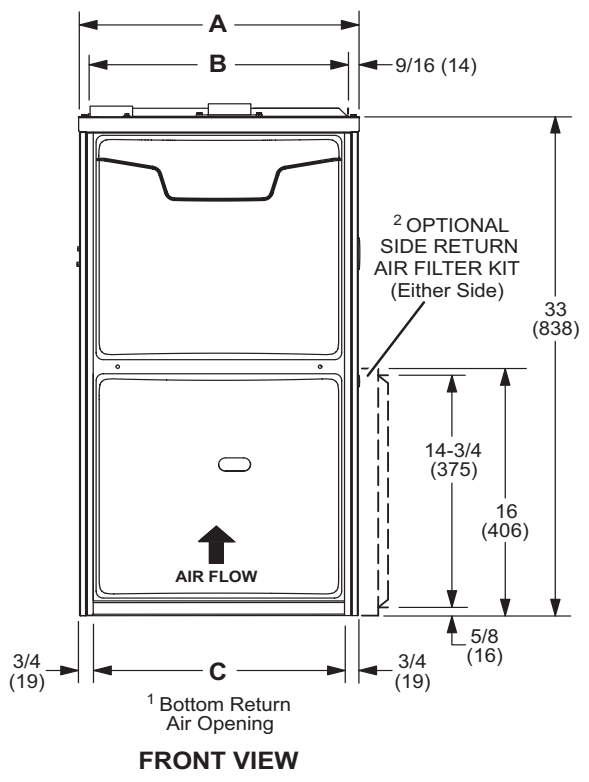
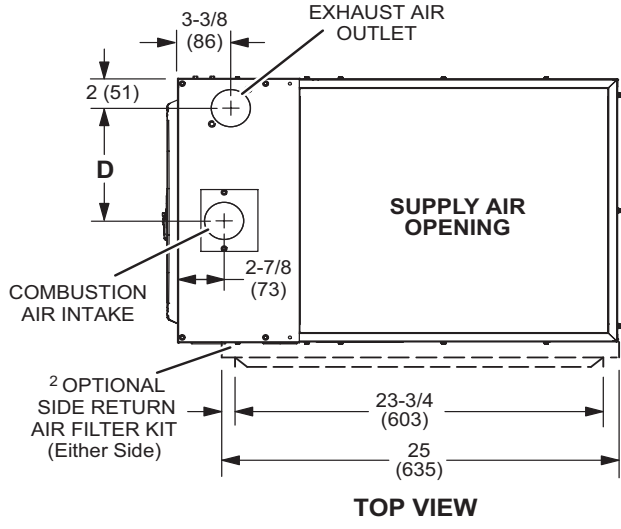
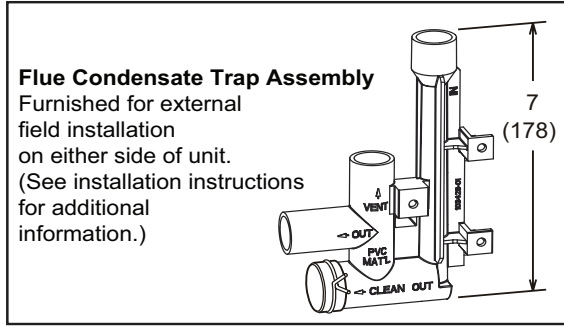
Single Zone Lennox REAL Heat Pump

DIMENSIONAL DRAWINGS - INCHES (MM)

¹ NOTE - 60C size units that require air volumes over 1800 cfm must have one of the following:

1. Single side return air and Optional Return Air Base with transition that must accommodate required 20 x 25 x 1 inch (508 x 635 x 25 mm) air filter to maintain proper velocity.
 2. Bottom return air
 3. Return air from both side
 4. Bottom and one side return r.
- See Blower Performance Tables for additional information.

² Optional Side Return Air Filter Kit is not for use with the Optional Return Air Base.



Model No.	A		B		C		D	
	in.	mm	in.	mm	in.	mm	in.	mm
ML296UH045XV36B ML296UH070XV36B	17-1/2	446	16-3/8	416	16	406	7-5/8	194
ML296UH090XV48C ML296UH110XV60C	21	533	19-7/8	505	19-1/2	495	9-3/8	238

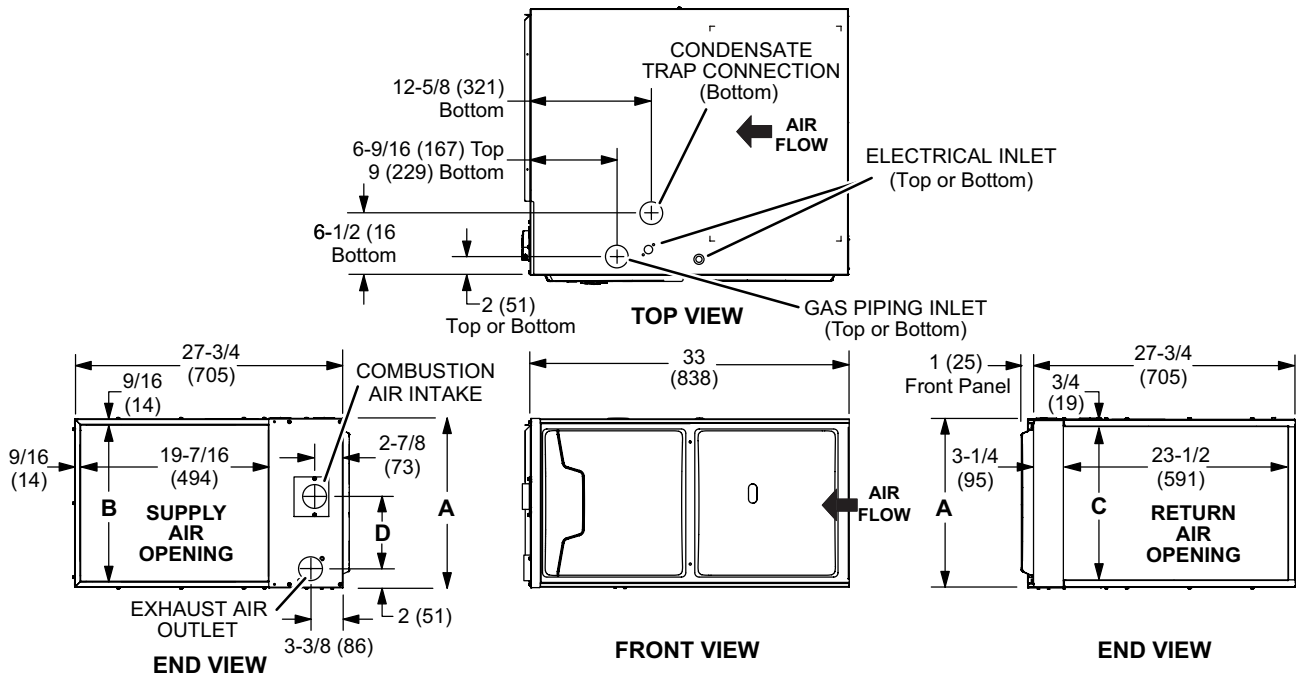
NOTE - Due to Lennox' ongoing commitment to quality, Specifications, Ratings and Dimensions subject to change without notice and without incurring liability. Improper installation, adjustment, alteration, service or maintenance can cause property damage or personal injury. Installation and service must be performed by a qualified installer and servicing agency. (496064) 202402 ©2024 Lennox Industries Inc.



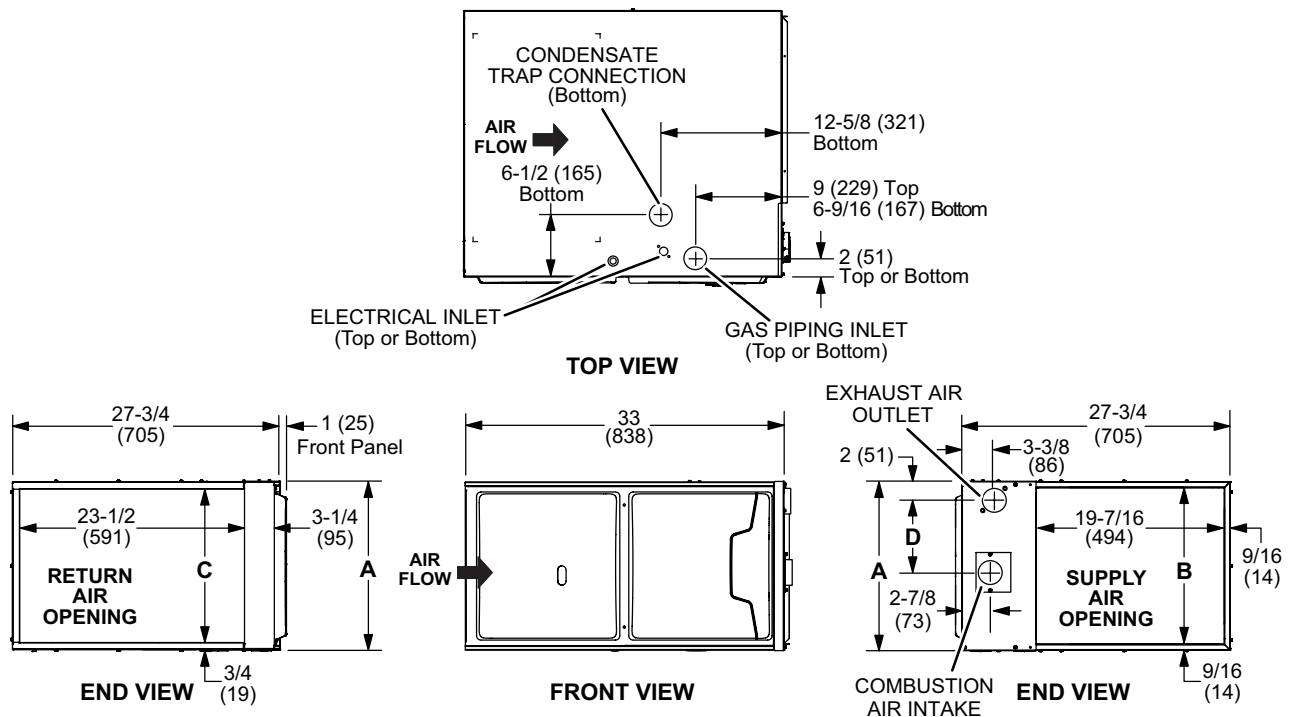
SUBMITTAL DATA - FURNACE/COIL VPC036H4M-3PD - ML296UH070XV36B / CX35-36B+TDR Single Zone Lennox REAL Heat Pump

DIMENSIONAL DRAWINGS - INCHES (MM)

LEFT-HAND AIR DISCHARGE



RIGHT-HAND AIR DISCHARGE



Model No.	A		B		C		D	
	in.	mm	in.	mm	in.	mm	in.	mm
ML296UH045XV36B ML296UH070XV36B	17-1/2	446	16-3/8	416	16	406	7-5/8	194
ML296UH090XV48C ML296UH110XV60C	21	533	19-7/8	505	19-1/2	495	9-3/8	238

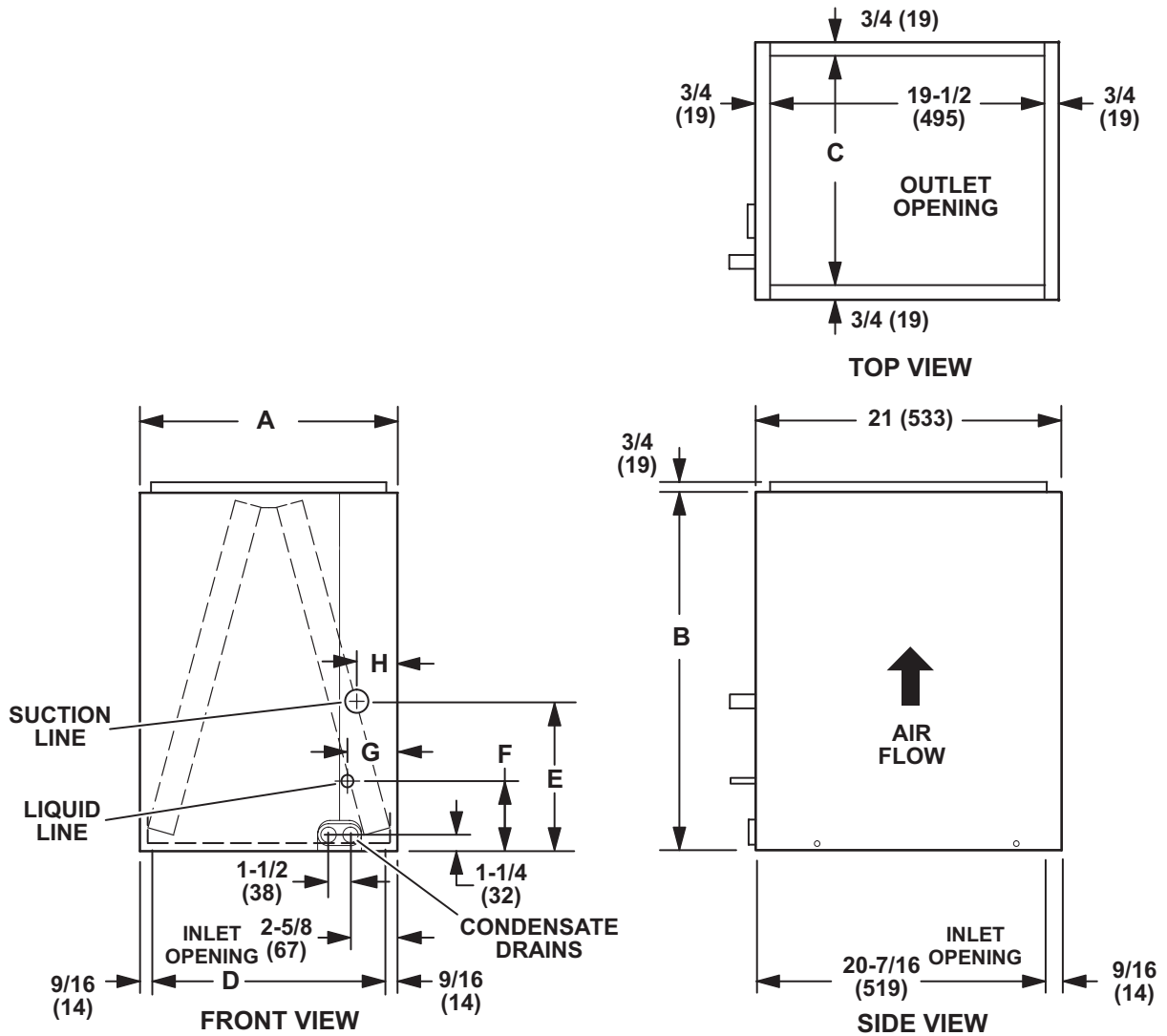
NOTE - Due to Lennox' ongoing commitment to quality, Specifications, Ratings and Dimensions subject to change without notice and without incurring liability. Improper installation, adjustment, alteration, service or maintenance can cause property damage or personal injury. Installation and service must be performed by a qualified installer and servicing agency.



SUBMITTAL DATA - FURNACE/COIL
VPC036H4M-3PD - ML296UH070XV36B / CX35-36B+TDR
Single Zone Lennox REAL Heat Pump

DIMENSIONAL DRAWINGS - INCHES (MM)

CX35-18/24(A/B), -30/36(A/B/C) and -36(A/B) Coils



Model Number	A		B		C		D		E		F		G		H	
	in.	mm	in.	mm	in.	mm	in.	mm	in.	mm	in.	mm	in.	mm	in.	mm
CX35-18/24A-6F	14-1/2	368	16-1/2	419	13	330	13-3/8	340	7-1/4	185	3-5/8	92	2-5/8	66	2-3/8	60
CX35-18/24B-6F	17-1/2	445	16-1/2	419	16	406	16-3/8	416	7-1/4	185	3-5/8	92	2-5/8	66	2-3/8	60
CX35-30/36A-6F	14-1/2	368	24-1/2	622	13	330	13-3/8	340	13-1/2	343	3-5/8	92	2-5/8	66	2-3/8	60
CX35-30/36B-6F	17-1/2	445	24-1/2	622	16	406	16-3/8	416	13-1/2	343	3-5/8	92	2-5/8	66	2-3/8	60
CX35-30/36C-6F	21	533	24-1/2	622	19-1/2	495	19-7/8	505	13-1/2	343	3-5/8	92	2-5/8	66	2-3/8	60
CX35-36A-6F	14-1/2	368	24-1/2	622	13	330	13-3/8	340	13-1/2	343	3-5/8	92	2-5/8	66	2-3/8	60
CX35-36B-6F	17-1/2	445	24-1/2	622	16	406	16-3/8	416	13-1/2	343	3-5/8	92	2-5/8	66	2-3/8	60

NOTE - Due to Lennox' ongoing commitment to quality, Specifications, Ratings and Dimensions subject to change without notice and without incurring liability. Improper installation, adjustment, alteration, service or maintenance can cause property damage or personal injury. Installation and service must be performed by a qualified installer and servicing agency. (496064) 202402 ©2024 Lennox Industries Inc.

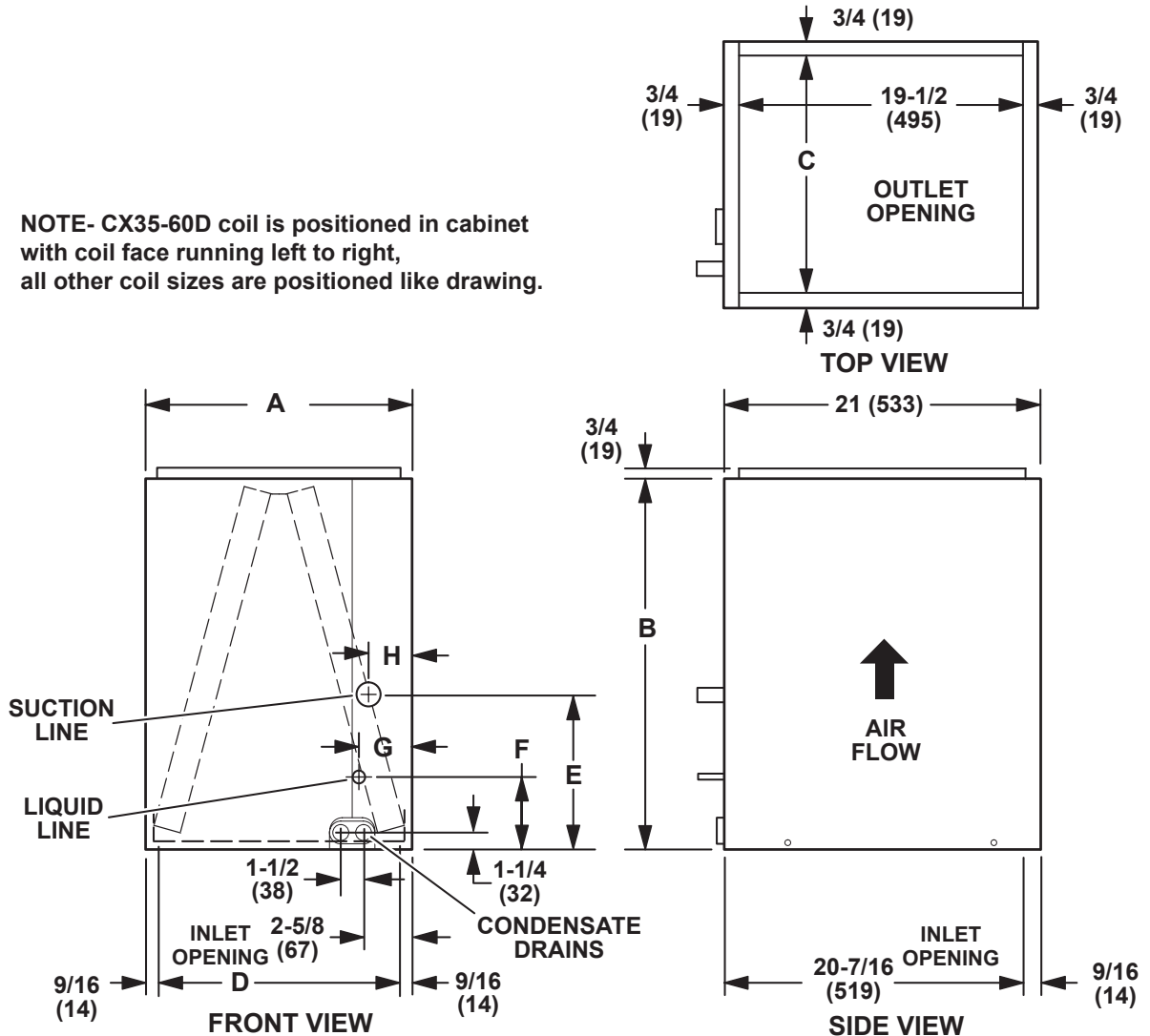


SUBMITTAL DATA - FURNACE/COIL
VPC036H4M-3PD - ML296UH070XV36B / CX35-36B+TDR
Single Zone Lennox REAL Heat Pump

DIMENSIONAL DRAWINGS - INCHES (MM)

CX35-24(A/B), -30(A/B), -48(B/C), -50/60C and -60D Coils

NOTE- CX35-60D coil is positioned in cabinet with coil face running left to right, all other coil sizes are positioned like drawing.



Model Number	A		B		C		D		E		F		G		H	
	in.	mm	in.	mm	in.	mm	in.	mm	in.	mm	in.	mm	in.	mm	in.	mm
CX35-24A-6F	14-1/2	368	18-1/2	470	13	330	13-3/8	340	9-3/4	248	3-5/8	92	2-5/8	66	2-3/8	60
CX35-24B-6F	17-1/2	445	18-1/2	470	16	406	16-3/8	416	9-3/4	248	3-5/8	92	2-5/8	66	2-3/8	60
CX35-30A-6F	14-1/2	368	22-1/2	572	13	330	13-3/8	340	11-1/2	292	3-5/8	92	2-5/8	66	2-3/8	60
CX35-30B-6F	17-1/2	445	22-1/2	572	16	406	16-3/8	416	11-1/2	292	3-5/8	92	2-5/8	66	2-3/8	60
CX35-48B-6F	17-1/2	445	27-1/2	699	16	406	16-3/8	416	12-1/2	318	3-5/8	92	2-5/8	66	2-3/8	60
CX35-48C-6F	21	533	27-1/2	699	19-1/2	495	19-7/8	505	12-1/2	318	3-5/8	92	2-5/8	66	2-3/8	60
CX35-50/60C-6F	21	533	27-1/2	699	19-1/2	495	19-7/8	505	12-1/2	318	3-5/8	92	2-5/8	66	2-3/8	60
CX35-60D-6F	24-1/2	622	29-1/2	749	23	584	23-3/8	594	10	254	3-5/8	92	2-5/8	66	2-3/8	60

NOTE - Due to Lennox' ongoing commitment to quality, Specifications, Ratings and Dimensions subject to change without notice and without incurring liability. Improper installation, adjustment, alteration, service or maintenance can cause property damage or personal injury. Installation and service must be performed by a qualified installer and servicing agency. (496064) 202402 ©2024 Lennox Industries Inc.