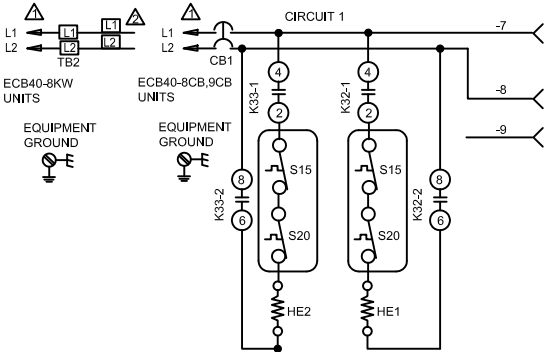


KEY	COMPONENT
CB1	CIRCUIT BREAKER-ELECT HEAT
HE1	ELEMENT-ELECTRIC HEAT 1
HE2	ELEMENT-ELECTRIC HEAT 2
K32-1,2	RELAY-ELECTRIC HEAT
K33-1,2	RELAY-ELECTRIC HEAT
S15	SWITCH-LIMIT PRIMARY ELECT HEAT
S20	SWITCH-LIMIT SECONDARY ELECT HEAT
TB2	TERMINAL STRIP-UNIT

- NOTE: USE COPPER CONDUCTORS ONLY
- ⚠ REFER TO UNIT NAMEPLATE FOR MINIMUM CIRCUIT AMPACITY AND MAXIMUM OVERCURRENT PROTECTION SIZE.
  - ⚠ CONNECT POWER WIRES FROM UNIT LABELED L1 AND L2 TO TB2 TERMINAL STRIP ON HEATER PLATE
  - ⚠ CONNECT WIRES 1 THRU 9 TO P8 (9 PIN CONNECTOR) ON AHC CONTROL



**LENNOX** HEATING-ELECTRIC

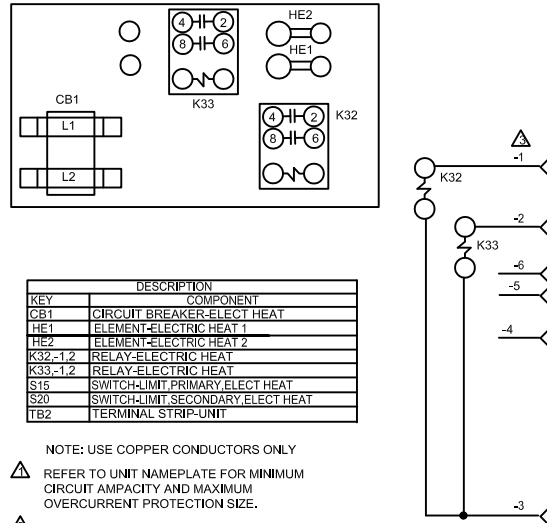
ECB38-8, -8CB, 9CB-P

Supersedes

0118

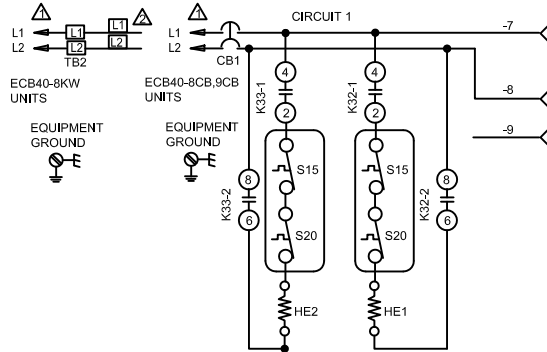
**Form No.**  
**537955-01**

© 2008
Litho U.S.A.



KEY	COMPONENT
CB1	CIRCUIT BREAKER-ELECT HEAT
HE1	ELEMENT-ELECTRIC HEAT 1
HE2	ELEMENT-ELECTRIC HEAT 2
K32-1,2	RELAY-ELECTRIC HEAT
K33-1,2	RELAY-ELECTRIC HEAT
S15	SWITCH-LIMIT PRIMARY ELECT HEAT
S20	SWITCH-LIMIT SECONDARY ELECT HEAT
TB2	TERMINAL STRIP-UNIT

- NOTE: USE COPPER CONDUCTORS ONLY
- ⚠ REFER TO UNIT NAMEPLATE FOR MINIMUM CIRCUIT AMPACITY AND MAXIMUM OVERCURRENT PROTECTION SIZE.
  - ⚠ CONNECT POWER WIRES FROM UNIT LABELED L1 AND L2 TO TB2 TERMINAL STRIP ON HEATER PLATE
  - ⚠ CONNECT WIRES 1 THRU 9 TO P8 (9 PIN CONNECTOR) ON AHC CONTROL



**LENNOX** HEATING-ELECTRIC

ECB38-8, -8CB, 9CB-P

Supersedes

0118

**Form No.**  
**537955-01**

© 2008
Litho U.S.A.