

ROOFTOP UNIT KITS AND ACCESSORIES

507533-01
6/2023
Supersedes 6/2015

TRANSITION KIT

INSTALLATION INSTRUCTIONS FOR TRANSITION KIT USED WITH LG/LC/LH/LD/KG/KC/KH156-360 UNITS

Shipping and Packing List

Package 1 of 1 contains:

- 1- Supply air transition
- 1- Return air transition
- 1- Support

Application

The supply and return air transitions are used in downflow applications. The transitions convert unit supply and return air openings to match FD11 and RTD11 diffusers. See table 1.

Installation

- 1- Discard all but the longest supply and return air brace provided with the roof mounting frame. All braces are used only when custom ductwork is installed.
- 2- Install the supply and return air braces as shown in figure 4.
- 3- Install transitions in the roof mounting frame before setting unit on frame.

⚠ CAUTION

Danger of sharp metallic edges. Can cause injury. Take care when servicing unit to avoid accidental contact with sharp edges.

⚠ WARNING

To prevent serious injury or death:

- 1 Lock-out/tag-out before performing maintenance.
- 2 If system power is required (e.g., smoke detector maintenance), disable power to blower, remove fan belt where applicable, and ensure all controllers and thermostats are set to the "OFF" position before performing maintenance.
- 3 Always keep hands, hair, clothing, jewelry, tools, etc., away from moving parts.

⚠ WARNING

Improper installation, adjustment, alteration, service or maintenance can cause property damage, personal injury or loss of life. Installation and service must be performed by a qualified installer, service agency or the gas supplier

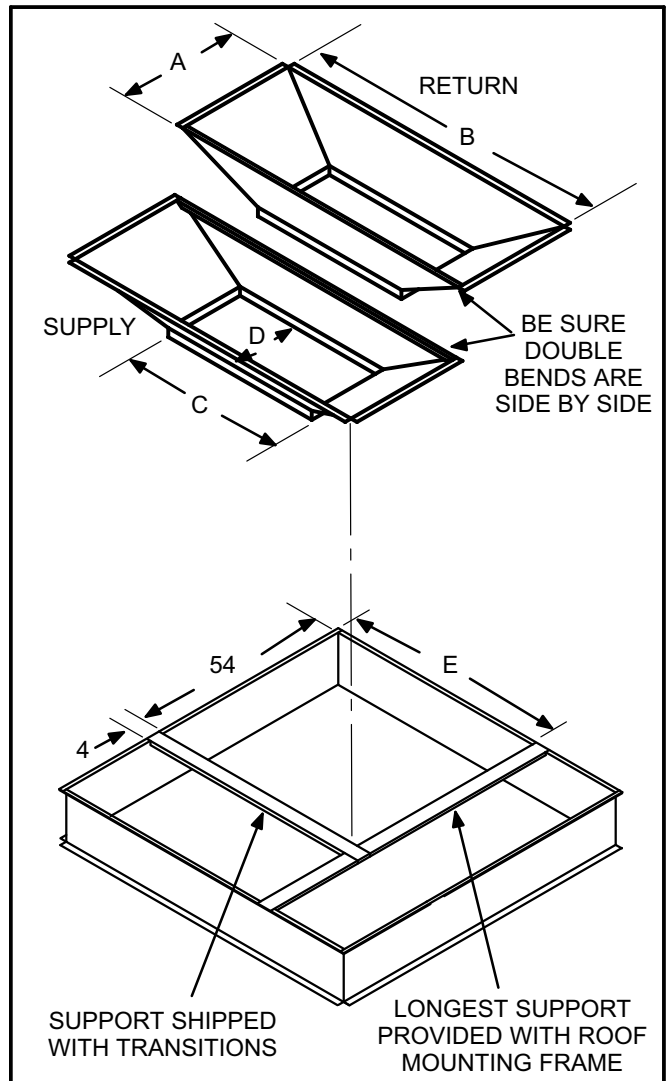


FIGURE 4

TABLE 1

Cat #	Model #	Unit	A	B	C	D	E
12X68; 104508-01	C1DIFF33C-1	LG/LC/LH/LD/KG/KC/KH 156, 180	26-1/2	69-1/4	36	18	69-3/4
12X70; 104509-01	C1DIFF34C-1	LG/LC/LH/LD/KG/KC/KH 210, 240			48	24	
33K80; 33K8001	LASRT 30/36	LG/LC 300, 360		80-3/4	60	28	81-1/4

